



US00D763769S

(12) **United States Design Patent**
Johnson

(10) **Patent No.:** **US D763,769 S**
(45) **Date of Patent:** **** Aug. 16, 2016**

(54) **AUTOMOTIVE WHEEL**

(71) Applicant: **Kelly R. Johnson**, City of Industry, CA (US)

(72) Inventor: **Kelly R. Johnson**, City of Industry, CA (US)

(73) Assignee: **THE WHEEL GROUP**, City of Industry, CA (US)

(**) Term: **15 Years**

(21) Appl. No.: **29/532,977**

(22) Filed: **Jul. 13, 2015**

(51) **LOC (10) Cl.** **12-16**

(52) **U.S. Cl.**
USPC **D12/211**

(58) **Field of Classification Search**
USPC D12/204–213
CPC B60B 7/00; B60B 7/02; B60B 7/04;
B60B 7/01; B60B 7/06; B60B 3/02; B60B 3/04;
B60B 3/06; B60B 3/10; B60B 1/00;
B60B 1/08; B60B 1/10; B60B 1/12
See application file for complete search history.

(56) **References Cited**

U.S. PATENT DOCUMENTS

D423,445 S * 4/2000 Baumgartner D12/211
D428,380 S * 7/2000 Chinellato D12/211

D486,110 S * 2/2004 Elmitt D12/211
D514,496 S * 2/2006 Neeper D12/211
D539,723 S * 4/2007 Musser D12/211
D612,789 S * 3/2010 Tant D12/211
D623,999 S * 9/2010 Holstein D12/211
D629,347 S * 12/2010 Kim D12/211
D639,221 S * 6/2011 Johnson D12/209
D653,598 S * 2/2012 Zhao D12/211
D659,069 S * 5/2012 Johnson D12/211
D671,483 S * 11/2012 Chung D12/211
D698,300 S * 1/2014 Chung D12/211
D706,193 S * 6/2014 Lee D12/209
D715,208 S * 10/2014 Grake D12/204
D721,318 S * 1/2015 Kim D12/211
D730,262 S * 5/2015 Wagener D12/211
D744,933 S * 12/2015 Holstein D12/211

* cited by examiner

Primary Examiner — Stacia Cadmus

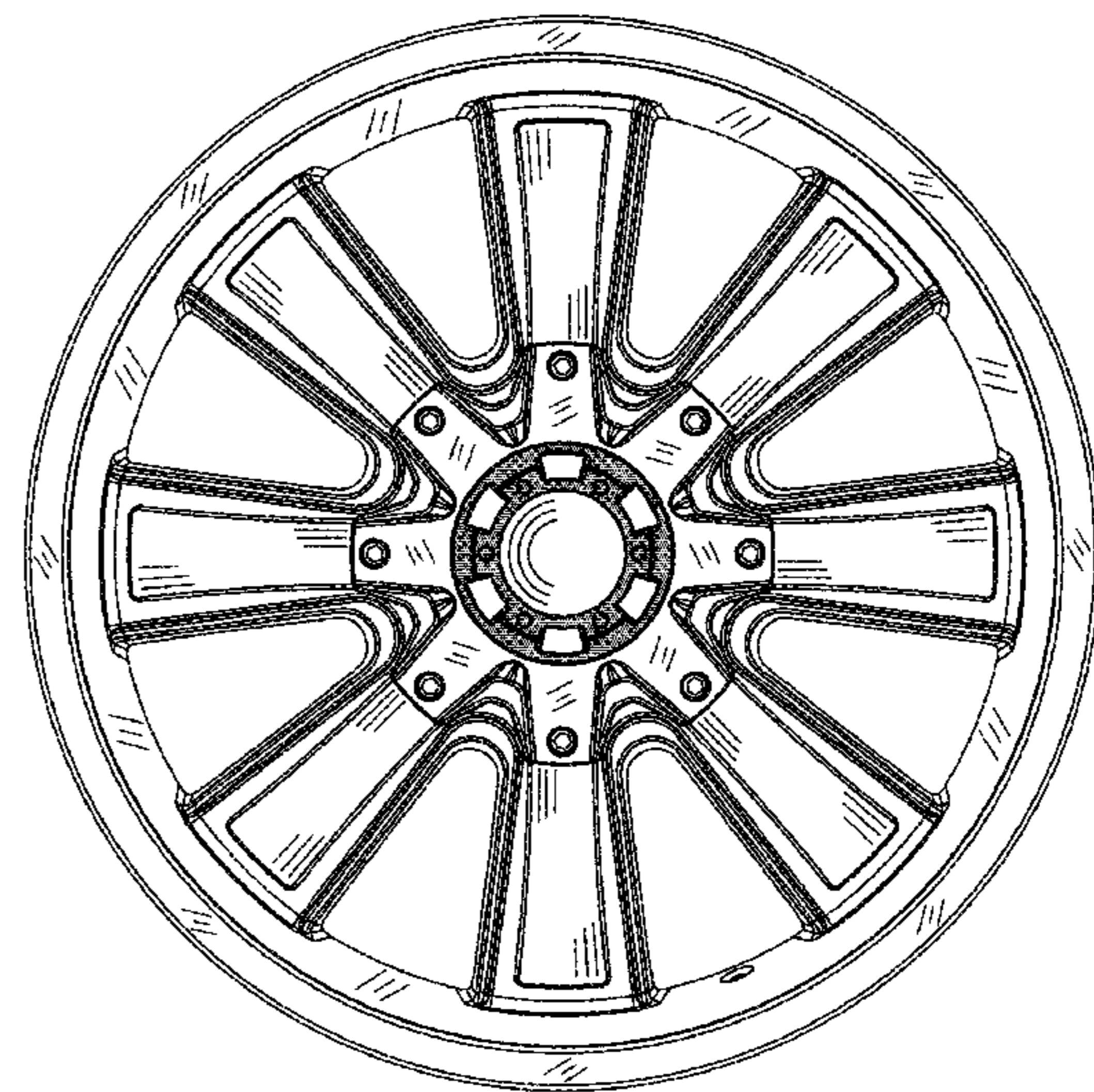
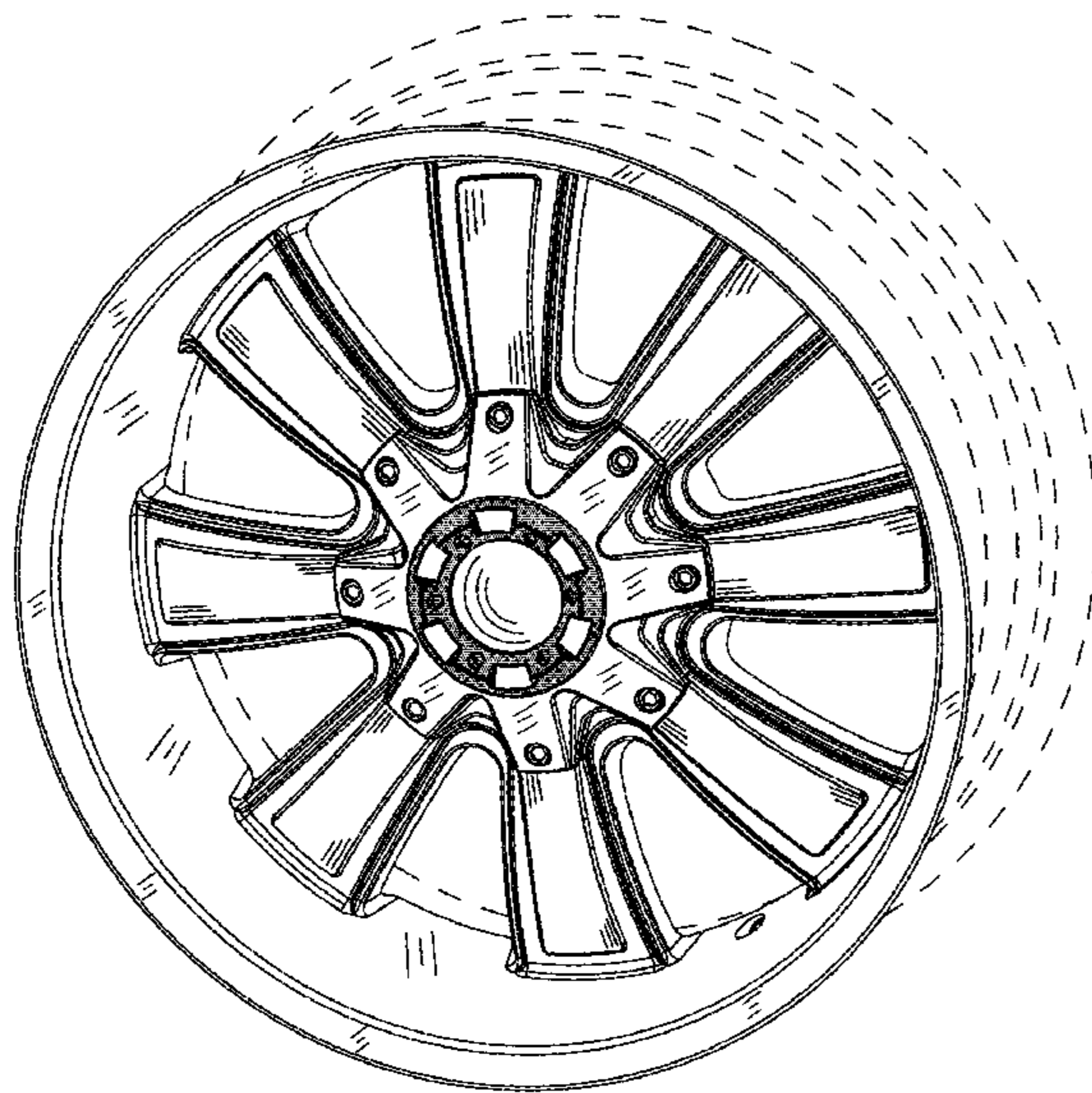
(57) **CLAIM**

The ornamental design for an automotive wheel, as show and described.

DESCRIPTION

FIG. 1 is a perspective view of an automotive wheel showing my new design; and, FIG. 2 is a front elevational view thereof. The broken line showing of the rear portion of the rim is included for the purpose of illustrating environment and forms no part of the claimed design.

1 Claim, 2 Drawing Sheets



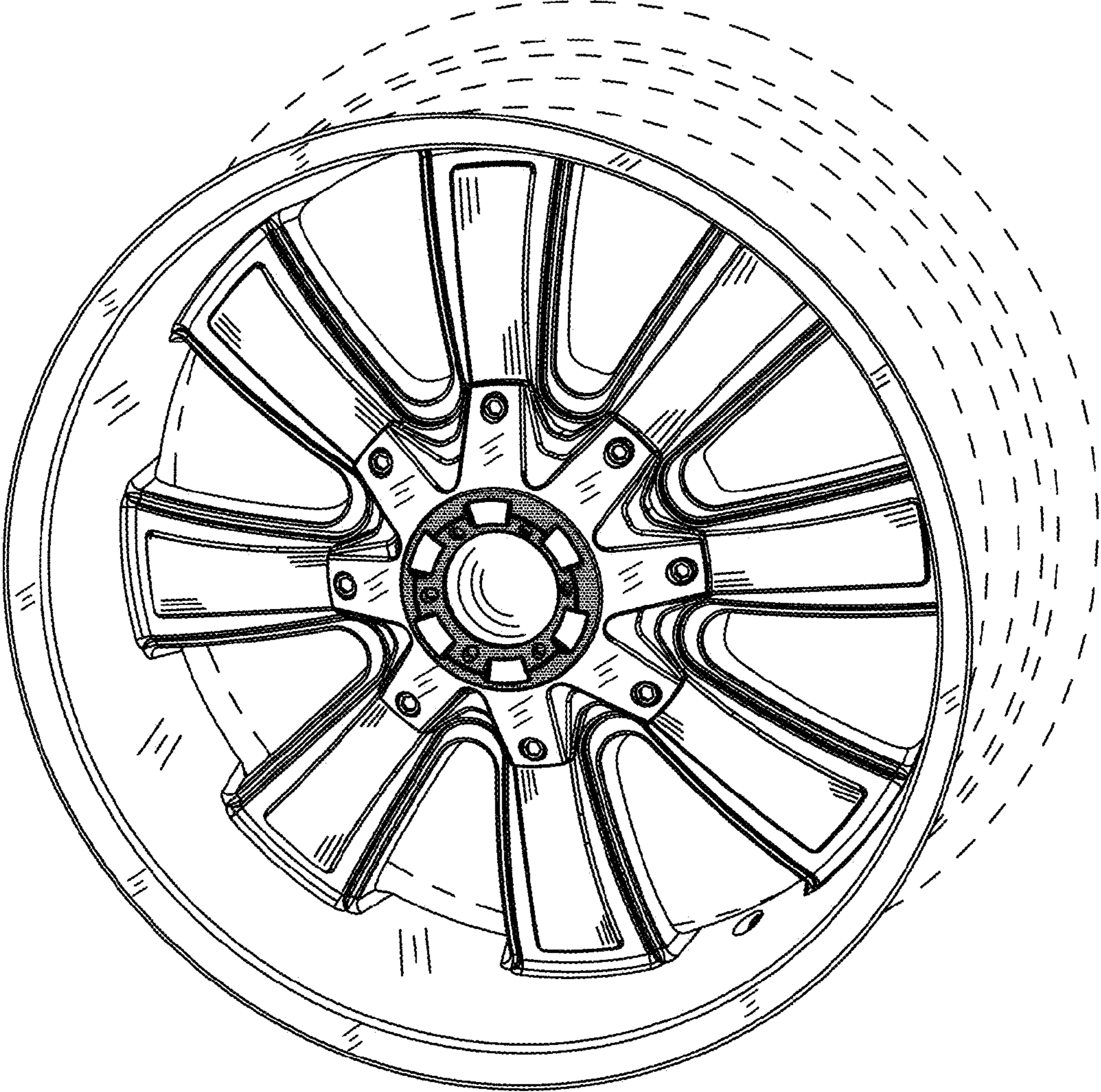


FIG.1

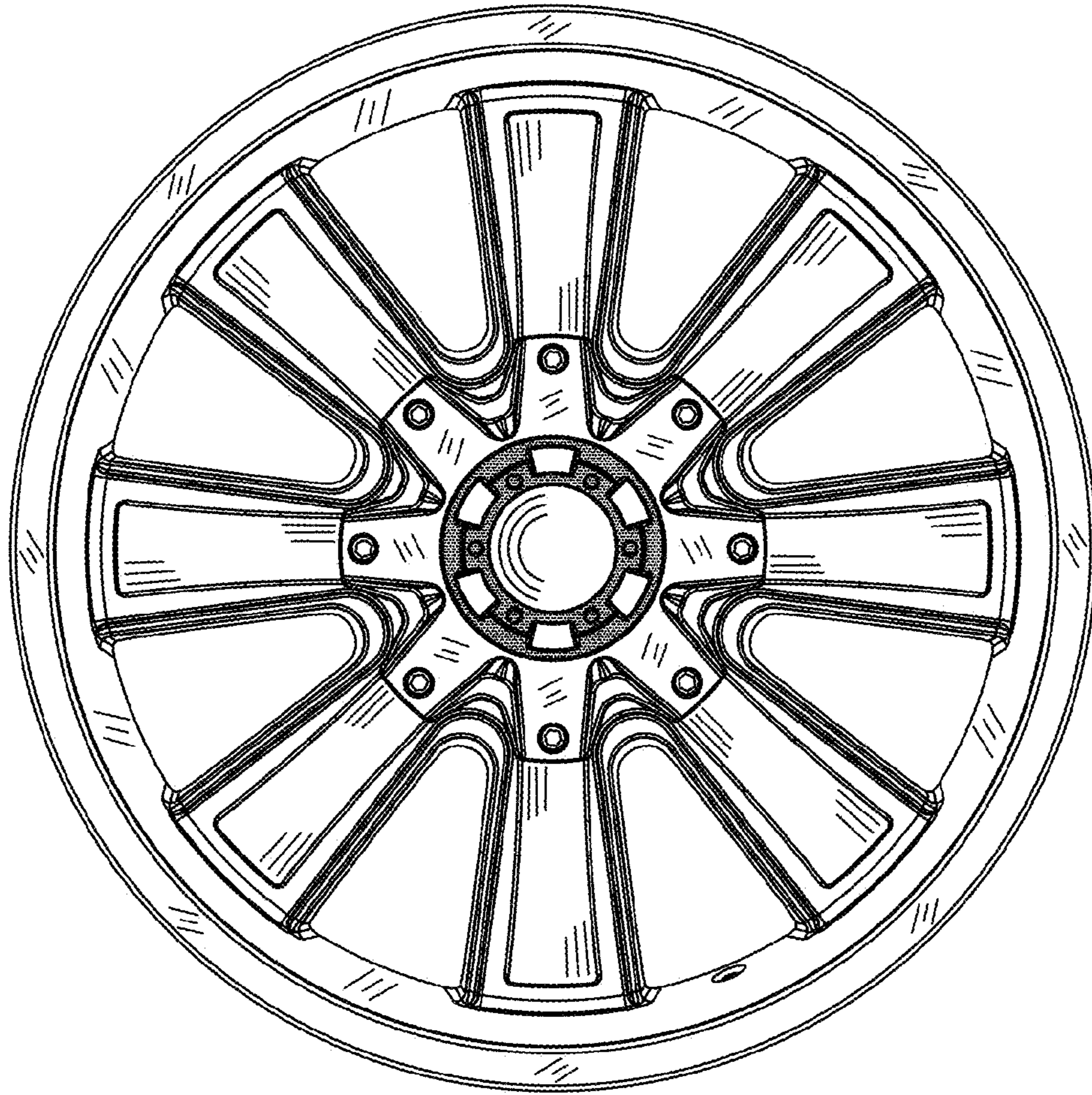


FIG.2