



US00D763766S

(12) **United States Design Patent**  
**Alfonso**

(10) **Patent No.:** **US D763,766 S**  
(45) **Date of Patent:** **\*\* Aug. 16, 2016**

(54) **AUTOMOBILE WHEEL**

(71) Applicant: **Direct Wheel Inc.**, City of Industry, CA (US)

(72) Inventor: **Ernie R. Alfonso**, Corona, CA (US)

(73) Assignee: **Direct Wheel Inc.**, City of Industry, CA (US)

(\*\*) Term: **14 Years**

(21) Appl. No.: **29/508,268**

(22) Filed: **Nov. 4, 2014**

(51) **LOC (10) Cl.** ..... **12-16**

(52) **U.S. Cl.**  
USPC ..... **D12/211**

(58) **Field of Classification Search**  
USPC ..... D12/204–213  
CPC ..... B60B 7/00; B60B 7/02; B60B 7/04;  
B60B 7/01; B60B 7/06; B60B 3/02; B60B  
3/04; B60B 3/06; B60B 3/10; B60B 1/00;  
B60B 1/08; B60B 1/10; B60B 1/12  
See application file for complete search history.

(56) **References Cited**

**U.S. PATENT DOCUMENTS**

D344,924 S *	3/1994	Braungart	.....	D12/211
D450,649 S *	11/2001	Penzes	.....	D12/211
D457,119 S *	5/2002	Braun	.....	D12/211
D504,101 S *	4/2005	Pfeiffer	.....	D12/211
D520,933 S *	5/2006	Pfeiffer	.....	D12/211
D522,950 S *	6/2006	Pfeiffer	.....	D12/211
D560,589 S *	1/2008	Celik	.....	D12/211
D576,095 S *	9/2008	Chung	.....	D12/211
D595,202 S *	6/2009	Spoerle	.....	D12/211

D617,253 S *	6/2010	Zhao	.....	D12/211
D618,155 S *	6/2010	Zhao	.....	D12/211
D638,765 S *	5/2011	Yoon	.....	D12/211
D655,233 S *	3/2012	Alfonso	.....	D12/211
D658,105 S *	4/2012	Hans	.....	D12/211
D684,915 S *	6/2013	Zhao	.....	D12/211
D722,547 S *	2/2015	Zhao	.....	D12/211
D723,992 S	3/2015	Zhao		
D723,993 S	3/2015	Zhao		
D723,995 S	3/2015	Zhao		
D723,996 S	3/2015	Zhao		
D726,621 S	4/2015	Alfonso		
D731,391 S	6/2015	Zhao		
D741,775 S	10/2015	Zhao		
D741,776 S	10/2015	Zhao		
D749,486 S *	2/2016	Huang	.....	D12/211

**OTHER PUBLICATIONS**

Search Results for IN/ernie AND IN/alfonso on Dec. 21, 2014.  
Search results of IN/john AND TTL/wheel AND IN/zhao on Dec. 19, 2014.

\* cited by examiner

*Primary Examiner* — Stacia Cadmus

(74) *Attorney, Agent, or Firm* — Payam Moradian

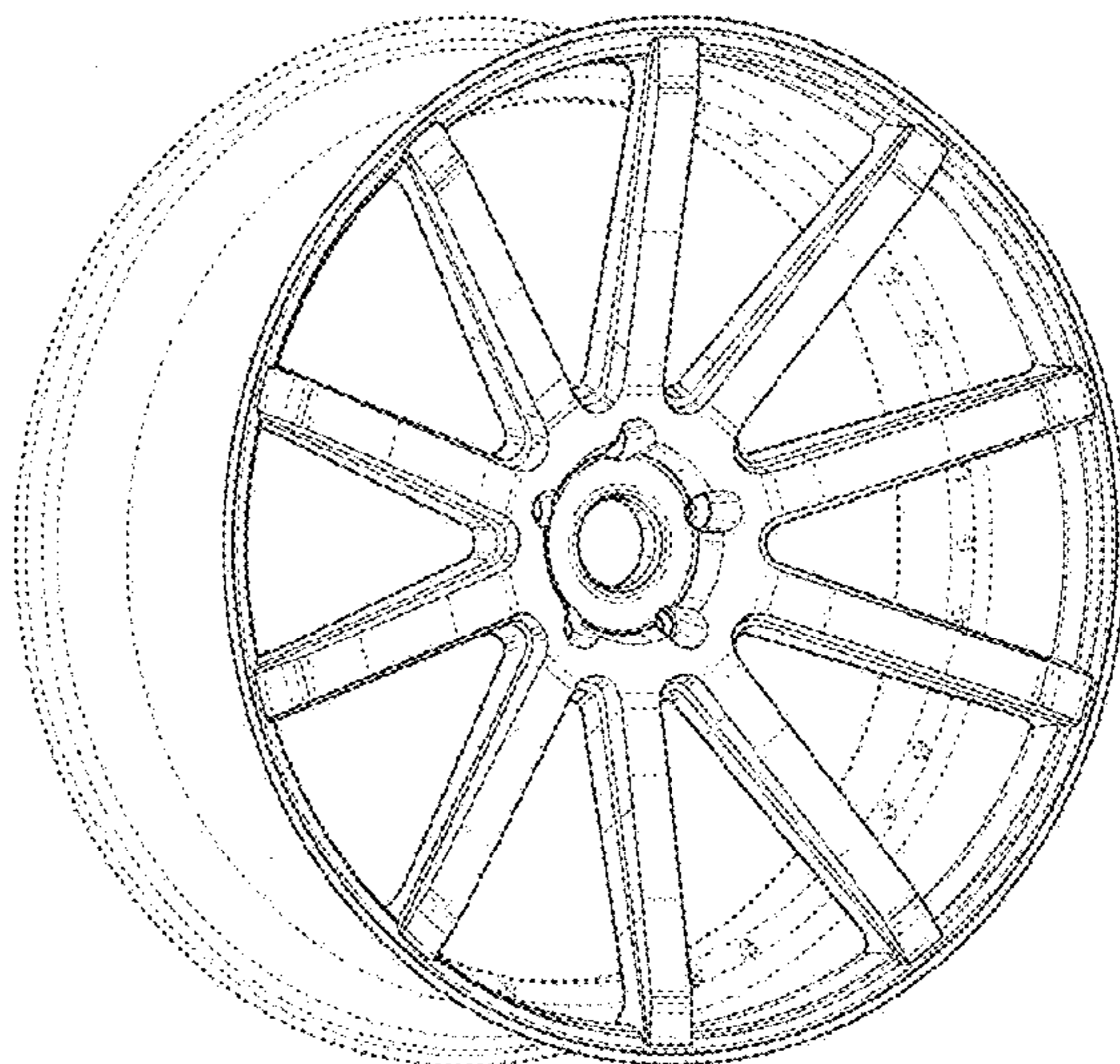
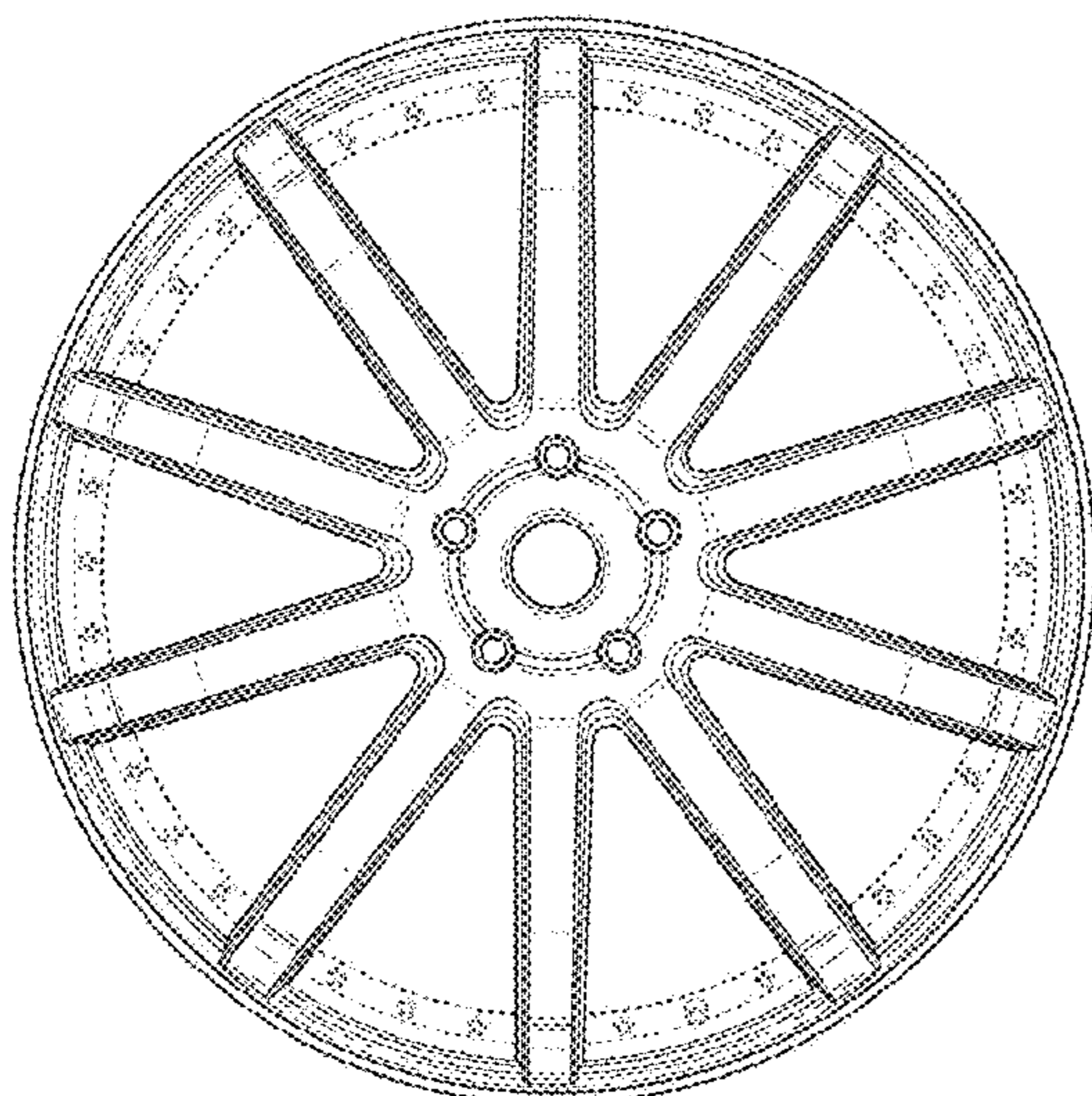
(57) **CLAIM**

I claim the ornamental design for an automobile wheel, as shown and described.

**DESCRIPTION**

FIG. 1 is a front elevational view of an automobile wheel; and, FIG. 2 is a perspective view thereof. The broken line showing of the rear portion of the automobile wheel is included for the purpose of illustrating environment and forms no part of the claimed design.

**1 Claim, 2 Drawing Sheets**





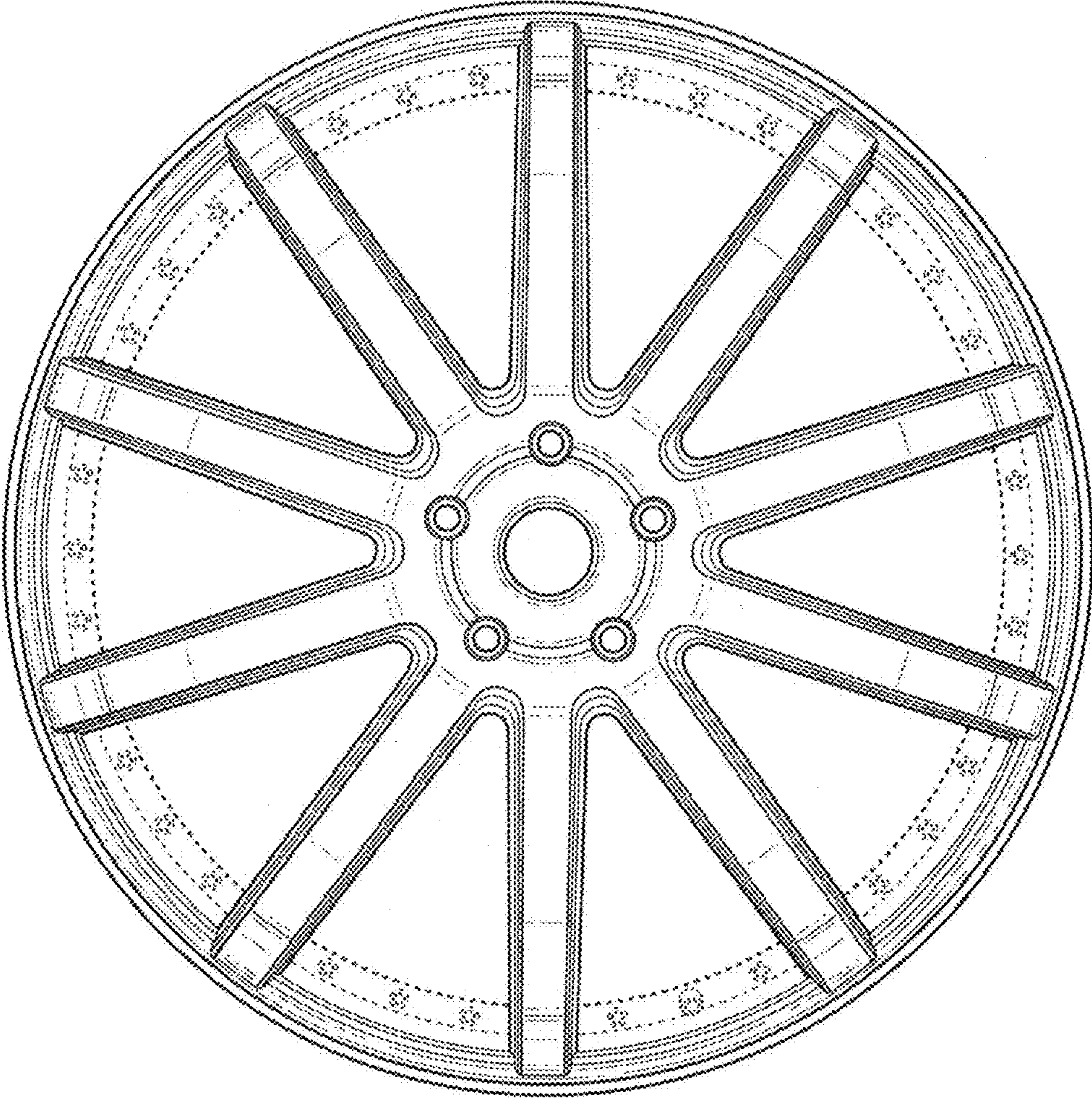


FIG. 1

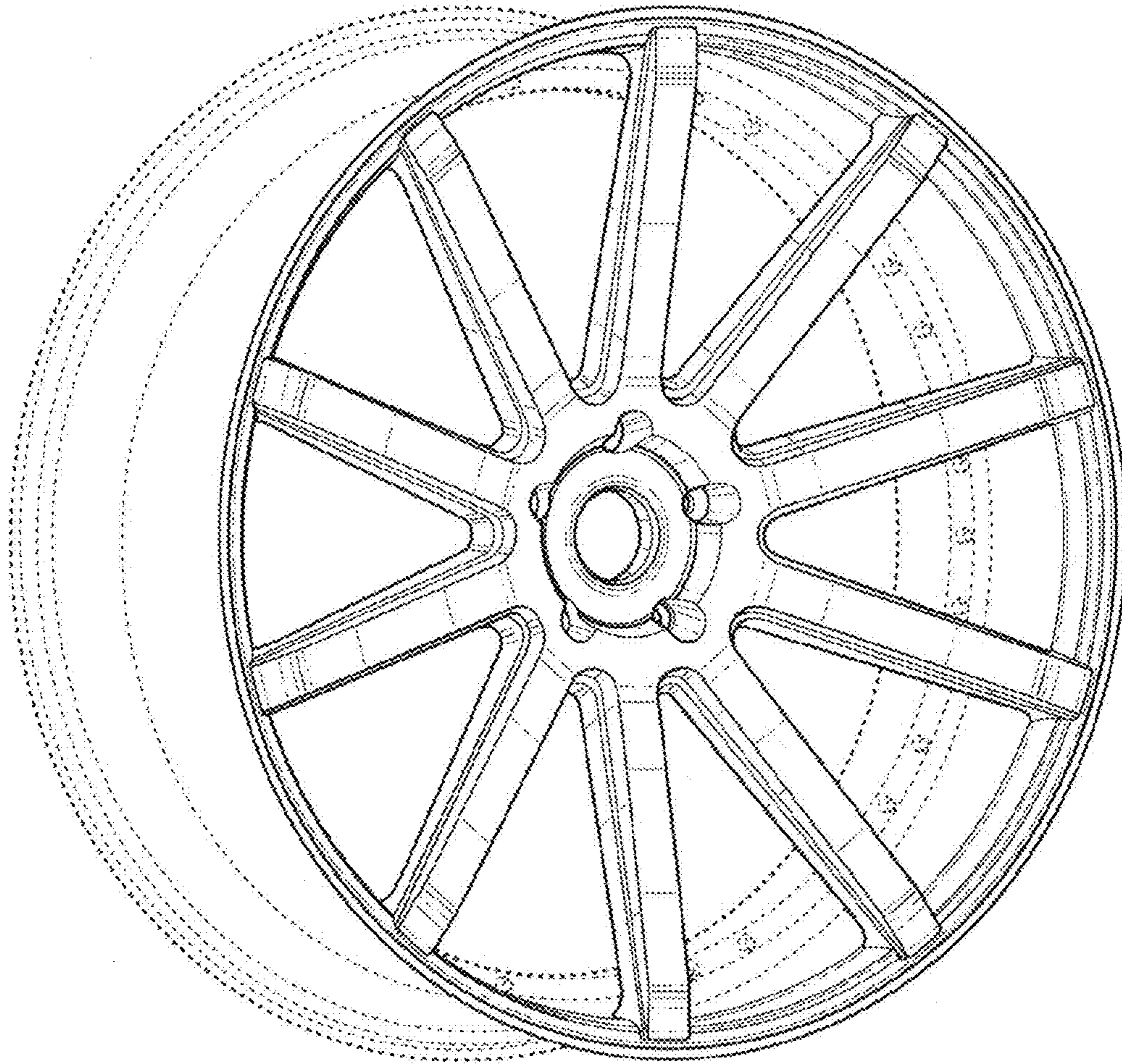


FIG. 2