



US00D763765S

(12) **United States Design Patent**
Boyd

(10) **Patent No.:** **US D763,765 S**

(45) **Date of Patent:** **** Aug. 16, 2016**

(54) **WHEEL**

(71) Applicant: **Lawrence Boyd**, Springfield, MO (US)

(72) Inventor: **Lawrence Boyd**, Springfield, MO (US)

(**) Term: **14 Years**

(21) Appl. No.: **29/506,105**

(22) Filed: **Oct. 13, 2014**

(51) **LOC (10) Cl.** **12-16**

(52) **U.S. Cl.**
USPC **D12/211**

(58) **Field of Classification Search**
USPC D12/204–213

CPC B60B 7/00; B60B 7/02; B60B 7/04;
B60B 7/01; B60B 7/06; B60B 3/02; B60B
3/04; B60B 3/06; B60B 3/10; B60B 1/00;
B60B 1/08; B60B 1/10; B60B 1/12

See application file for complete search history.

(56) **References Cited**

U.S. PATENT DOCUMENTS

D375,075 S * 10/1996 Kugler D12/209
D408,777 S * 4/1999 Chung D12/211

D423,441 S * 4/2000 Bildhaeuser D12/209
D455,702 S * 4/2002 Cullen D12/211
D524,218 S * 7/2006 Madden D12/211
D578,456 S * 10/2008 Miyazawa D12/211
D658,560 S * 5/2012 Thurner D12/209
D669,010 S * 10/2012 Nakano D12/211

* cited by examiner

Primary Examiner — Stacia Cadmus

(74) *Attorney, Agent, or Firm* — Donn K. Harms

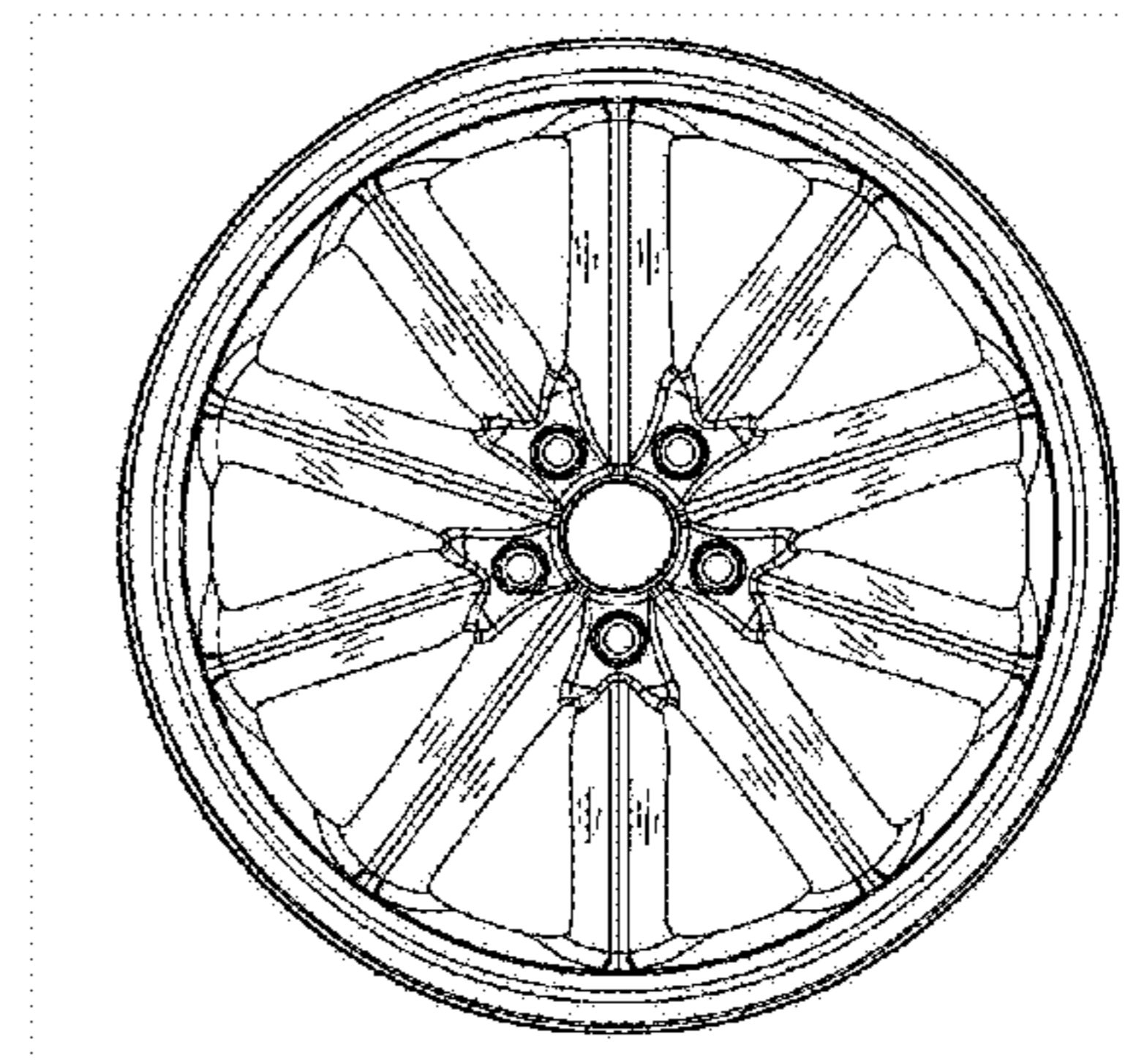
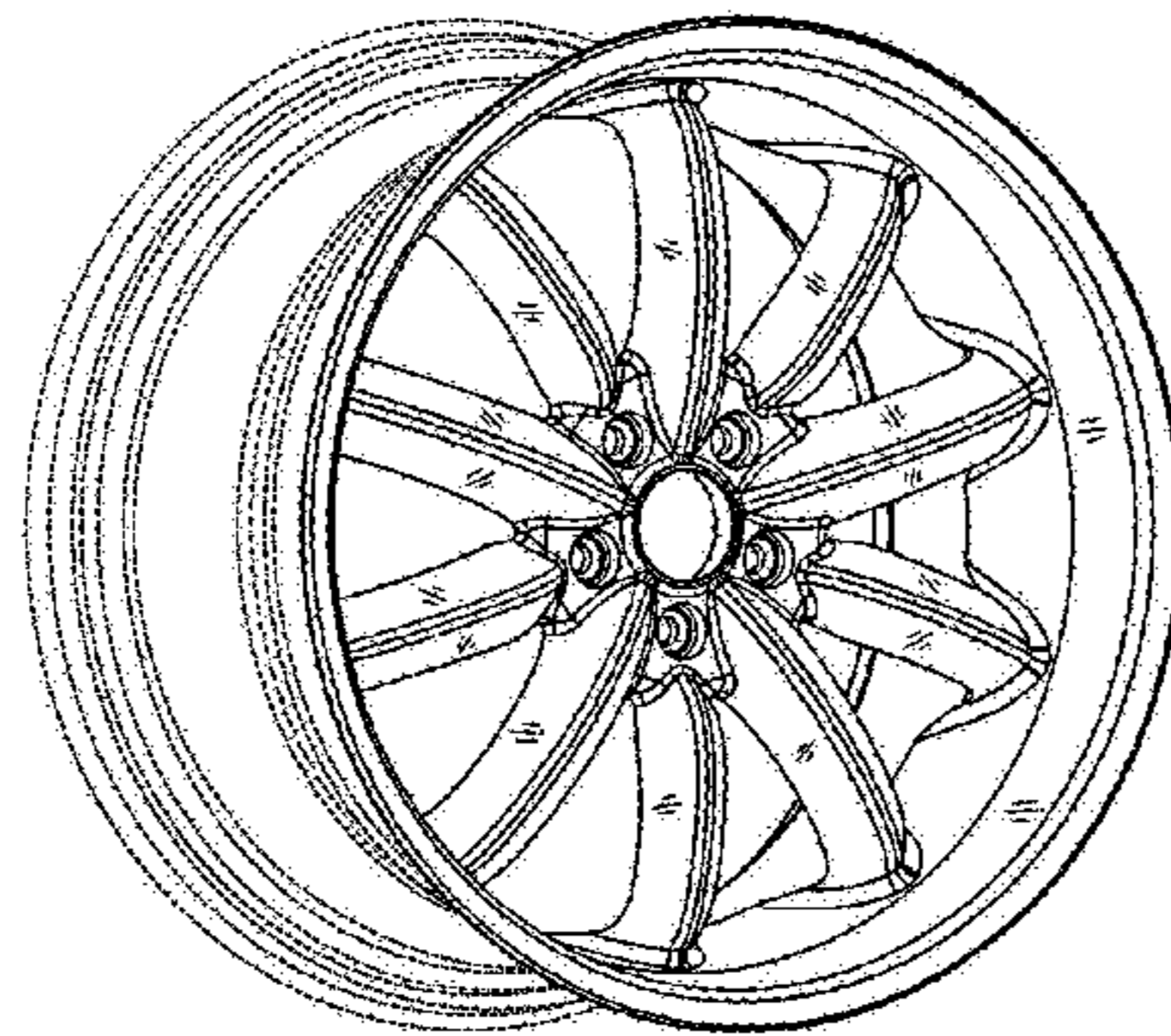
(57) **CLAIM**

The ornamental design for a wheel, as shown and described.

DESCRIPTION

FIG. 1 is a front perspective view of the wheel; and, FIG. 2 is a front view of the wheel, it being understood that the ornamental design of FIGS. 1 and 2 are not expressed in top, bottom and side views and thus they are omitted, the circumferentially outwardly disposed areas of the inside of the rim are shown for illustrative purposes only and forming no part of the claimed design. The broken line showing of the rear portion of the wheel rim is included for the purpose of illustrating environment and forms no part of the claimed design.

1 Claim, 1 Drawing Sheet



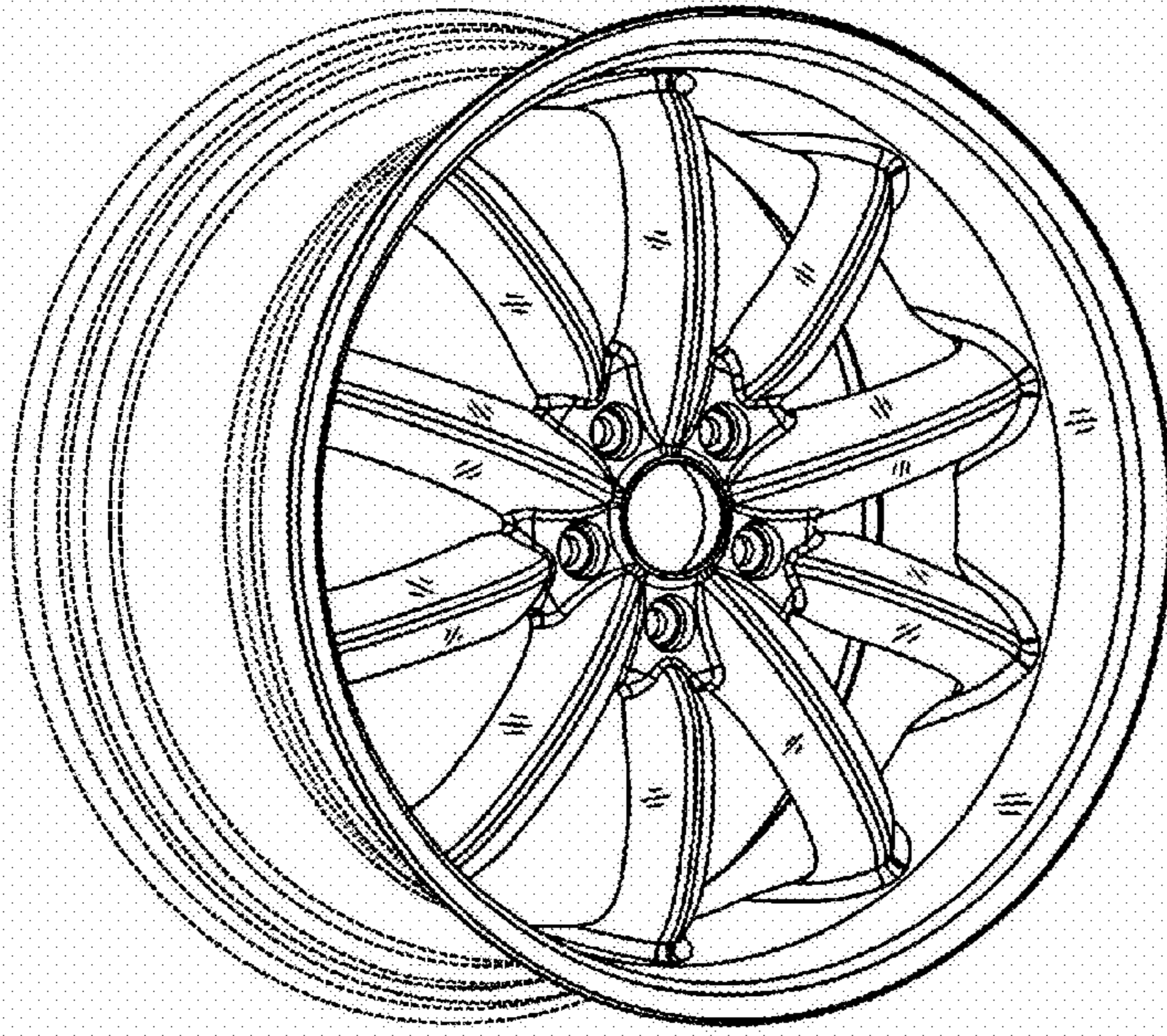


Fig. 1

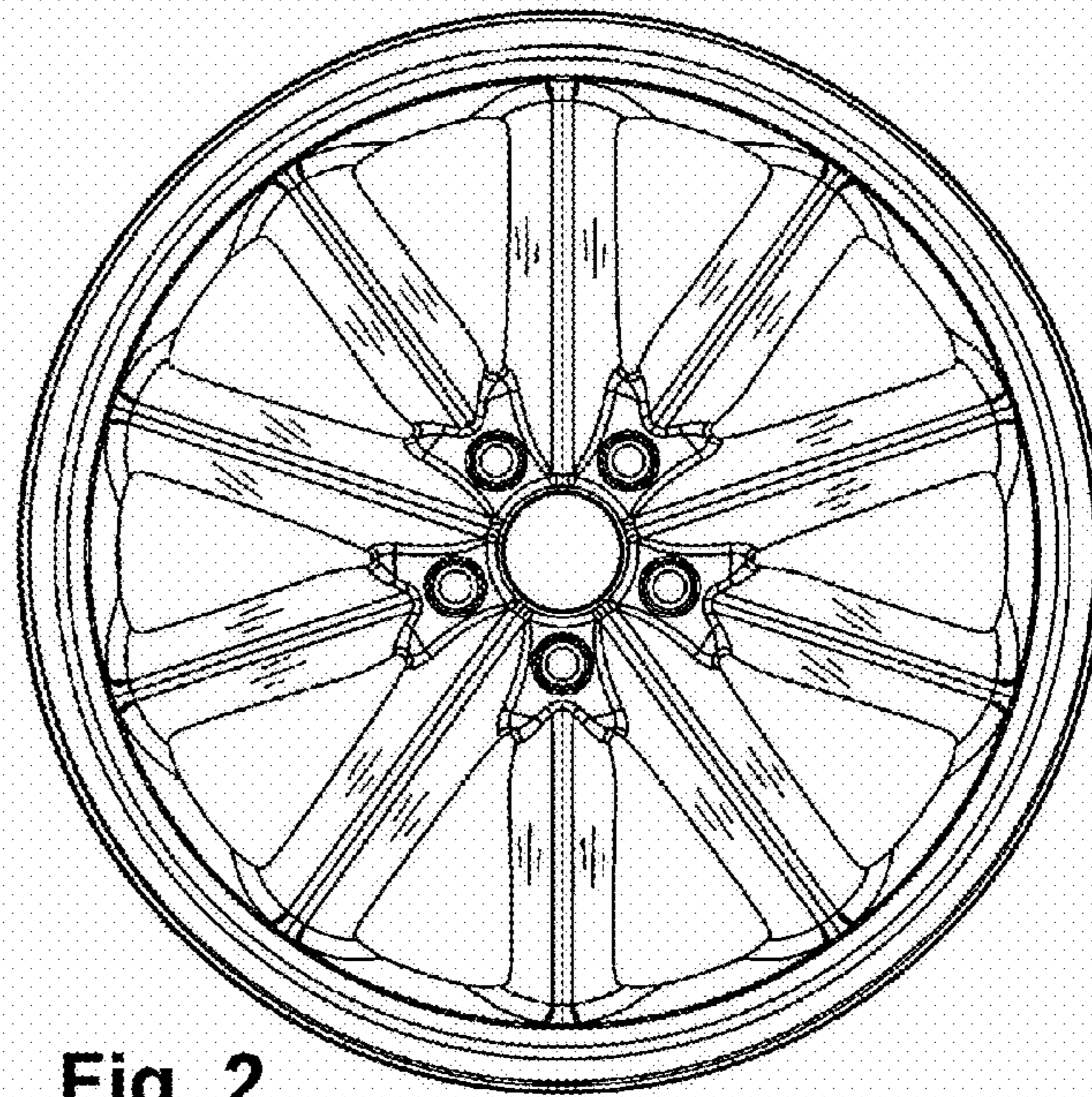


Fig. 2