



US00D763763S

(12) **United States Design Patent**
Stone et al.

(10) **Patent No.:** **US D763,763 S**

(45) **Date of Patent:** **** Aug. 16, 2016**

(54) **AUTOMOBILE WHEEL**

(71) Applicants: **Nicholas Ren Stone**, Royal Oak, MI (US); **Nicholas Vardis**, Sylvan Lake, MI (US); **Mark C Trostle**, Rochester, MI (US)

(72) Inventors: **Nicholas Ren Stone**, Royal Oak, MI (US); **Nicholas Vardis**, Sylvan Lake, MI (US); **Mark C Trostle**, Rochester, MI (US)

(73) Assignee: **FCA US LLC**, Auburn Hills, MI (US)

(**) Term: **15 Years**

(21) Appl. No.: **29/531,218**

(22) Filed: **Jun. 24, 2015**

(51) **LOC (10) Cl.** **12-16**

(52) **U.S. Cl.**
USPC **D12/209**

(58) **Field of Classification Search**
USPC D12/204–213
CPC B60B 7/00; B60B 7/02; B60B 7/04; B60B 7/01; B60B 7/06; B60B 3/02; B60B 3/04; B60B 3/06; B60B 3/10; B60B 1/00; B60B 1/08; B60B 1/10; B60B 1/12
See application file for complete search history.

(56) **References Cited**

U.S. PATENT DOCUMENTS

D469,048 S *	1/2003	van Hooydonk	D12/209
D504,648 S *	5/2005	Pfeiffer	D12/209
D510,554 S *	10/2005	Markefka	D12/211
D538,216 S *	3/2007	Sycha	D12/209
D567,167 S *	4/2008	Forster	D12/211
D582,331 S *	12/2008	Blasi	D12/209

D621,317 S *	8/2010	Antoniadis	D12/209
D635,904 S *	4/2011	Futschik	D12/209
D639,716 S *	6/2011	Juergens	D12/211
D641,679 S	7/2011	Vardis		
D644,588 S *	9/2011	Schweizer	D12/211
D651,956 S *	1/2012	Ectors	D12/209
D669,008 S *	10/2012	von Holzhausen	D12/211
D672,700 S *	12/2012	Kuninari	D12/209
D673,093 S *	12/2012	Platto	D12/209
D688,181 S *	8/2013	Gotschke	D12/209
D723,988 S *	3/2015	Kito	D12/209
D741,237 S *	10/2015	Furst	D12/209
D751,019 S *	3/2016	Behmer	D12/211
D751,020 S *	3/2016	Mahoney	D12/211
D753,044 S *	4/2016	Mielke	D12/209
D755,691 S *	5/2016	Gardavsky	D12/209

OTHER PUBLICATIONS

U.S. Appl. No. 29/517,193, filed Feb. 11, 2015, Rolfs, et al.
U.S. Appl. No. 29/517,192, Feb. 11, 2015, Hubers, et al.

* cited by examiner

Primary Examiner — Stacia Cadmus

(74) *Attorney, Agent, or Firm* — Ralph E Smith

(57) **CLAIM**

The ornamental design for an automobile wheel, as shown and described.

DESCRIPTION

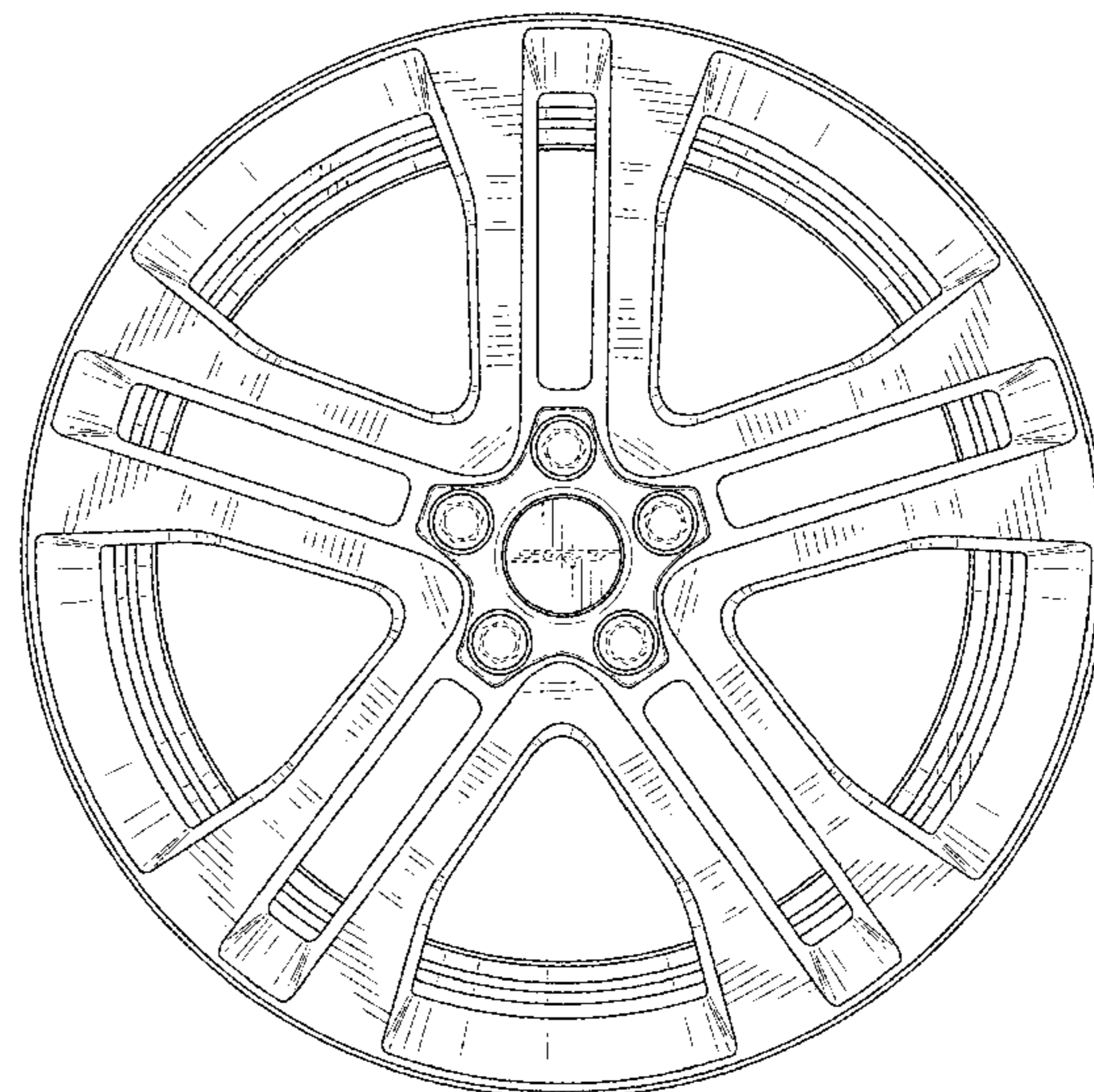
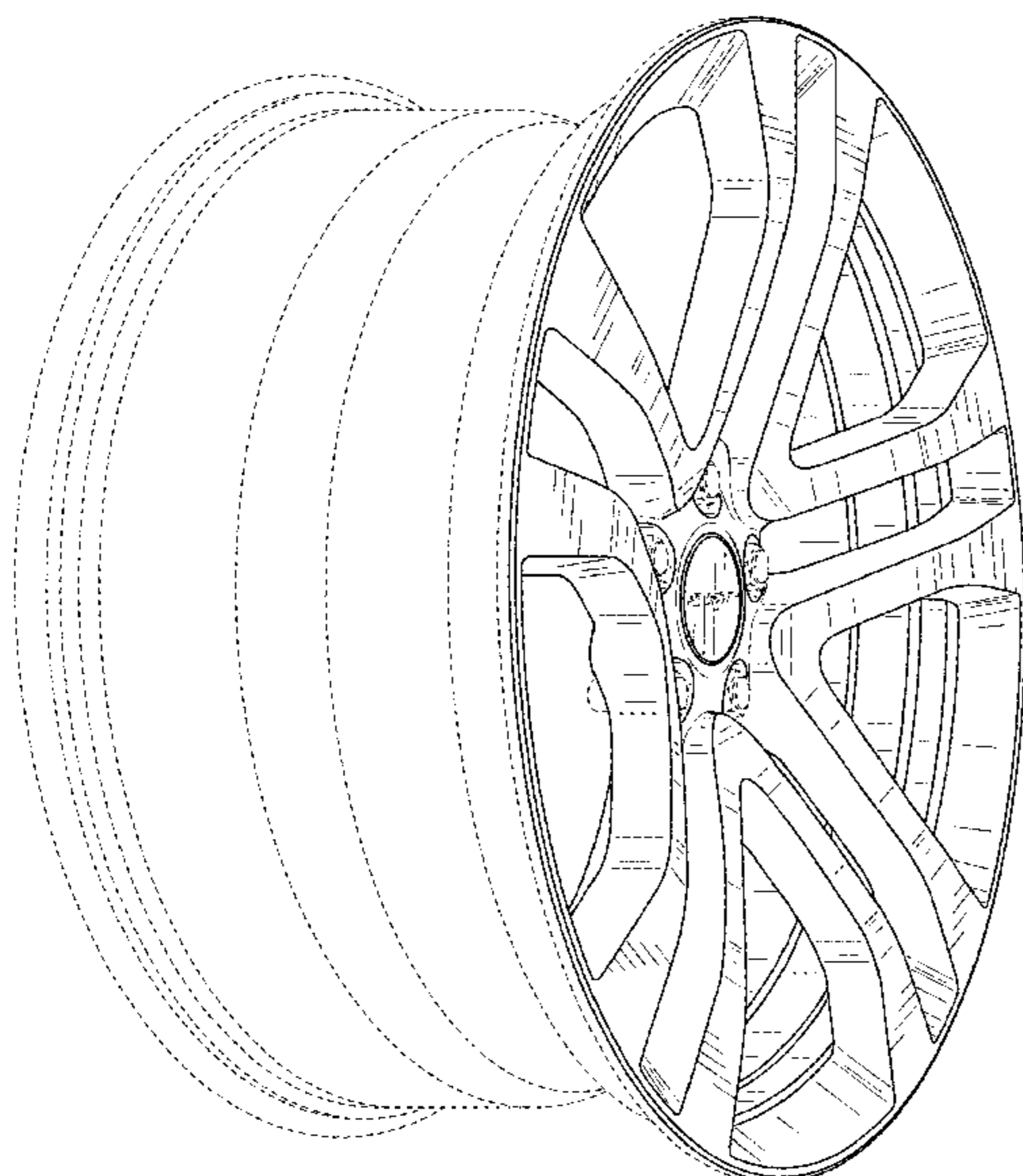
FIG. 1 is a left side perspective view of an automobile wheel showing the new design;

FIG. 2 is a right side perspective view thereof; and,

FIG. 3 is a front view.

It will be understood that the broken lines shown in the drawings illustrate portions of the automobile wheel that form no part of claimed design.

1 Claim, 3 Drawing Sheets



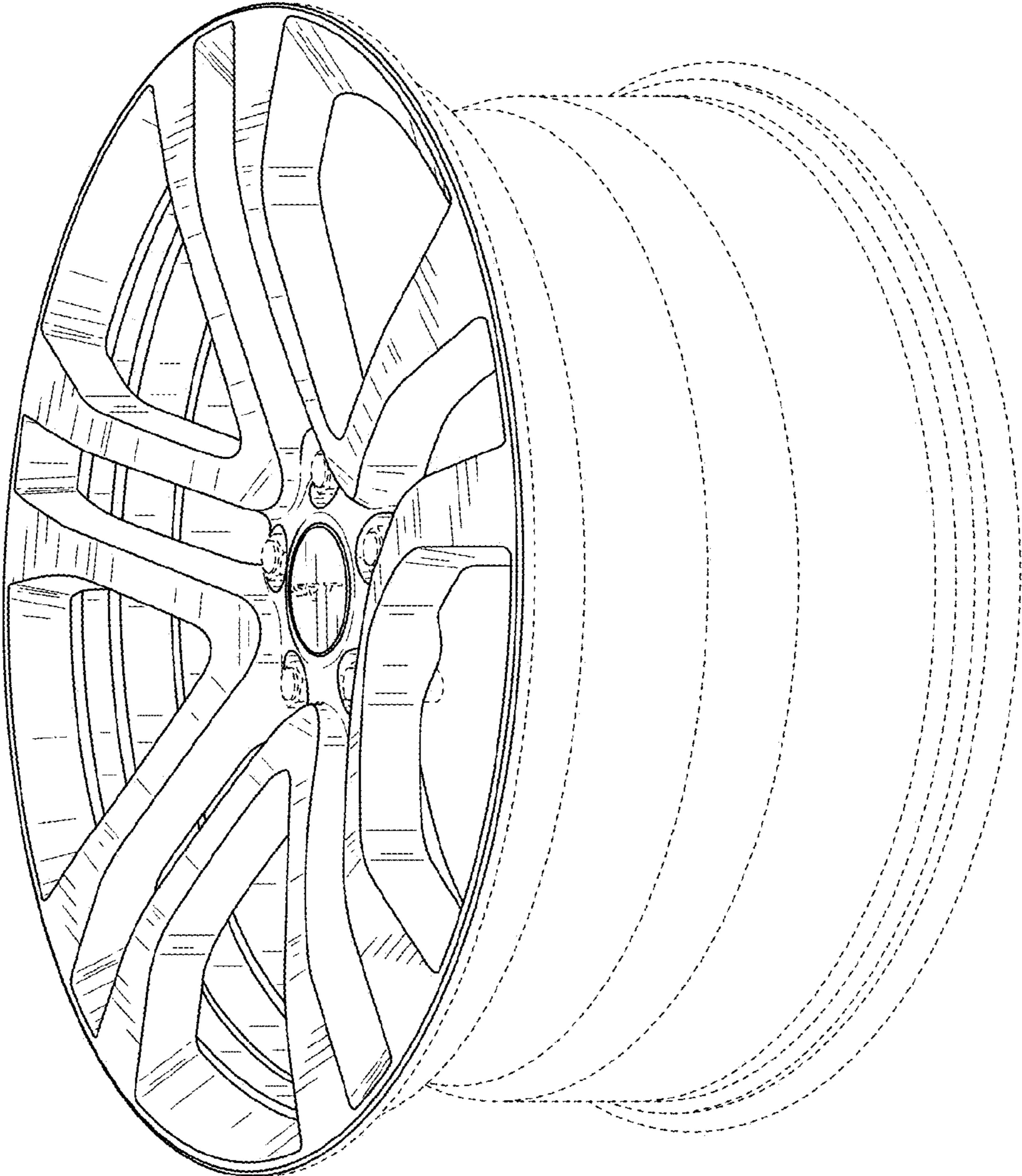


FIG. 1

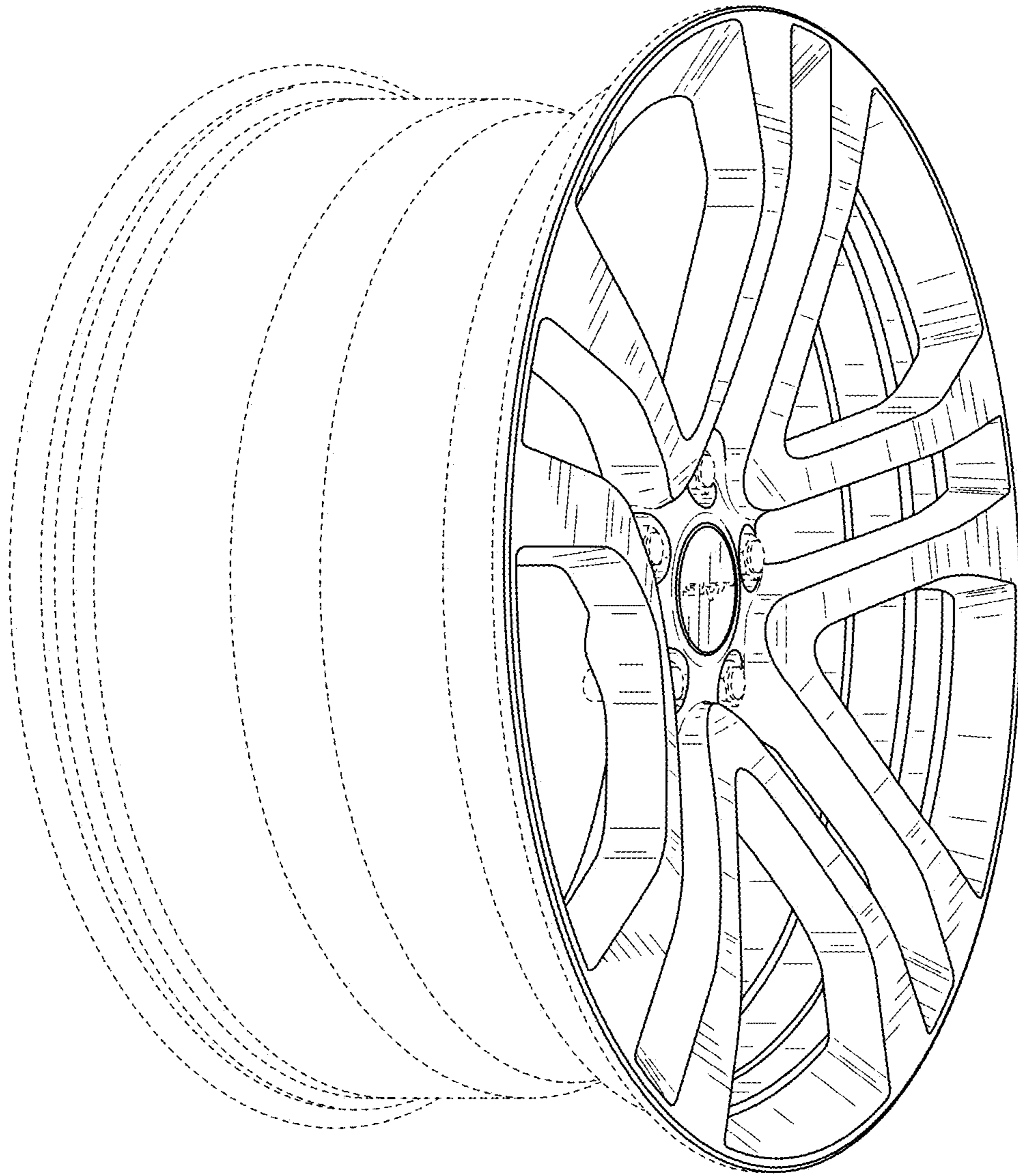


FIG. 2

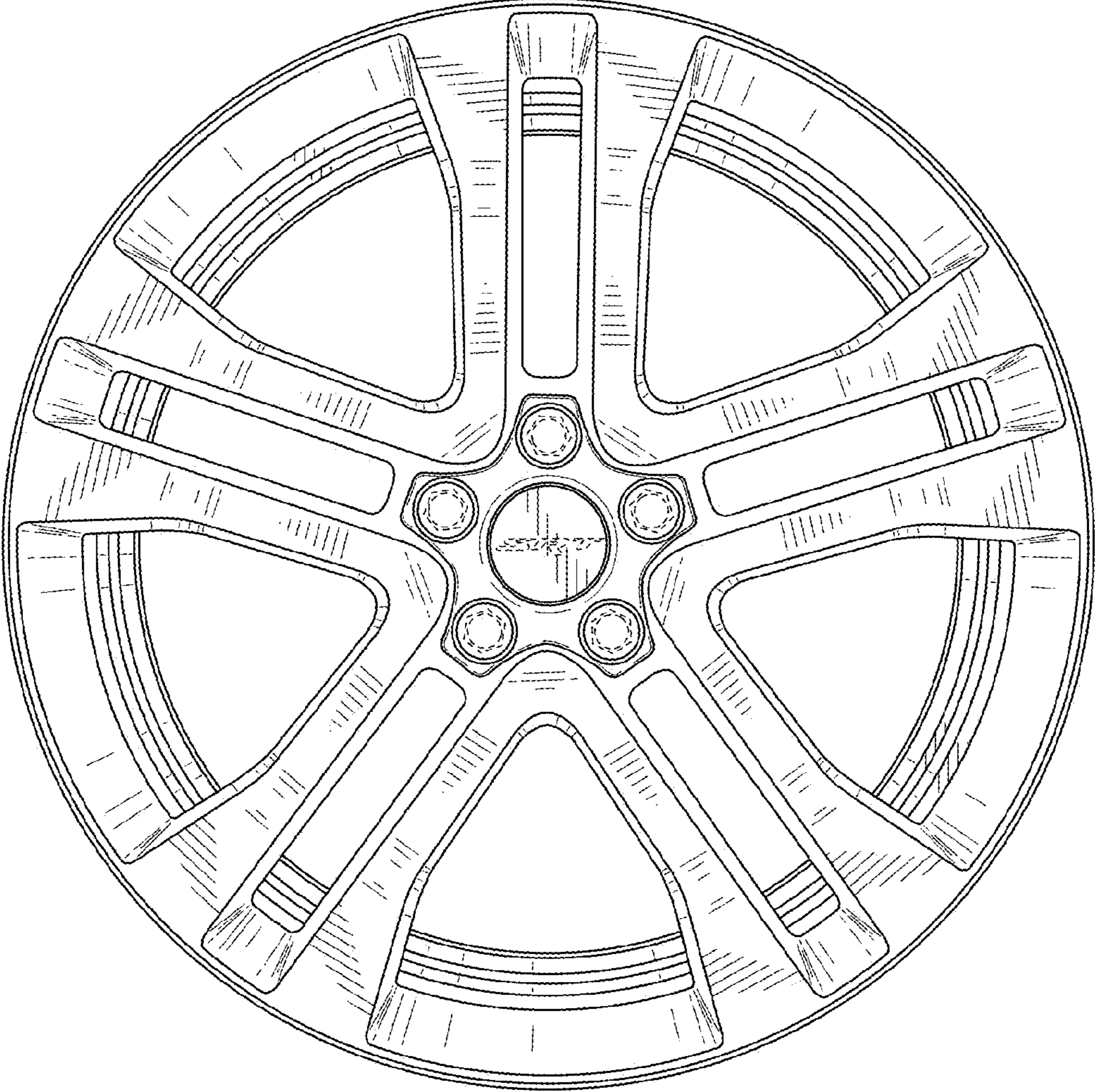


FIG. 3