



US00D763762S

(12) **United States Design Patent**
Ghobrial et al.

(10) **Patent No.:** **US D763,762 S**

(45) **Date of Patent:** **** Aug. 16, 2016**

(54) **AUTOMOBILE WHEEL**

(71) Applicants: **Rimon Ghobrial**, Auburn Hills, MI (US); **Jeffrey C Gale**, Rochester, MI (US); **Joseph S Dehner**, Bloomfield Hills, MI (US)

(72) Inventors: **Rimon Ghobrial**, Auburn Hills, MI (US); **Jeffrey C Gale**, Rochester, MI (US); **Joseph S Dehner**, Bloomfield Hills, MI (US)

(73) Assignee: **FCA US LLC**, Auburn Hills, MI (US)

(**) Term: **14 Years**

(21) Appl. No.: **29/524,888**

(22) Filed: **Apr. 24, 2015**

(51) **LOC (10) Cl.** **12-16**

(52) **U.S. Cl.**
USPC **D12/209**

(58) **Field of Classification Search**
USPC D12/204–213
CPC B60B 7/00; B60B 7/02; B60B 7/04; B60B 7/01; B60B 7/06; B60B 3/02; B60B 3/04; B60B 3/06; B60B 3/10; B60B 1/00; B60B 1/08; B60B 1/10; B60B 1/12
See application file for complete search history.

(56) **References Cited**

U.S. PATENT DOCUMENTS

D403,648 S *	1/1999	Feriero	D12/209
D432,479 S *	10/2000	Lee	D12/209
D436,907 S *	1/2001	Ong	D12/209
D470,093 S *	2/2003	Frizzi	D12/209
D505,371 S *	5/2005	Hueller	D12/209
D515,997 S *	2/2006	Phillips	D12/209

D527,325 S *	8/2006	Nagashima	D12/209
D538,215 S *	3/2007	Laengerer	D12/209
D541,204 S *	4/2007	Huet	D12/211
D550,140 S *	9/2007	Laengerer	D12/211
D555,566 S *	11/2007	Hlinovsky	D12/209
D560,152 S *	1/2008	Nordmann	D12/211
D574,310 S *	8/2008	Huet	D12/209
D586,281 S *	2/2009	Pfeiffer	D12/209
D589,864 S *	4/2009	Friedrich	D12/209
D597,918 S *	8/2009	Juergens	D12/209
D604,222 S *	11/2009	Krisch	D12/211
D623,110 S *	9/2010	Juergens	D12/209
D639,717 S *	6/2011	Chung	D12/211
D643,793 S *	8/2011	Juergens	D12/209
D649,105 S *	11/2011	Hilpert	D12/211
D649,504 S *	11/2011	Platto	D12/209
D667,355 S *	9/2012	Gotschke	D12/209
D674,329 S *	1/2013	Bildhaeuser	D12/209
D690,248 S *	9/2013	Bildhaeuser	D12/209
D705,713 S *	5/2014	Wagener	D12/209
D744,397 S *	12/2015	Pollmann	D12/209
D744,399 S *	12/2015	Juergens	D12/209
D754,049 S *	4/2016	Valencia Pollex	D12/209

* cited by examiner

Primary Examiner — Stacia Cadmus

(74) *Attorney, Agent, or Firm* — Ralph E Smith

(57) **CLAIM**

The ornamental design for an automobile wheel, as shown and described.

DESCRIPTION

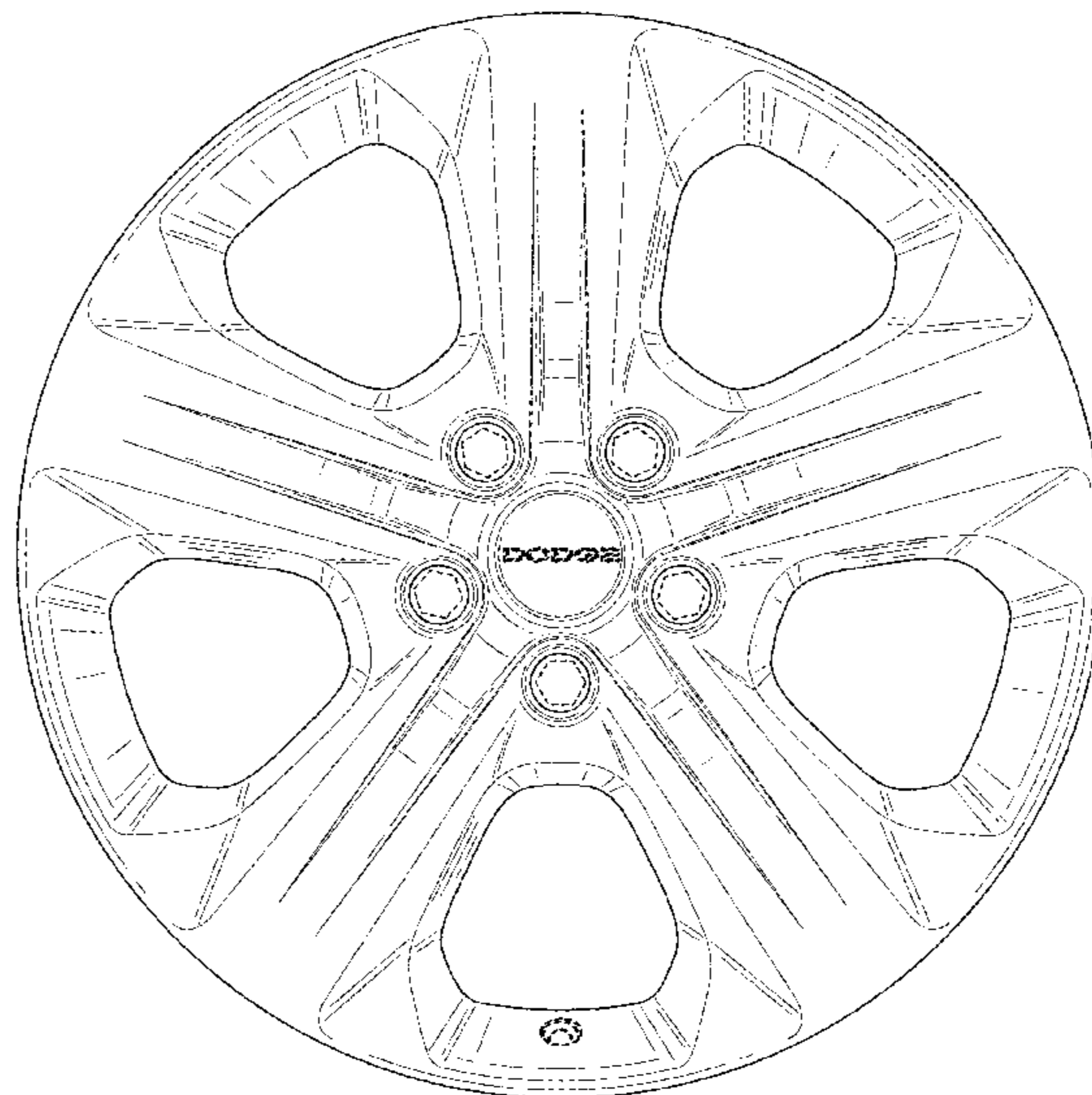
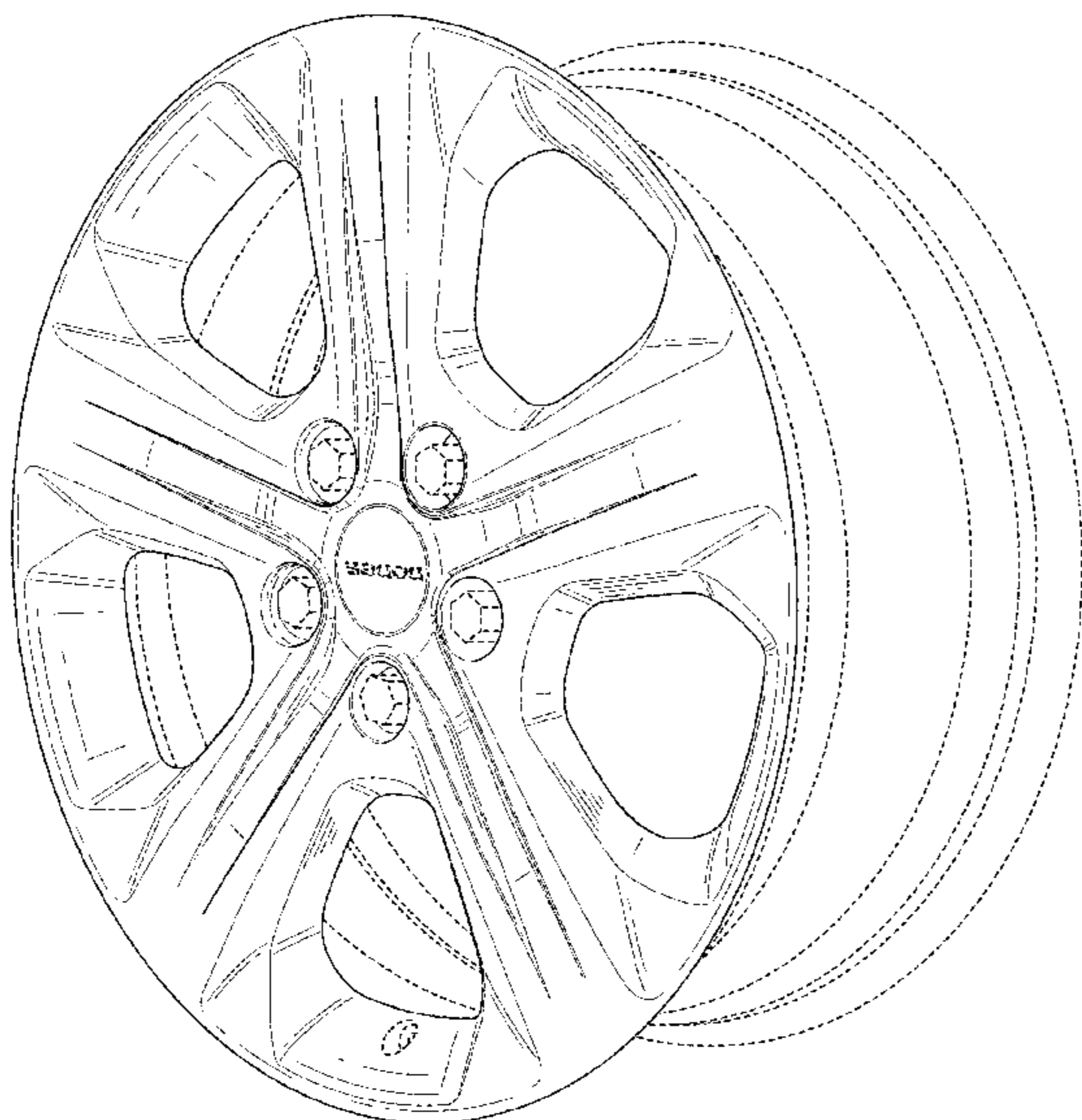
FIG. 1 is a left side perspective view of an automobile wheel showing the new design;

FIG. 2 is a right side perspective view thereof; and,

FIG. 3 is a front view.

It will be understood that the broken lines shown in the drawings illustrate portions of the automobile wheel that form no part of claimed design.

1 Claim, 3 Drawing Sheets



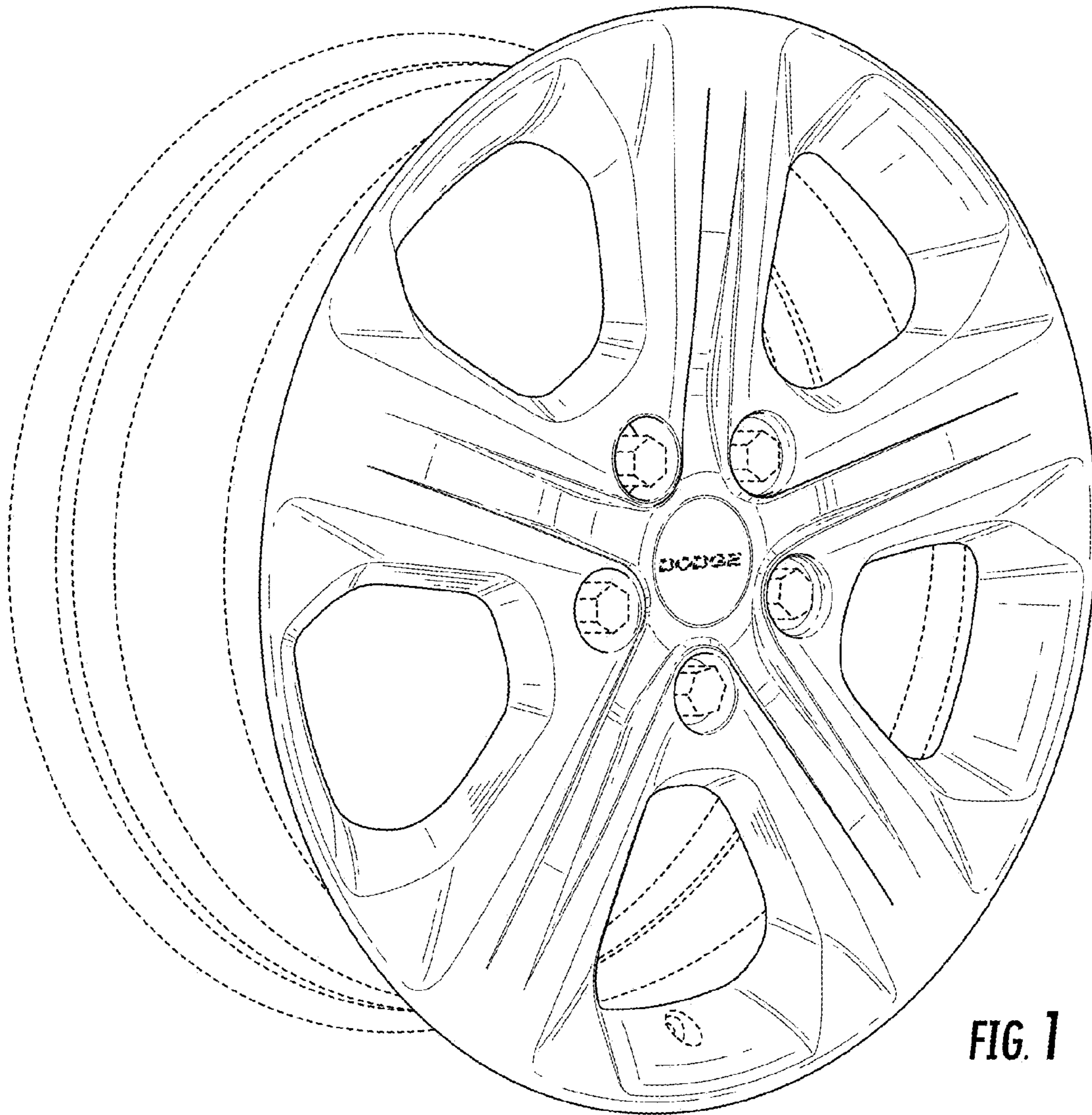


FIG. 1

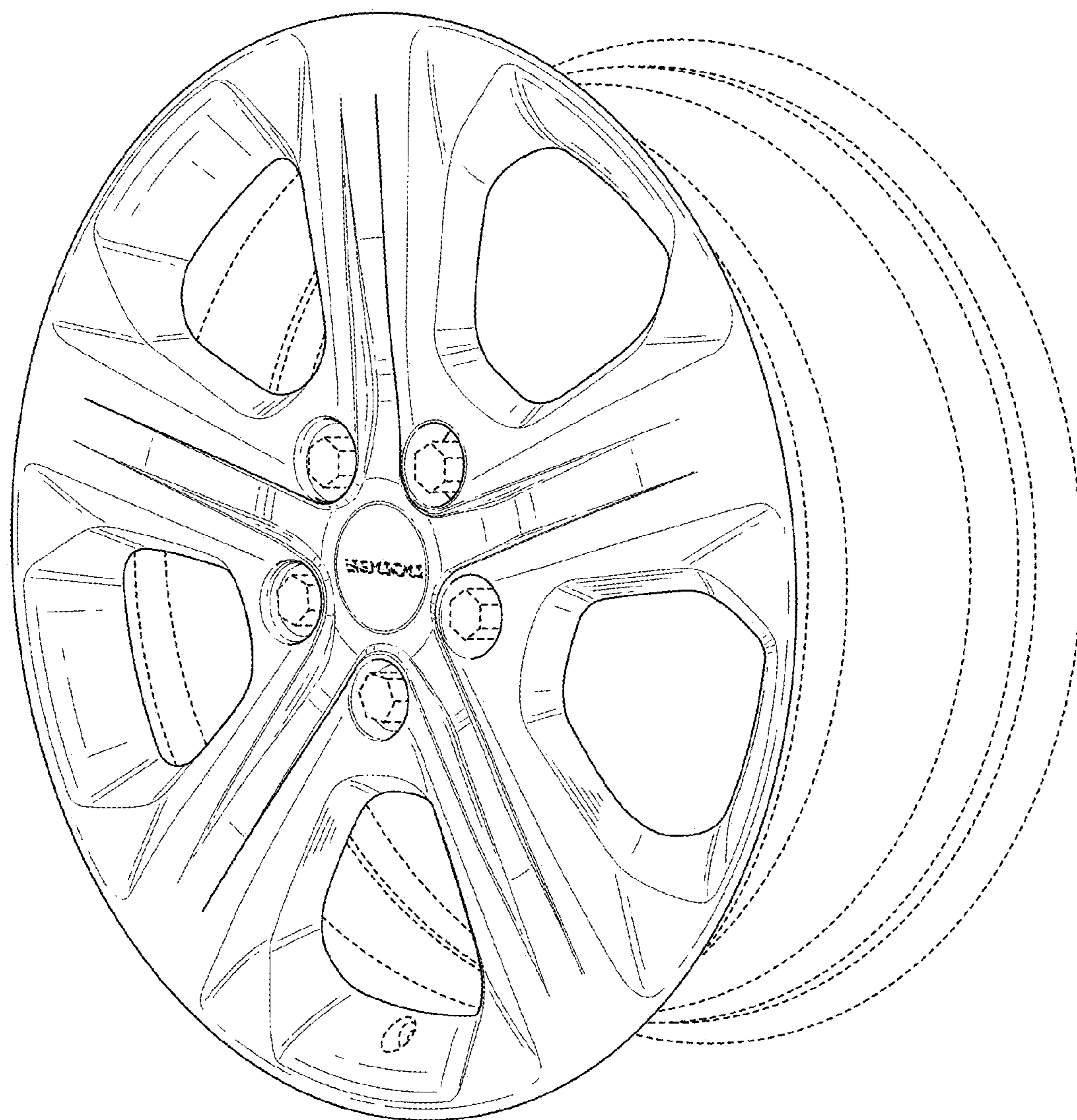


FIG. 2

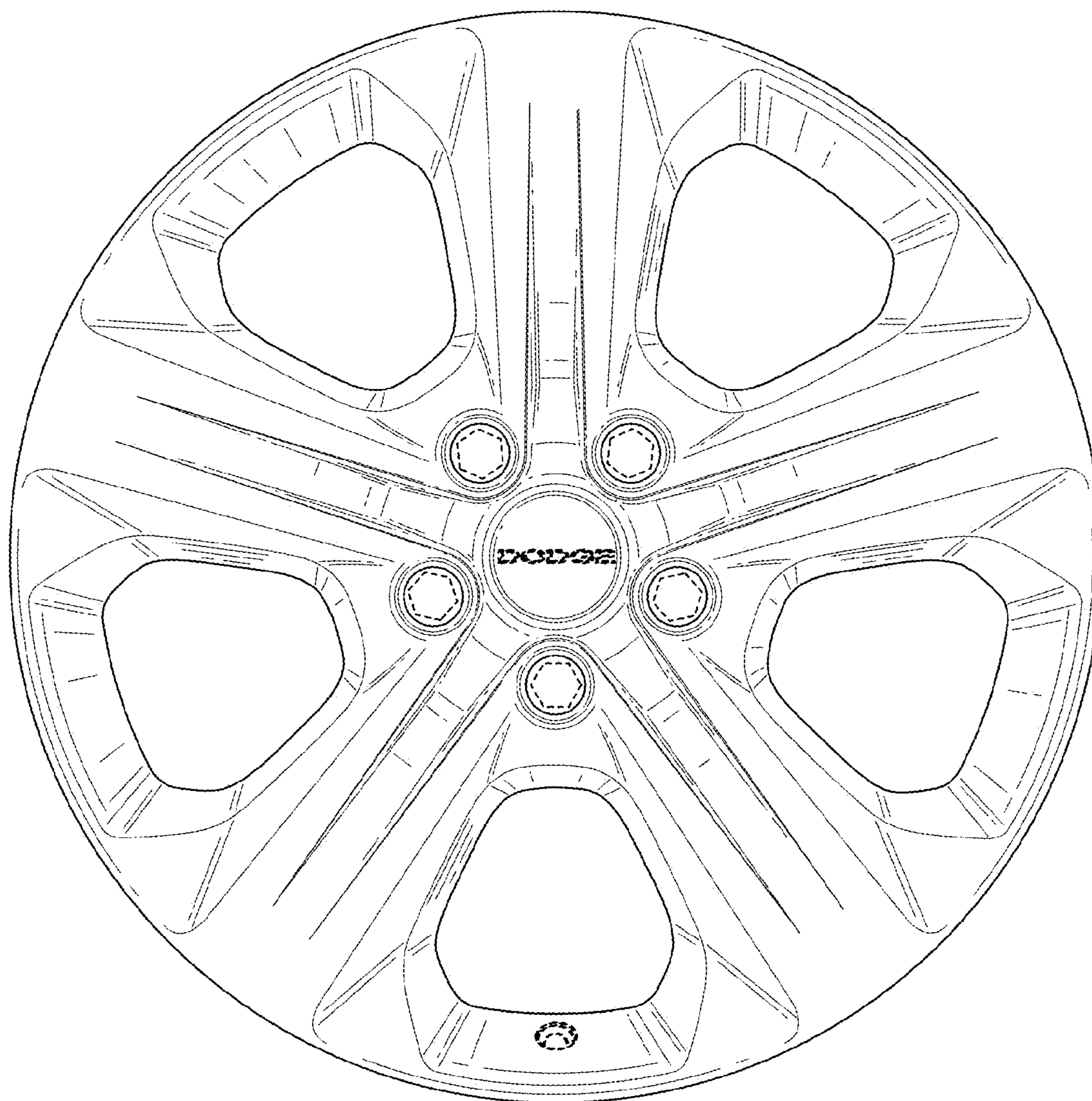


FIG. 3