



US00D763761S

(12) **United States Design Patent**
Dionisopoulos et al.

(10) **Patent No.:** **US D763,761 S**
(45) **Date of Patent:** **** Aug. 16, 2016**

(54) **AUTOMOBILE WHEEL**

(71) Applicants: **Frank F Dionisopoulos**, Grosse Pointe Shores, MI (US); **Khashayar Honarkhah**, Bloomfield Hills, MI (US); **Mark Trostle**, Rochester, MI (US)

(72) Inventors: **Frank F Dionisopoulos**, Grosse Pointe Shores, MI (US); **Khashayar Honarkhah**, Bloomfield Hills, MI (US); **Mark Trostle**, Rochester, MI (US)

(73) Assignee: **FCA US LLC**, Auburn Hills, MI (US)

(**) Term: **14 Years**

(21) Appl. No.: **29/523,898**

(22) Filed: **Apr. 15, 2015**

(51) **LOC (10) Cl.** **12-16**

(52) **U.S. Cl.**
USPC **D12/209**

(58) **Field of Classification Search**
USPC D12/204–213
CPC B60B 7/00; B60B 7/02; B60B 7/04;
B60B 7/01; B60B 7/06; B60B 3/02; B60B
3/04; B60B 3/06; B60B 3/10; B60B 1/00;
B60B 1/08; B60B 1/10; B60B 1/12
See application file for complete search history.

(56) **References Cited**

U.S. PATENT DOCUMENTS

D469,048 S	*	1/2003	van Hooydonk	D12/209
D487,046 S	*	2/2004	Yamagishi	D12/209
D538,216 S	*	3/2007	Sycha	D12/209
D558,118 S	*	12/2007	Hueller	D12/211

D581,853 S	*	12/2008	Rak	D12/211
D594,801 S	*	6/2009	Imai	D12/211
D608,713 S	*	1/2010	Bucher	D12/209
D629,346 S	*	12/2010	Szews	D12/211
D648,254 S	*	11/2011	Barry	D12/209
D652,777 S	*	1/2012	Spogis	D12/211
D671,057 S	*	11/2012	Tanevski	D12/209
D673,093 S	*	12/2012	Platto	D12/209
D673,096 S	*	12/2012	Platto	D12/209
D674,330 S	*	1/2013	Kito	D12/209
D721,028 S	*	1/2015	Lemke	D12/211
D730,795 S	*	6/2015	Mays	D12/209
D731,389 S	*	6/2015	Gotschke	D12/211
D734,704 S	*	7/2015	Juergens	D12/211
D738,804 S	*	9/2015	George	D12/209
D750,543 S	*	3/2016	Behmer	D12/209
D751,019 S	*	3/2016	Behmer	D12/211
D753,574 S	*	4/2016	Mielke	D12/211
D754,582 S	*	4/2016	Kobayashi	D12/209
D755,104 S	*	5/2016	Chu	D12/211
D755,691 S	*	5/2016	Gardavsky	D12/209

* cited by examiner

Primary Examiner — Stacia Cadmus

(74) *Attorney, Agent, or Firm* — Ralph E Smith

(57) **CLAIM**

The ornamental design for an automobile wheel, as shown and described.

DESCRIPTION

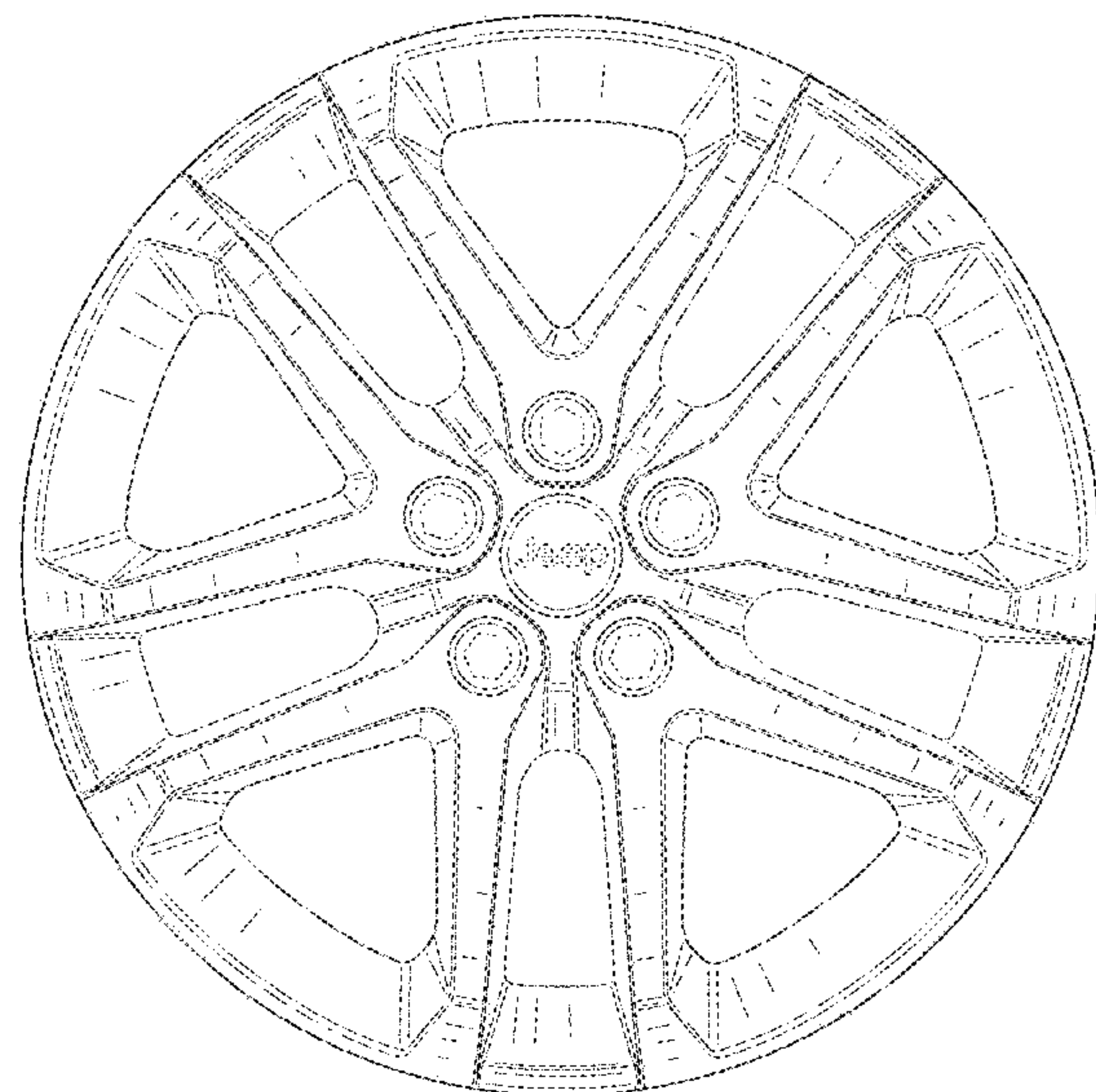
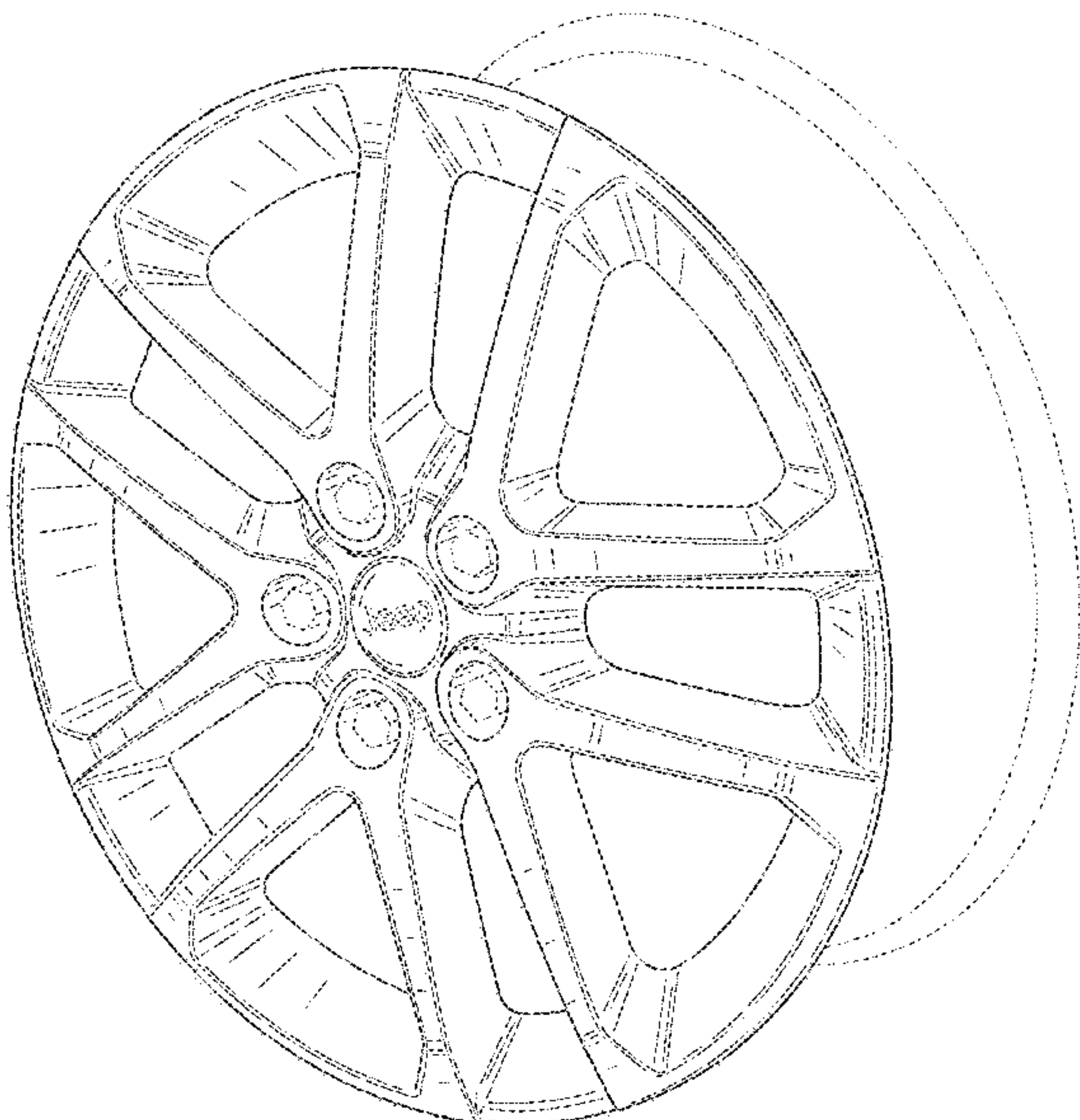
FIG. 1 is a left side perspective view of an automobile wheel showing the new design;

FIG. 2 is a right side perspective view thereof; and,

FIG. 3 is a front view.

It will be understood that the broken lines shown in the drawings illustrate portions of the automobile wheel that form no part of claimed design.

1 Claim, 3 Drawing Sheets



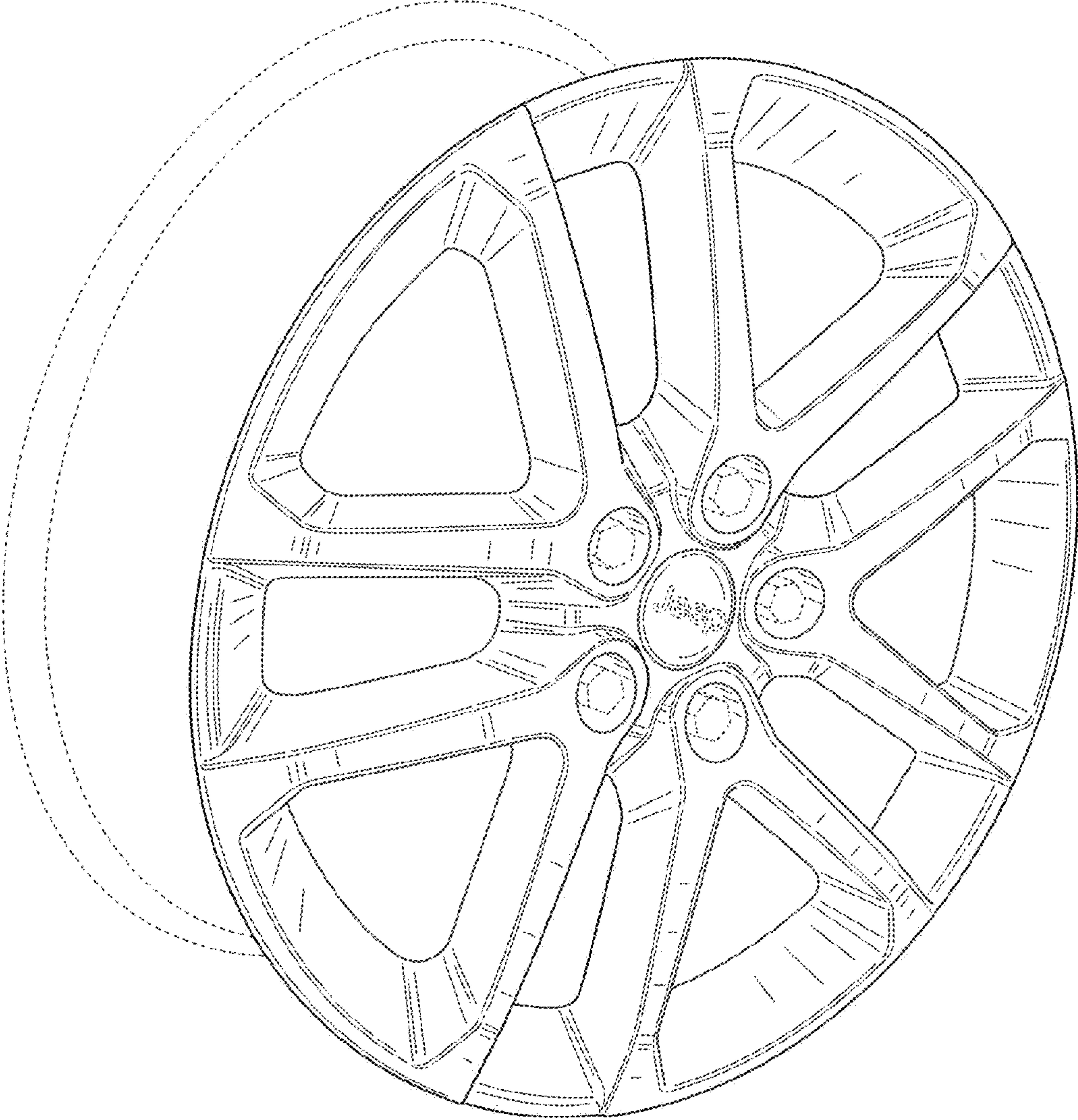


FIG. 1

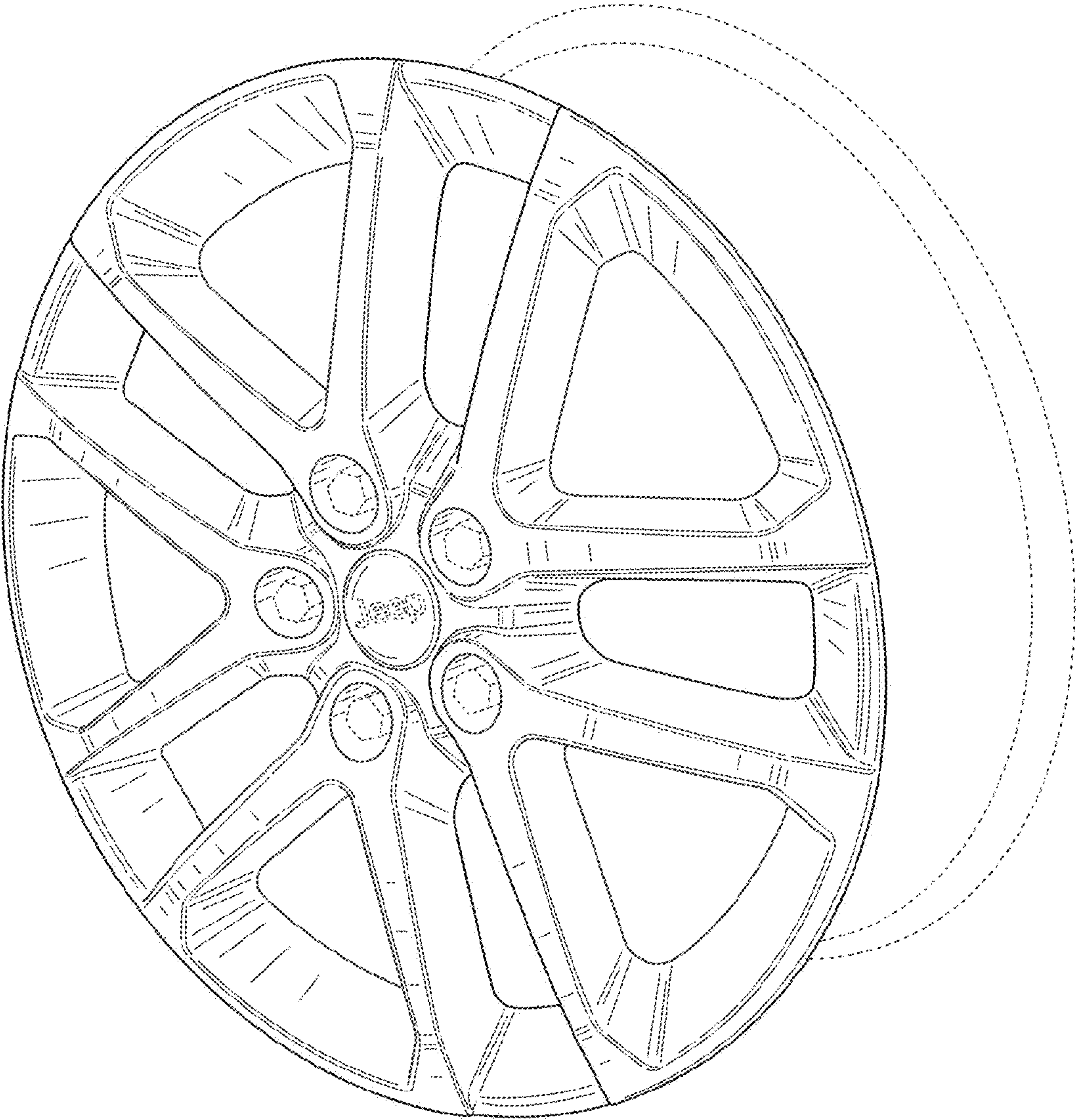


FIG. 2

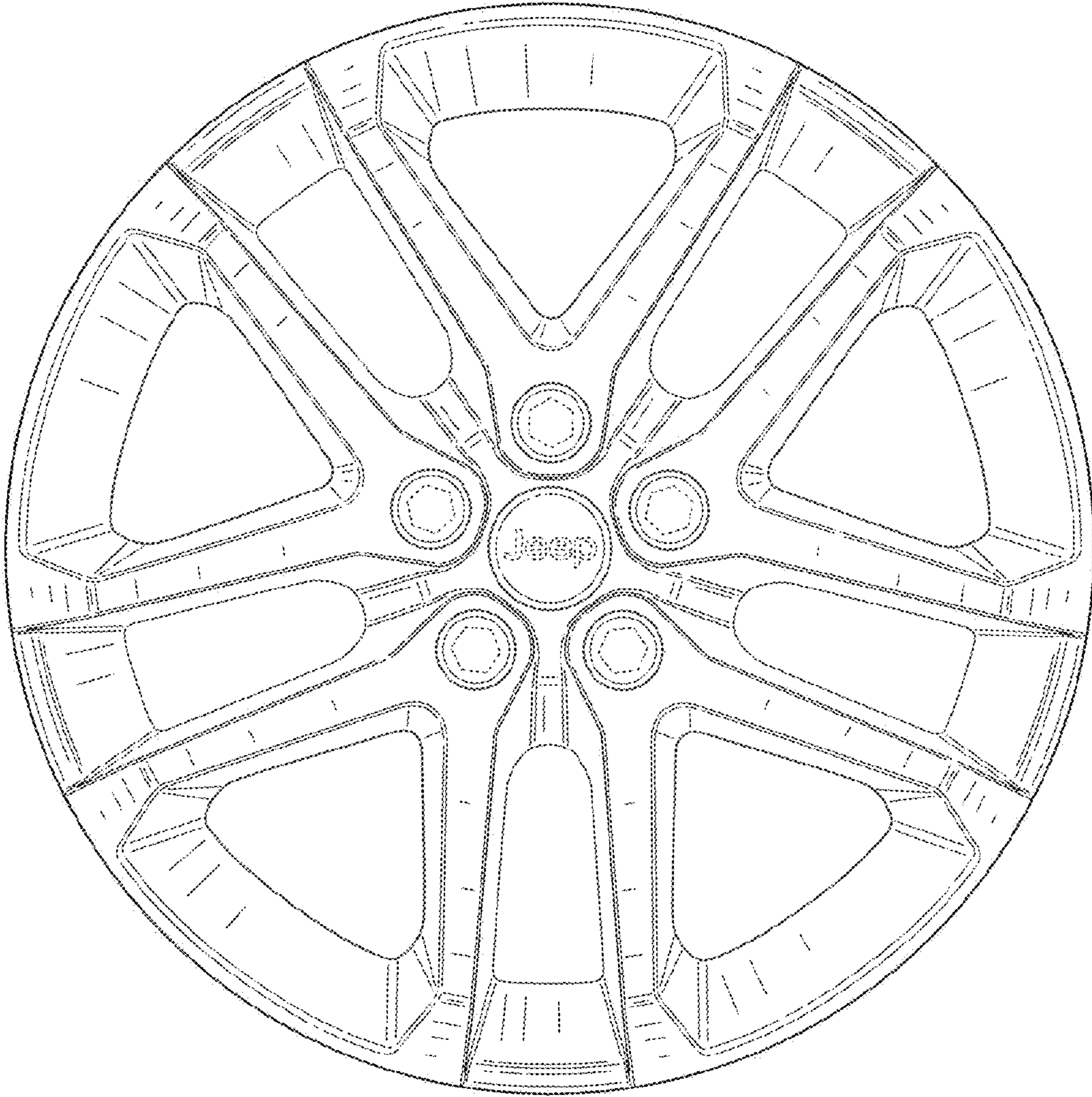


FIG. 3