



US00D763760S

(12) **United States Design Patent**  
**Gale et al.**

(10) **Patent No.:** **US D763,760 S**

(45) **Date of Patent:** **\*\* Aug. 16, 2016**

(54) **AUTOMOBILE WHEEL**

(71) Applicants: **Jeffrey C Gale**, Rochester, MI (US);  
**Joseph S Dehner**, Bloomfield Hills, MI (US)

(72) Inventors: **Jeffrey C Gale**, Rochester, MI (US);  
**Joseph S Dehner**, Bloomfield Hills, MI (US)

(73) Assignee: **FCA US LLC**, Auburn Hills, MI (US)

(\*\*) Term: **14 Years**

(21) Appl. No.: **29/522,624**

(22) Filed: **Apr. 1, 2015**

(51) **LOC (10) Cl.** ..... **12-16**

(52) **U.S. Cl.**  
USPC ..... **D12/209**

(58) **Field of Classification Search**  
USPC ..... D12/204–213  
CPC ..... B60B 7/00; B60B 7/02; B60B 7/04;  
B60B 7/01; B60B 7/06; B60B 3/02; B60B  
3/04; B60B 3/06; B60B 3/10; B60B 1/00;  
B60B 1/08; B60B 1/10; B60B 1/12  
See application file for complete search history.

(56) **References Cited**

**U.S. PATENT DOCUMENTS**

D455,993 S \* 4/2002 Ayoub ..... D12/211  
D460,037 S \* 7/2002 Takechi ..... D12/211

D469,048 S \* 1/2003 van Hooydonk ..... D12/209  
D477,262 S \* 7/2003 Koch ..... D12/209  
D504,097 S \* 4/2005 Markefka ..... D12/209  
D522,434 S \* 6/2006 Langer ..... D12/209  
D530,252 S \* 10/2006 Gabath ..... D12/209  
D540,240 S \* 4/2007 Kountouras ..... D12/211  
D567,167 S \* 4/2008 Forster ..... D12/211  
D582,333 S \* 12/2008 Pfeiffer ..... D12/211  
D594,802 S \* 6/2009 Gustafsson ..... D12/211  
D625,675 S \* 10/2010 Juergens ..... D12/209  
D629,346 S \* 12/2010 Szews ..... D12/211  
D650,315 S \* 12/2011 Juergens ..... D12/211  
D660,762 S \* 5/2012 Gabath ..... D12/209  
D729,720 S \* 5/2015 Chen ..... D12/211  
D751,486 S \* 3/2016 Reimer ..... D12/211  
D753,570 S \* 4/2016 Garbas ..... D12/211

\* cited by examiner

*Primary Examiner* — Stacia Cadmus

(74) *Attorney, Agent, or Firm* — Ralph E Smith

(57) **CLAIM**

The ornamental design for an automobile wheel, as shown and described.

**DESCRIPTION**

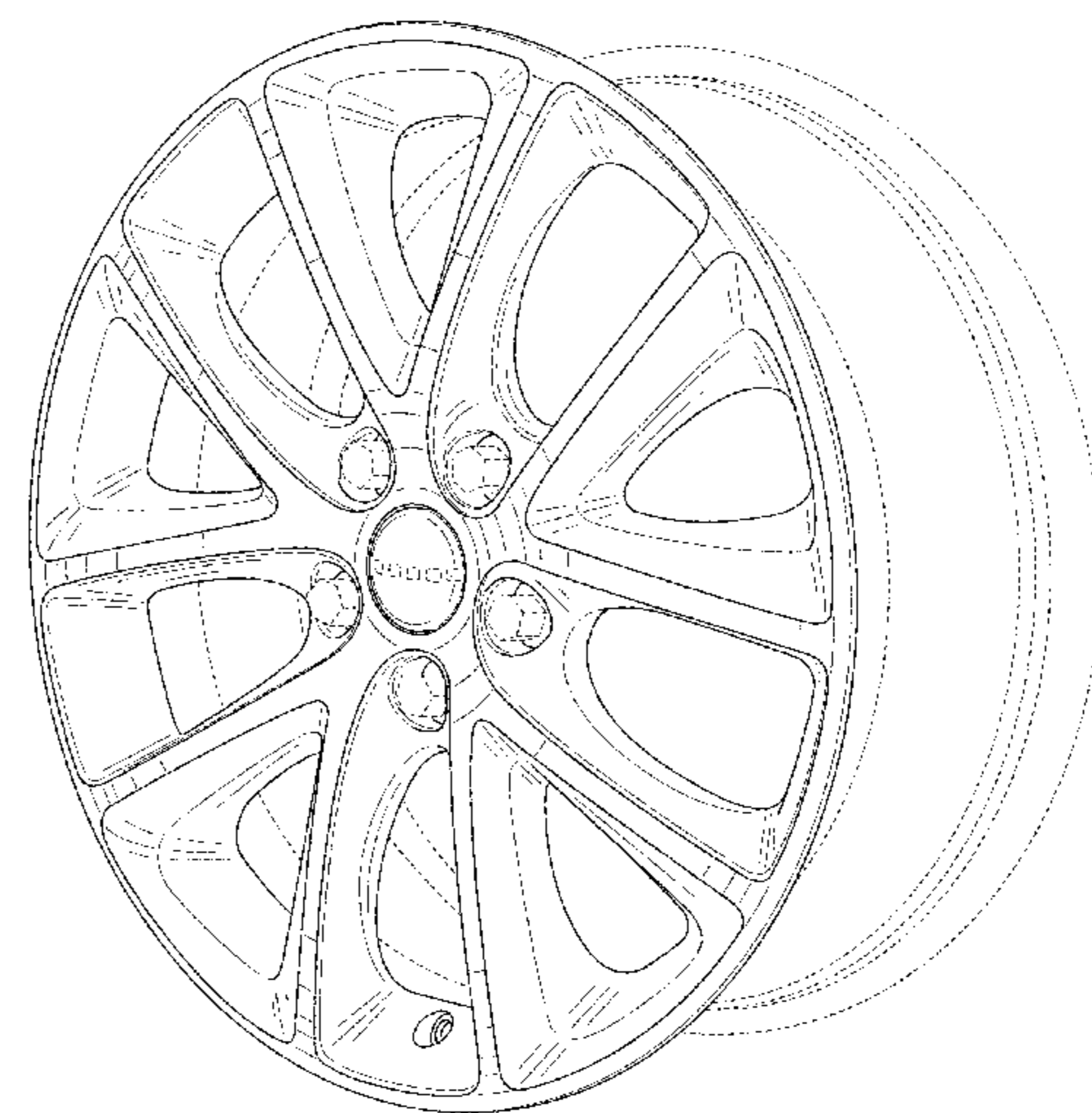
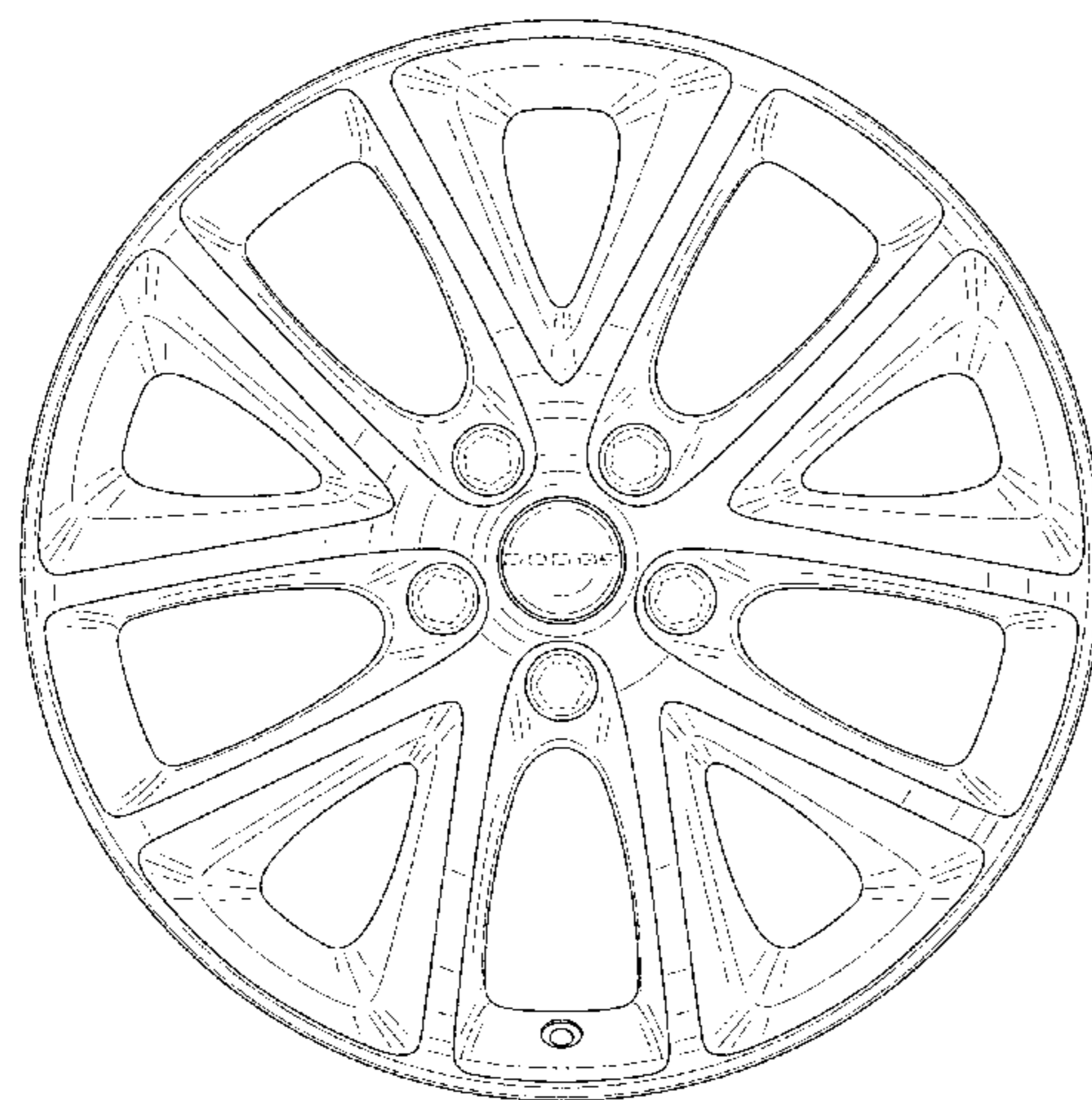
FIG. 1 is a left side perspective view of an automobile wheel showing the new design;

FIG. 2 is a front view thereof; and,

FIG. 3 is a right side perspective view.

It will be understood that the broken lines shown in the drawings illustrate portions of the automobile wheel that form no part of claimed design.

**1 Claim, 3 Drawing Sheets**



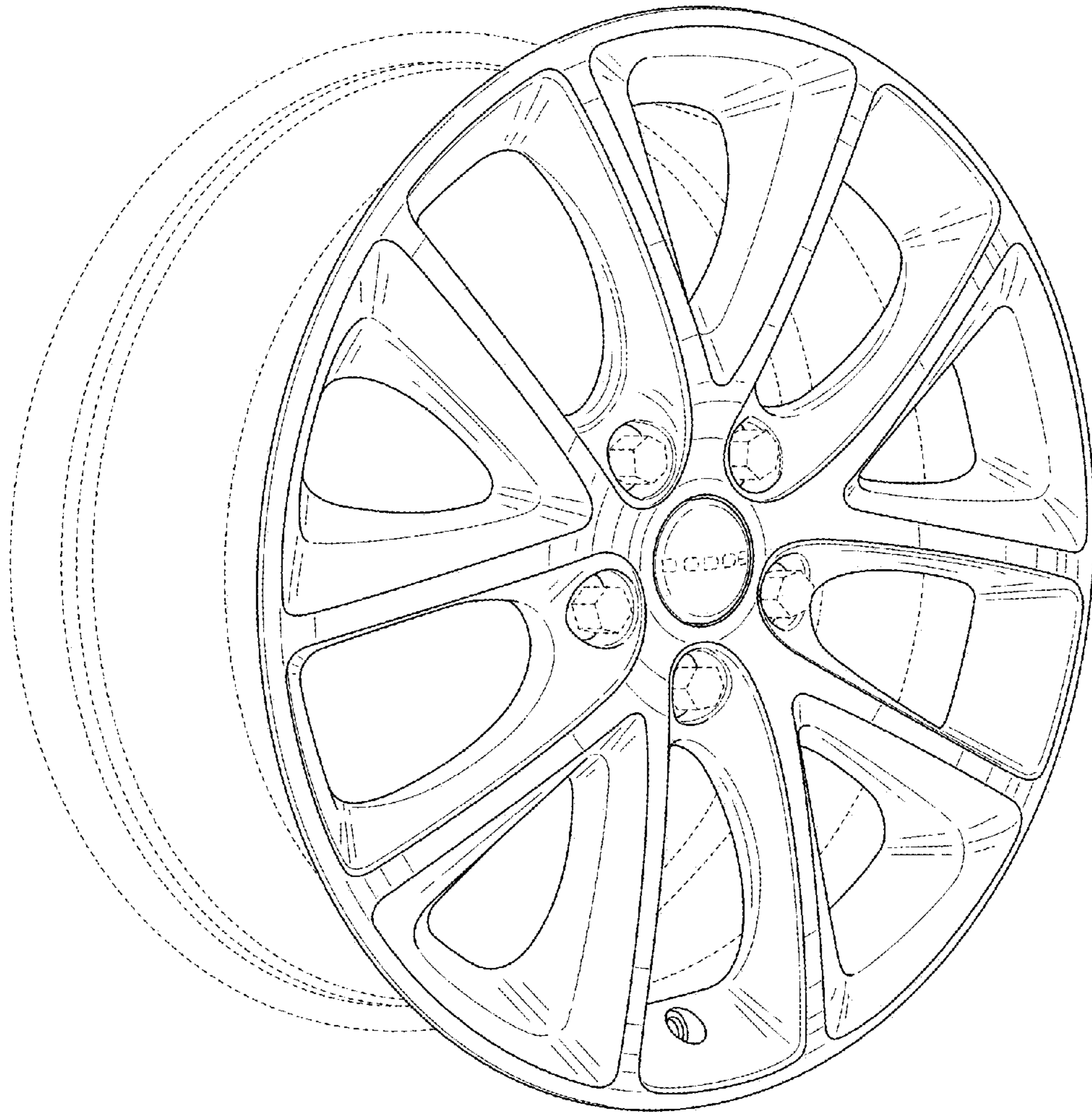


FIG. 1

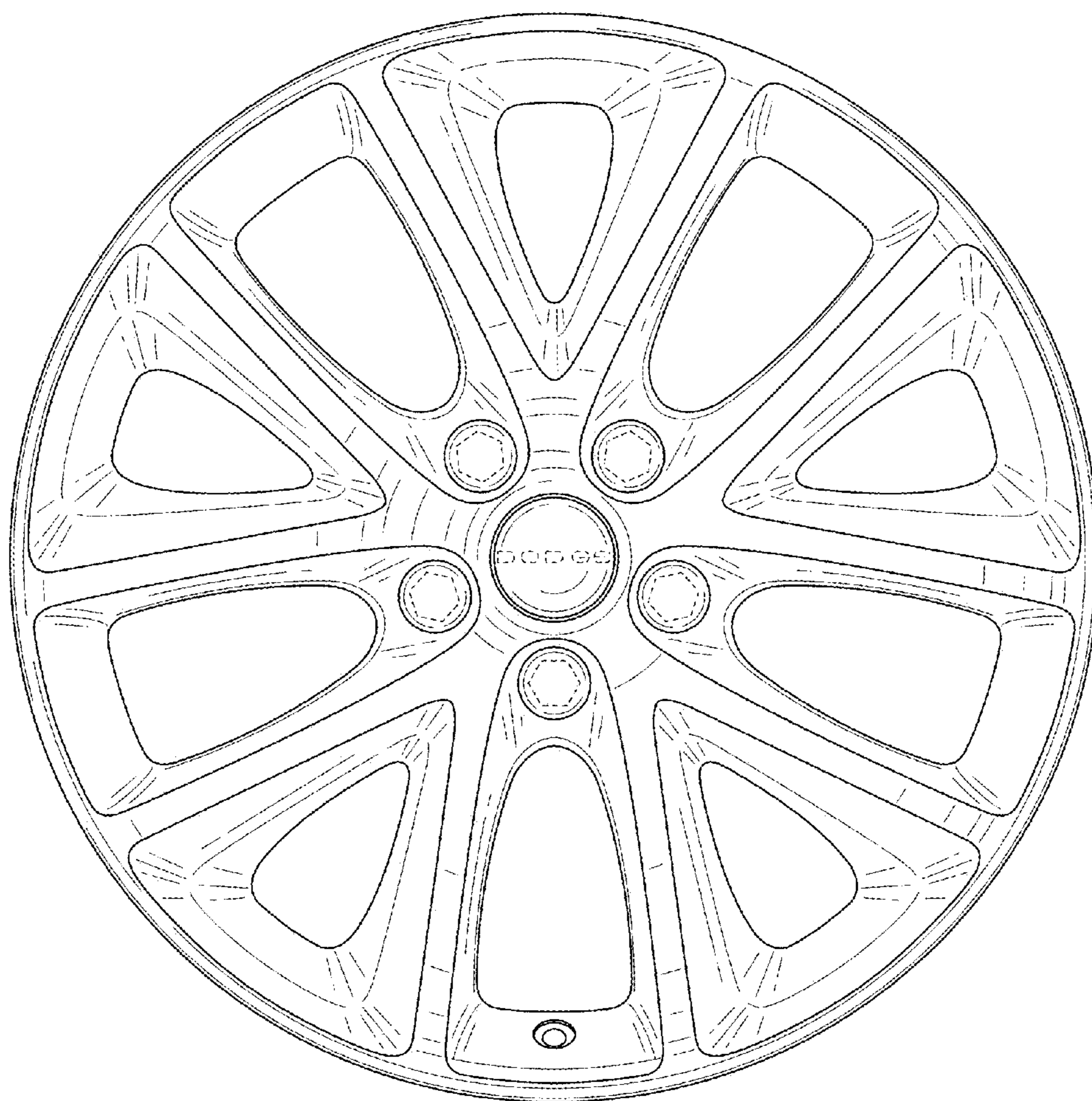


FIG. 2

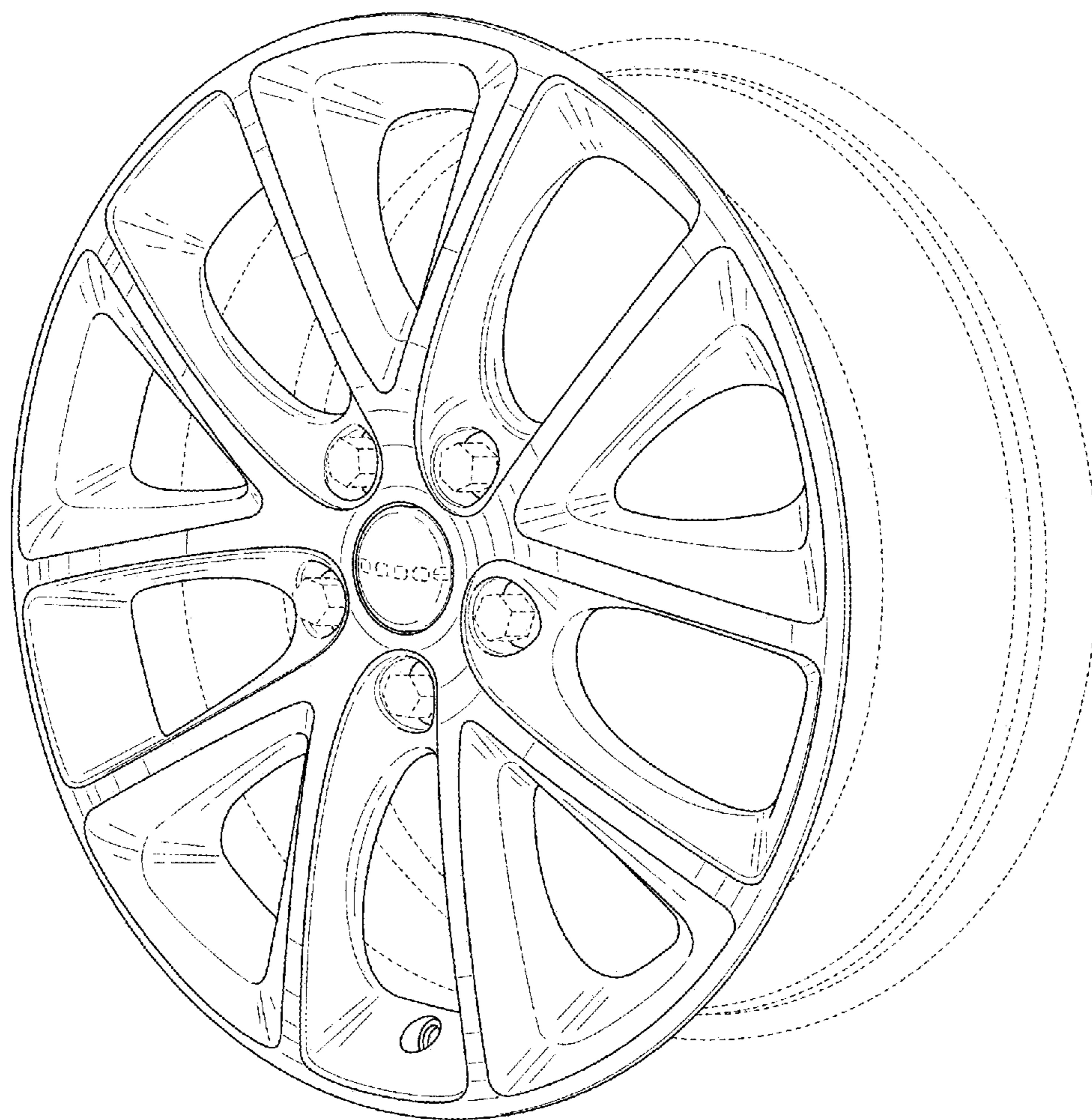


FIG. 3