



US00D763759S

(12) **United States Design Patent**
Valencia Pollex

(10) **Patent No.:** **US D763,759 S**
(45) **Date of Patent:** **** Aug. 16, 2016**

(54) **VEHICLE WHEEL RIM**
(71) Applicant: **AUDI AG**, Ingolstadt (DE)
(72) Inventor: **Andreas Valencia Pollex**, Ingolstadt (DE)
(73) Assignee: **AUDI AG**, Ingolstadt (DE)
(**) Term: **14 Years**

D538,216 S * 3/2007 Sycha D12/209
D582,331 S * 12/2008 Blasi D12/209
D583,740 S * 12/2008 Frizzi D12/209
D615,018 S * 5/2010 Truebsbach D12/211
D673,093 S * 12/2012 Platto D12/209
D682,179 S * 5/2013 Badstuebner D12/211
D723,986 S * 3/2015 Lemke D12/209
D731,389 S * 6/2015 Gotschke D12/211
D734,701 S * 7/2015 Mielke D12/209
D741,239 S * 10/2015 Wagener D12/209

(21) Appl. No.: **29/504,511**
(22) Filed: **Oct. 7, 2014**

FOREIGN PATENT DOCUMENTS

IN 250947 10/2013

* cited by examiner

(30) **Foreign Application Priority Data**
Apr. 9, 2014 (EM) 002443986-0001
(51) **LOC (10) Cl.** **12-16**
(52) **U.S. Cl.**
USPC **D12/209**
(58) **Field of Classification Search**
USPC D12/204-213; 301/37.101, 64.101, 65
See application file for complete search history.

Primary Examiner — Garth Rademaker
Assistant Examiner — Samantha Q Lawrence
(74) *Attorney, Agent, or Firm* — Lucas & Mercanti, LLP;
Klaus P. Stoffel

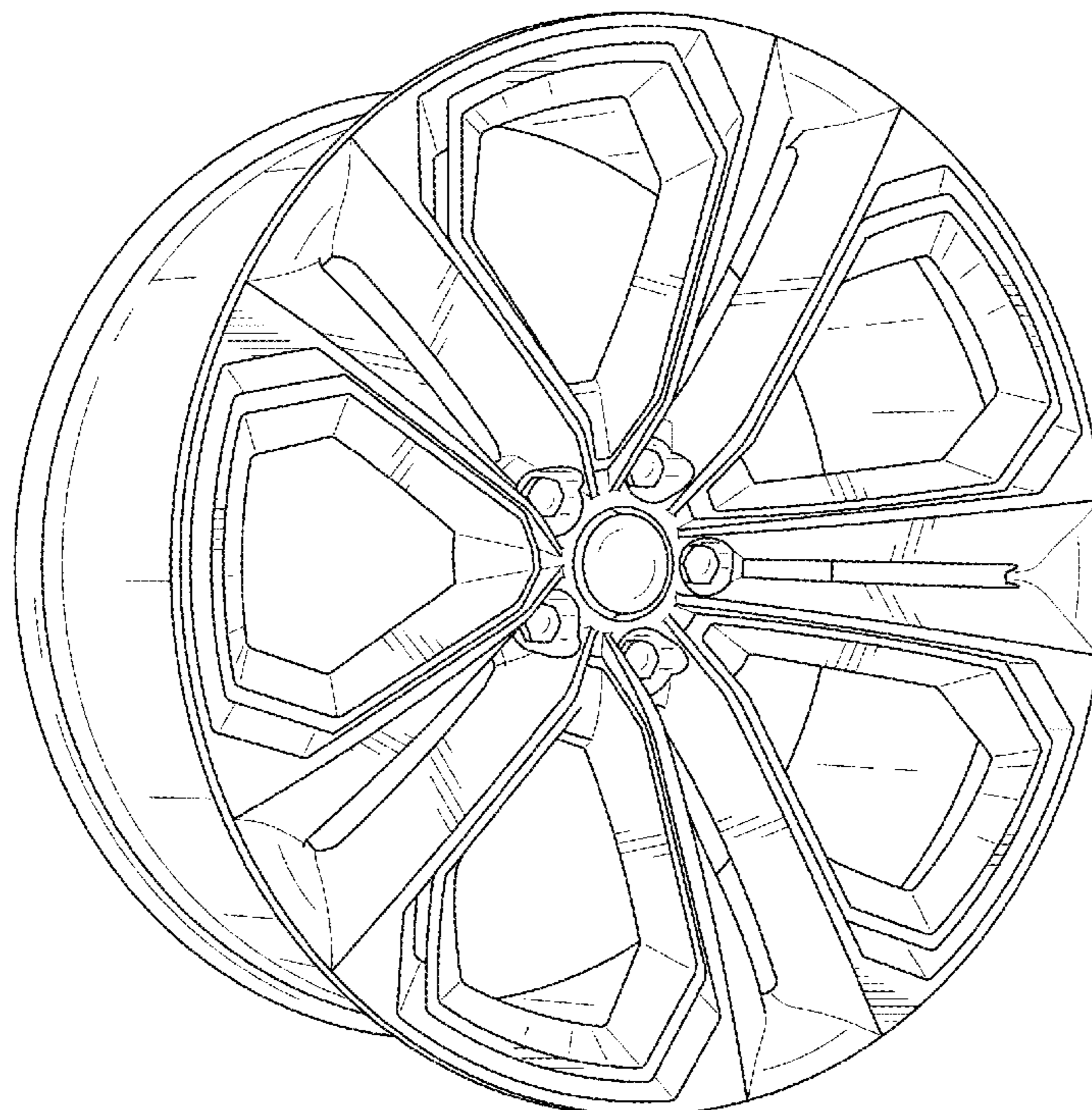
(57) **CLAIM**
The ornamental design for a vehicle wheel rim, as shown and described.

(56) **References Cited**
U.S. PATENT DOCUMENTS
D454,105 S * 3/2002 Pfeiffer D12/209
D504,648 S * 5/2005 Pfeiffer D12/209
D515,490 S * 2/2006 Pfeiffer D12/209
D520,433 S * 5/2006 Hosoi D12/211

DESCRIPTION

FIG. 1 is a front view of a vehicle wheel rim of the present invention; and, FIG. 2 is a front, left side perspective view thereof.

1 Claim, 2 Drawing Sheets



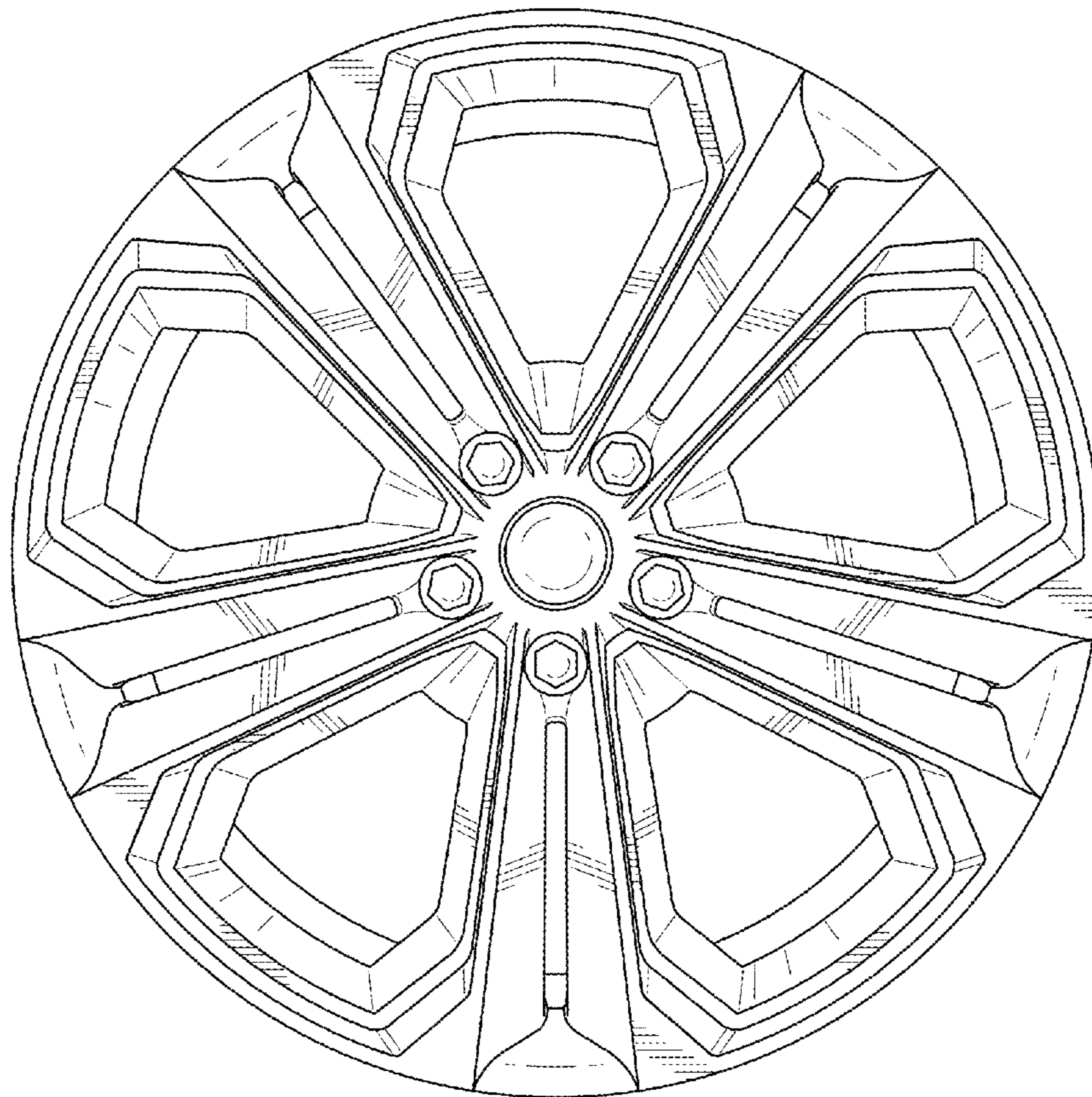


FIG. 1

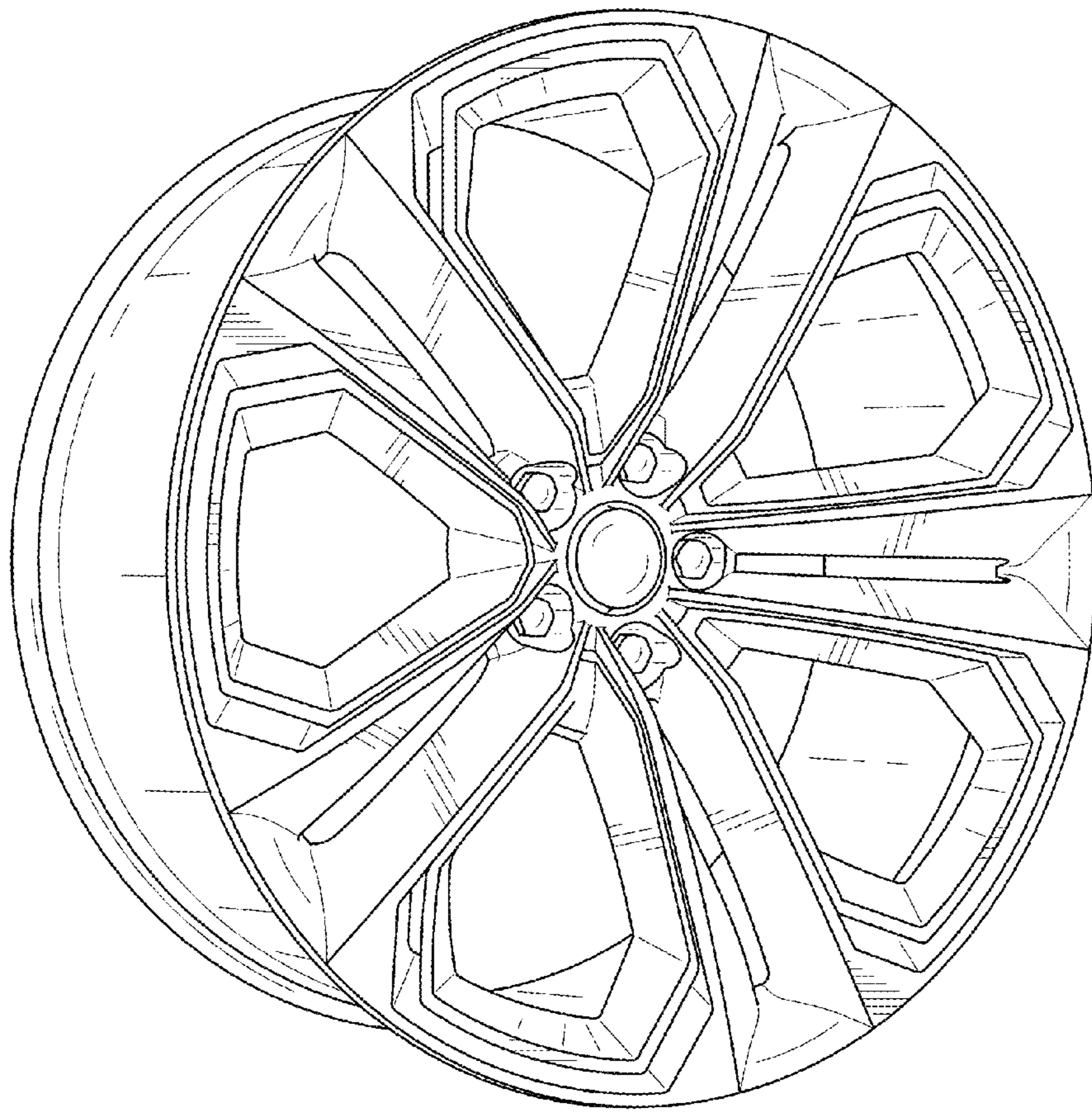


FIG. 2