



US00D763752S

(12) **United States Design Patent**
Yasuhara

(10) **Patent No.:** **US D763,752 S**
(45) **Date of Patent:** **** Aug. 16, 2016**

- (54) **INSTRUMENT UNIT FOR MOTORCYCLES**
- (71) Applicant: **Kawasaki Jukogyo Kabushiki Kaisha**,
Hyogo (JP)
- (72) Inventor: **Hidefumi Yasuhara**, Irvine, CA (US)
- (73) Assignee: **KAWASAKI JUKOGYO**
KABUSHIKI KAISHA, Hyogo (JP)
- (**) Term: **14 Years**
- (21) Appl. No.: **29/474,656**
- (22) Filed: **Dec. 17, 2014**
- (51) **LOC (10) Cl.** **12-08**
- (52) **U.S. Cl.**
USPC **D12/182**
- (58) **Field of Classification Search**
USPC D12/86-87, 107, 110, 114, 126,
D12/184-186, 192-195; D10/46, 98, 102;
73/493, 495; 116/62.4; 180/90, 202,
180/210-217, 219, 225, 229, 233, 282,
180/311-312; 280/288; 296/77.1, 78.1,
296/193.01, 193.03, 193.09
CPC B60K 37/00; B62J 17/00
See application file for complete search history.

(56) **References Cited**
U.S. PATENT DOCUMENTS

D241,332 S *	9/1976	Gordon	D12/114
D244,183 S *	5/1977	Gordon	D12/192
D244,522 S *	5/1977	Vetter	D12/182
D249,784 S *	10/1978	Vetter	D12/182
D252,624 S *	8/1979	Vetter	D12/182
4,278,285 A *	7/1981	Cummings	B62J 17/00 296/78.1
D273,779 S *	5/1984	Anderson	D12/182

4,515,405 A *	5/1985	Ogishima	B62J 6/00 296/78.1
D281,773 S *	12/1985	Hoese	D12/182
D284,180 S *	6/1986	Abe	D12/182
4,630,160 A *	12/1986	Murayama	B60R 11/02 296/37.1
D311,715 S *	10/1990	Yamada	D12/182
D314,740 S *	2/1991	Abe	D12/182
D315,708 S *	3/1991	Abe	D12/182
D334,374 S *	3/1993	Hornai	D12/182
D349,086 S *	7/1994	Riches	D12/182
D603,775 S *	11/2009	Longpre	D12/192
7,731,264 B1 *	6/2010	Jones	B60K 37/00 180/219
D628,130 S *	11/2010	Miyanishi	D12/192

* cited by examiner

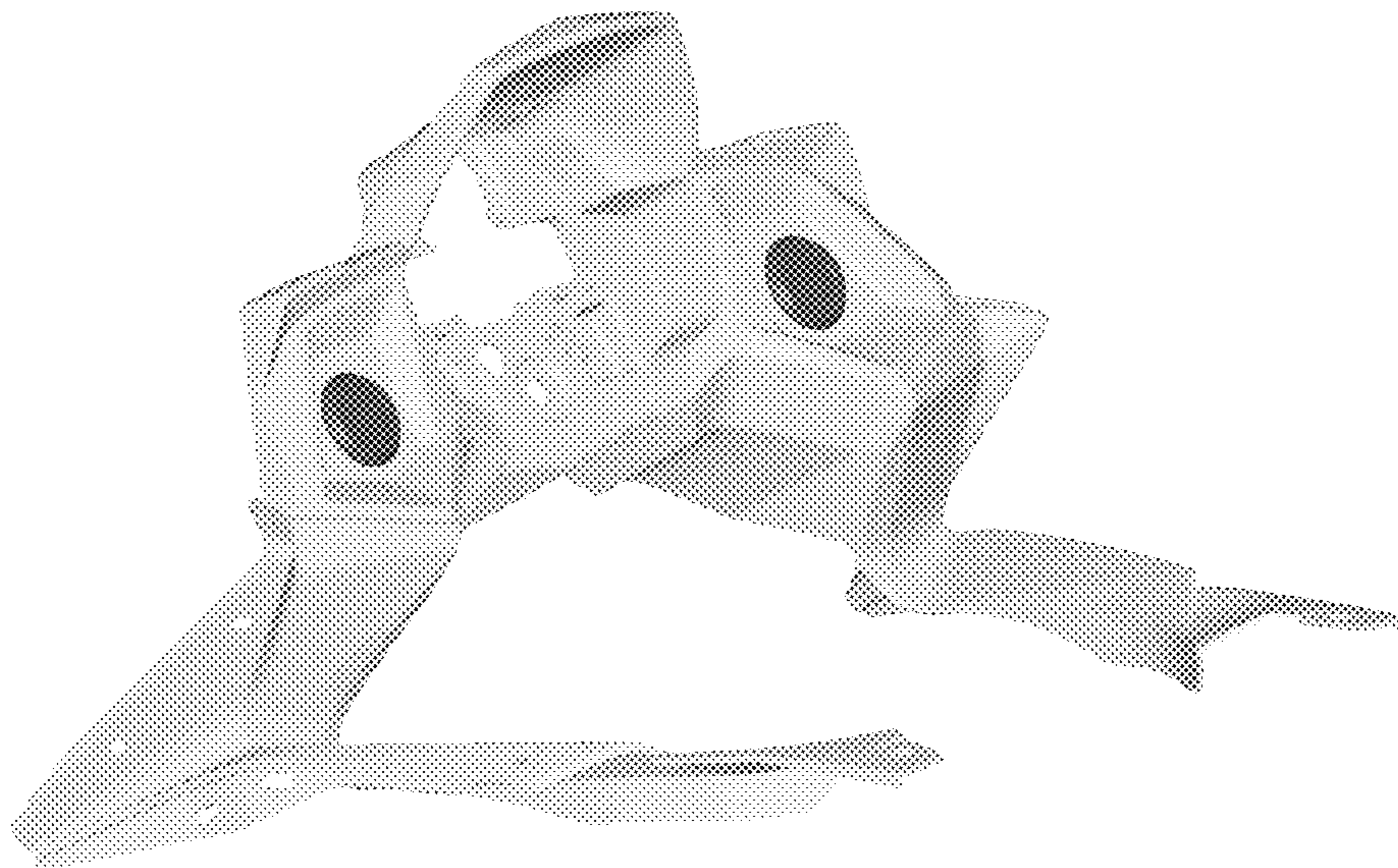
Primary Examiner — Philip S Hyder
Assistant Examiner — Darlington Ly

(57) **CLAIM**
The ornamental design for an instrument unit for motorcycles, as shown and described.

DESCRIPTION

FIG. 1 is a front elevational view of an instrument unit for motorcycles showing my new design;
 FIG. 2 is a rear elevational view thereof;
 FIG. 3 is a top plan view thereof;
 FIG. 4 is a bottom plan view thereof;
 FIG. 5 is a front left perspective view thereof;
 FIG. 6 is a rear right perspective view thereof; and,
 FIG. 7 is a perspective view of the instrument unit for motorcycles shown in a position of use from the left side of a motorcycle.
 The broken lines showing the motorcycle is provided for the purpose of illustrating environmental structure and forms no part of the claimed design.

1 Claim, 7 Drawing Sheets



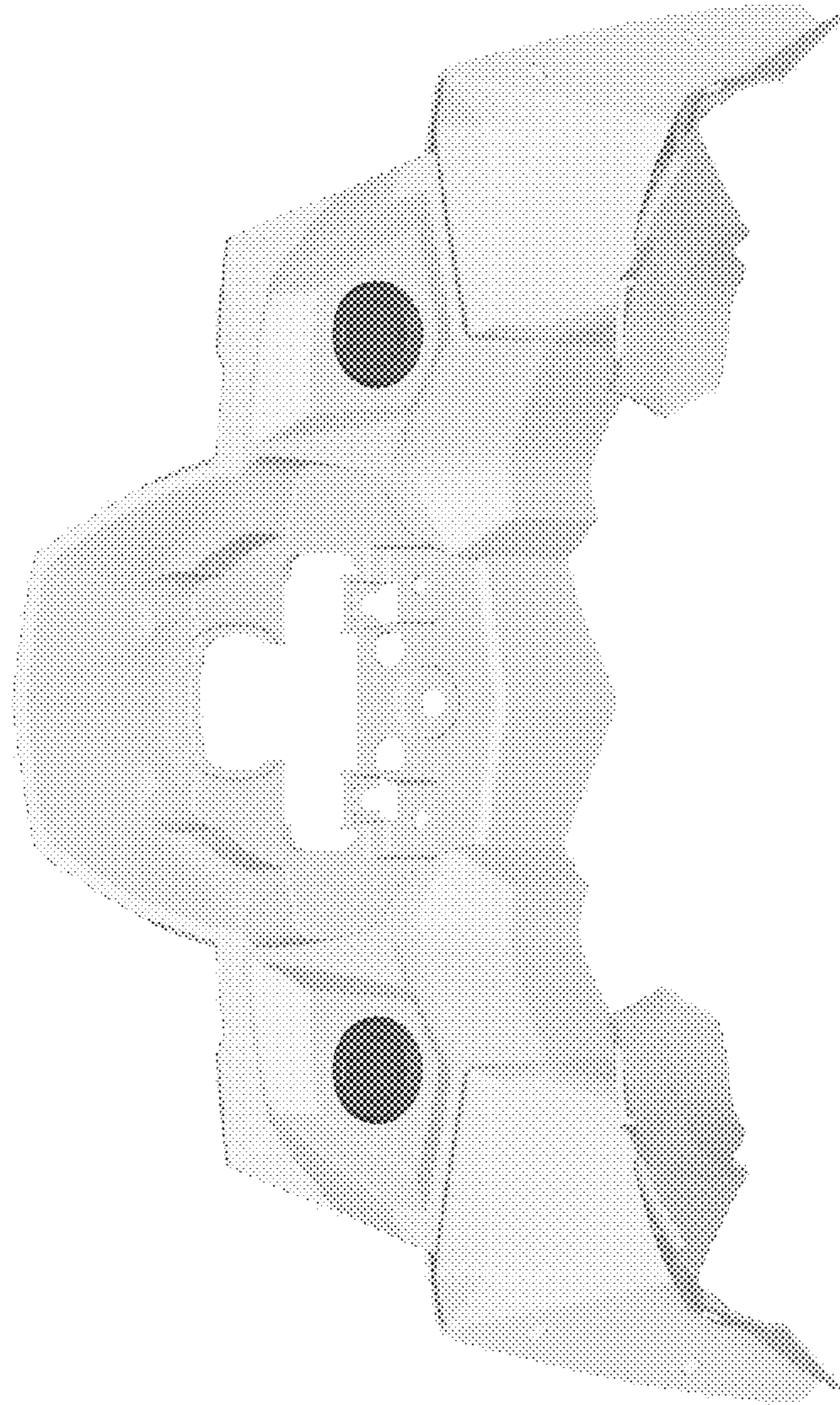


Fig. 1

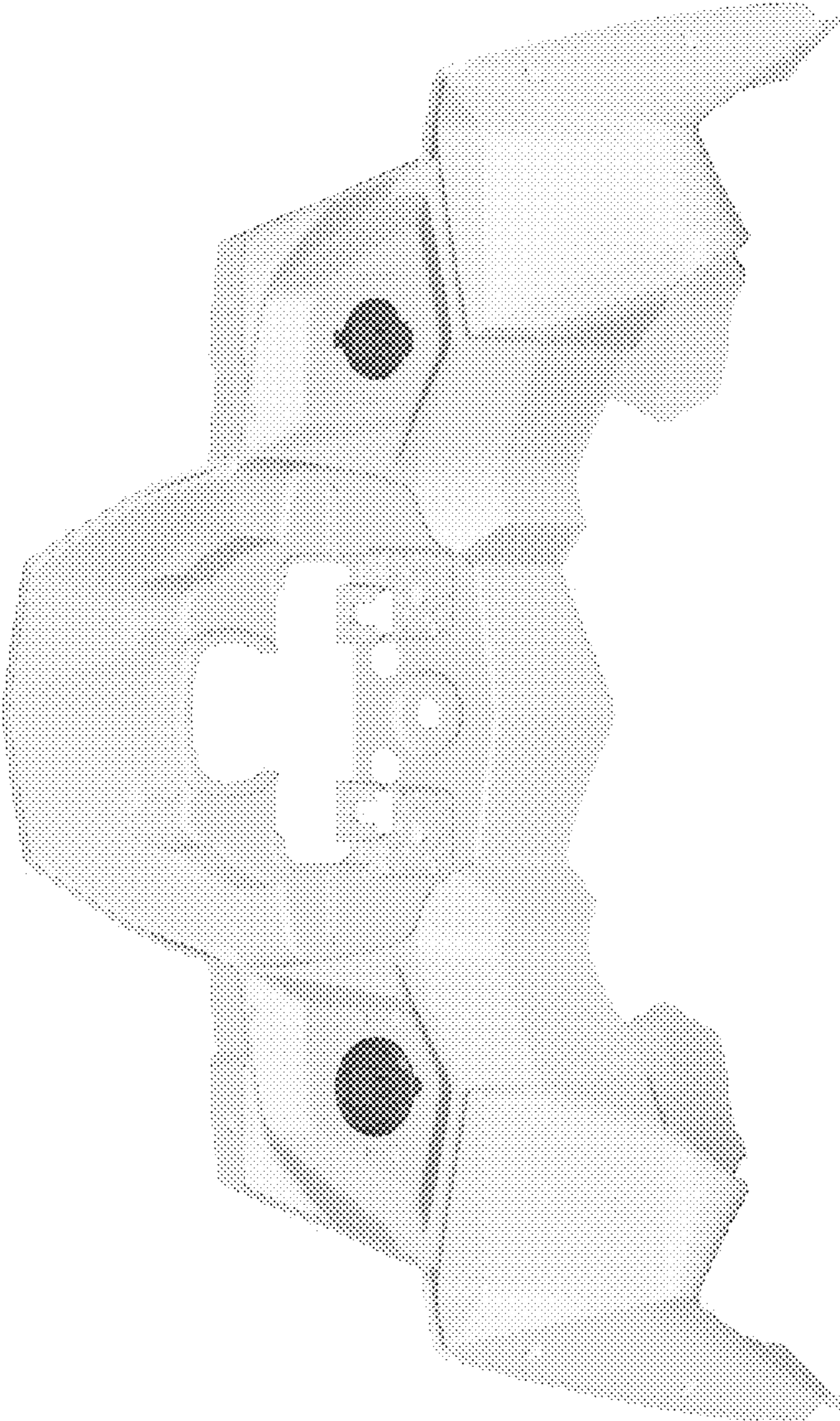


Fig. 2

Fig. 3

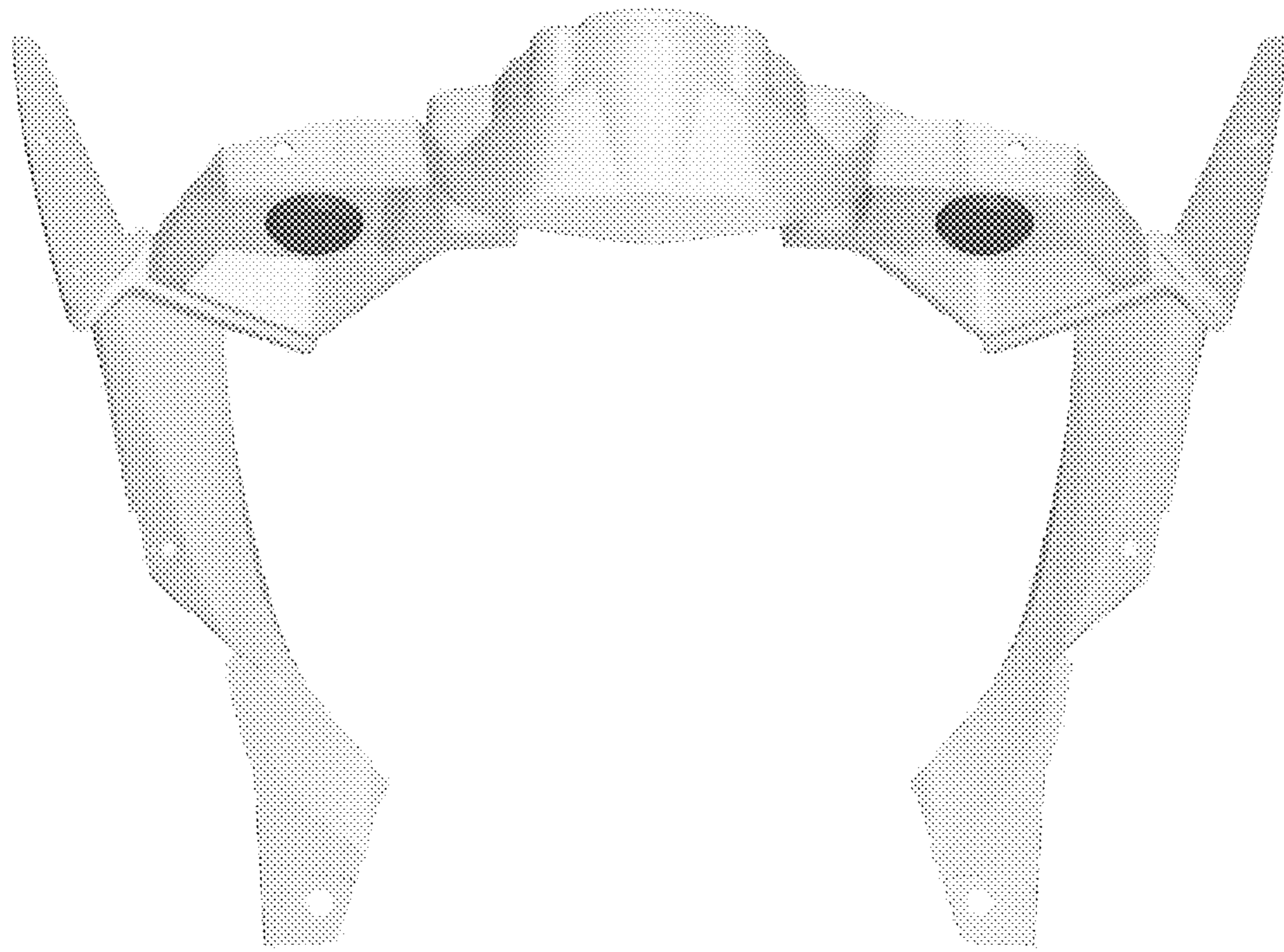
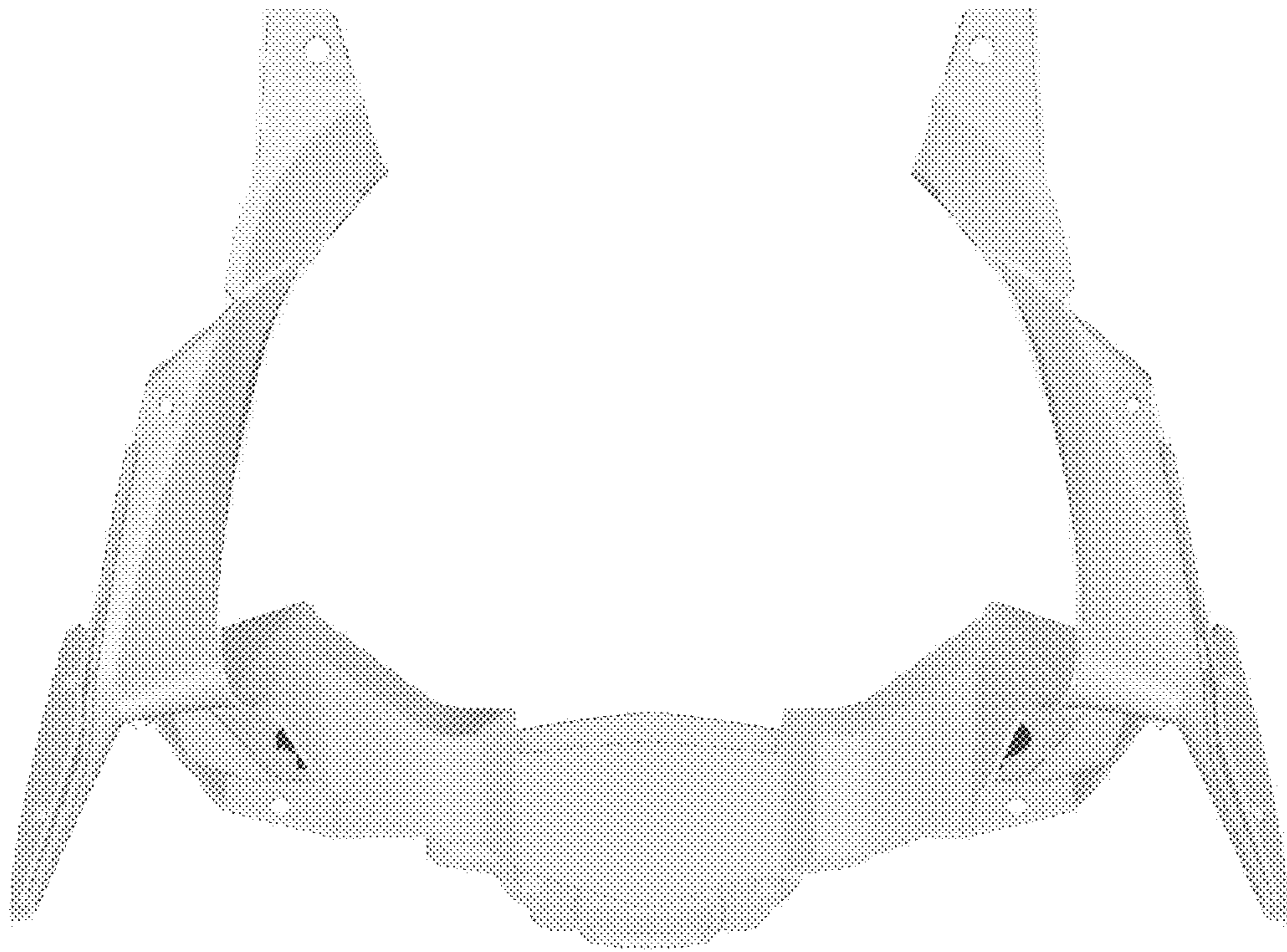


Fig. 4



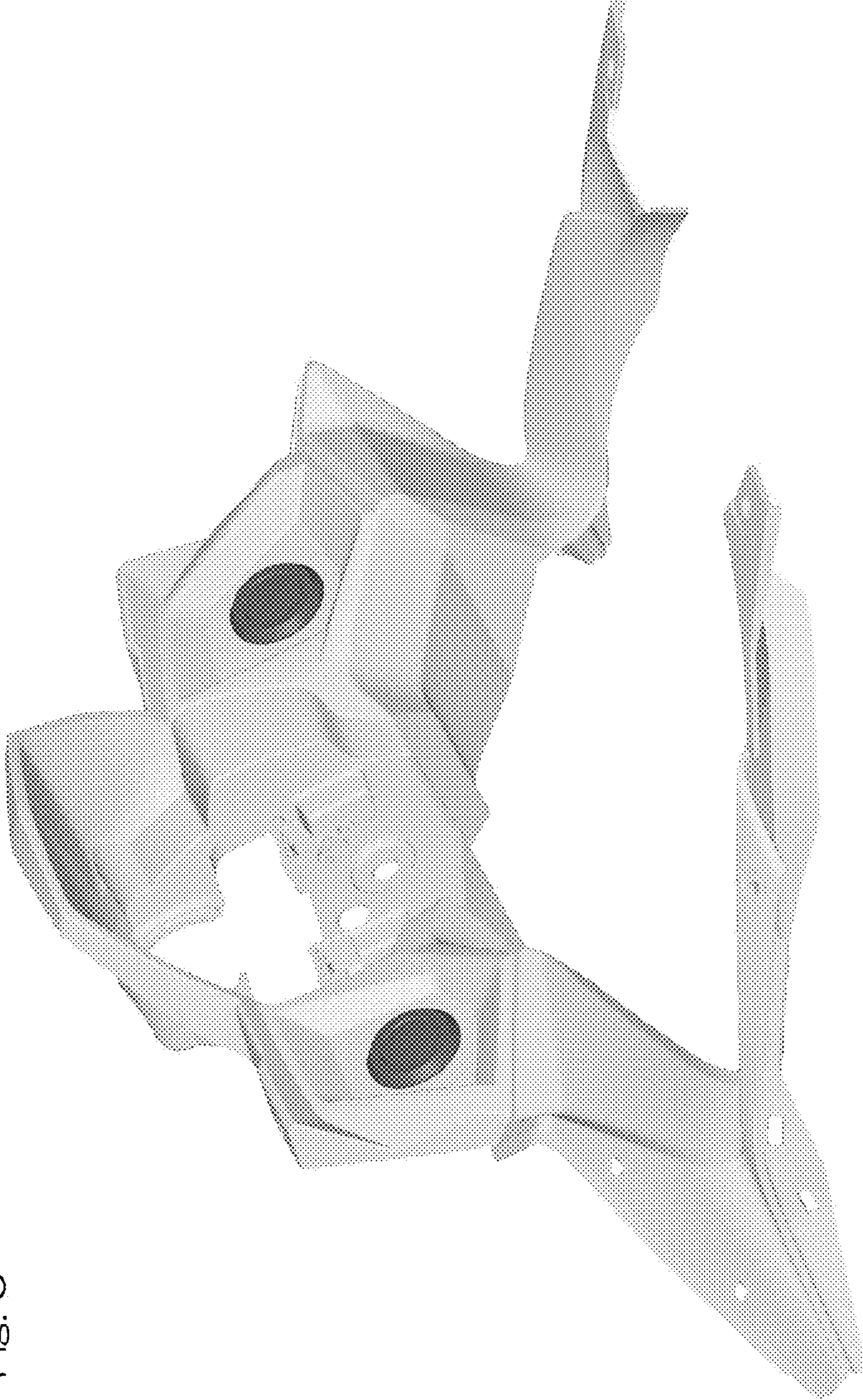


Fig. 5

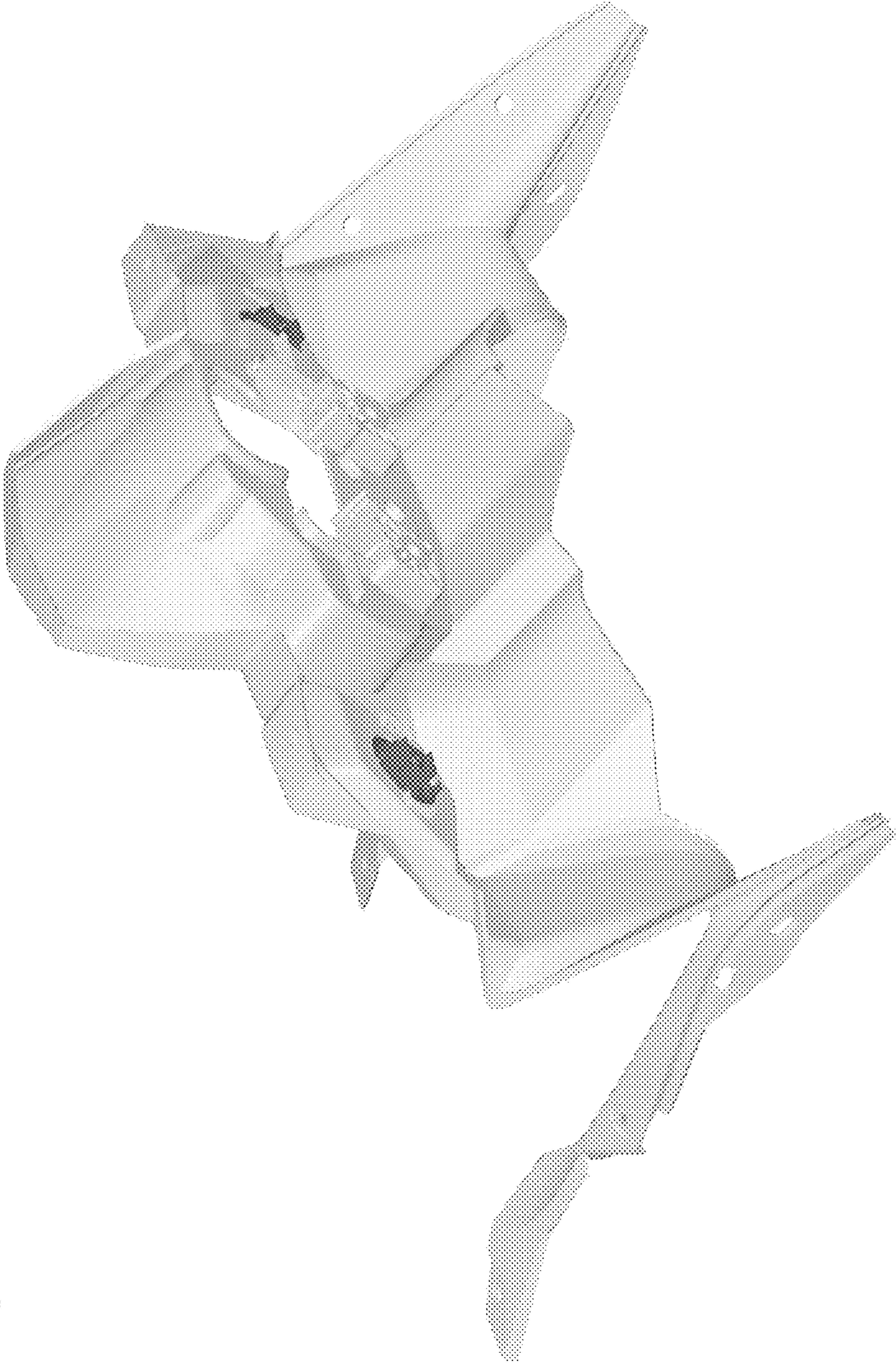


Fig. 6

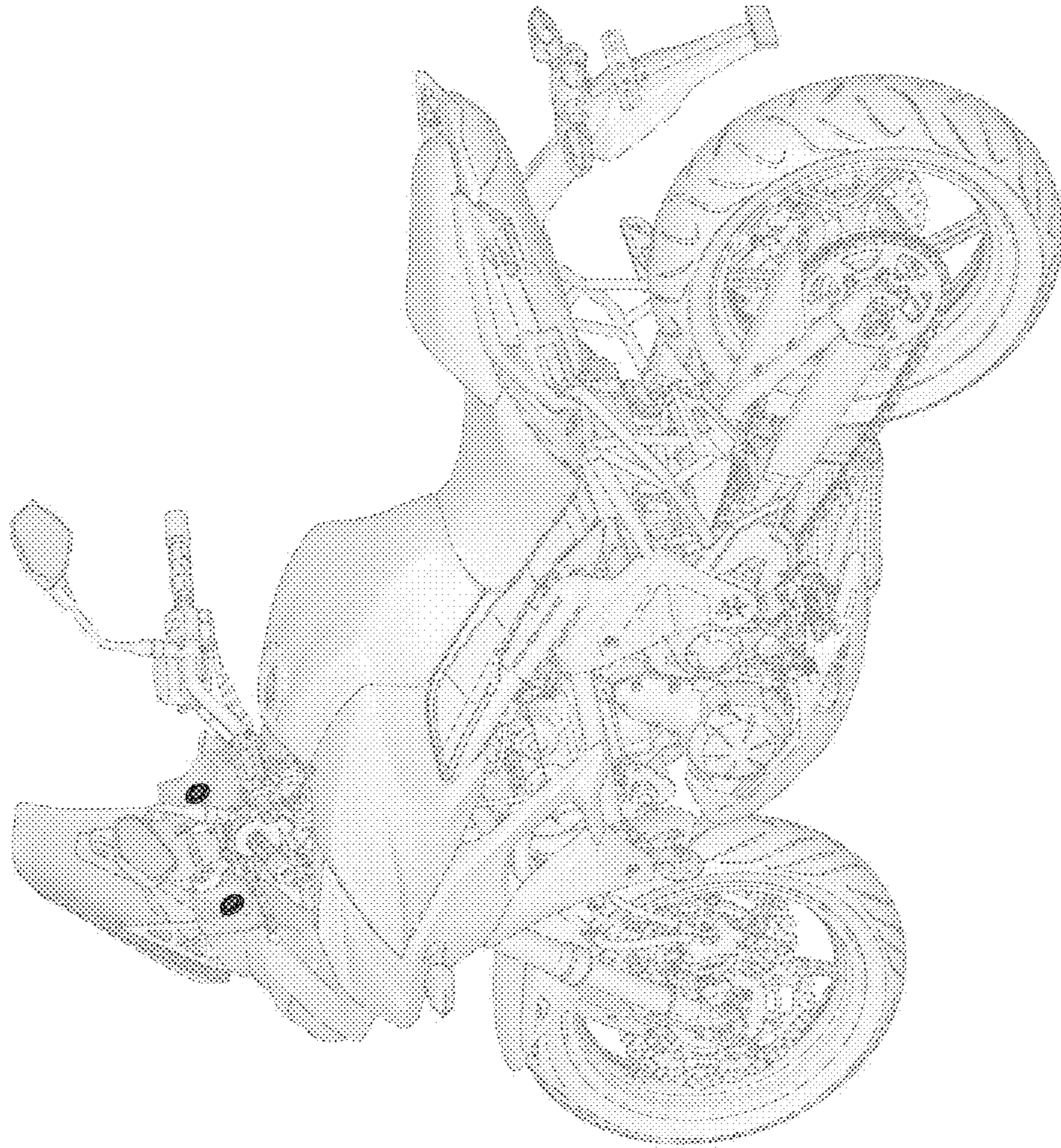


Fig. 7