



US00D763749S

(12) **United States Design Patent**
Hamanaga et al.

(10) **Patent No.:** **US D763,749 S**
(45) **Date of Patent:** **** Aug. 16, 2016**

(54) **STEERING PAD FOR AUTOMOBILE**

(71) Applicant: **Honda Motor Co., Ltd.**, Tokyo (JP)

(72) Inventors: **Daiki Hamanaga**, Wako (JP); **Tatsuki Miyashita**, Wako (JP)

(73) Assignee: **Honda Motor Co., Ltd.**, Tokyo (JP)

(**) Term: **14 Years**

(21) Appl. No.: **29/521,072**

(22) Filed: **Mar. 19, 2015**

(30) **Foreign Application Priority Data**

Sep. 24, 2014 (JP) 2014-021120

(51) **LOC (10) Cl.** **12-16**

(52) **U.S. Cl.**
USPC **D12/177**

(58) **Field of Classification Search**
USPC D12/175, 176, 177; D14/401, 414;
D21/333, 385, 477, 566; 340/475;
280/782.2, 728.3, 731; 74/552, 558,
74/558.5

CPC B60R 21/00; B60R 21/203; B60R 21/215;
B60R 21/216; B62D 1/04

See application file for complete search history.

(56) **References Cited**

U.S. PATENT DOCUMENTS

- 7,004,048 B2 * 2/2006 Kobayashi B62D 1/04
74/552
- 7,556,282 B2 * 7/2009 Vigeant B60R 21/2035
280/728.2
- D651,542 S * 1/2012 Nagasawa D12/176
- D679,637 S * 4/2013 Mihashi D12/177
- 8,419,052 B2 * 4/2013 Yamaji B60R 21/2037
280/728.2
- 8,448,982 B2 * 5/2013 Yamaji B60R 21/2037
280/728.2

- D708,100 S * 7/2014 Nakai D12/177
- D710,270 S * 8/2014 Kanki D12/176
- D713,307 S * 9/2014 Kanki D12/176
- 8,820,781 B2 * 9/2014 Sato B60R 21/203
280/731
- 8,905,430 B2 * 12/2014 Ishikawa B60R 21/215
280/728.3
- 9,027,955 B2 * 5/2015 Muramatsu B60R 21/2165
280/728.2
- 9,205,796 B2 * 12/2015 Nonoyama B60R 21/215
- 2009/0058055 A1 * 3/2009 Fujimori B60R 21/21656
280/731
- 2009/0085334 A1 * 4/2009 Matsu B60R 21/2037
280/731
- 2010/0102538 A1 * 4/2010 Paxton B60Q 3/004
280/728.3
- 2010/0308565 A1 * 12/2010 Perez Garcia B60R 21/2165
280/728.3
- 2011/0062688 A1 * 3/2011 Hayashi B60R 21/21656
280/728.3

(Continued)

Primary Examiner — Rosemary K Tarcza

Assistant Examiner — Yolanda Robinson

(74) *Attorney, Agent, or Firm* — Plumsea Law Group, LLC

(57) **CLAIM**

The ornamental design for a steering pad for automobile, as shown and described.

DESCRIPTION

FIG. 1 is a perspective view from the front left side of a steering pad for automobile.

FIG. 2 is a front elevation view thereof.

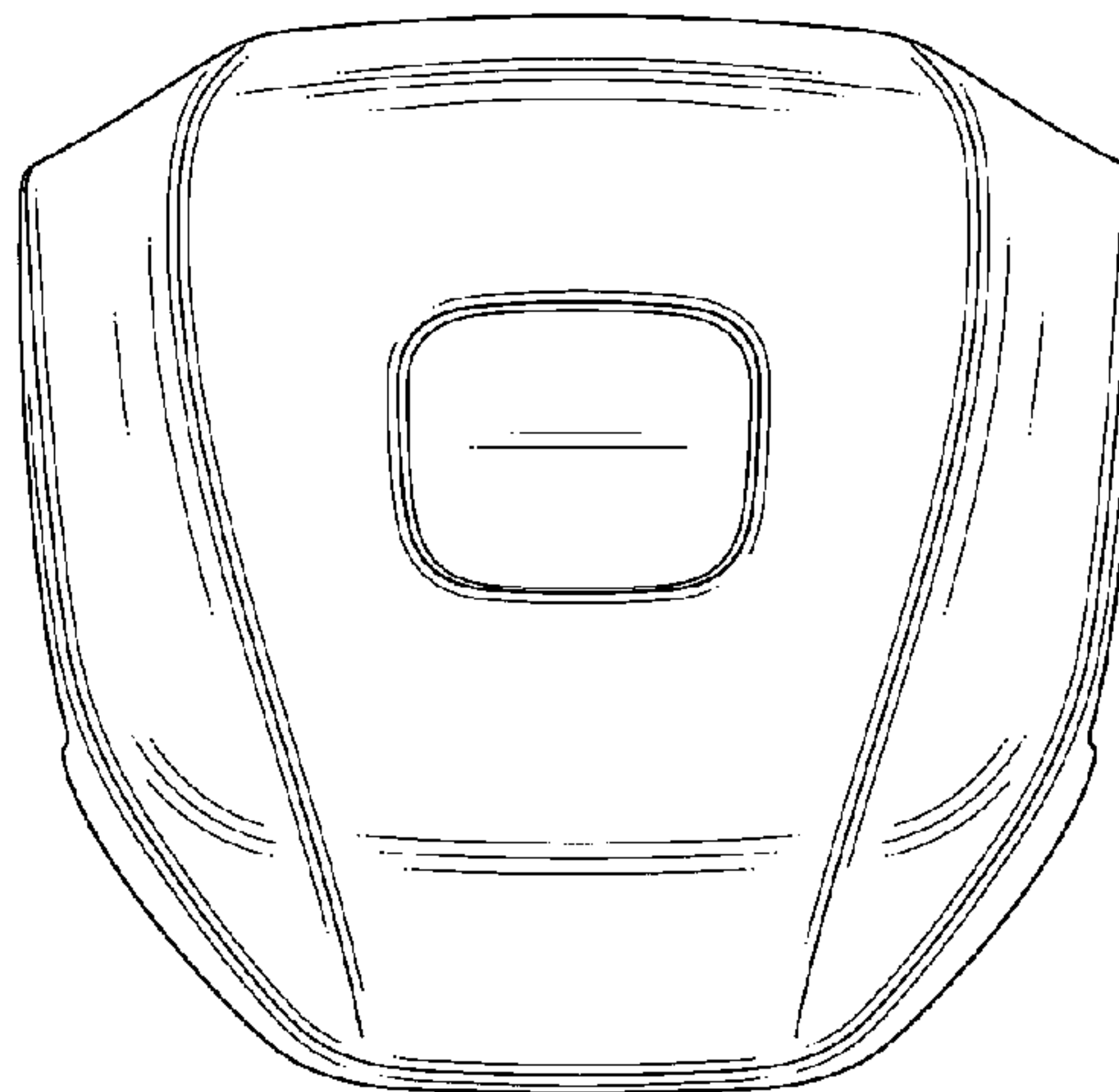
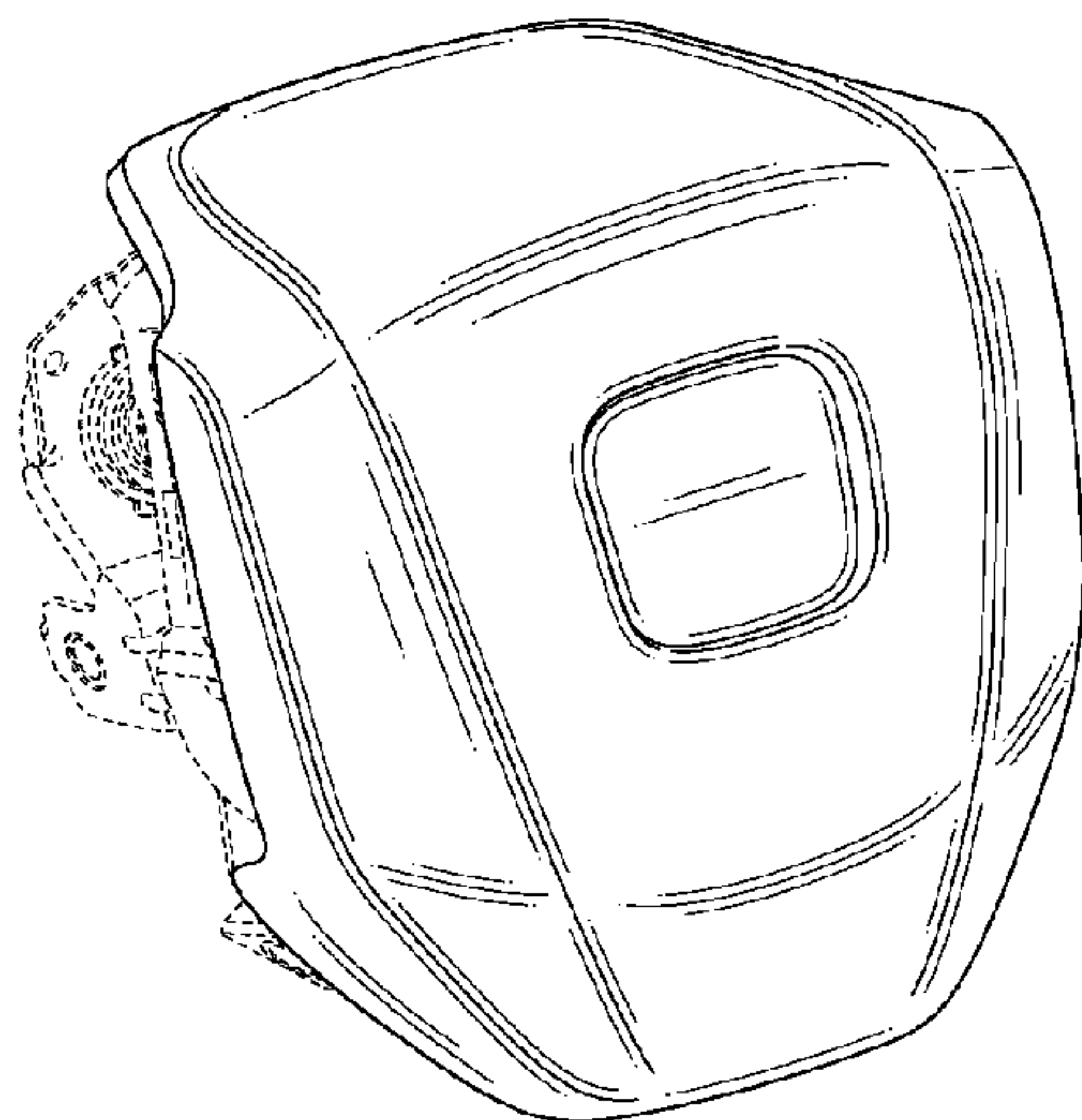
FIG. 3 is a top plan view thereof.

FIG. 4 is a bottom plan view thereof; and,

FIG. 5 is a right side elevation view thereof. A left side elevation view is a mirror image of the right side elevation view.

The broken lines shown in the drawings illustrate portions of the steering pad for automobile that form no part of claimed design.

1 Claim, 5 Drawing Sheets



(56)

References Cited

U.S. PATENT DOCUMENTS

2011/0101651	A1 *	5/2011	Bierwirth	B60R 21/2644 280/728.2
2012/0306183	A1 *	12/2012	Yamaji	B60R 21/2037 280/731
2012/0306184	A1 *	12/2012	Yamaji	B60R 21/2037 280/731
2012/0313357	A1 *	12/2012	Yamaji	B60R 21/203 280/731
2013/0154242	A1 *	6/2013	Sato	B60R 21/203 280/728.2
2013/0233120	A1 *	9/2013	Golomb	B60Q 1/0082 74/552
2013/0285355	A1 *	10/2013	Muramatsu	B60R 21/215 280/728.3
2014/0062067	A1 *	3/2014	Hardin	B60R 21/21656 280/728.3
2014/0145419	A1 *	5/2014	Ishikawa	B60R 21/215 280/728.3
2015/0069740	A1 *	3/2015	Onohara	B60R 21/203 280/728.3
2015/0091277	A1 *	4/2015	Nonoyama	B60R 21/215 280/728.3
2015/0108742	A1 *	4/2015	Bosch	B60R 21/203 280/728.3
2015/0210239	A1 *	7/2015	Sakaguchi	B60R 21/203 280/728.2
2015/0239417	A1 *	8/2015	Kawabe	B60R 13/005 280/728.2

* cited by examiner

FIG. 1

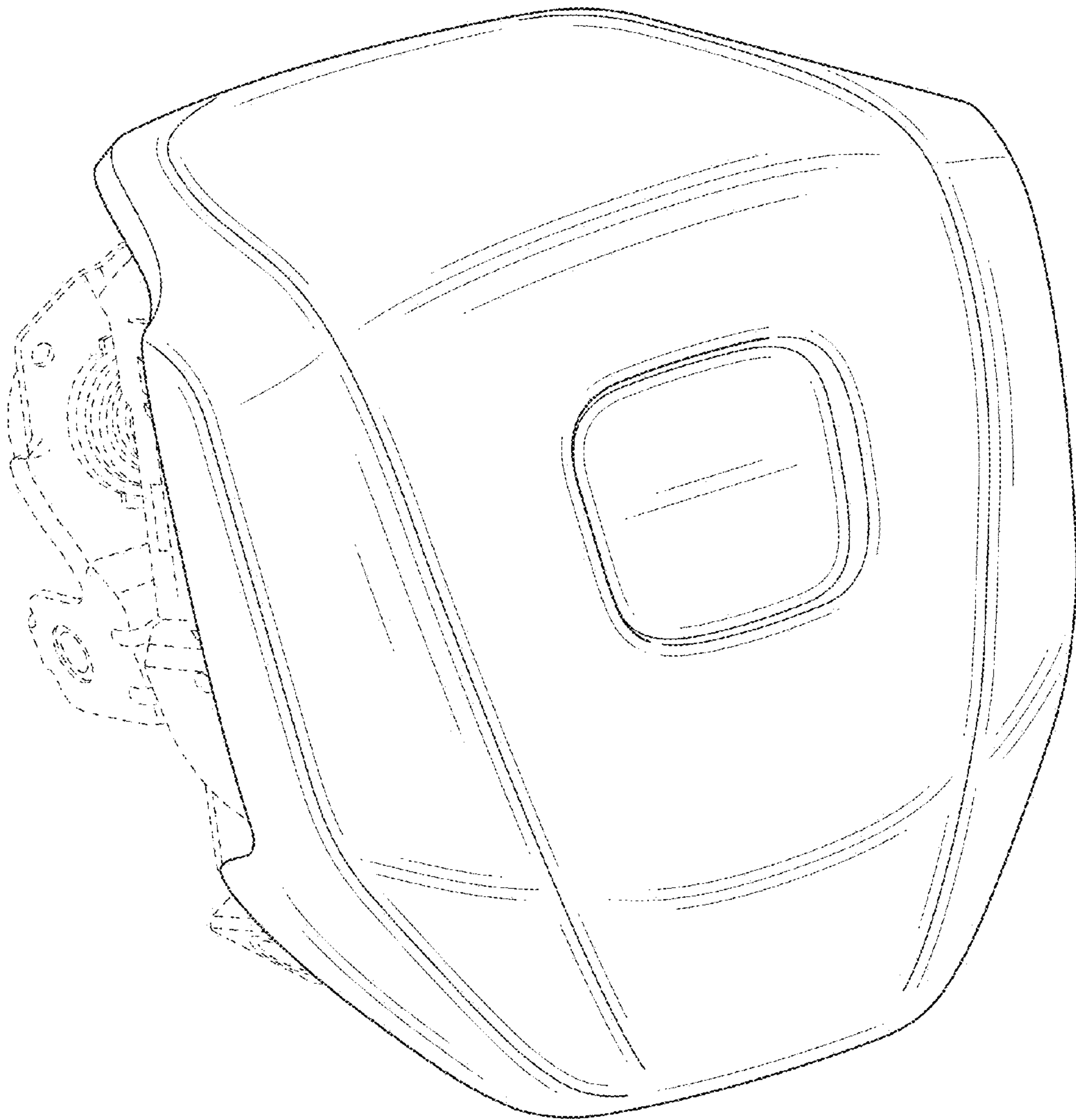


FIG. 2

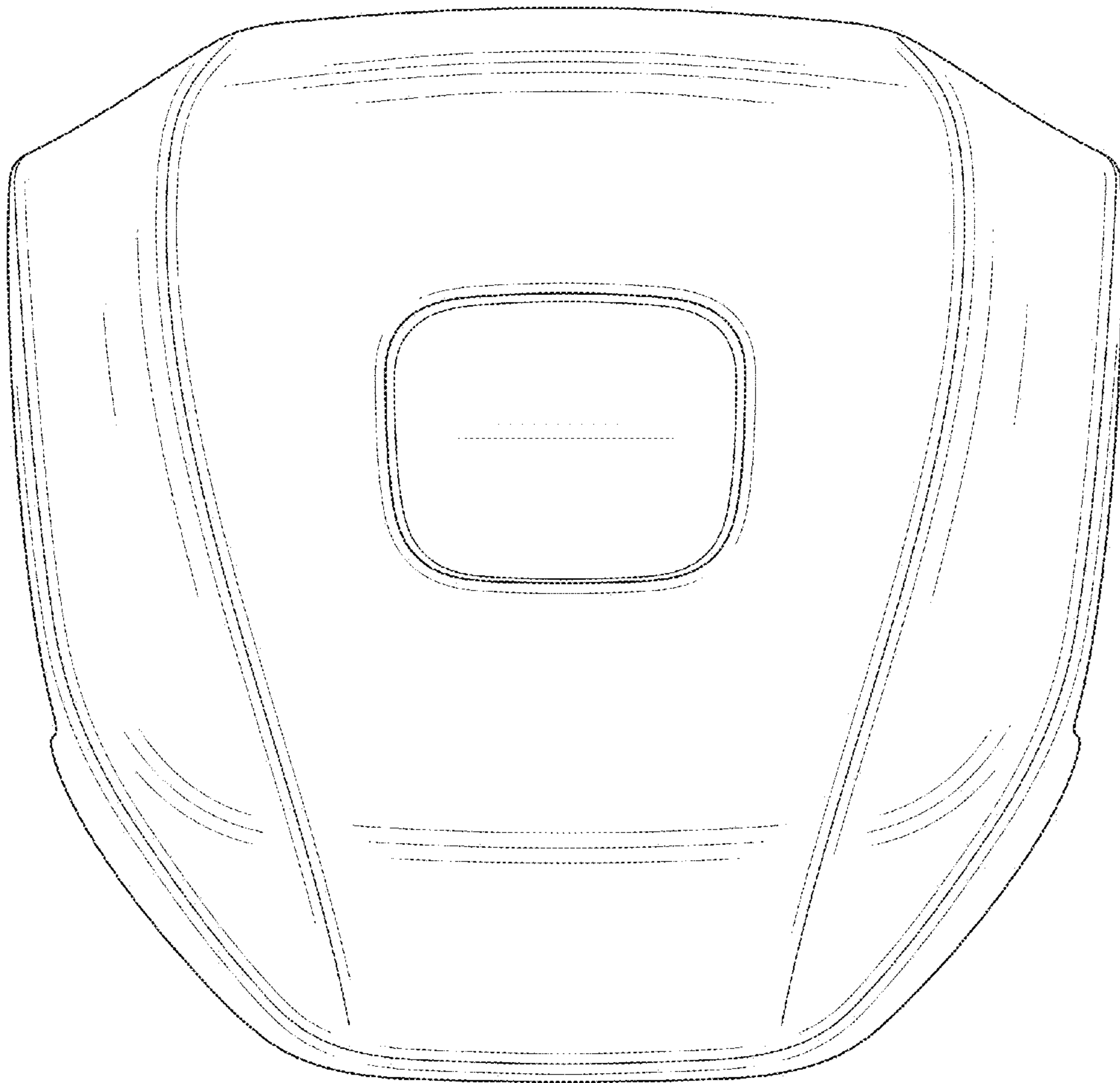


FIG. 3

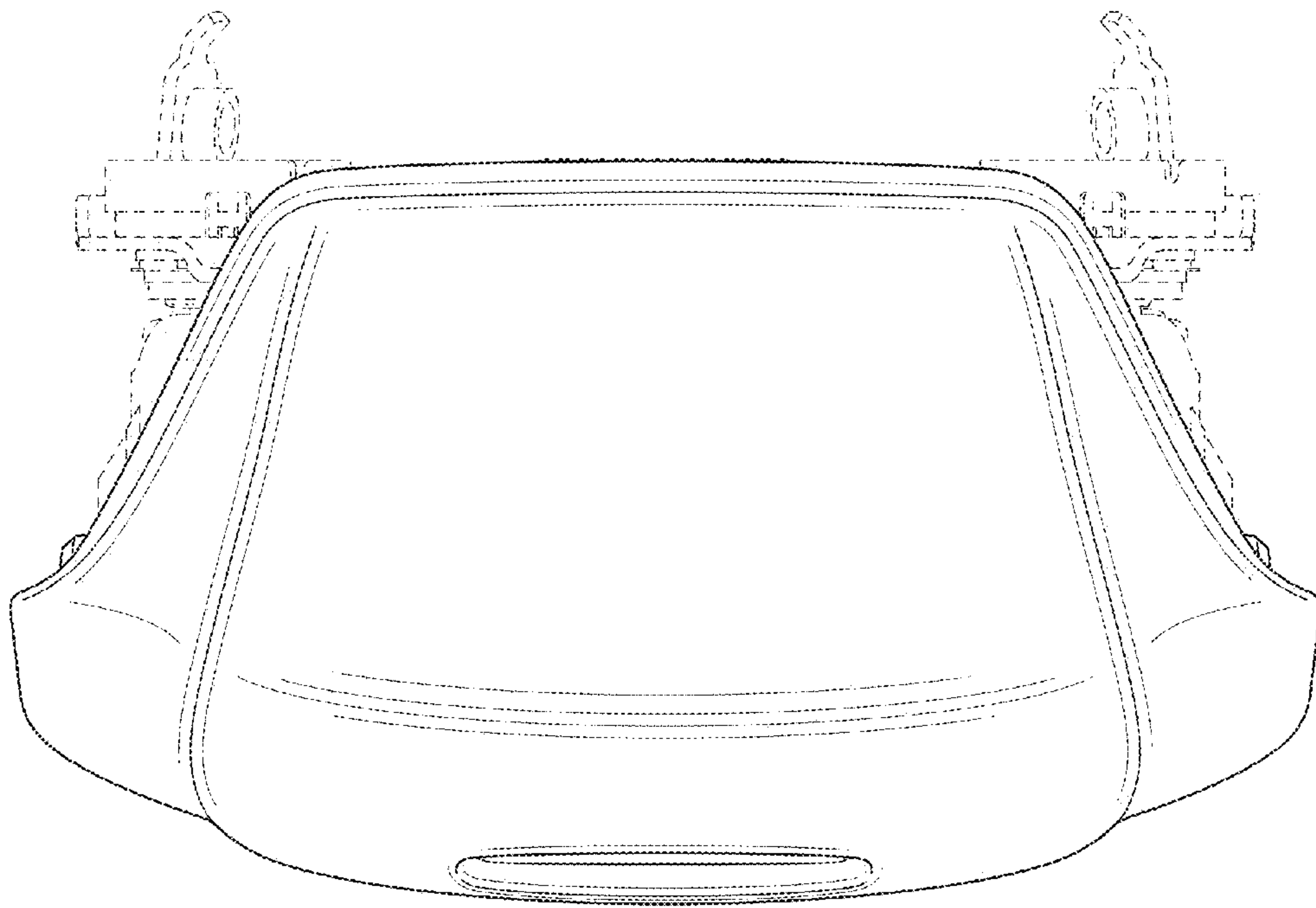


FIG. 4

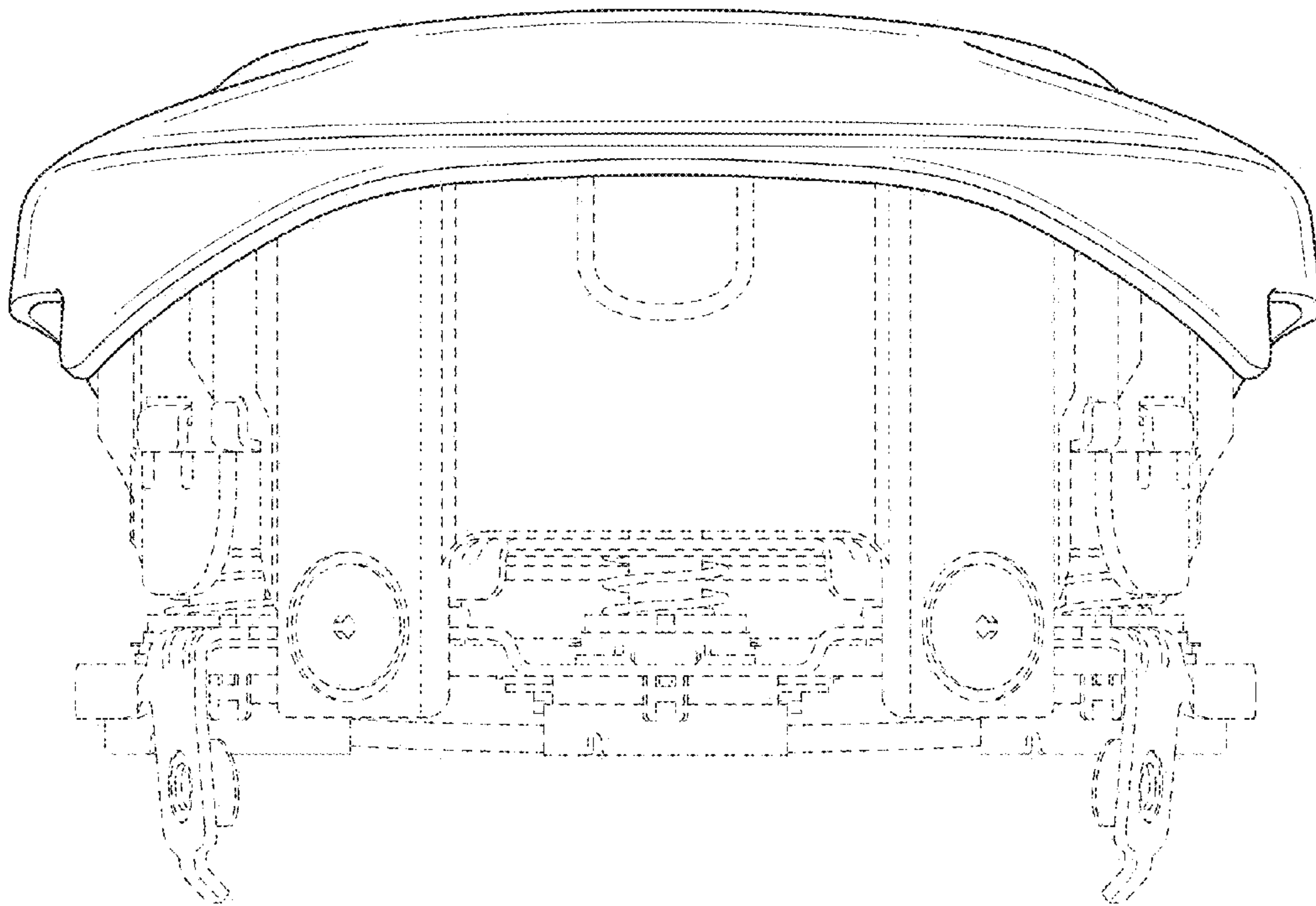


FIG. 5

