



US00D763742S

(12) **United States Design Patent**  
**Noble**

(10) **Patent No.:** **US D763,742 S**

(45) **Date of Patent:** **\*\* Aug. 16, 2016**

(54) **BOLSTER SPRING**

(71) Applicant: **Hendrickson USA, L.L.C.**, Itasca, IL (US)

(72) Inventor: **Shawn D. Noble**, Naperville, IL (US)

(73) Assignee: **Hendrickson USA, L.L.C.**, Itasca, IL (US)

(\*\*) Term: **14 Years**

(21) Appl. No.: **29/520,430**

(22) Filed: **Mar. 13, 2015**

(51) **LOC (10) Cl.** ..... **12-16**

(52) **U.S. Cl.**  
USPC ..... **D12/159**

(58) **Field of Classification Search**  
USPC ..... D12/159  
CPC ..... B62D 1/046; B62D 1/185; B62D 1/195;  
B62D 1/187; B60G 11/22; B60G 2204/125;  
B60G 2202/143; B60G 2202/142; B60G  
2204/41; B60G 2202/14; B60G 2206/73  
See application file for complete search history.

(56) **References Cited**

U.S. PATENT DOCUMENTS

4,000,914	A	1/1977	Wragg	
6,585,286	B2	7/2003	Adema et al.	
D605,984	S *	12/2009	Noble	D12/159
D610,952	S *	3/2010	Noble	D12/159
8,152,195	B2	4/2012	Noble et al.	
D677,607	S *	3/2013	Moriyama	D12/159
D699,637	S *	2/2014	Noble	D12/160
8,720,937	B2 *	5/2014	Noble	F16F 1/373 267/140
9,004,512	B2	4/2015	Noble et al.	

9,150,071	B2 *	10/2015	Noble	B60G 5/02
2008/0030006	A1 *	2/2008	Sellers	B60G 9/00 280/686
2016/0089942	A1 *	3/2016	Noble	B60G 5/02 280/677

FOREIGN PATENT DOCUMENTS

GB	2 069 424	8/1981
GB	2 252 276	8/1992

OTHER PUBLICATIONS

Hendrickson, Haulmaxx, Technical Procedure, Service Instructions, Lit. No. 17730-244, Dec. 2007, Rev. C, 48 pages.

(Continued)

*Primary Examiner* — Michael A Pratt

(74) *Attorney, Agent, or Firm* — McDonnell Boehnen Hulbert & Berghoff LLP.

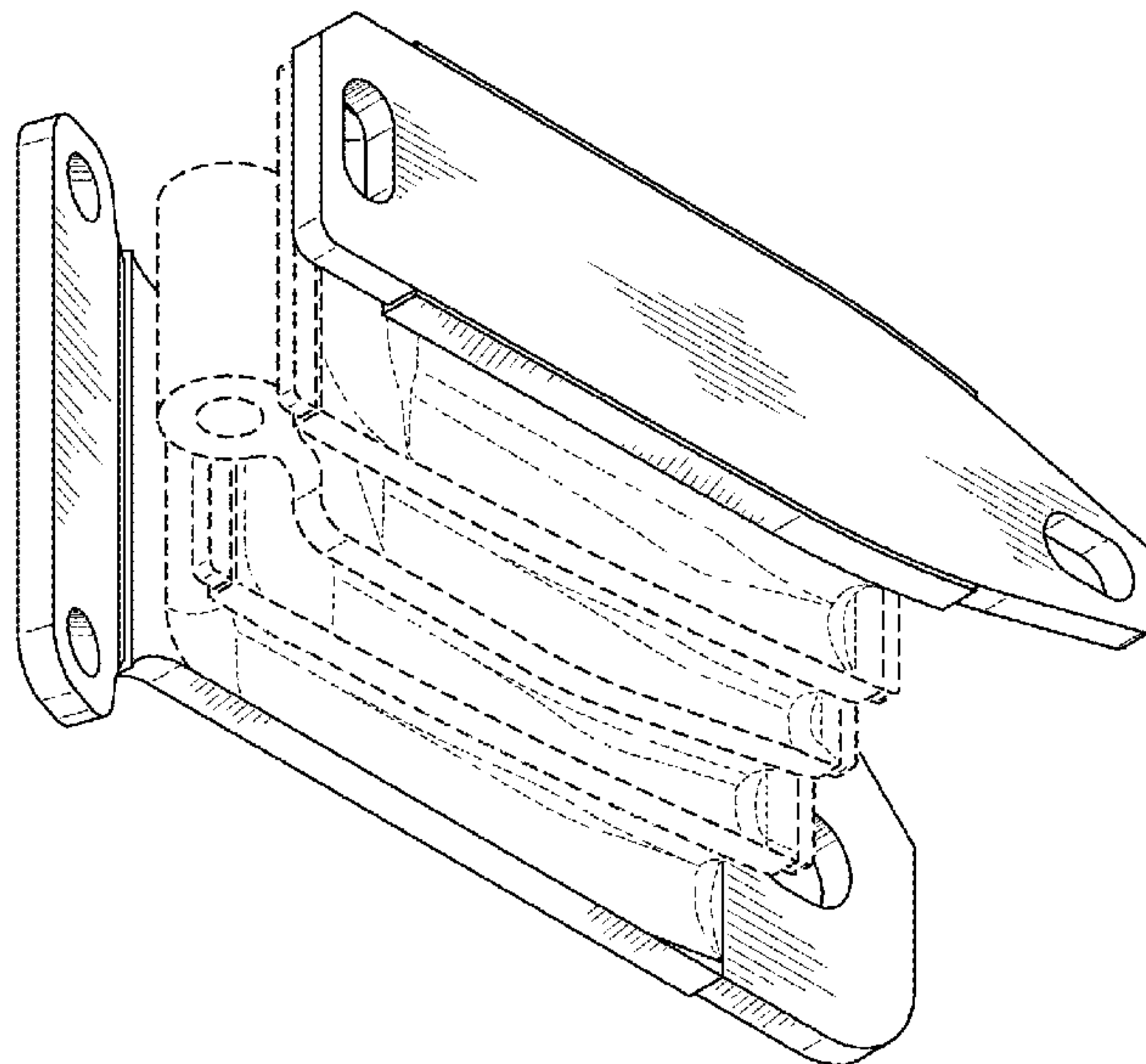
(57) **CLAIM**

The ornamental design for a bolster spring, as shown and described.

**DESCRIPTION**

FIG. 1 is a perspective top and left side view of a bolster spring having the inventive design; FIG. 2 is a rear view of the bolster spring shown in FIG. 1; FIG. 3 is front view of the bolster spring shown in FIG. 1; FIG. 4 is a left side view of the bolster spring shown in FIG. 1; FIG. 5 is a right side view of the bolster spring shown in FIG. 1; FIG. 6 is a to view of the bolster spring shown in FIG. 1; and, FIG. 7 is a bottom view of the bolster spring shown in FIG. 1. The broken lines in the drawings are for the purpose of illustrating portions of the bolster spring that form no part of the claimed design.

**1 Claim, 3 Drawing Sheets**



(56)

**References Cited**

OTHER PUBLICATIONS

Hendrickson, HN Series, VariRate Spring System, Lit. No. 45745-087, Rev. K, Apr. 2014, 3 pages.

International Searching Authority, International Search Report and Written Opinion for PCT/US2014/060704 mailed May 11, 2015, 10 pages.

\* cited by examiner

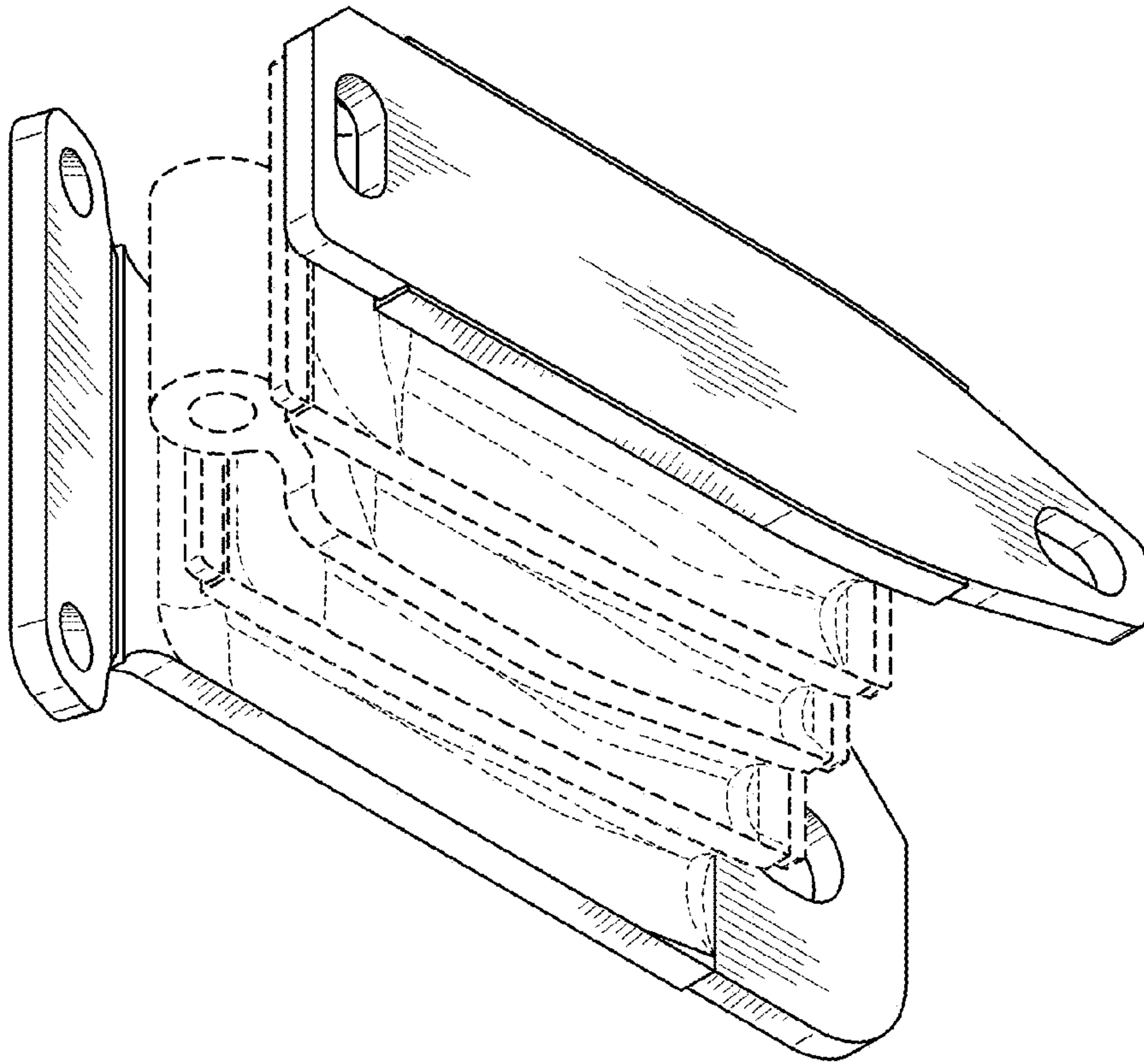


FIG. 1

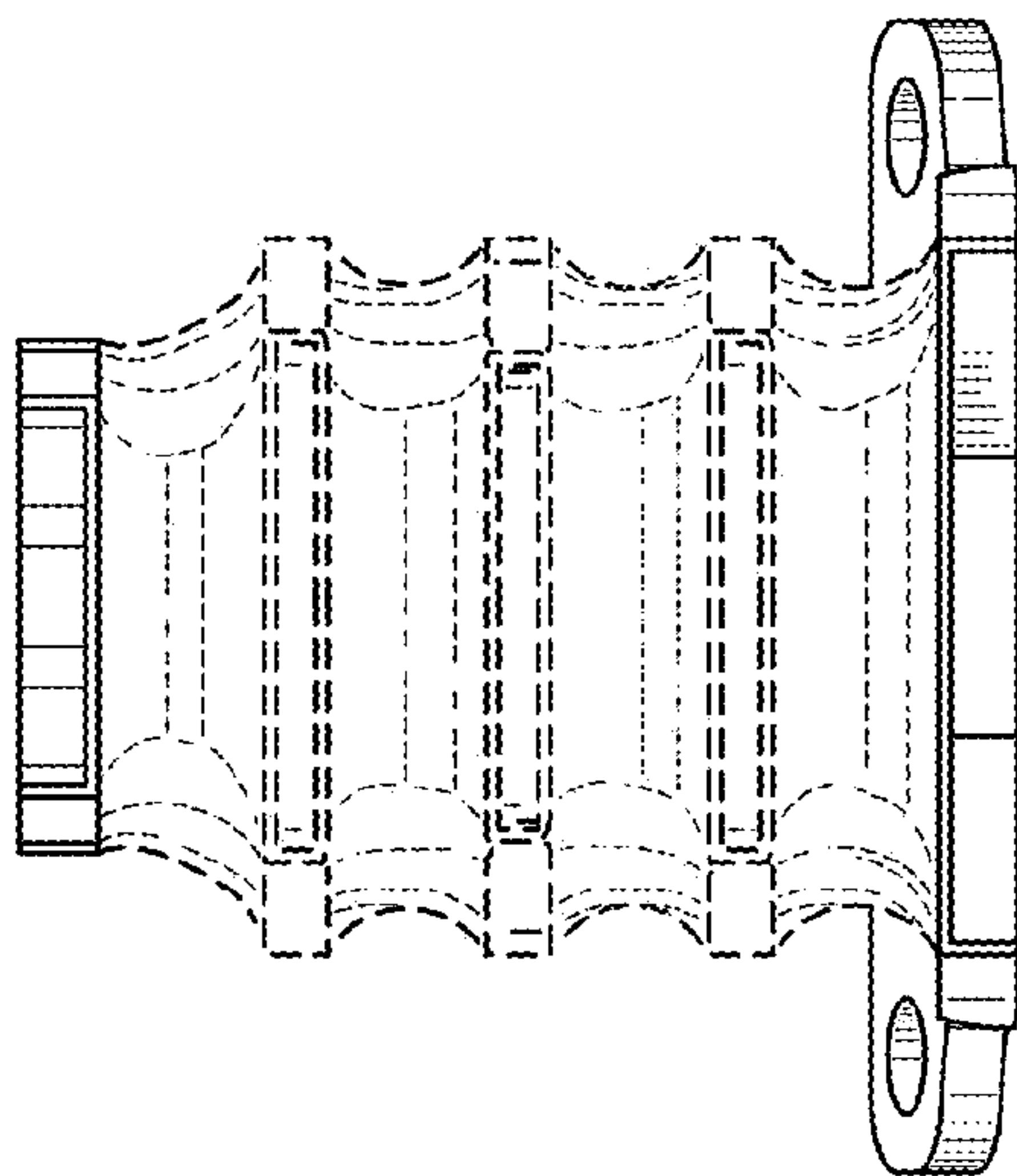


FIG. 2

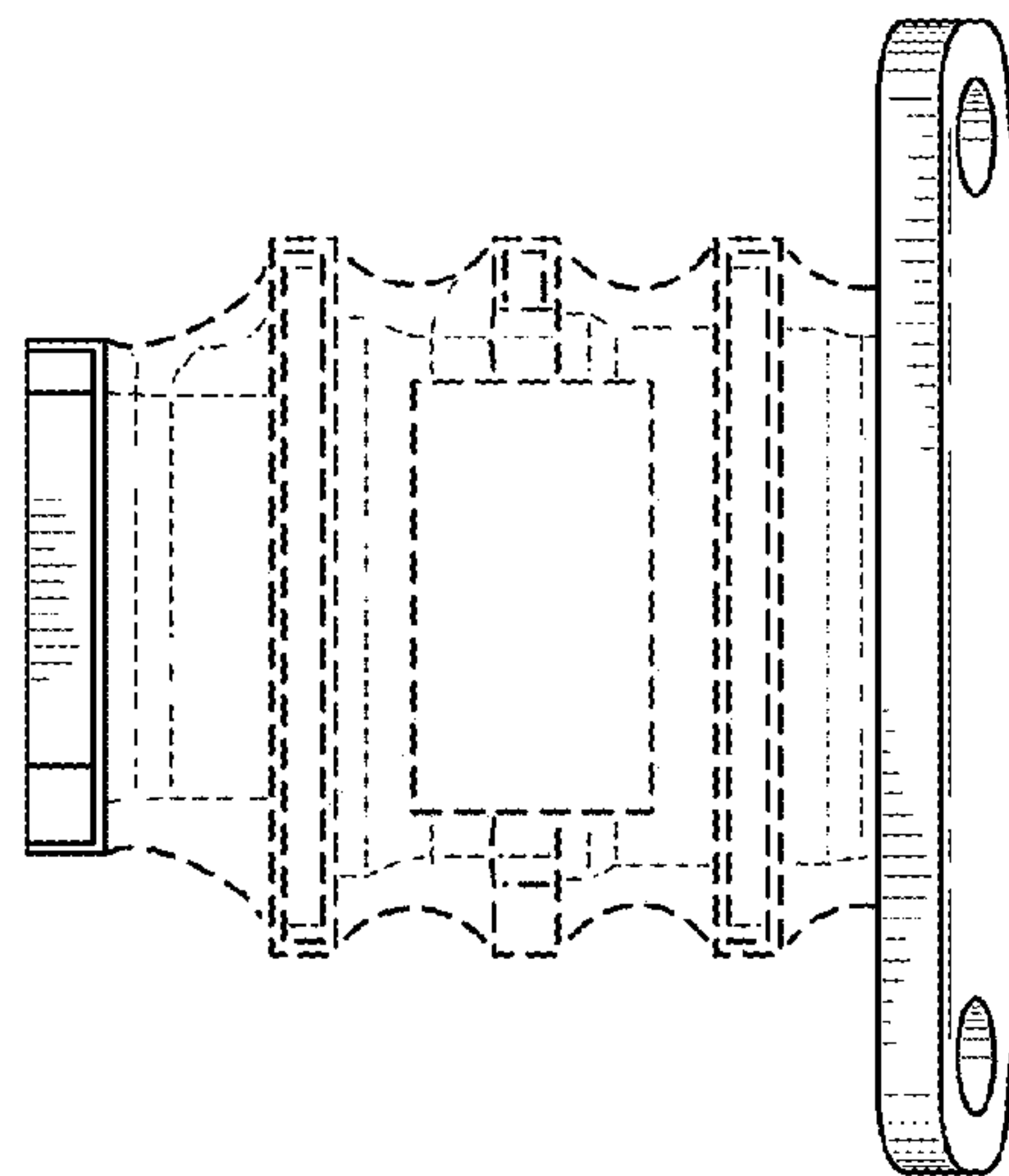


FIG. 3

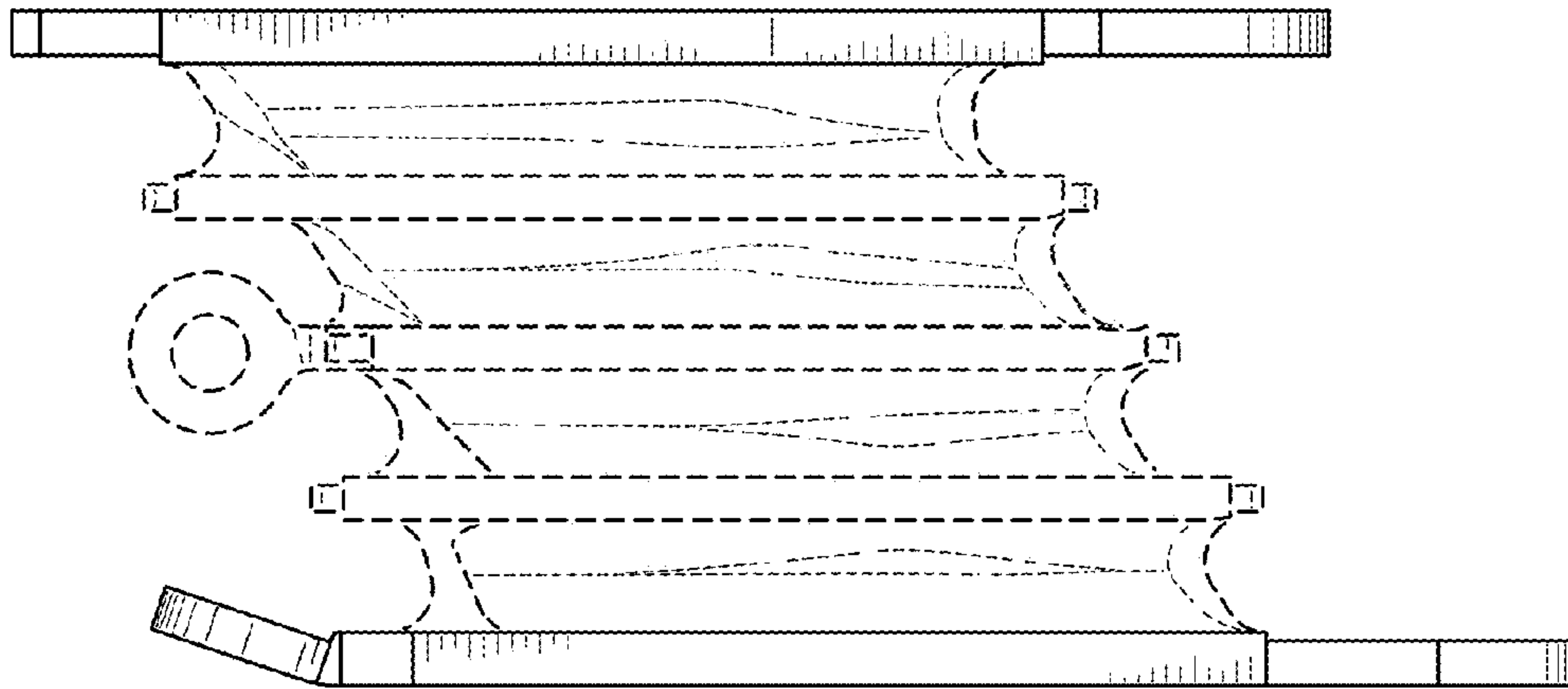


FIG. 4

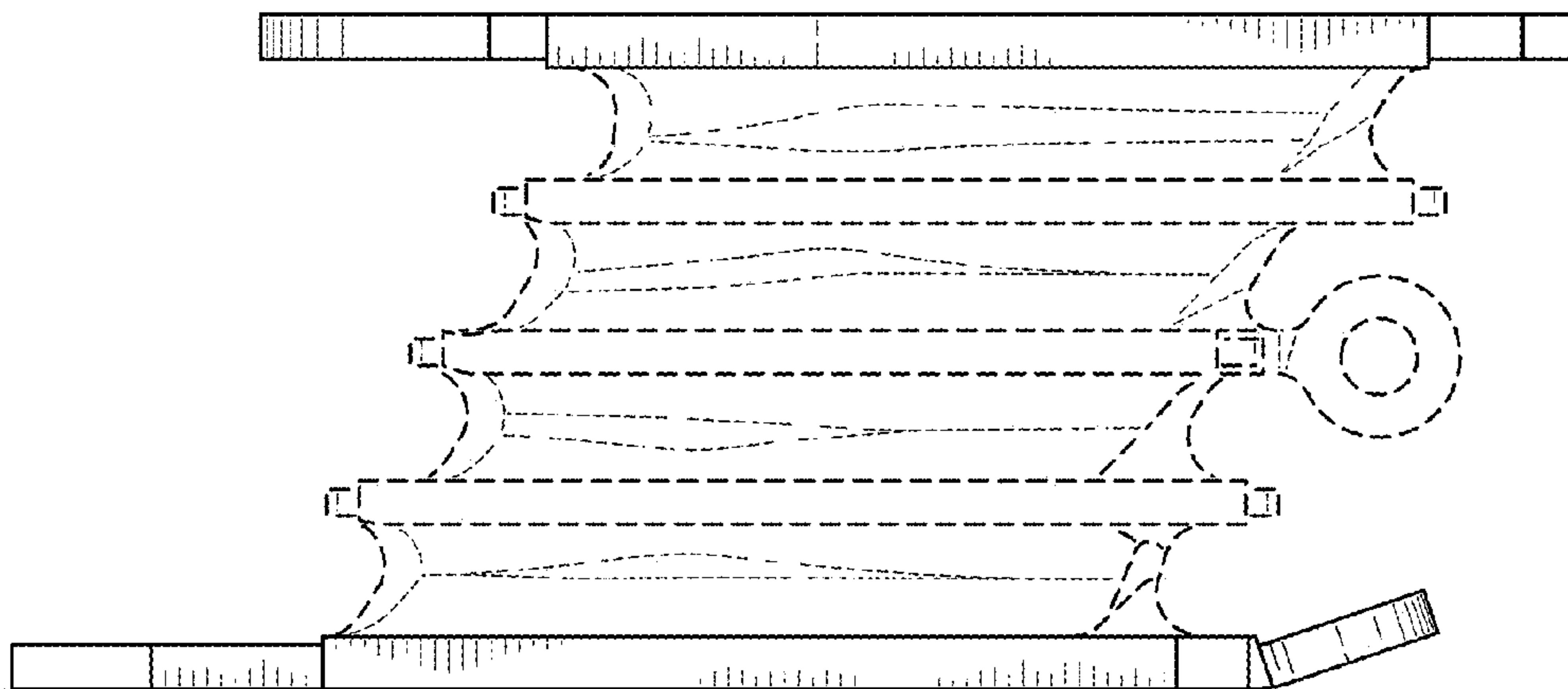


FIG. 5

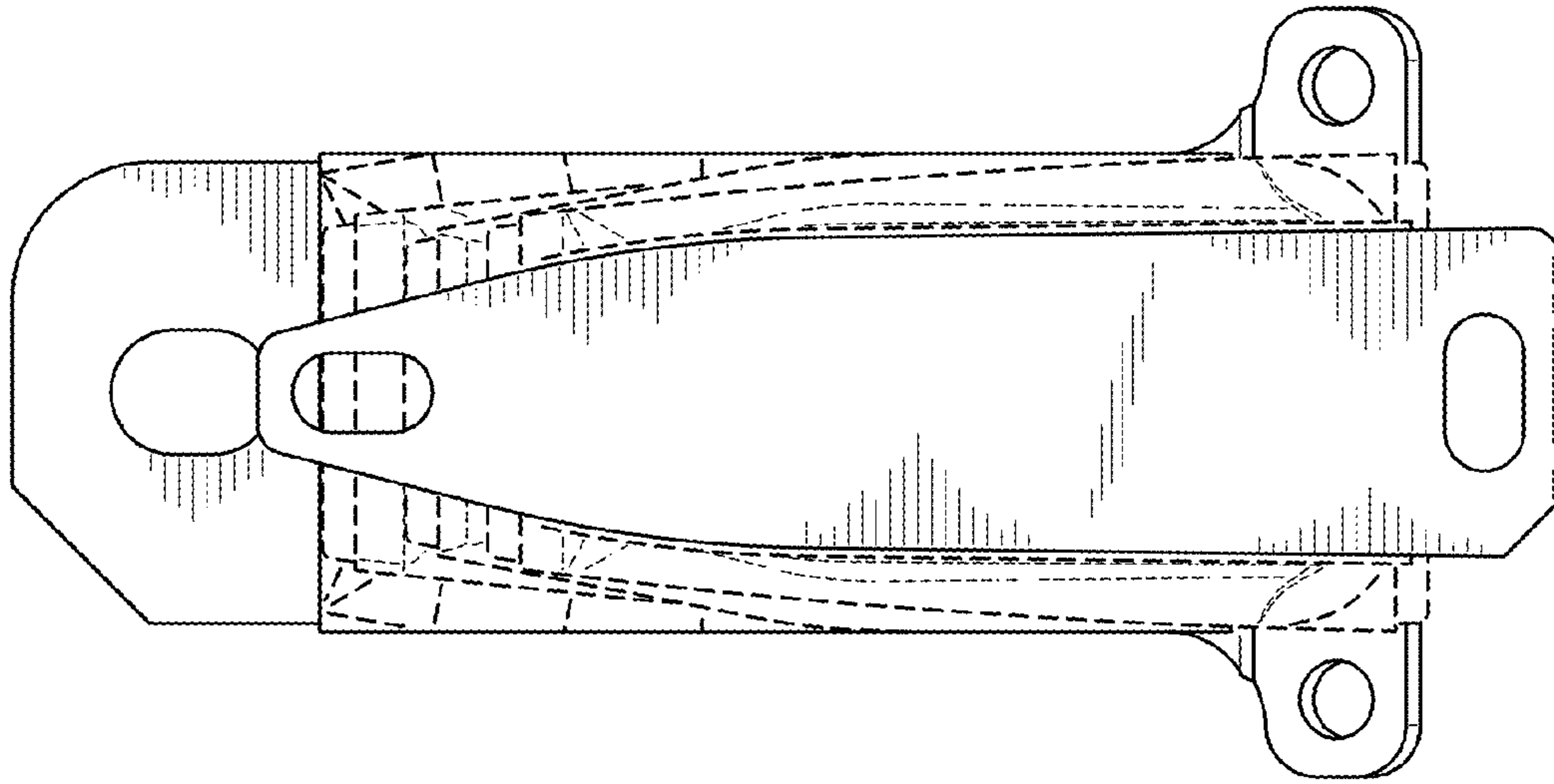


FIG. 6

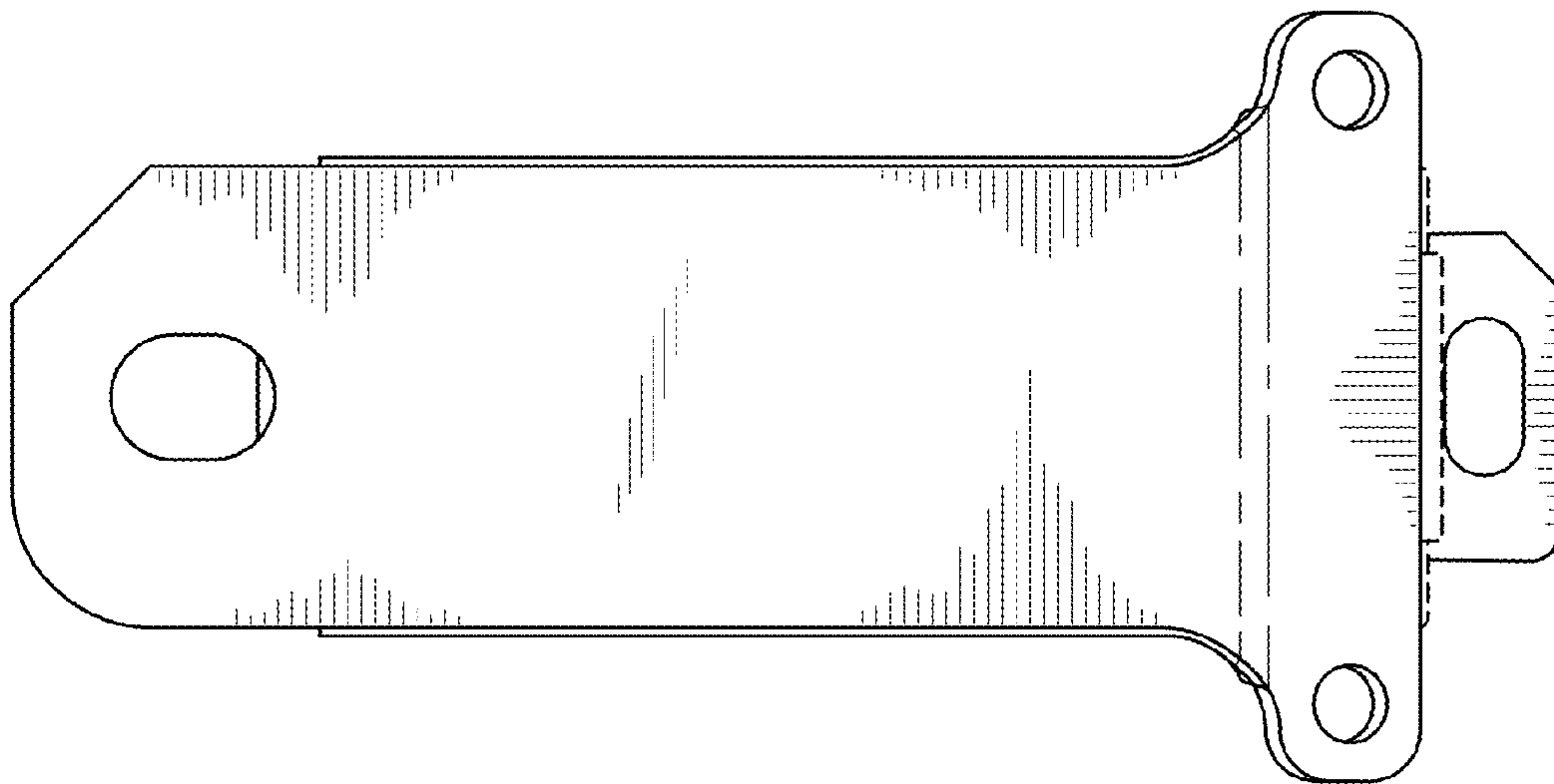


FIG. 7