



US00D763740S

(12) **United States Design Patent**  
**Eckert et al.**

(10) **Patent No.:** **US D763,740 S**  
(45) **Date of Patent:** **\*\* Aug. 16, 2016**

(54) **SUPPORT FRAME FOR RIDE ON VEHICLE**

3,712,397 A 1/1973 Smith, III et al.

(71) Applicant: **RADIO FLYER INC.**, Chicago, IL (US)

(Continued)

(72) Inventors: **Cameron Eckert**, Chicago, IL (US);  
**Todd Herlitz**, Glenview, IL (US); **David Owsen**, Harper Woods, MI (US)

**OTHER PUBLICATIONS**

(73) Assignee: **Radio Flyer Inc.**, Chicago, IL (US)

Special Needs Playground Equipment—Whirl-O-Wheel, Catalog (online), MD Materials Playground, 2007 (retrieved on Apr. 11, 2014) Retrieved from the internet: <URL: <http://www.specialneedsplaygroundequipment.com/handpropelledtrikes.html>>.

(\*\*) Term: **14 Years**

(Continued)

(21) Appl. No.: **29/520,242**

(22) Filed: **Mar. 12, 2015**

*Primary Examiner* — Robert M Spear

*Assistant Examiner* — Ryan Harvey

**Related U.S. Application Data**

(62) Division of application No. 29/465,637, filed on Aug. 29, 2013, now Pat. No. Des. 726,593.

(74) *Attorney, Agent, or Firm* — McDermott Will & Emery LLP

(51) **LOC (10) Cl.** ..... **12-11**

(52) **U.S. Cl.**  
USPC ..... **D12/114**

(57) **CLAIM**

We claim the ornamental design for a support frame for ride on vehicle, as shown and described.

(58) **Field of Classification Search**

USPC ..... D12/112, 107, 113; D34/24; D21/435, D21/667; 280/282, 259, 288.4, 210, 62, 280/278, 279, 287, 288, 270, 263, 272, 292, 280/293, 87.01, 249, 87.041, 1.188, 304.5, 280/47.11, 30, 47.371, 7.17, 47.38, 7.15, 280/47.26, 47.18, 7.1, 87.1, 240, 211, 280/242.1, 291, 295, 325, 621, 622, 623, 280/624, 625, 626, 627, 628, 629, 200, 280/47.34; 301/110.5, 2.5, 6.5; 74/594.1, 74/551.8; 315/313; 362/184, 543; 297/215.14, 344.11, 184.1; 273/129 R, 273/118 R; 293/120, 127; 403/57, 22, 282, 403/268; 446/465, 94; 135/117, 125, 155, 135/88.04; 248/160  
CPC ..... B62K 9/02; B62K 3/005; B62K 3/002; B62K 5/02; B62K 21/00  
See application file for complete search history.

**DESCRIPTION**

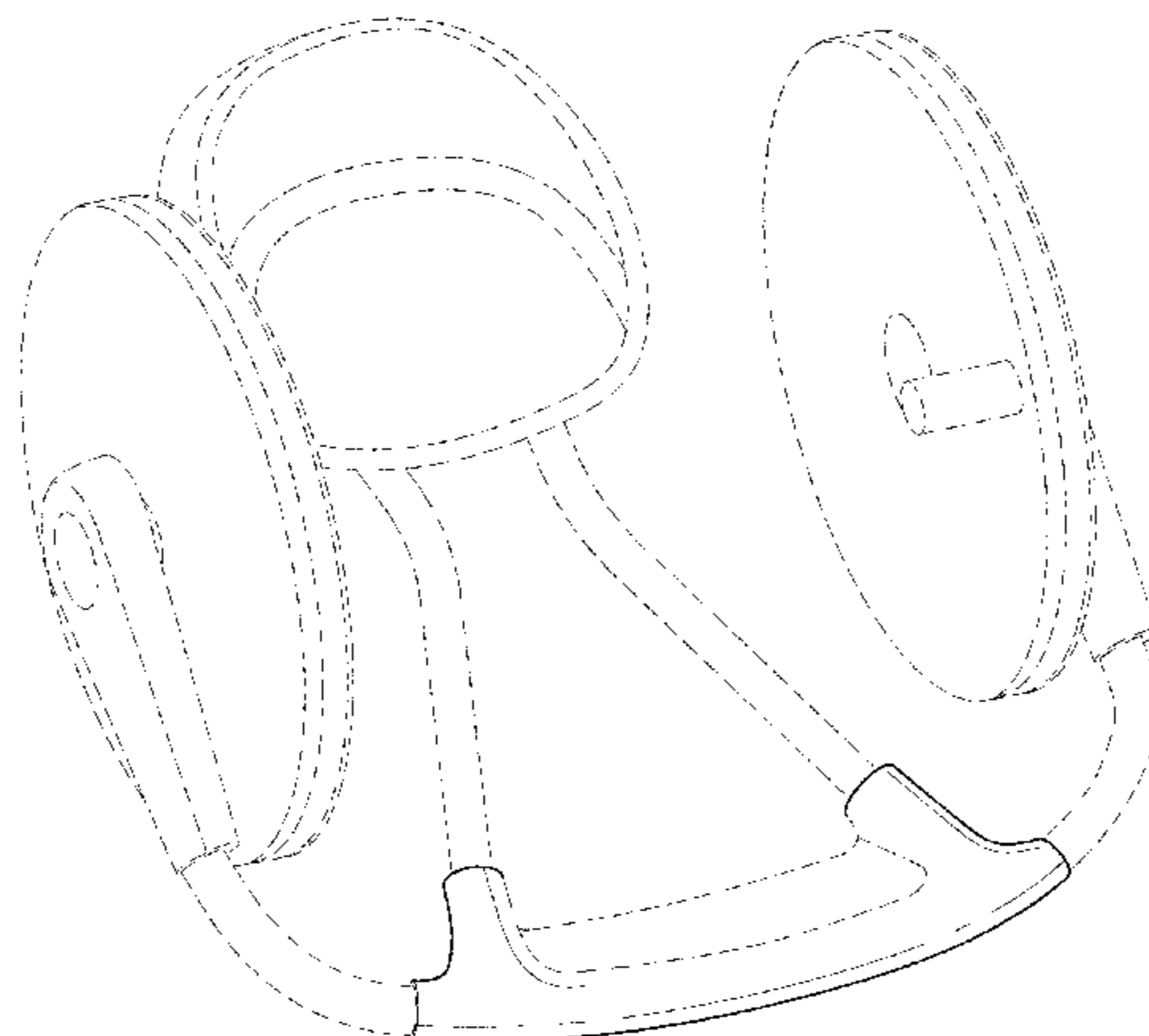
FIG. 1 is a front top perspective view of a support frame for ride on vehicle according to the new design.  
FIG. 2 is a back bottom perspective view of the support frame for ride on vehicle shown in FIG. 1.  
FIG. 3 is a front view of the support frame for ride on vehicle shown in FIG. 1.  
FIG. 4 is a right side view of the support frame for ride on vehicle shown in FIG. 1.  
FIG. 5 is a left side view of the support frame for ride on vehicle shown in FIG. 1.  
FIG. 6 is a back view of the support frame for ride on vehicle shown in FIG. 1.  
FIG. 7 is a top view of the support frame for ride on vehicle shown in FIG. 1; and,  
FIG. 8 is a bottom view of the support frame for ride on vehicle shown in FIG. 1.  
Features shown in broken lines in the drawings are not part of the claim.

(56) **References Cited**

**U.S. PATENT DOCUMENTS**

3,450,416 A \* 6/1969 Mulder ..... B62K 9/02  
280/211

**1 Claim, 6 Drawing Sheets**



(56)

**References Cited**

U.S. PATENT DOCUMENTS

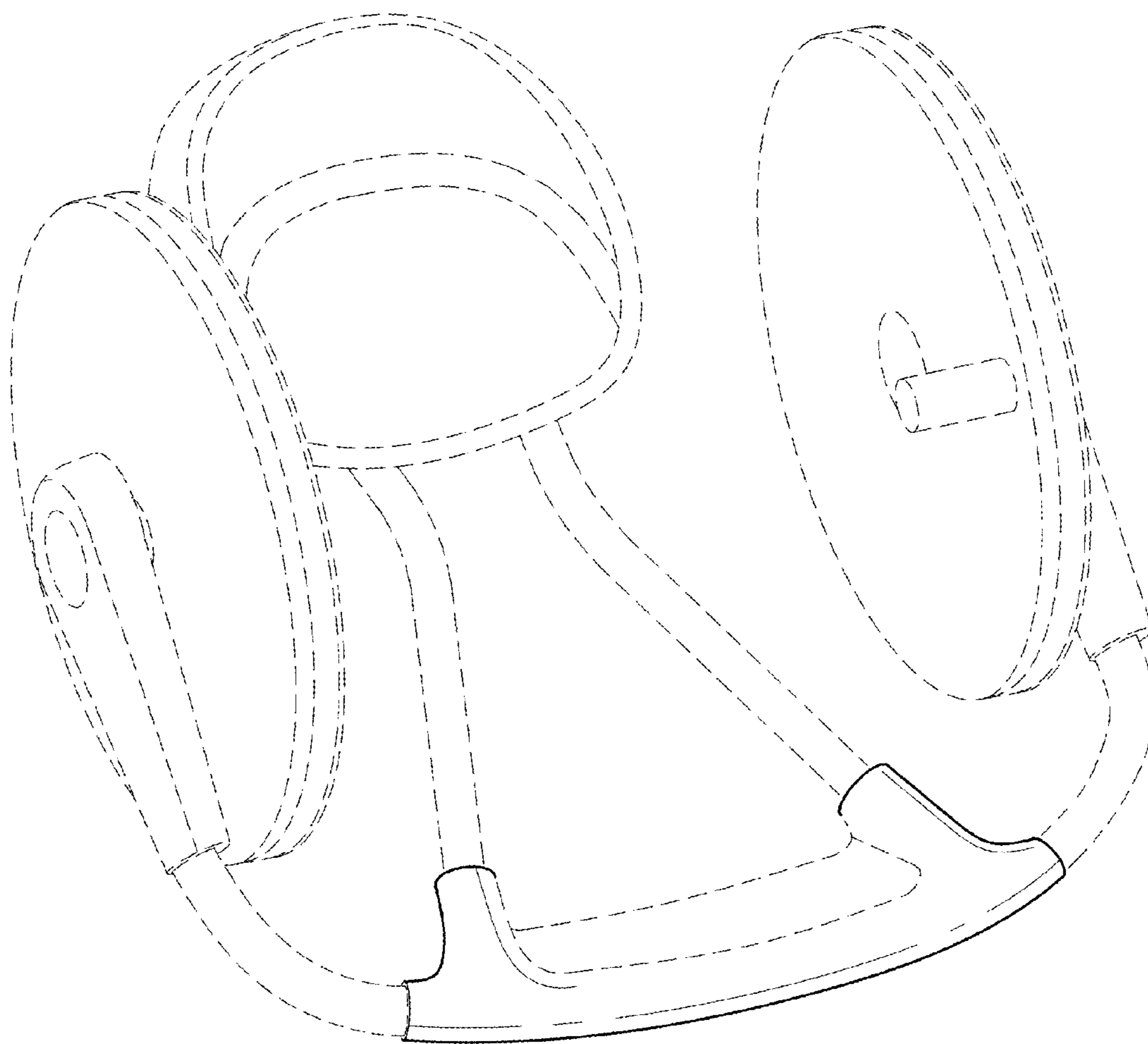
3,820,790 A \* 6/1974 Peterson ..... B62K 9/00  
273/118 R  
4,066,273 A \* 1/1978 Lohr ..... B62K 3/005  
280/211  
4,077,647 A \* 3/1978 Nagayama ..... B62M 1/14  
280/211  
4,506,901 A 3/1985 Tosti  
4,655,470 A \* 4/1987 Lin ..... B62K 9/00  
280/211  
D296,774 S \* 7/1988 Armstrong ..... D12/112  
5,037,120 A 8/1991 Parisi  
5,639,105 A 6/1997 Summo  
6,276,703 B1 8/2001 Caldwell  
6,361,058 B1 \* 3/2002 Yuan ..... B62K 9/00  
280/242.1  
D465,439 S \* 11/2002 van de Vrie ..... D12/112  
6,557,879 B2 5/2003 Caldwell

D486,760 S \* 2/2004 Devinast ..... D12/112  
D498,709 S \* 11/2004 Sramek ..... D12/112  
6,910,701 B1 6/2005 Long et al.  
D608,250 S \* 1/2010 Van De Vrie ..... D12/112  
D626,038 S \* 10/2010 Li ..... D12/112  
D653,996 S \* 2/2012 Webster ..... D12/112  
D678,130 S \* 3/2013 Webster ..... D12/112  
8,496,261 B2 \* 7/2013 Adams ..... A61G 5/00  
280/250.1  
D726,593 S 4/2015 Eckert  
2014/0217694 A1 \* 8/2014 Fitzwater ..... B62K 9/00  
280/210

OTHER PUBLICATIONS

Scooters for Children: Junior Whirly Wheel. Catalog (online). 2011 (retrieved on May 11, 2014). Retrieved from the internet: <URL: <http://electric.scootersforchildren.com/2011/06/28/scooters-for-children-junior-whirly-wheel>>.

\* cited by examiner



*FIG. 1*

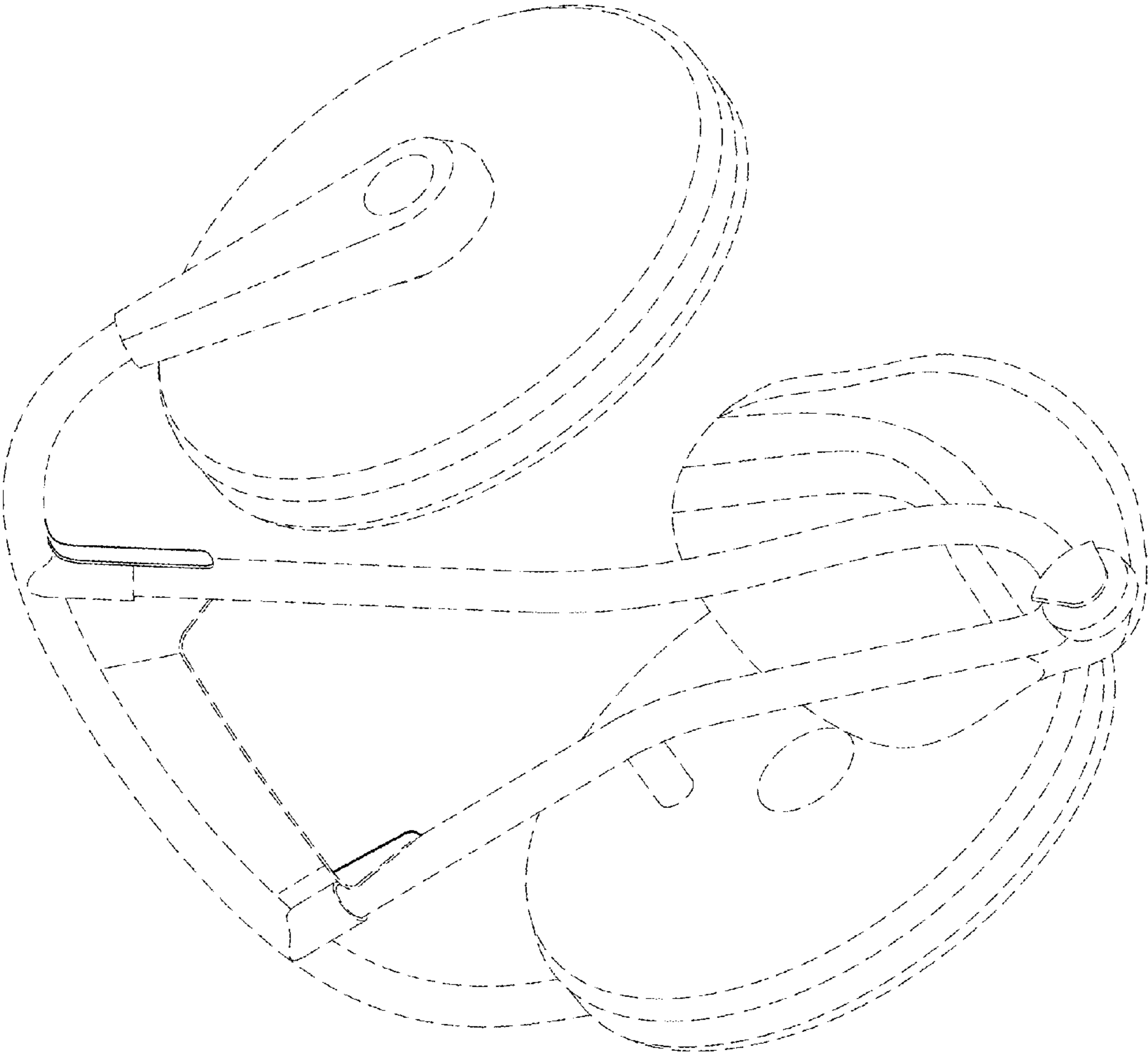
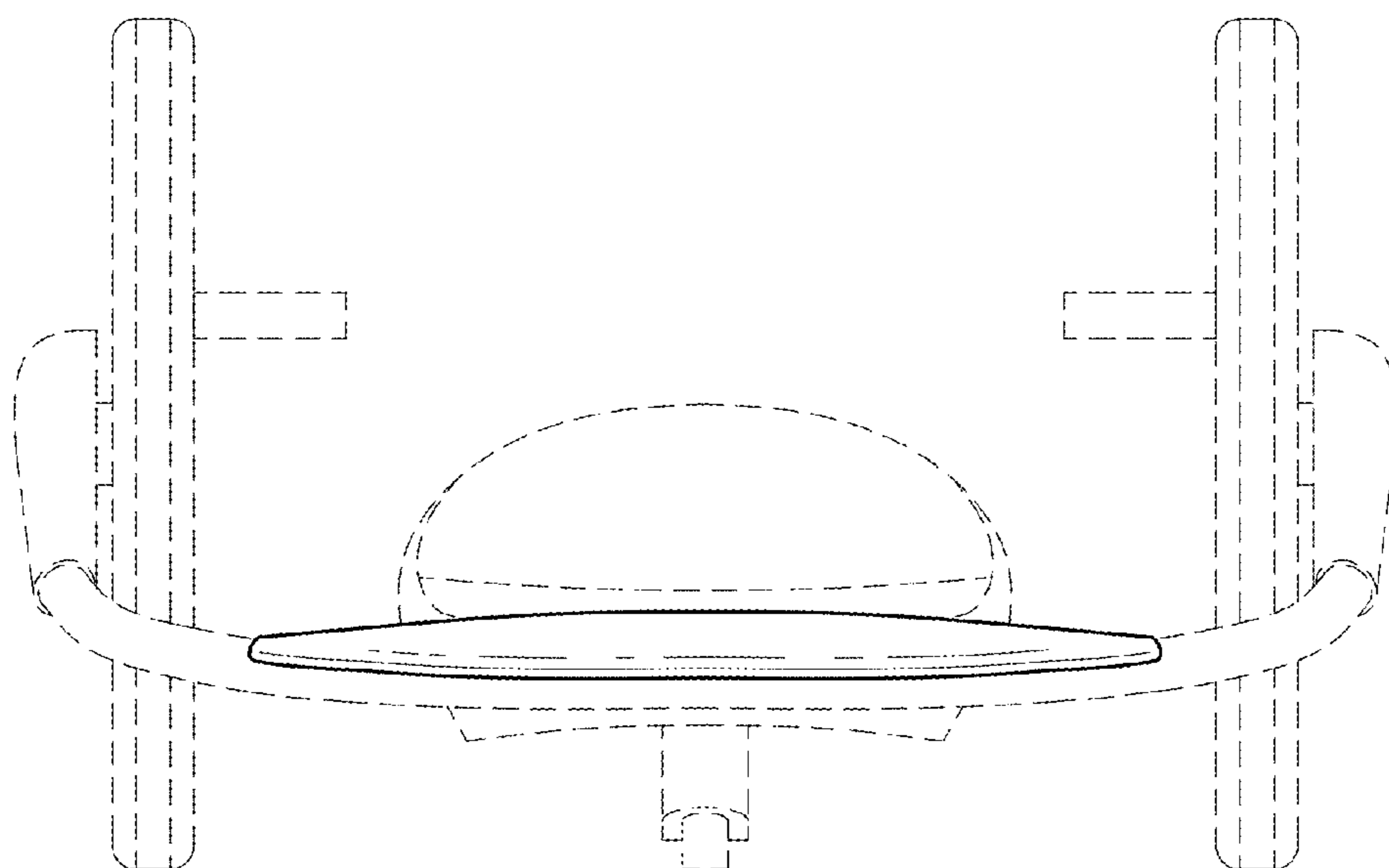
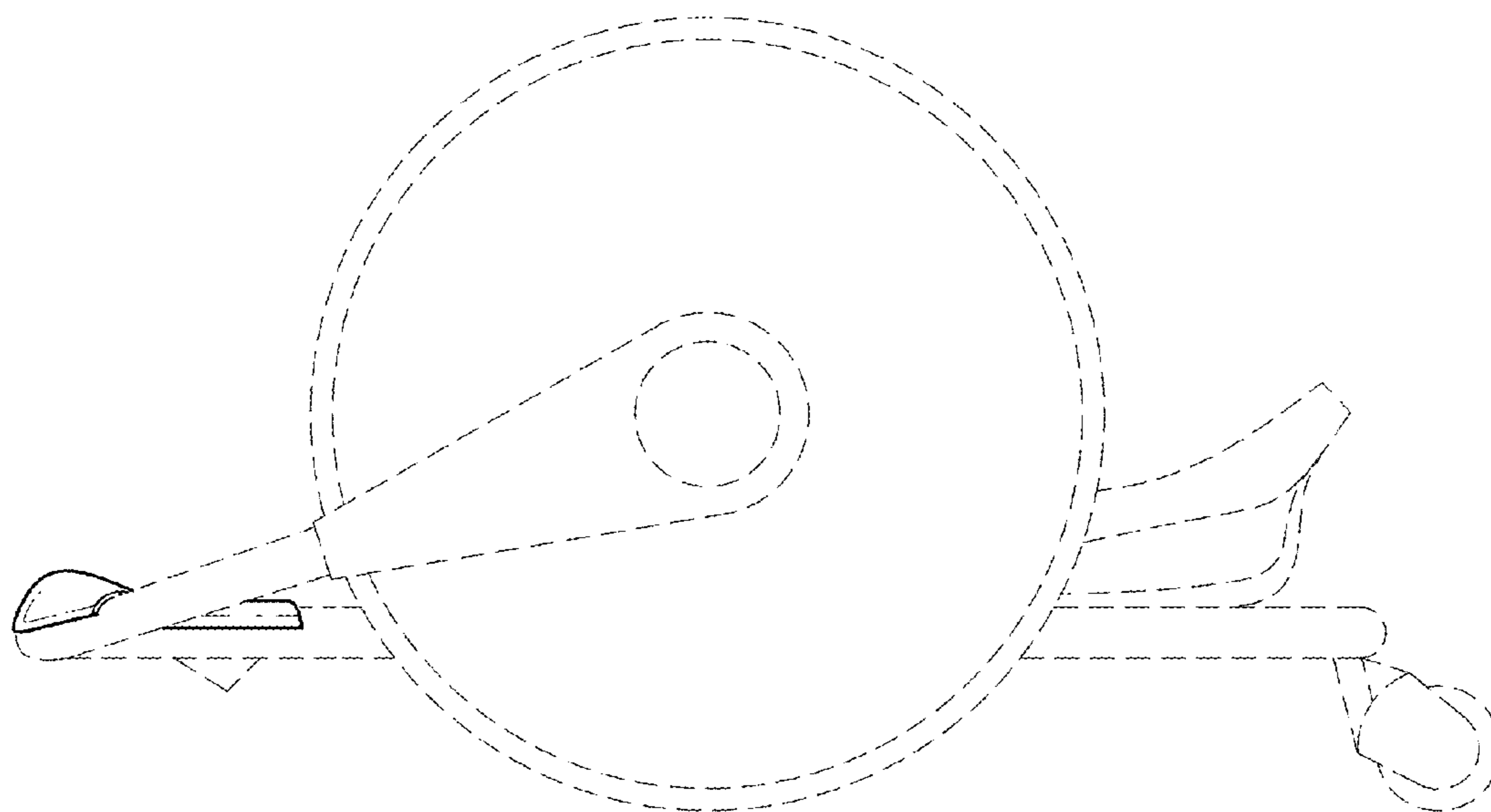


FIG. 2

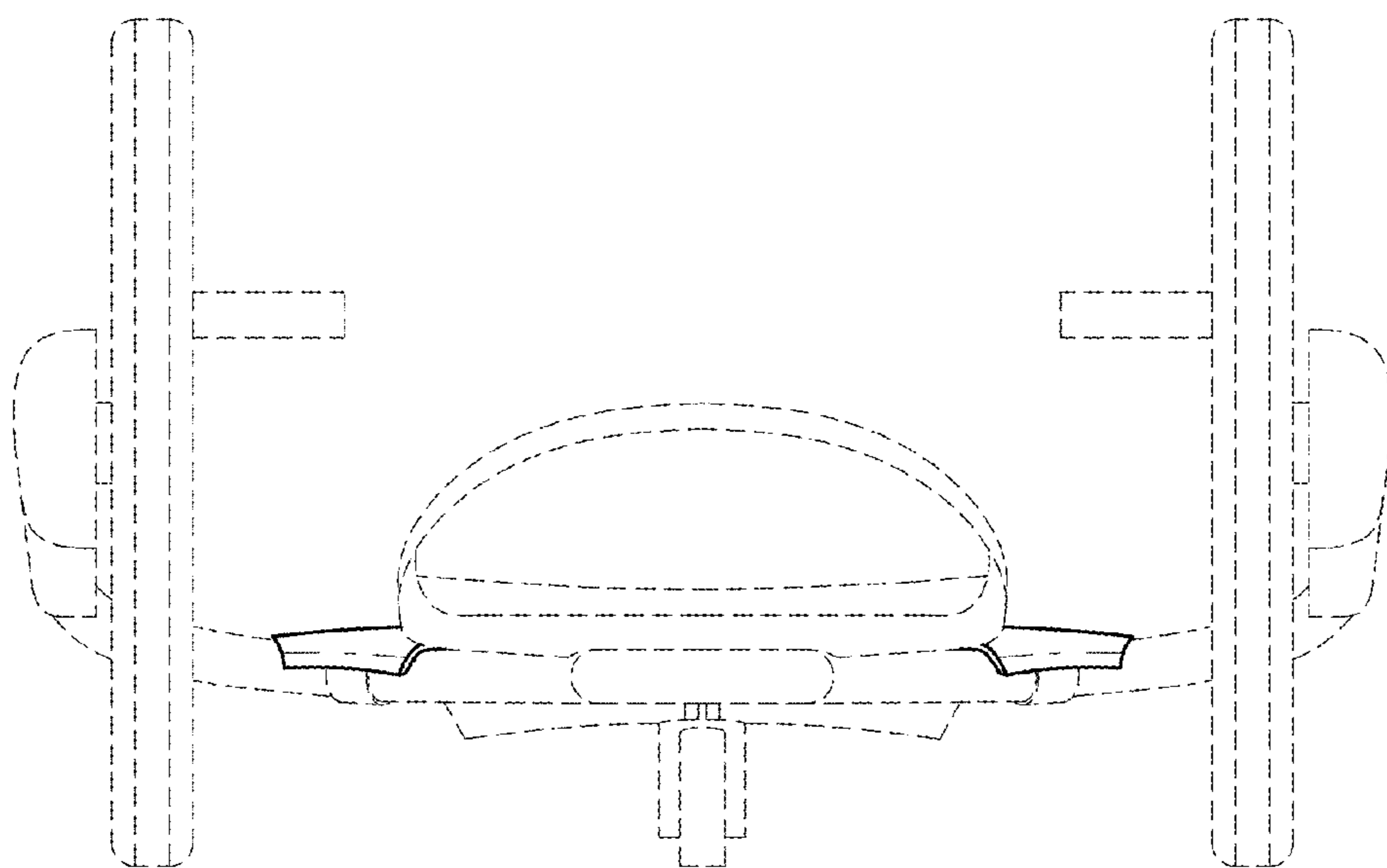
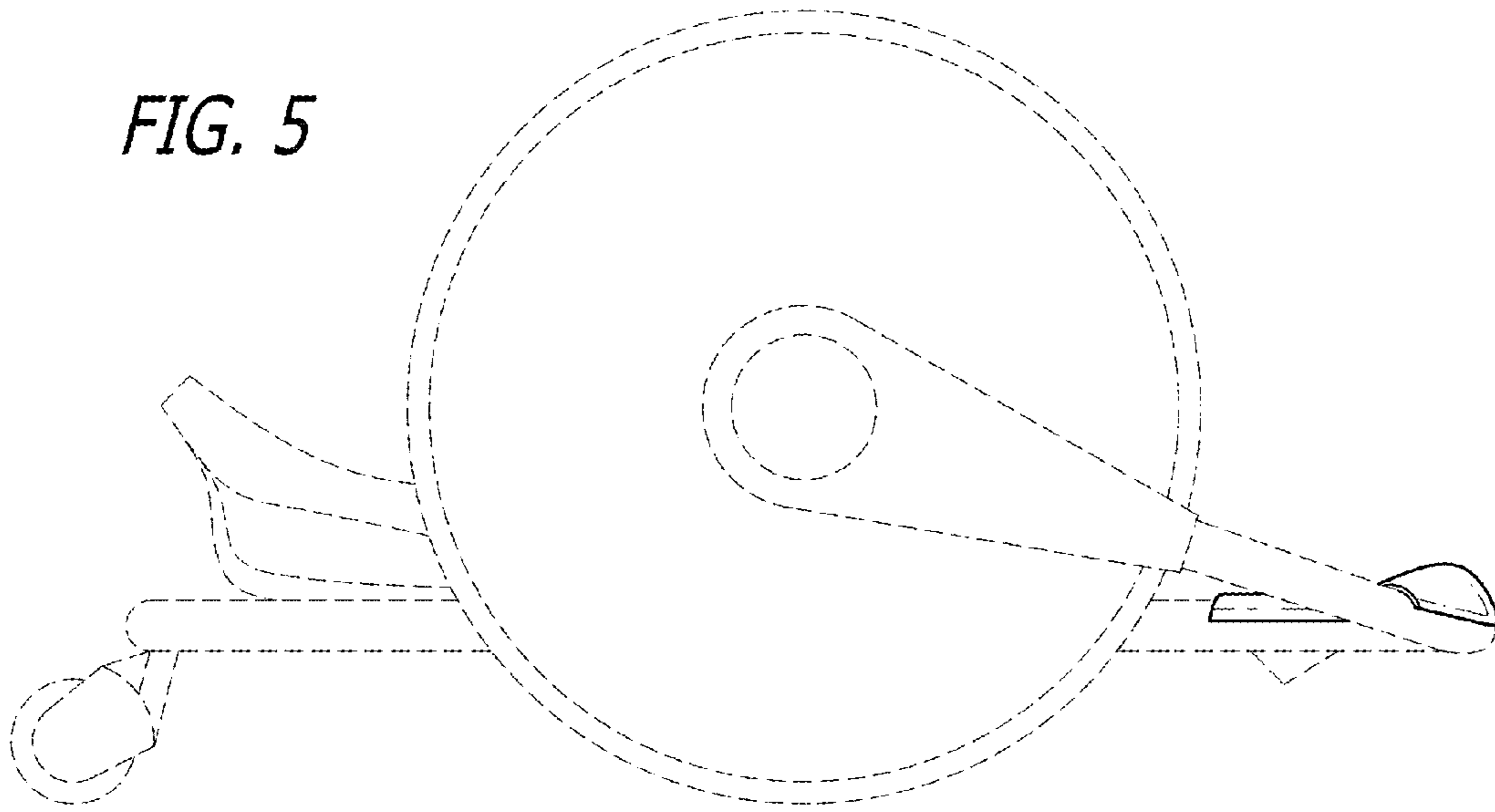


*FIG. 3*

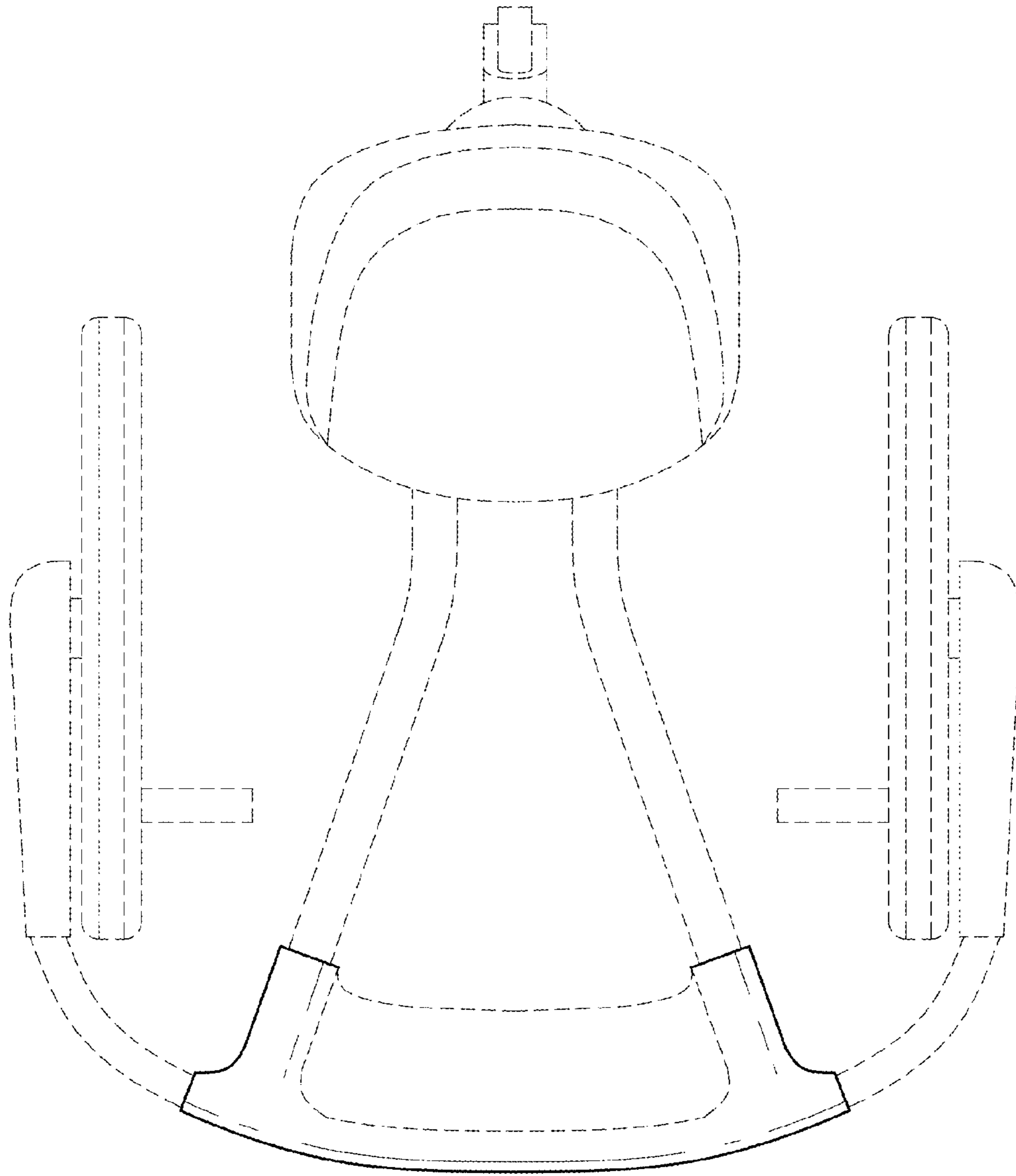


*FIG. 4*

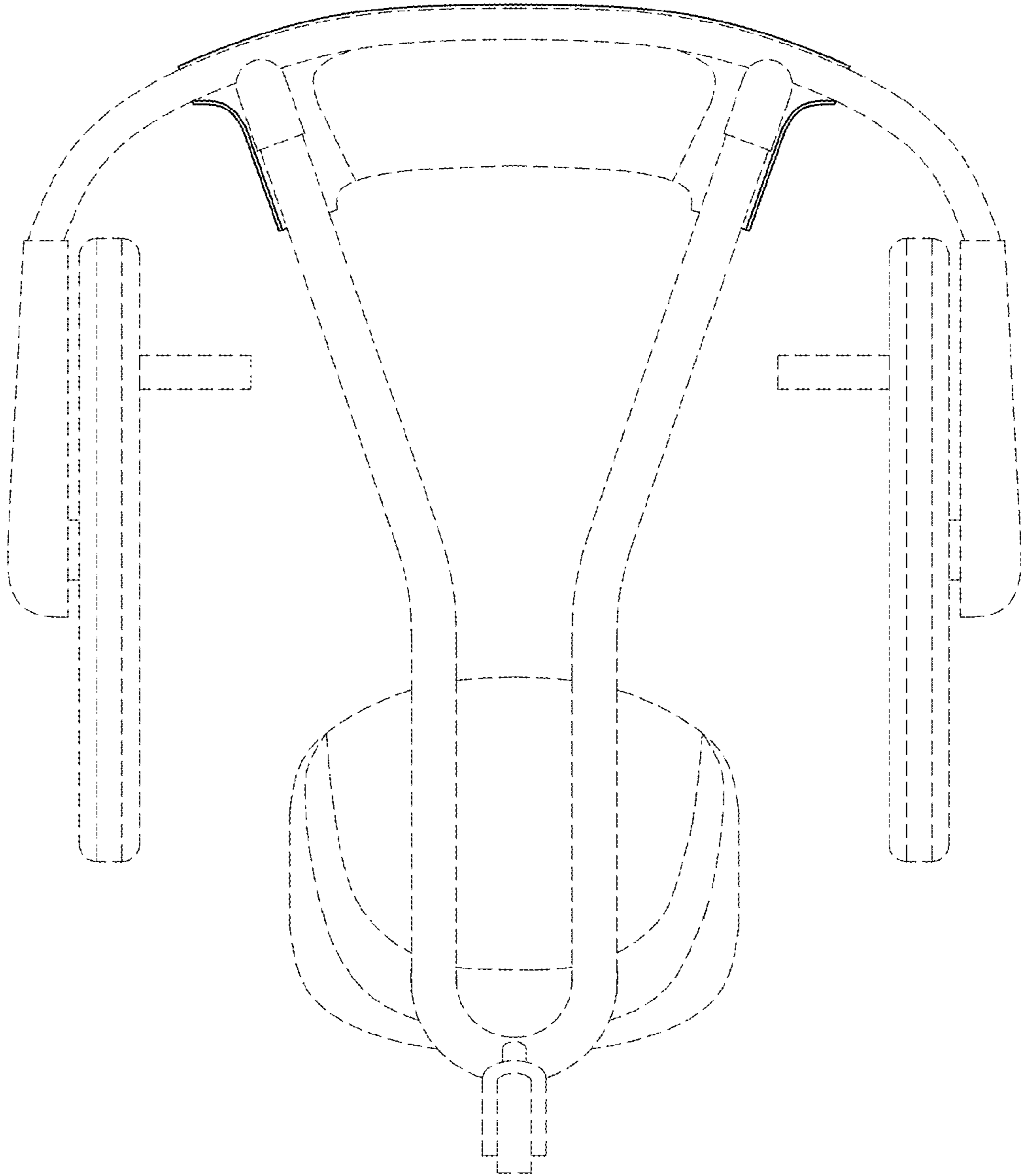
*FIG. 5*



*FIG. 6*



*FIG. 7*



*FIG. 8*