



US00D763739S

(12) **United States Design Patent**
Eckert et al.

(10) **Patent No.:** **US D763,739 S**
(45) **Date of Patent:** **** Aug. 16, 2016**

- (54) **FRAME FOR RIDE-ON VEHICLE**
- (71) Applicant: **RADIO FLYER INC.**, Chicago, IL (US)
- (72) Inventors: **Cameron Eckert**, Chicago, IL (US); **Todd Herlitz**, Glenview, IL (US); **David Owsen**, Harper Woods, MI (US)
- (73) Assignee: **Radio Flyer Inc.**, Chicago, IL (US)
- (**) Term: **14 Years**
- (21) Appl. No.: **29/520,239**
- (22) Filed: **Mar. 12, 2015**

Related U.S. Application Data

- (62) Division of application No. 29/465,637, filed on Aug. 29, 2013, now Pat. No. Des. 726,593.
- (51) **LOC (10) Cl.** **12-11**
- (52) **U.S. Cl.**
USPC **D12/114**
- (58) **Field of Classification Search**
USPC D12/112, 107, 113; D34/24; D21/435, D21/667; 280/282, 259, 288.4, 210, 62, 280/278, 279, 287, 288, 270, 263, 272, 292, 280/293, 87.01, 249, 87.041, 1.188, 304.5, 280/47.11, 30, 47.371, 7.17, 47.38, 7.15, 280/47.26, 47.18, 7.1, 87.1, 240, 211, 280/242.1, 291, 295, 325, 621, 622, 623, 280/624, 625, 626, 627, 628, 629, 200, 280/47.34; 301/110.5, 2.5, 6.5; 74/594.1, 74/551.8; 315/313; 362/184, 543; 297/215.14, 344.11, 184.1; 273/129 R, 273/118 R; 293/120, 127; 403/57, 22, 282, 403/268; 446/465, 94; 135/117, 125, 155, 135/88.04; 248/160
CPC B62K 9/02; B62K 3/005; B62K 3/002; B62K 5/02; B62K 21/00
See application file for complete search history.

(56) **References Cited**

U.S. PATENT DOCUMENTS

- 3,450,416 A * 6/1969 Mulder B62K 9/02 280/211
- 3,712,397 A 1/1973 Smith, III et al.

(Continued)

OTHER PUBLICATIONS

Special Needs Playground Equipment—Whirl-O-Wheel, Catalog (online), MD Materials Playground, 2007 (retrieved on Apr. 11, 2014) Retrieved from the internet: <URL:http://www.specialneedsplaygroundequipment.com/handpropelledtrikes.html>.
(Continued)

Primary Examiner — Robert M Spear
Assistant Examiner — Ryan Harvey

(74) *Attorney, Agent, or Firm* — McDermott Will & Emery LLP

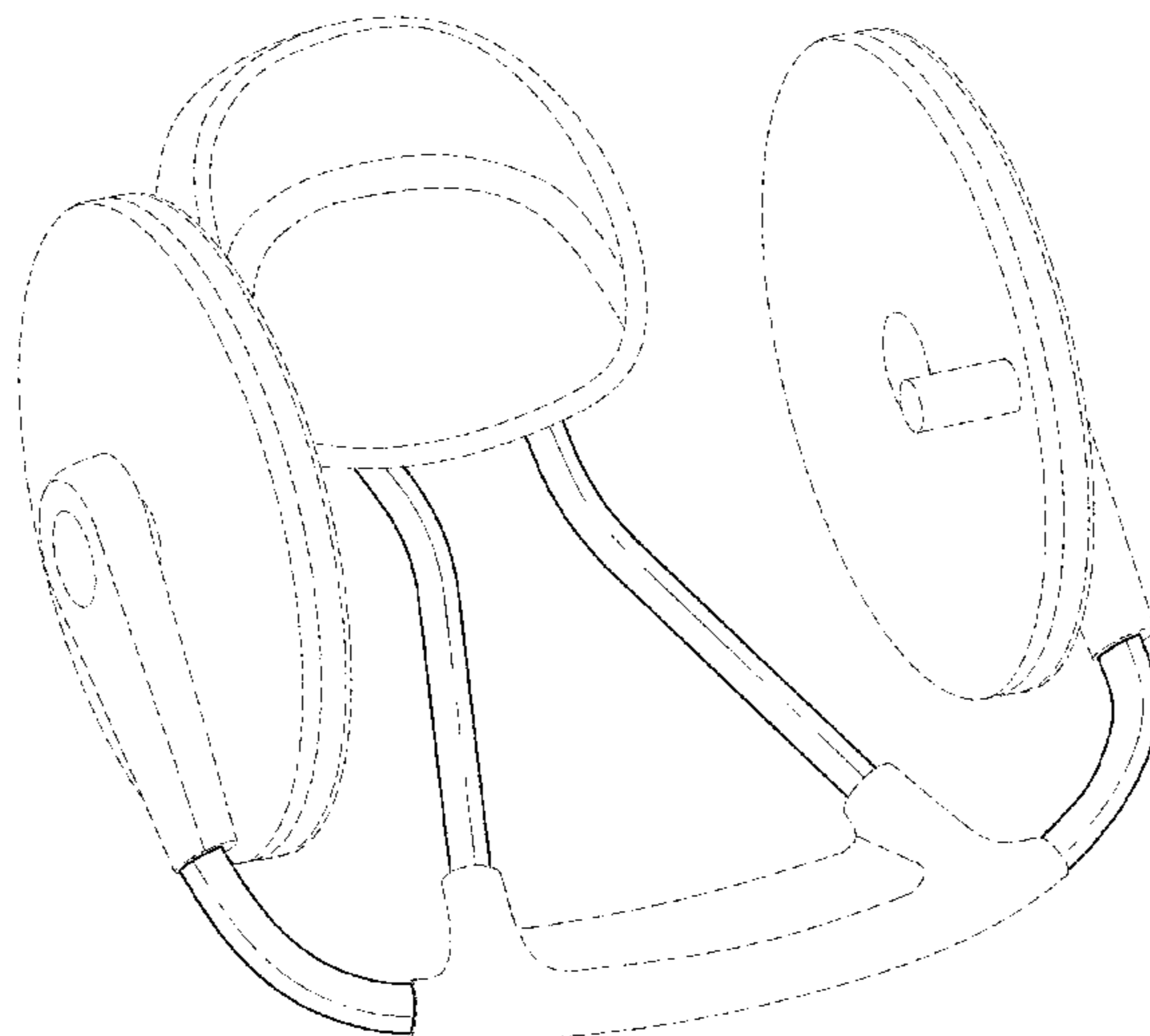
(57) **CLAIM**

We claim the ornamental design for a frame for ride-on vehicle, as shown and described.

DESCRIPTION

FIG. 1 is a front top perspective view of a frame for ride-on vehicle according to the new design.
FIG. 2 is a back bottom perspective view of the frame for ride-on vehicle shown in FIG. 1.
FIG. 3 is a front view of the frame for ride-on vehicle shown in FIG. 1.
FIG. 4 is a right side view of the frame for ride-on vehicle shown in FIG. 1.
FIG. 5 is a left side view of the frame for ride-on vehicle shown in FIG. 1.
FIG. 6 is a back view of the frame for ride-on vehicle shown in FIG. 1.
FIG. 7 is a top view of the frame for ride-on vehicle shown in FIG. 1; and,
FIG. 8 is a bottom view of the frame for ride-on vehicle shown in FIG. 1.
Features shown in broken lines in the drawings are not part of the claim.

1 Claim, 6 Drawing Sheets



(56)

References Cited

U.S. PATENT DOCUMENTS

3,820,790 A * 6/1974 Peterson B62K 9/00
273/118 R
4,066,273 A * 1/1978 Lohr B62K 3/005
280/211
4,077,647 A * 3/1978 Nagayama B62M 1/14
280/211
4,506,901 A 3/1985 Tosti
4,655,470 A * 4/1987 Lin B62K 9/00
280/211
D296,774 S * 7/1988 Armstrong D12/112
5,037,120 A 8/1991 Parisi
5,639,105 A 6/1997 Summo
6,276,703 B1 8/2001 Caldwell
6,361,058 B1 * 3/2002 Yuan B62K 9/00
280/242.1
D465,439 S * 11/2002 van de Vrie D12/112
6,557,879 B2 5/2003 Caldwell

D486,760 S * 2/2004 Devinast D12/112
D498,709 S * 11/2004 Sramek D12/112
6,910,701 B1 6/2005 Long et al.
D608,250 S * 1/2010 Van De Vrie D12/112
D626,038 S * 10/2010 Li D12/112
D653,996 S * 2/2012 Webster D12/112
D678,130 S * 3/2013 Webster D12/112
8,496,261 B2 * 7/2013 Adams A61G 5/00
280/250.1
D726,593 S 4/2015 Eckert
2014/0217694 A1 * 8/2014 Fitzwater B62K 9/00
280/210

OTHER PUBLICATIONS

Scooters for Children: Junior Whirly Wheel. Catalog (online). 2011 (retrieved on May 11, 2014). Retrieved from the Internet: <URL:<http://electric.scootersforchildren.com/2011/06/28/scooters-for-children-junior-whirly-wheel>>.

* cited by examiner

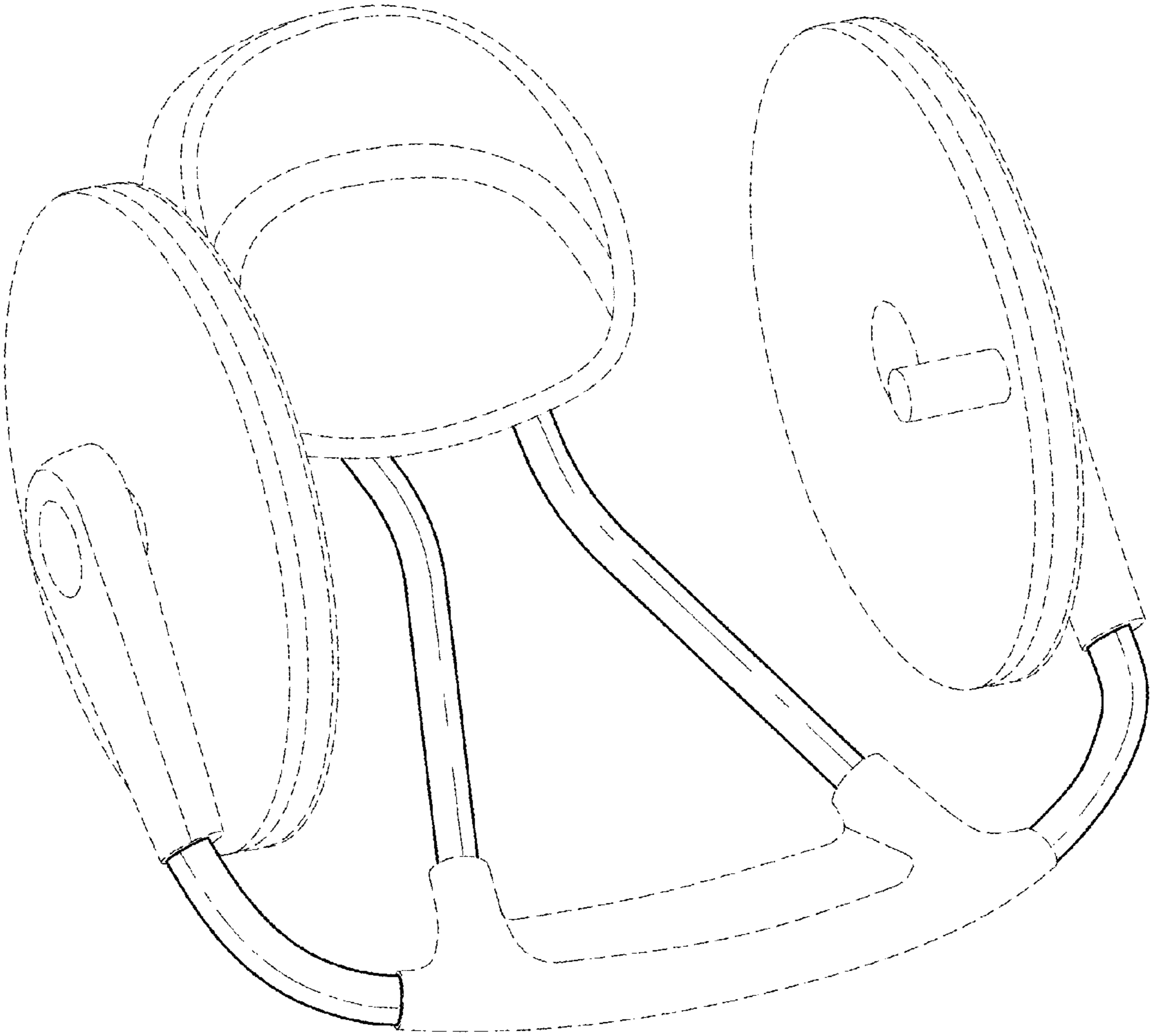


FIG. 1

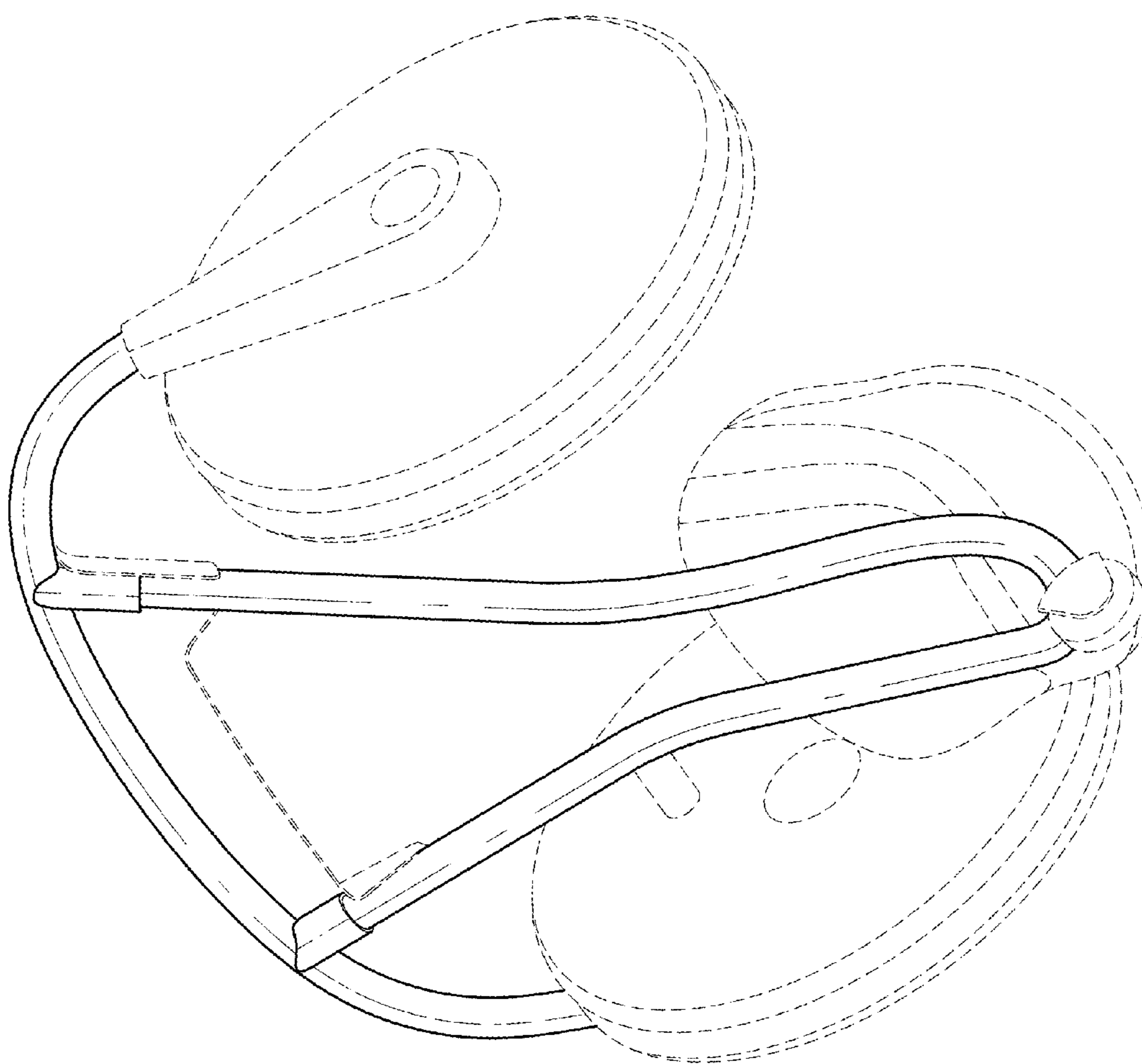


FIG. 2

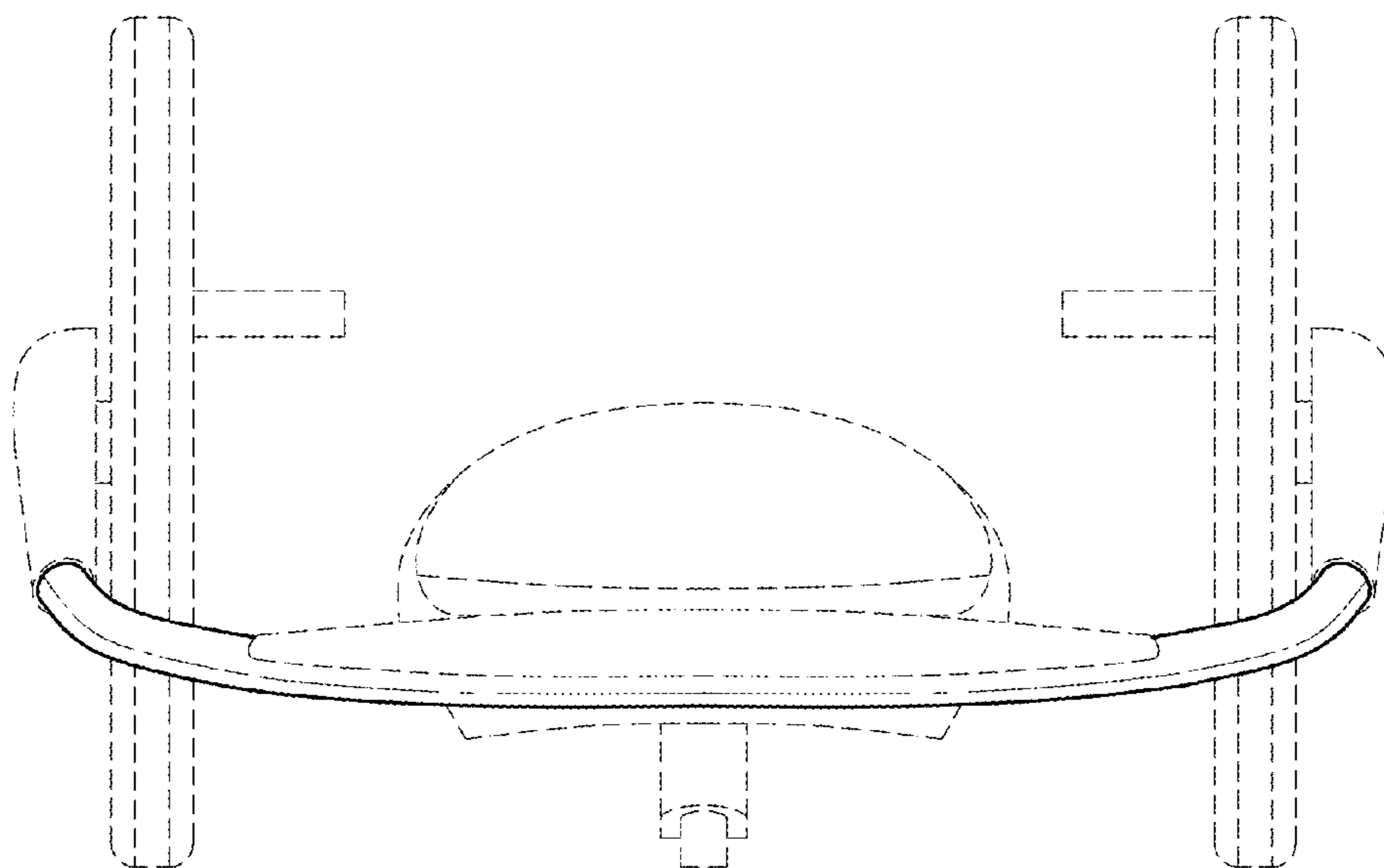


FIG. 3

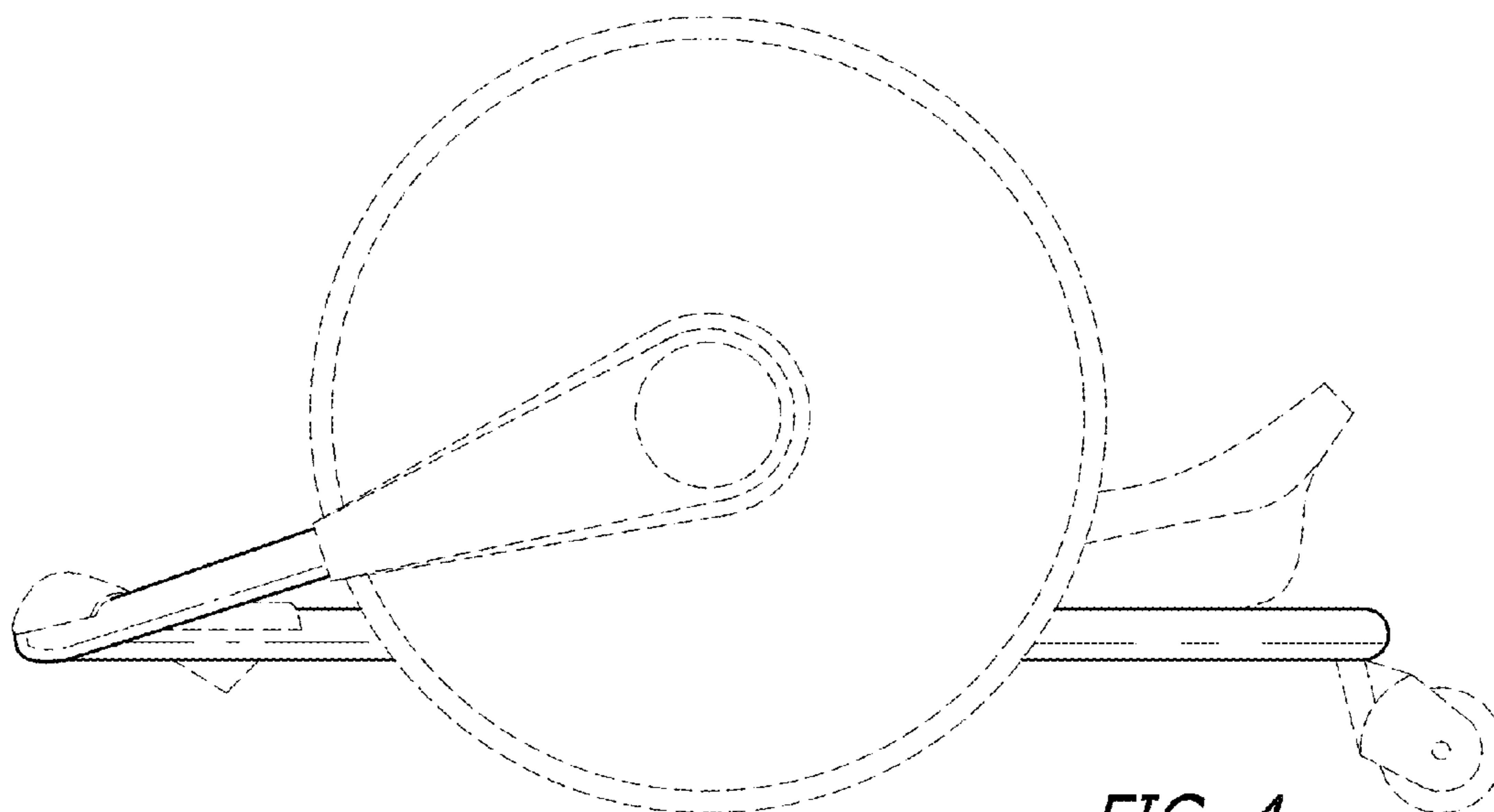


FIG. 4

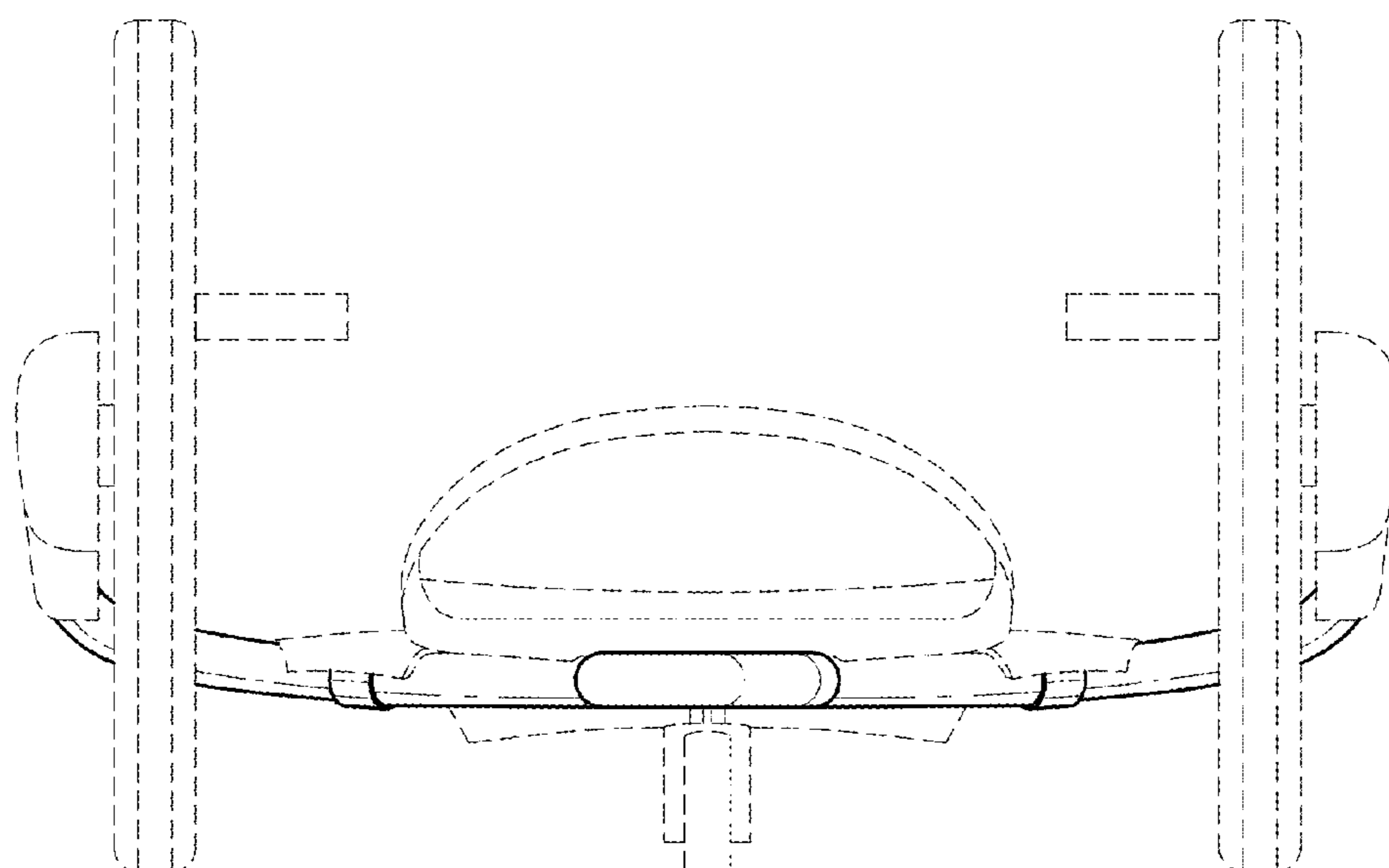
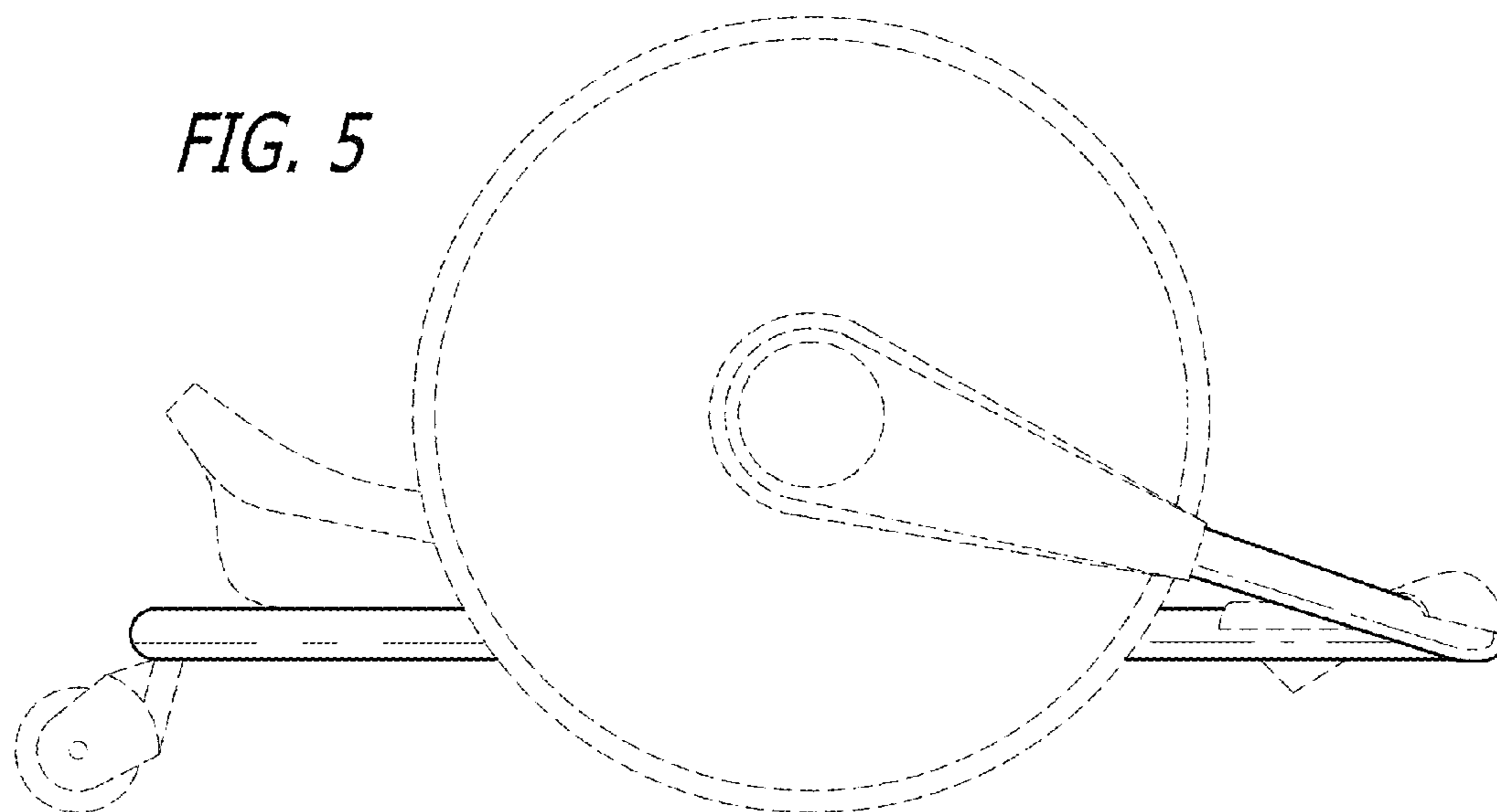


FIG. 6

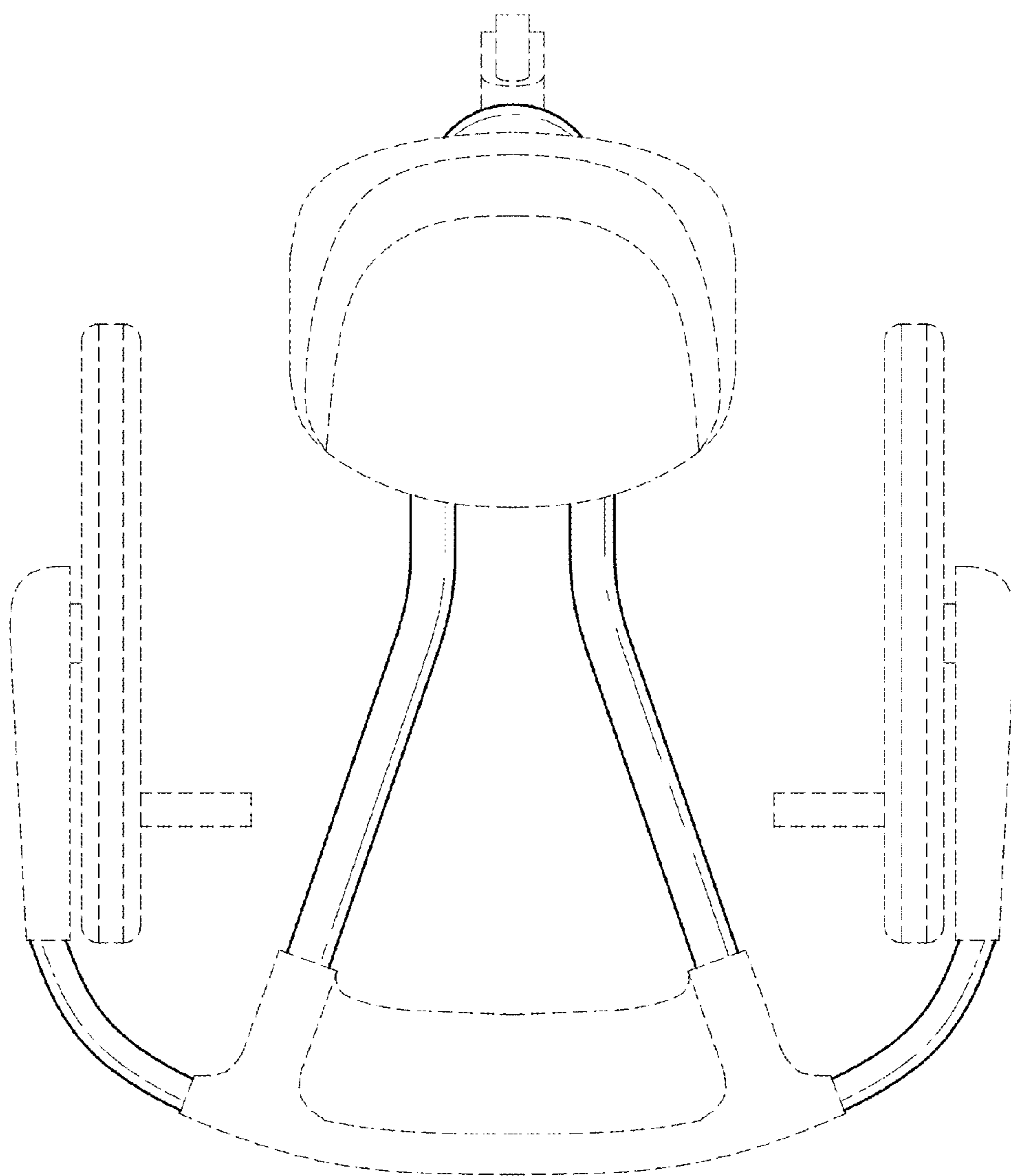


FIG. 7

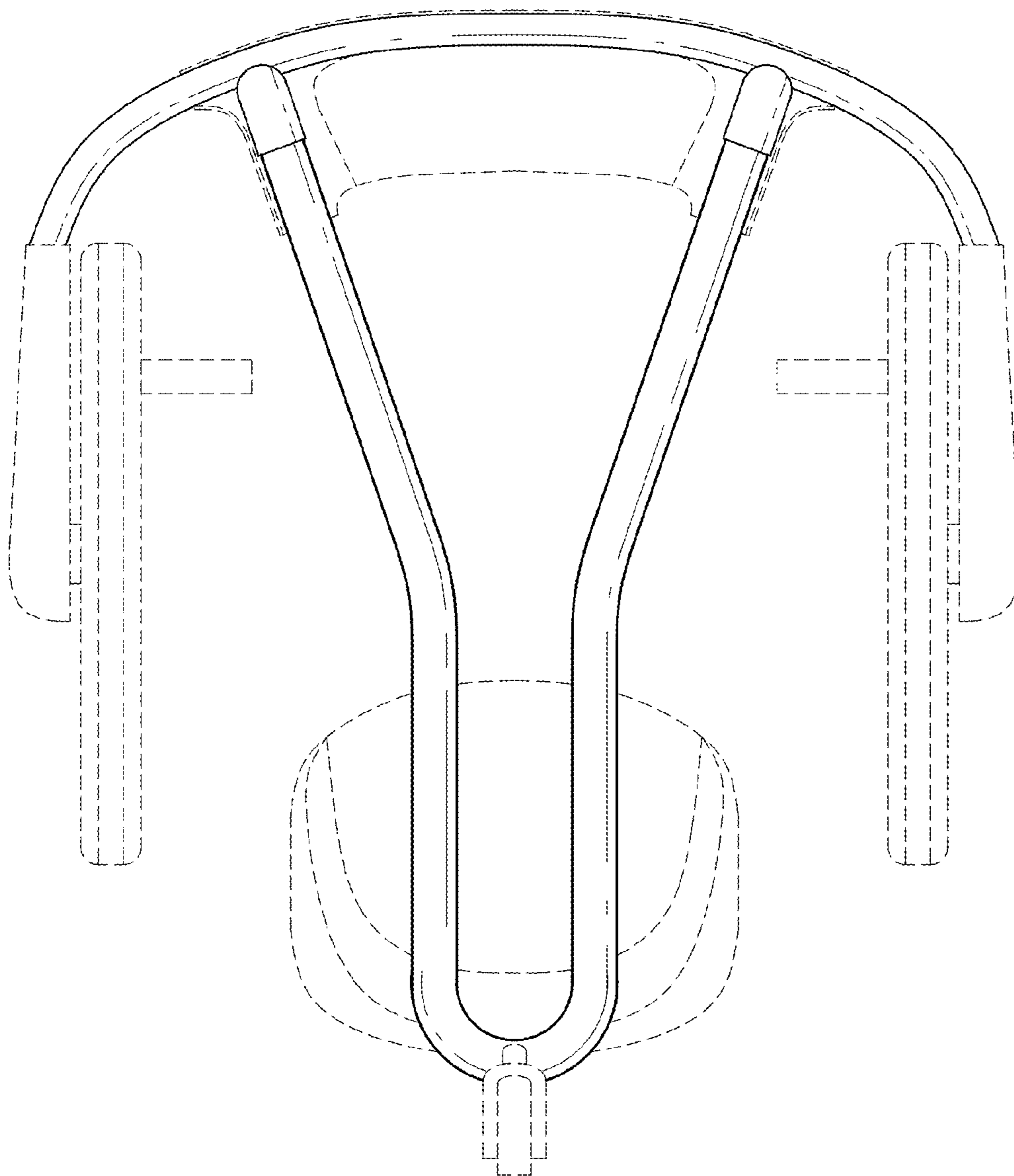


FIG. 8