



US00D763738S

(12) **United States Design Patent**
Dewitt et al.

(10) **Patent No.:** **US D763,738 S**

(45) **Date of Patent:** **** Aug. 16, 2016**

(54) **VEHICLE EXTERIOR**

(71) Applicant: **Ford Motor Company**, Dearborn, MI (US)

(72) Inventors: **David Dewitt**, Macleod (AU); **Craig S Metros**, Melbourne (AU); **Christopher Svensson**, Chelmsford (GB)

(73) Assignee: **Ford Motor Company**, Dearborn, MI (US)

(**) Term: **14 Years**

(21) Appl. No.: **29/523,261**

(22) Filed: **Apr. 8, 2015**

(30) **Foreign Application Priority Data**

Oct. 14, 2014 (DE) 40 2014 100 961

(51) **LOC (10) Cl.** **12-08**

(52) **U.S. Cl.**
USPC **D12/98**

(58) **Field of Classification Search**
USPC D12/86, 90-92, 88, 98; D21/424, 433, D21/434, 533; 296/181.1, 181.5, 181.3, 296/183.1, 37.6
CPC B60R 9/06; B62D 35/00
See application file for complete search history.

(56) **References Cited**

U.S. PATENT DOCUMENTS

D481,333 S * 10/2003 Fukushima D12/98
D481,656 S * 11/2003 Fukushima D12/98
D509,772 S * 9/2005 Hattori D12/98

D537,016 S * 2/2007 Shimoguchi D12/98
D600,595 S * 9/2009 Nakamura D12/98
D623,092 S 9/2010 Beigel et al.
D634,244 S 3/2011 Aris et al.
D703,586 S * 4/2014 Platto D12/98
D735,082 S * 7/2015 Sperling D12/98

FOREIGN PATENT DOCUMENTS

JP D142105 11/2011
TW D119365 10/2007
TW D140510 5/2011
TW D142394 9/2011
TW D145217 2/2012

OTHER PUBLICATIONS

Taiwan Search Report for corresponding Application No. 104301894, Oct. 14, 2015, 1 page.

* cited by examiner

Primary Examiner — Melody N Brown

(74) *Attorney, Agent, or Firm* — Damian Porcari

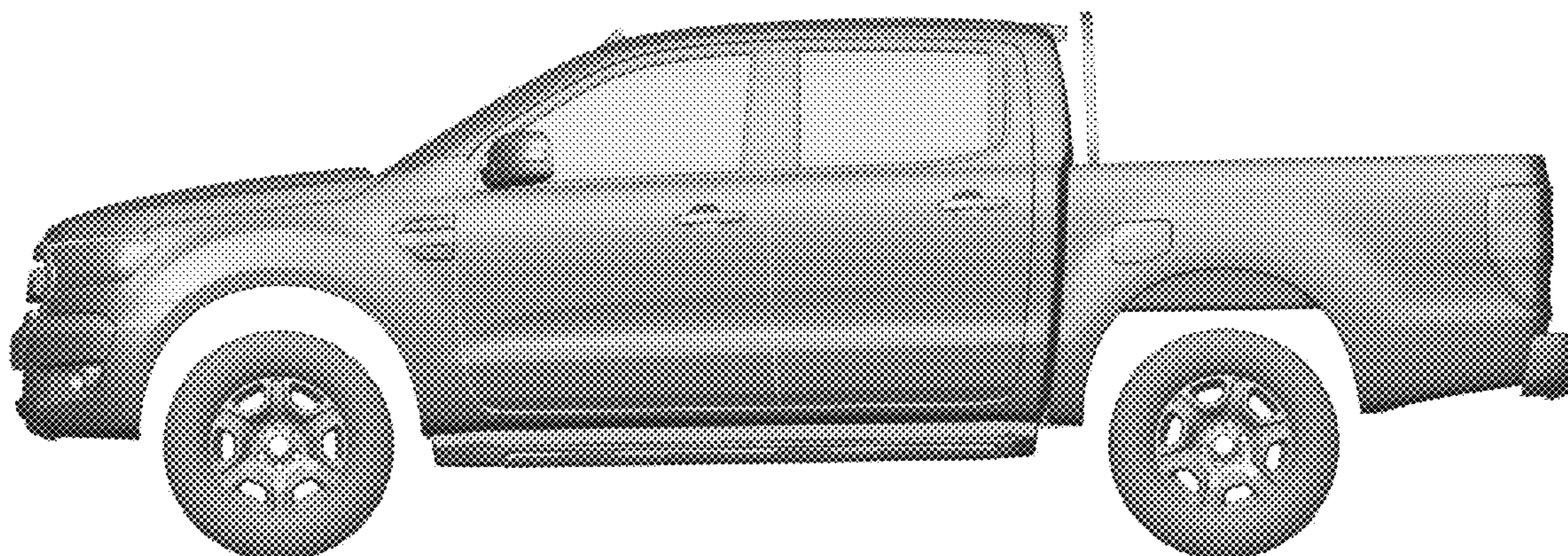
(57) **CLAIM**

The ornamental design for a vehicle exterior, as shown and described.

DESCRIPTION

FIG. 1 is a front and left side perspective view of a vehicle exterior;
FIG. 2 is a rear and left side perspective view thereof;
FIG. 3 is a front elevational view thereof;
FIG. 4 is a rear elevational view thereof;
FIG. 5 is a left side elevational view thereof;
FIG. 6 is a right side elevational view thereof; and,
FIG. 7 is a top plan view thereof.

1 Claim, 7 Drawing Sheets



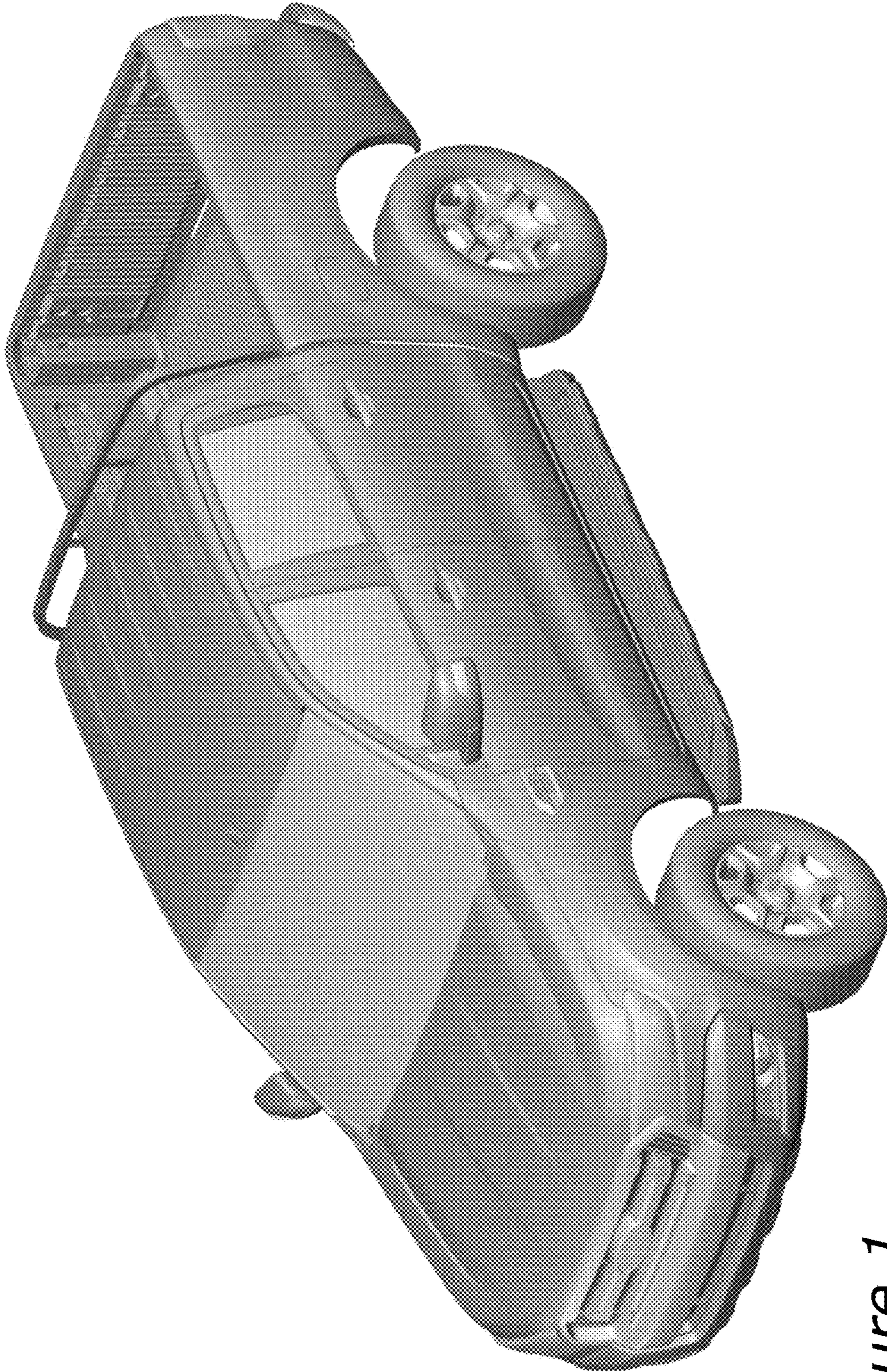


Figure 1



Figure 2

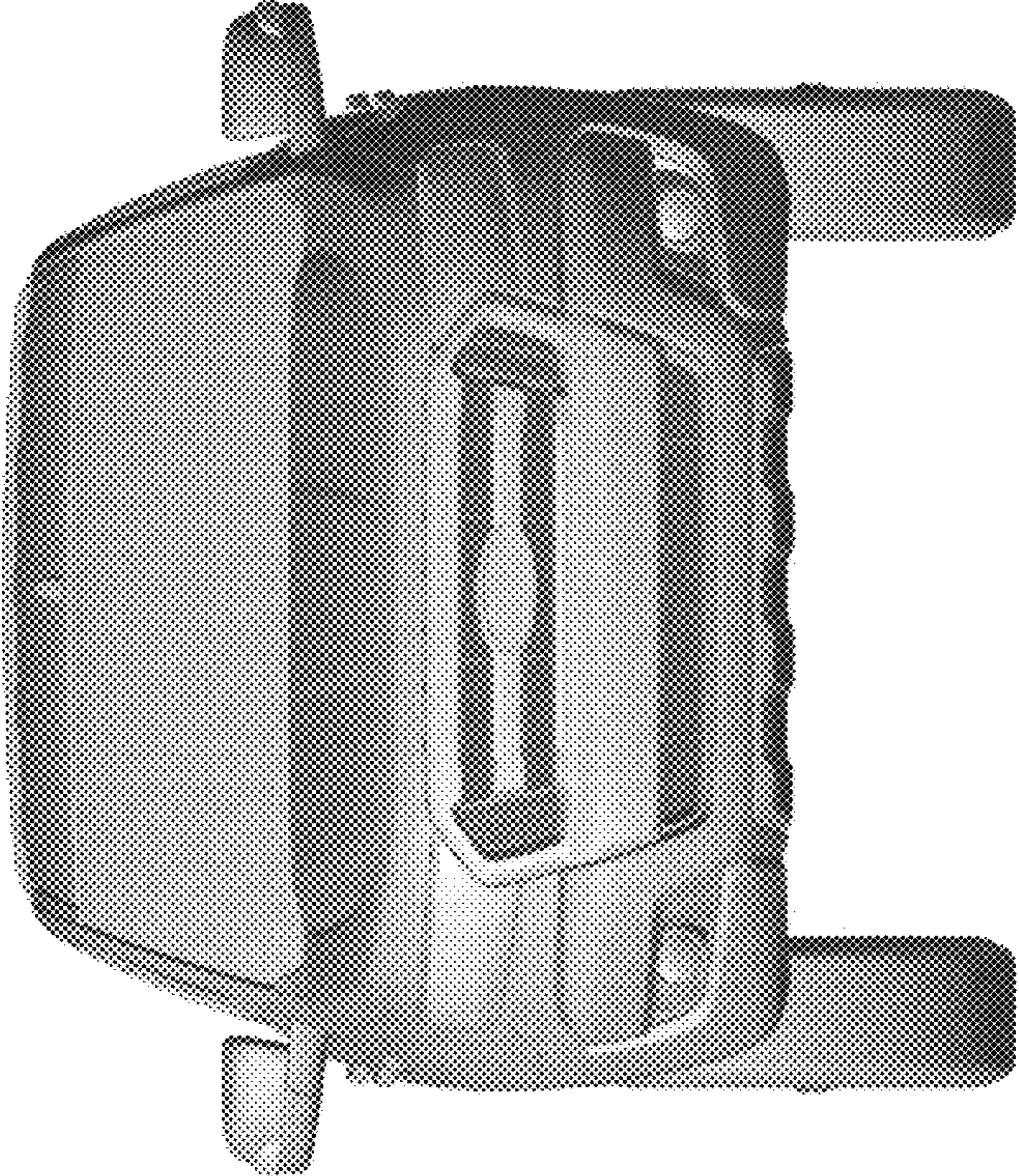


Figure 3

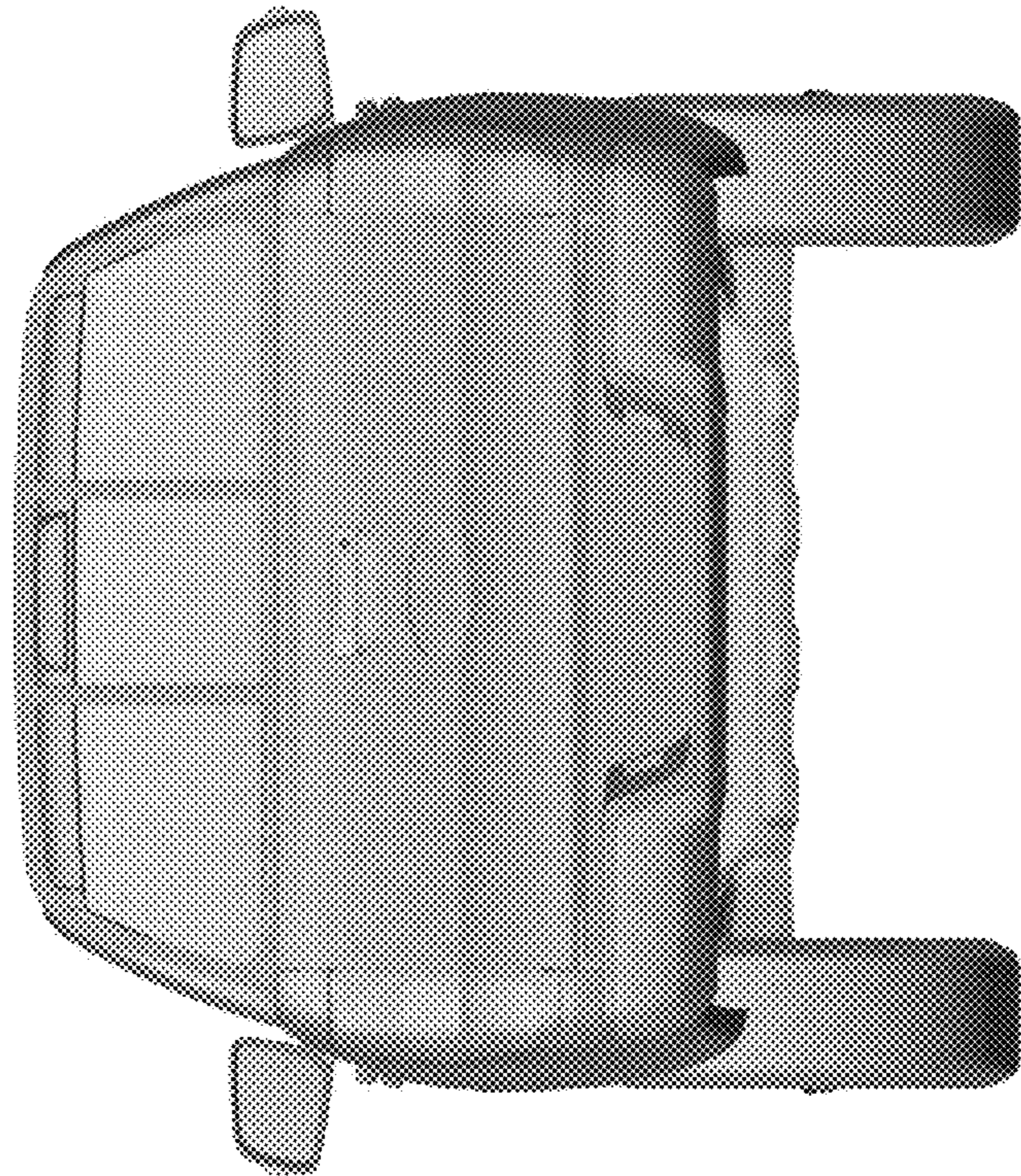


Figure 4



Figure 5



Figure 6

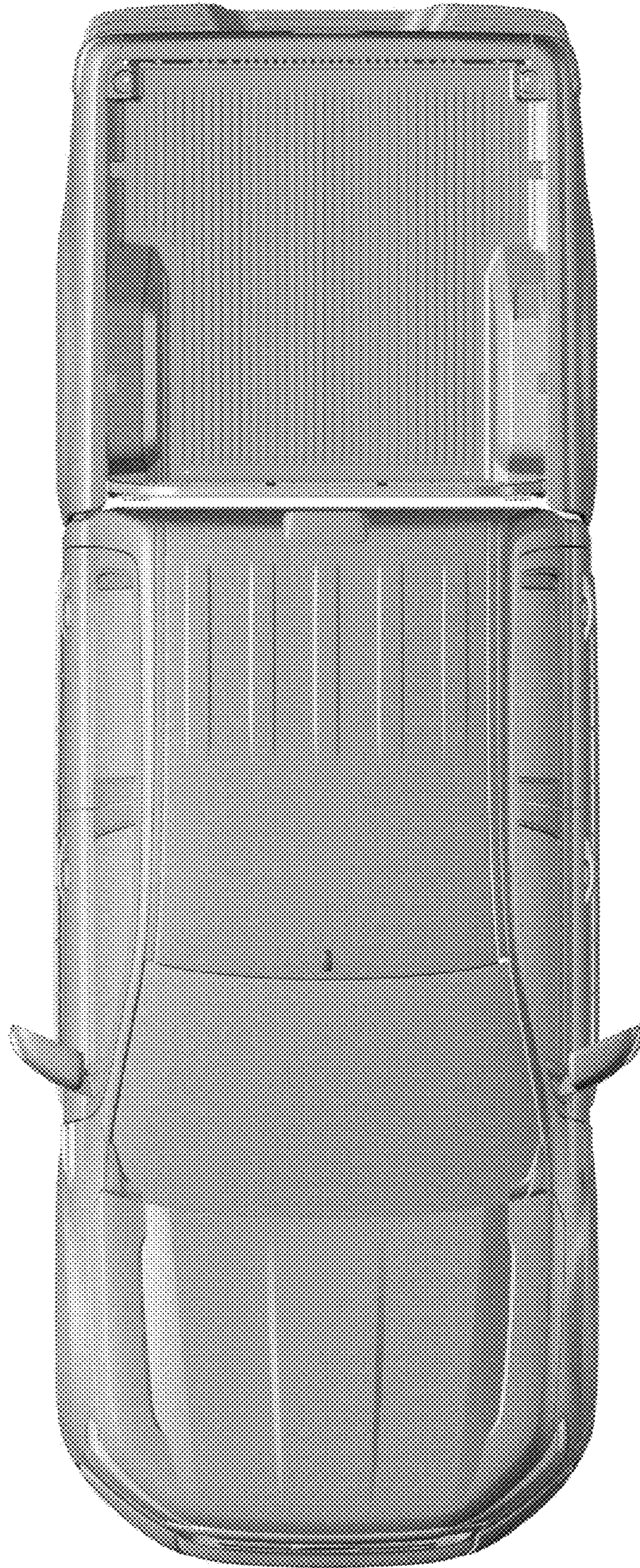


Figure 7