



US00D763737S

(12) **United States Design Patent**
Varga

(10) **Patent No.:** **US D763,737 S**

(45) **Date of Patent:** **** Aug. 16, 2016**

(54) **MOTOR VEHICLE, TOY AND/OR REPLICA**

(71) Applicant: **Dr. Ing. h.c. F. Porsche**
Aktiengesellschaft, Stuttgart (DE)

(72) Inventor: **Peter Varga, Pforzheim (DE)**

(73) Assignee: **Dr. Ing. h.c. F. Porsche**
Aktiengesellschaft, Stuttgart (DE)

(**) Term: **14 Years**

(21) Appl. No.: **29/524,372**

(22) Filed: **Apr. 20, 2015**

(30) **Foreign Application Priority Data**

Oct. 20, 2014 (DE) 40 2014 100 996

(51) **LOC (10) Cl.** **12-08**

(52) **U.S. Cl.**
USPC **D12/92**

(58) **Field of Classification Search**
USPC D12/86, 90-92; D21/421, 433, 434;
296/181.1, 181.5
CPC B62D 35/00; B62D 25/00; B62D 25/06;
B62D 33/00
See application file for complete search history.

(56) **References Cited**

U.S. PATENT DOCUMENTS

D338,638 S 8/1993 Lagaay
D592,553 S 5/2009 Larson
D592,554 S 5/2009 Larson

D610,041 S 2/2010 Larson
D690,232 S 9/2013 Scheinhutte
D690,620 S 10/2013 Scheinhutte
D700,545 S 3/2014 Borkert
D702,152 S * 4/2014 Borkert D12/92
D703,585 S 4/2014 Scheinhutte
D704,100 S 5/2014 Scheinhutte
D715,196 S * 10/2014 Yamashita D12/92
D731,928 S * 6/2015 Manzoni D12/92

* cited by examiner

Primary Examiner — Melody N Brown

(74) *Attorney, Agent, or Firm* — RatnerPrestia

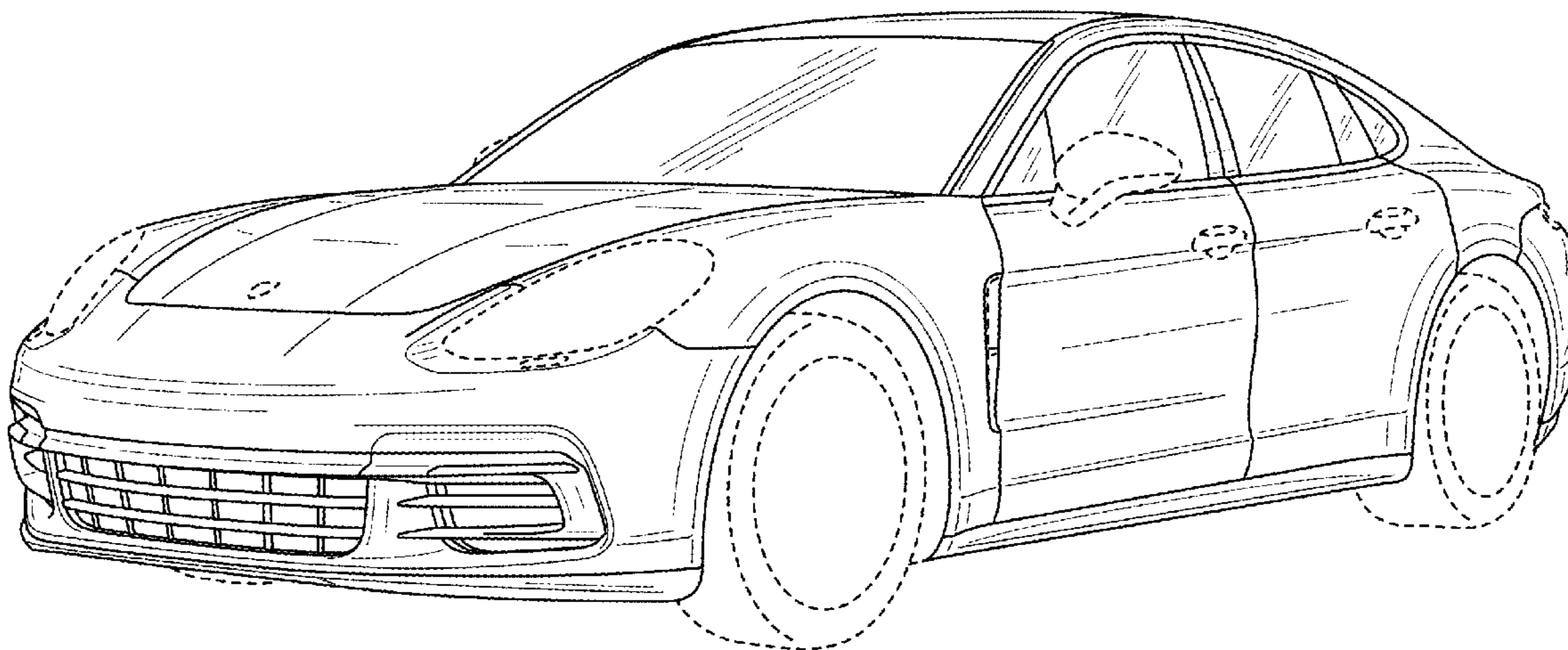
(57) **CLAIM**

The ornamental design for a motor vehicle, toy and/or replica, as shown and described.

DESCRIPTION

FIG. 1 is a front perspective view of a motor vehicle, toy and/or replica;
FIG. 2 is a right side elevation view thereof, the left side being substantially a mirror image;
FIG. 3 is a front elevation view thereof;
FIG. 4 is a rear elevation view thereof; and,
FIG. 5 is a top plan view thereof.
The broken line showing of the motor vehicle, toy and/or replica is for the purpose of illustrating portions of the motor vehicle, toy and/or replica and forms no part of the claimed design.

1 Claim, 4 Drawing Sheets



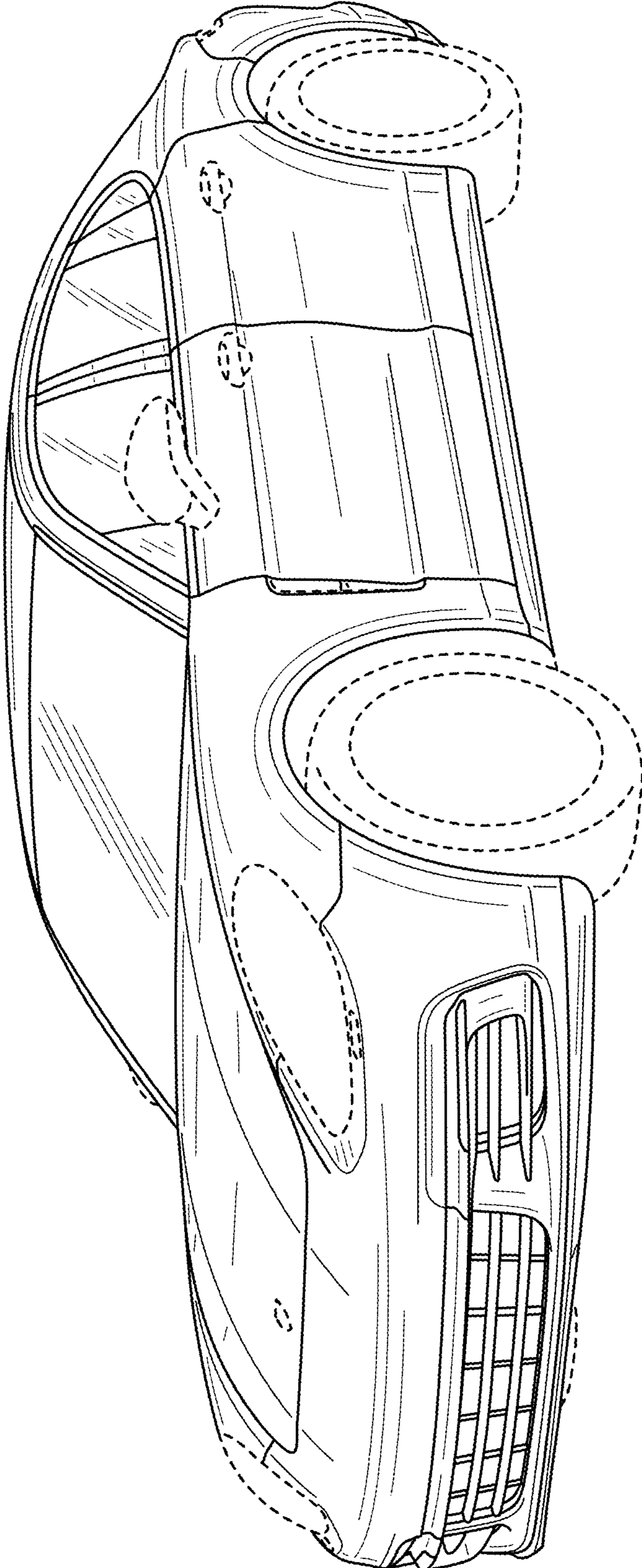


FIG. 1

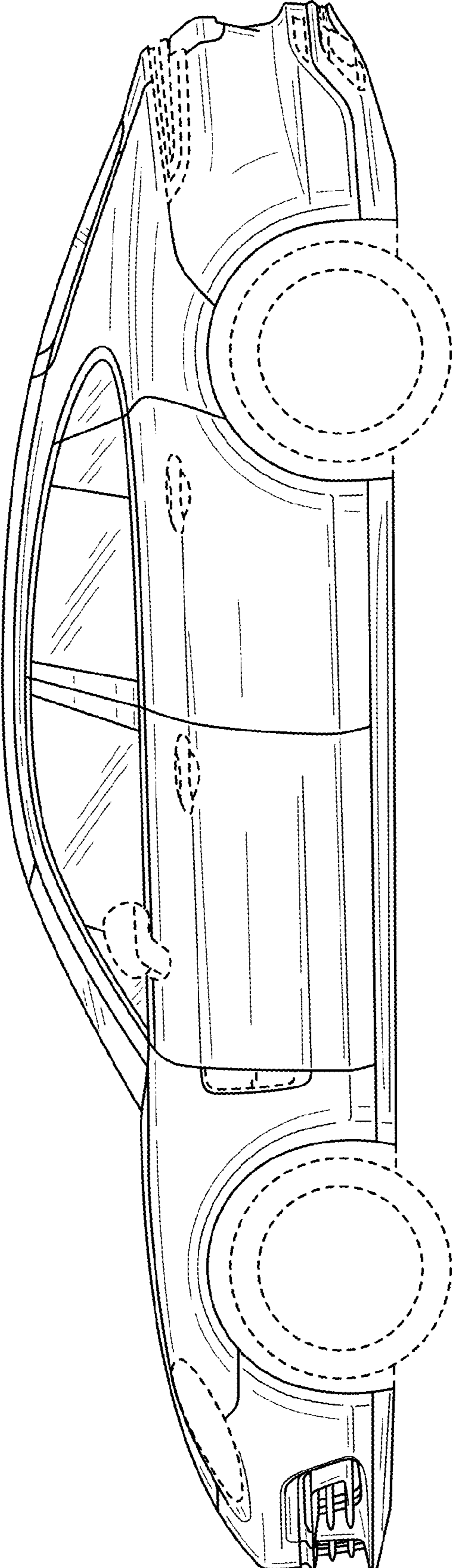


FIG. 2

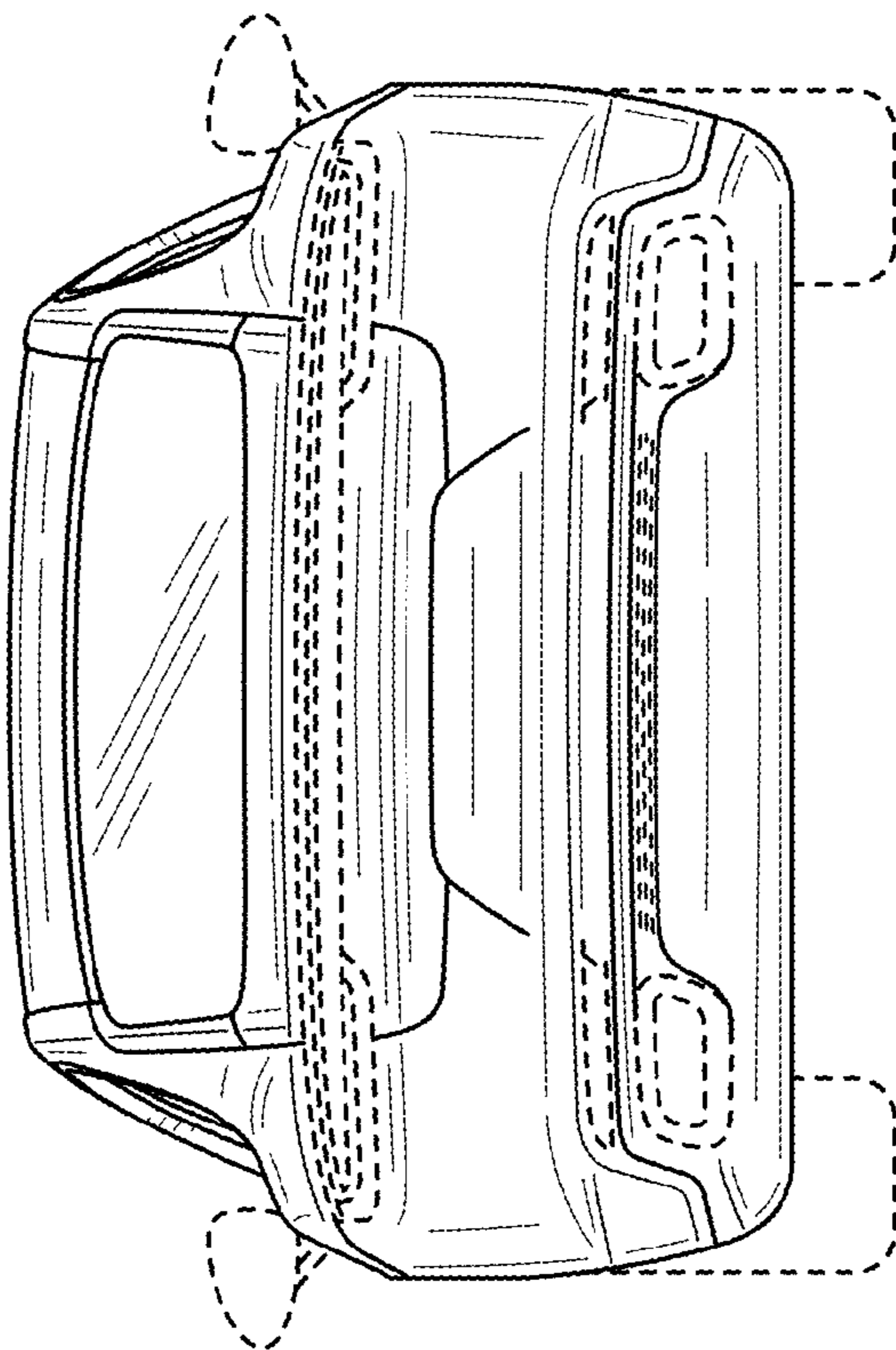


FIG. 4

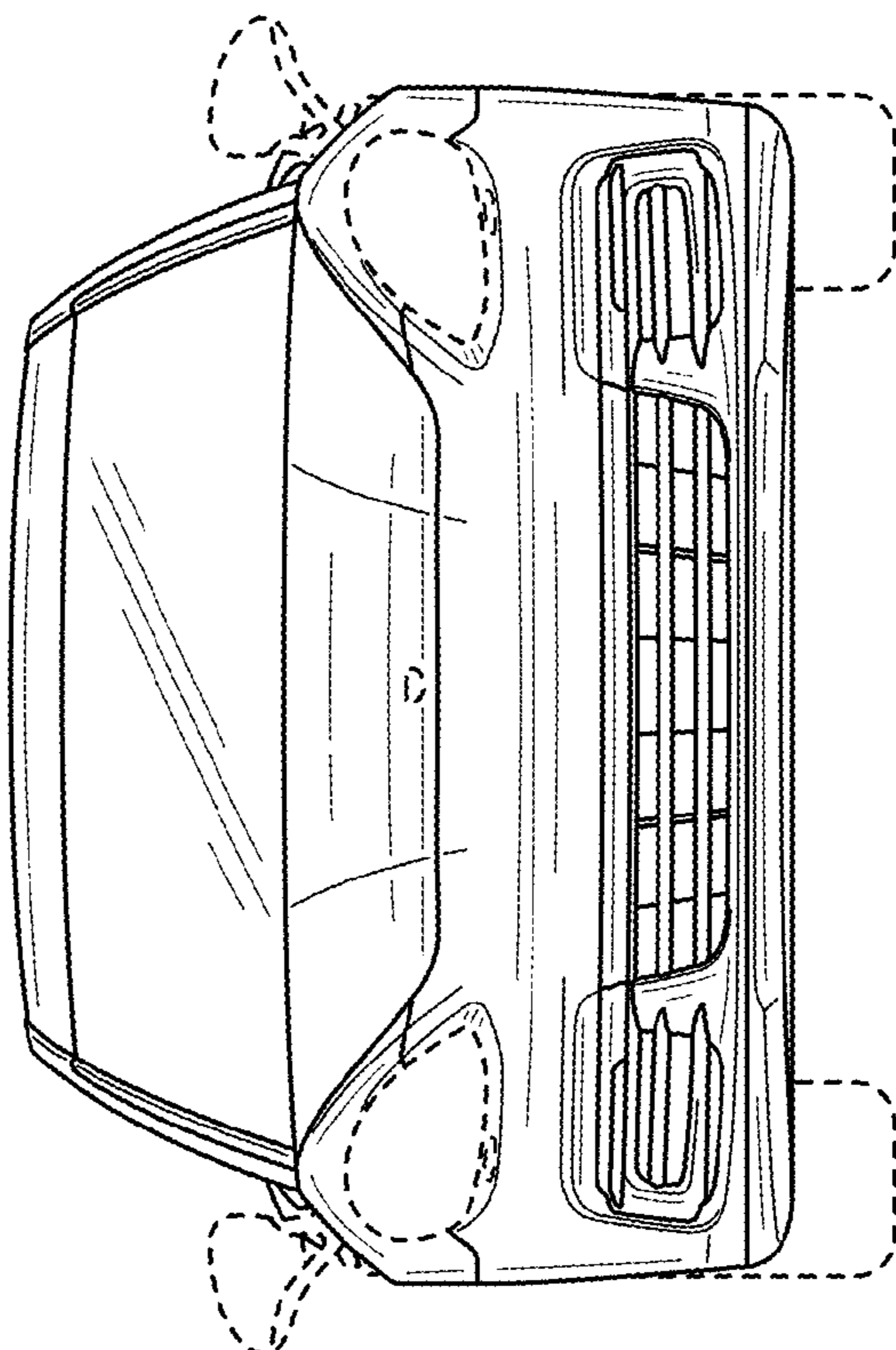


FIG. 3

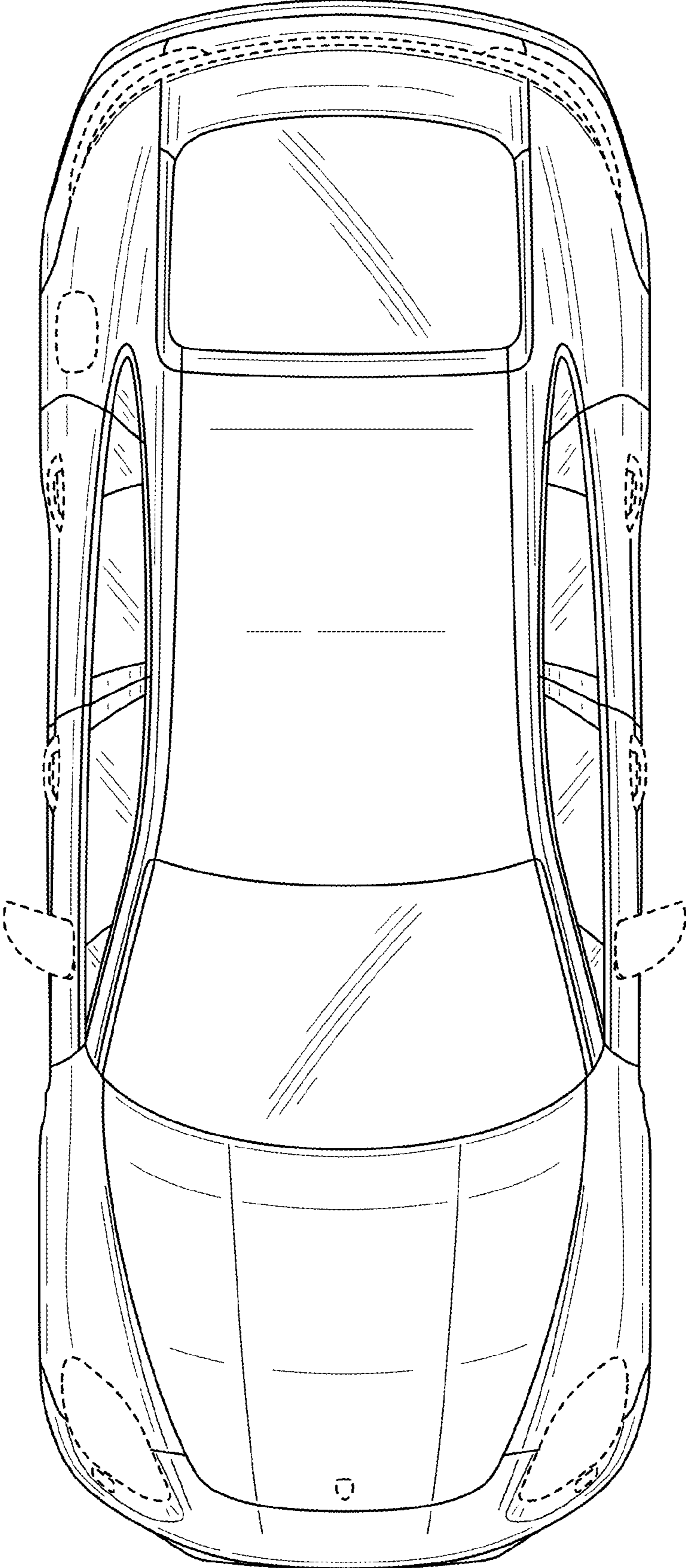


FIG. 5