



US00D763734S

(12) **United States Design Patent**  
**Castriota**

(10) **Patent No.:** **US D763,734 S**

(45) **Date of Patent:** **\*\* Aug. 16, 2016**

(54) **AUTOMOBILE**

(71) Applicant: **Jason Castriota**, Stamford, CT (US)

(72) Inventor: **Jason Castriota**, Stamford, CT (US)

(\*\*) Term: **15 Years**

(21) Appl. No.: **29/528,793**

(22) Filed: **Jun. 1, 2015**

(51) **LOC (10) Cl.** ..... **12-08**

(52) **U.S. Cl.**  
USPC ..... **D12/88**

(58) **Field of Classification Search**  
USPC ..... D12/86, 90-92, 88; D21/421, 433, 434;  
296/181.1, 181.5

CPC ..... B62D 35/00; B62D 25/00; B62D 25/06;  
B62D 33/00

See application file for complete search history.

(56) **References Cited**

**U.S. PATENT DOCUMENTS**

D710,259 S *	8/2014	Baccino	.....	D12/92
D717,213 S *	11/2014	Borgogno	.....	D12/92
D744,901 S *	12/2015	Fulgenzi	.....	D12/92

\* cited by examiner

*Primary Examiner* — Meldoy N Brown

(74) *Attorney, Agent, or Firm* — Troutman Sanders LLP;  
Ryan A. Schneider; Daniel T. Sharpe

(57) **CLAIM**

The ornamental design for an automobile, as shown and described.

**DESCRIPTION**

FIG. 1 illustrates a front, left perspective view of a new design for an automobile;

FIG. 2 illustrates a rear, left perspective view of a new design for an automobile;

FIG. 3 illustrates a rear view of a new design for an automobile;

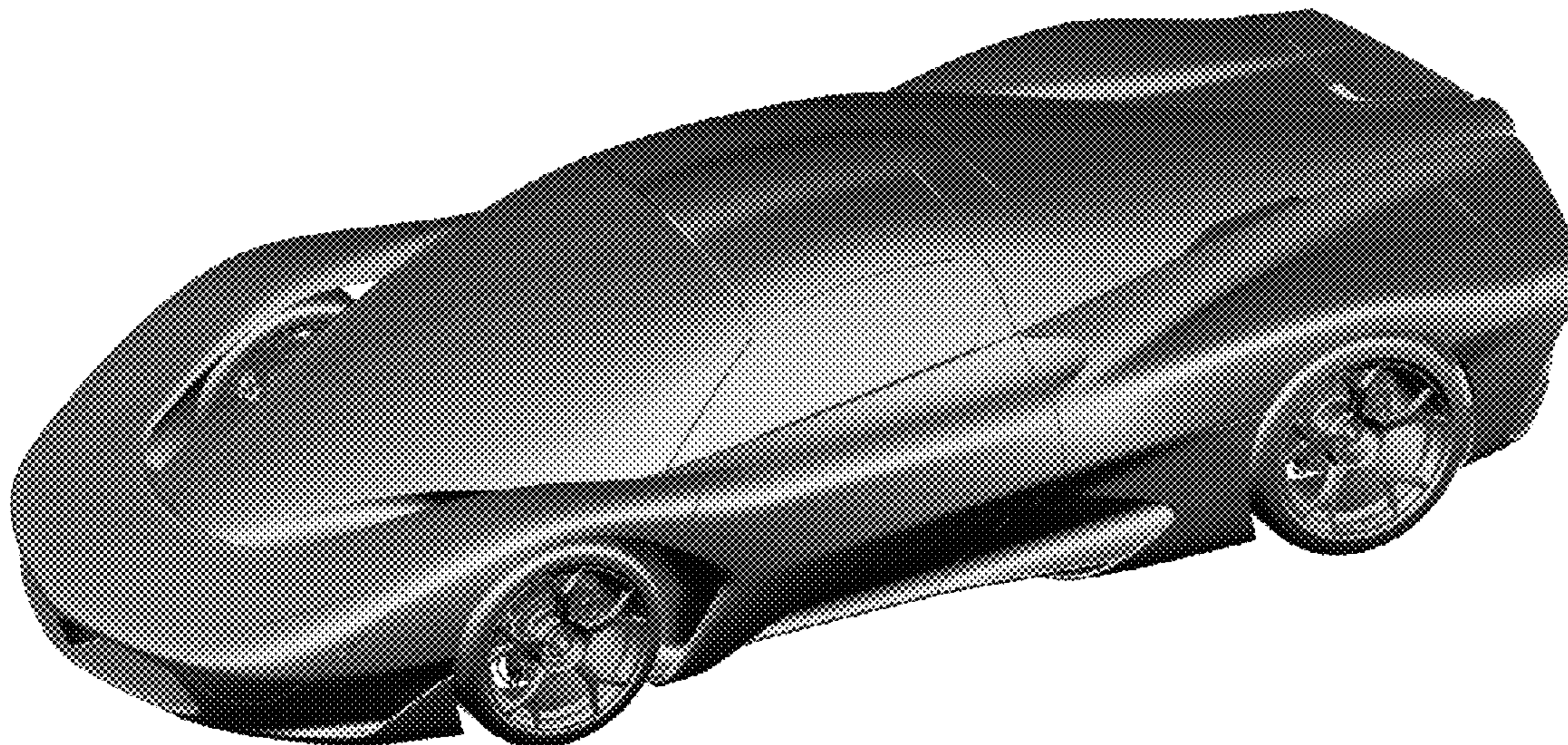
FIG. 4 illustrates a front view of a new design for an automobile;

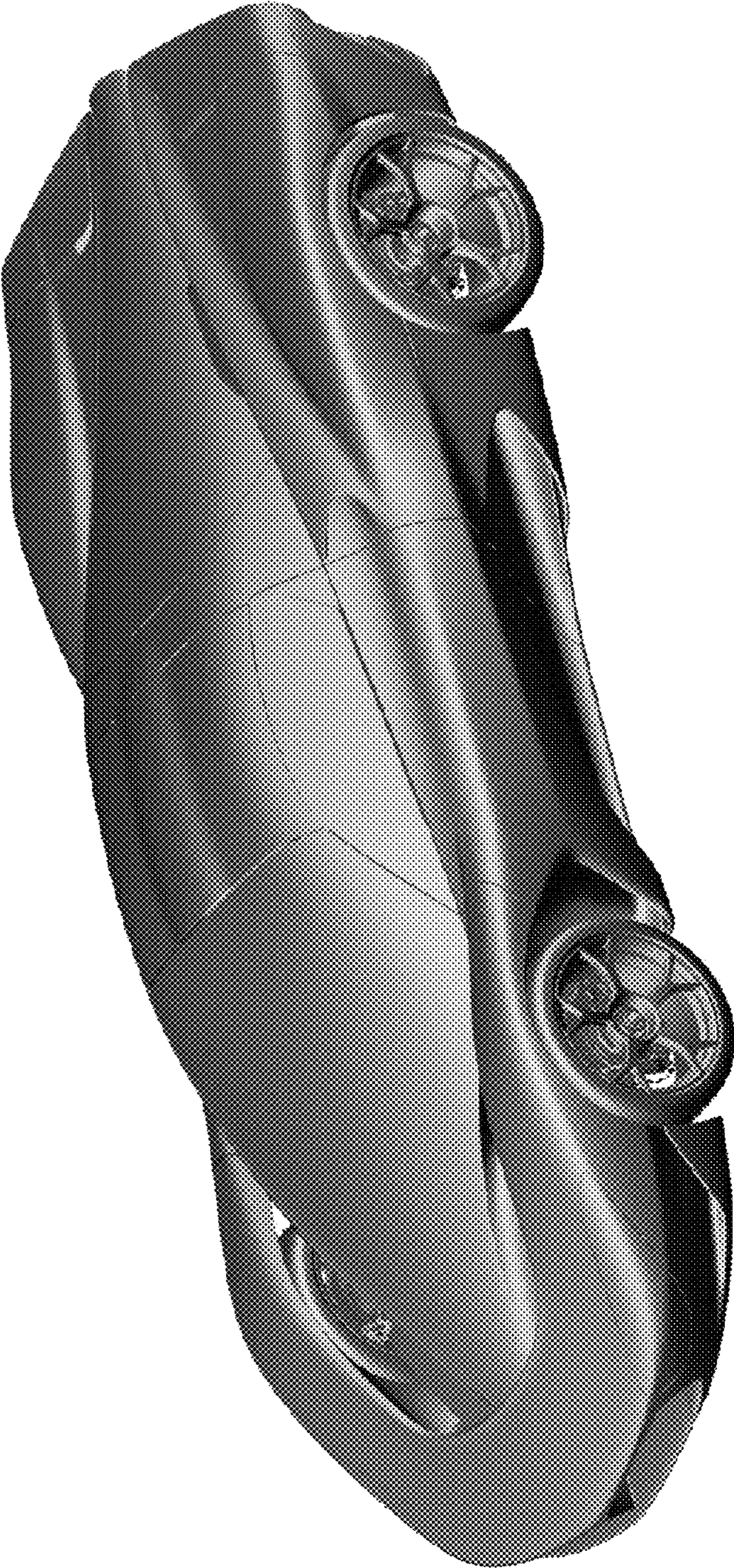
FIG. 5 illustrates a left view of a new design for an automobile; and,

FIG. 6 illustrates a top view of a new design for an automobile.

The broken lines shown throughout the drawing views are for illustrative purposes only and form no part of the claimed design.

**1 Claim, 6 Drawing Sheets**





**Fig. 1**

Fig. 2



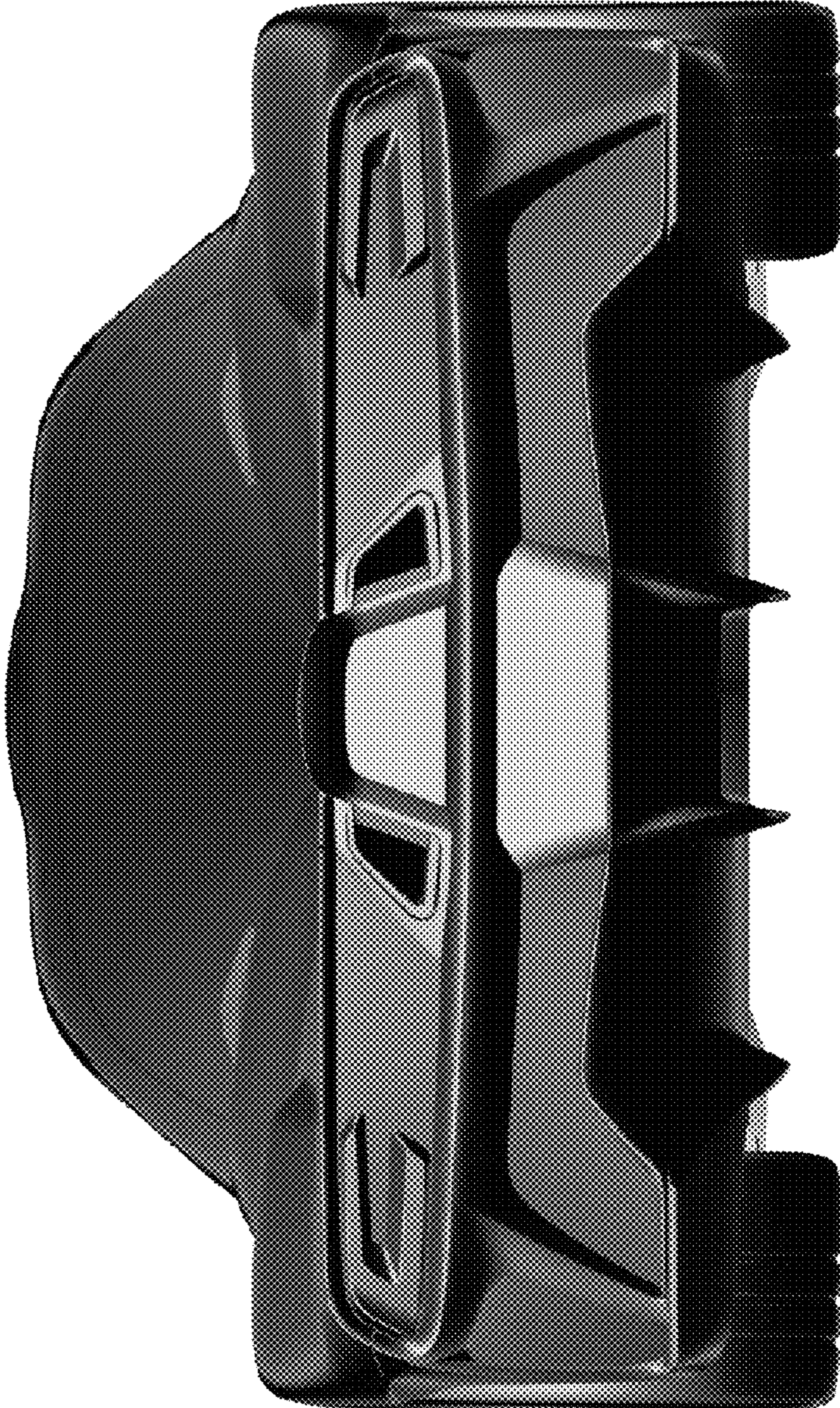
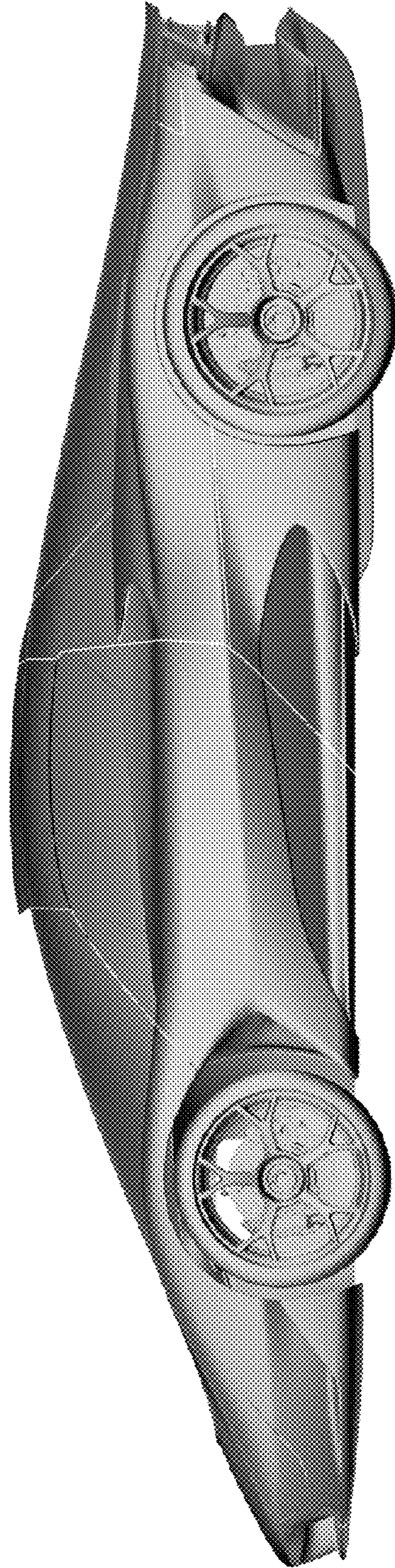


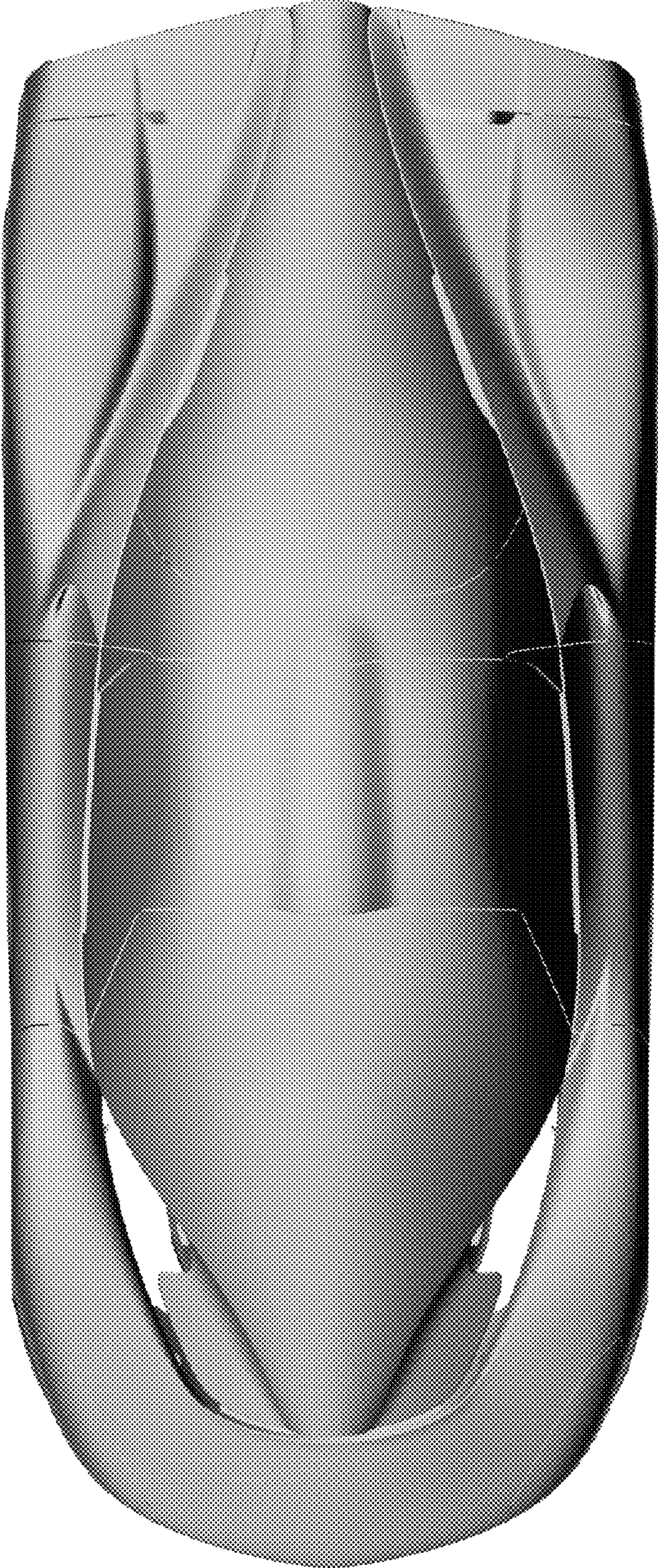
Fig. 3



Fig. 4



**Fig. 5**



**Fig. 6**