



US00D763732S

(12) **United States Design Patent**  
**Okuyama et al.**

(10) **Patent No.:** **US D763,732 S**

(45) **Date of Patent:** **\*\* Aug. 16, 2016**

(54) **UTILITY VEHICLE**

(71) Applicant: **YANMAR CO., LTD.**, Osaka-shi, Osaka (JP)

(72) Inventors: **Kiyoyuki Okuyama**, Yamagata (JP);  
**Masaaki Yamashita**, Osaka (JP);  
**Tsuyoshi Kawakami**, Osaka (JP);  
**Daisuke Hirata**, Osaka (JP)

(73) Assignee: **Yanmar Co., Ltd.**, Osaka (JP)

(\*\*) Term: **14 Years**

(21) Appl. No.: **29/526,395**

(22) Filed: **May 8, 2015**

(30) **Foreign Application Priority Data**

Nov. 11, 2014 (JP) ..... D2014-25170

(51) **LOC (10) Cl.** ..... **12-13**

(52) **U.S. Cl.**  
USPC ..... **D12/14**

(58) **Field of Classification Search**

USPC ..... D12/1, 2, 13, 12, 15, 14, 16, 86, 87, 3,  
D12/4, 5, 85, 107, 110, 173; D21/14, 424,  
D21/433, 803; D15/30; 296/1.01, 24.33,  
296/181.1, 181.2, 181.4, 187.01, 187.09,  
296/187.11, 187.12, 190.08, 192, 193.05,  
296/193.11, 181.5; 280/183-185, DIG. 5, 1,  
280/16, 82, 88, 90, 14, 756; 180/233, 908,  
180/89.1, 89.11, 6.5

CPC ..... B62D 35/00; B62D 39/00; B62D 47/00;  
B62D 47/003; B62D 63/02; B62D 33/0617;  
B62D 33/00; A01B 59/02; B60L 2200/22;  
B60Y 2200/86; B60Y 2200/91; B60R 21/13

See application file for complete search history.

(56) **References Cited**

U.S. PATENT DOCUMENTS

D642,493	S	*	8/2011	Goebert	.....	D12/87
D682,738	S	*	5/2013	Li	.....	D12/14
D701,143	S	*	3/2014	Shan	.....	D12/87
D712,309	S	*	9/2014	Wu	.....	D12/14
D719,061	S	*	12/2014	Tandrup	.....	D12/87
D737,724	S	*	9/2015	Schroeder	.....	D12/14
2007/0267241	A1	*	11/2007	Ball	.....	B62D 27/065 180/312
2013/0087402	A1	*	4/2013	Kaku	.....	B60K 13/04 180/309

\* cited by examiner

*Primary Examiner* — T. Chase Nelson

*Assistant Examiner* — Ania Aman

(74) *Attorney, Agent, or Firm* — Sterne, Kessler, Goldstein & Fox P.L.L.C.

(57) **CLAIM**

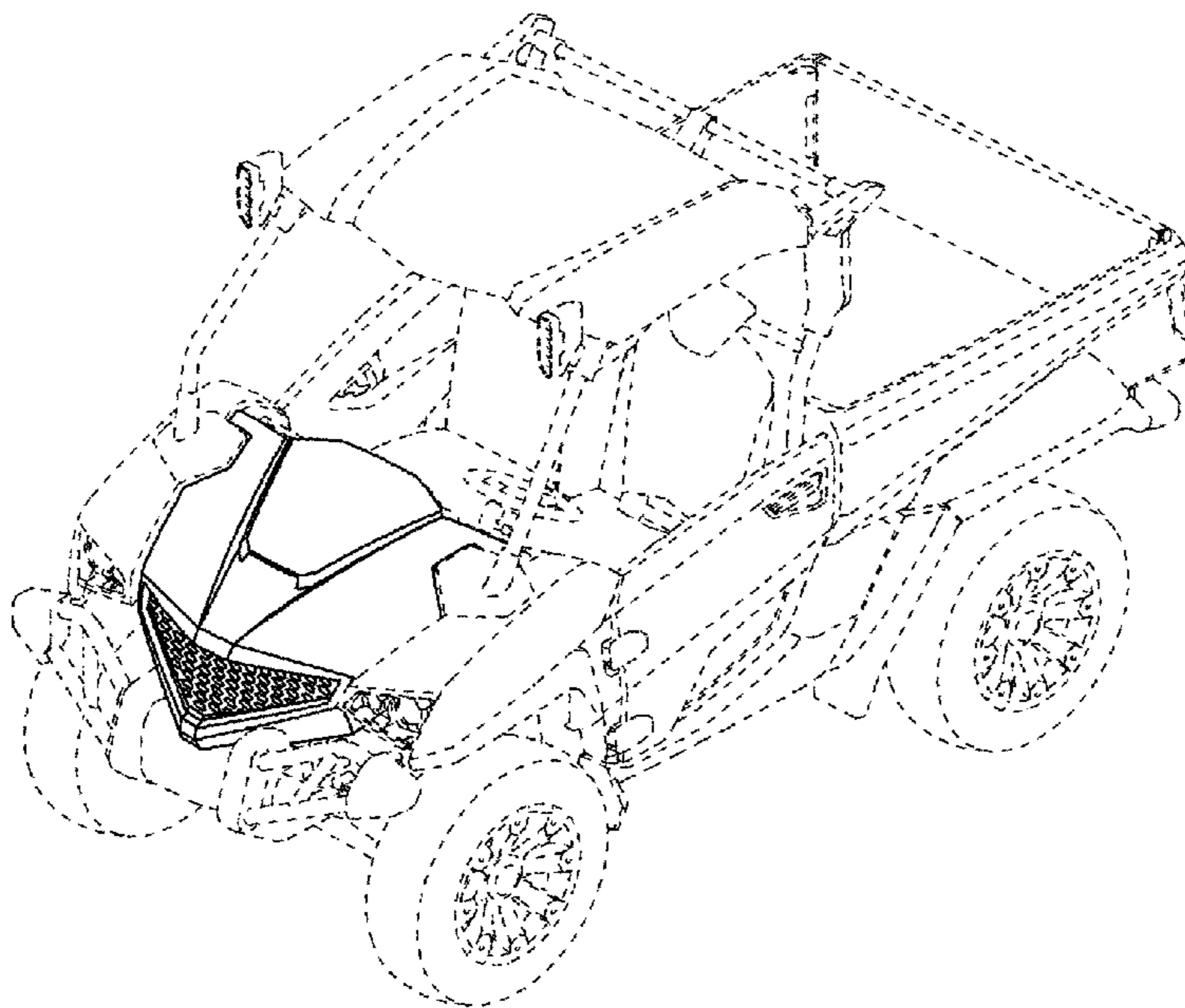
The ornamental design for a utility vehicle, as shown and described.

**DESCRIPTION**

FIG. 1 is a front perspective view of a utility vehicle showing our new design;  
FIG. 2 is a right side view thereof;  
FIG. 3 is a left side view thereof;  
FIG. 4 is a top plan view thereof;  
FIG. 5 is a bottom plan view thereof;  
FIG. 6 is a front view thereof; and,  
FIG. 7 is a rear view thereof.

The broken lines in the figures show portions of the utility vehicle that form no part of the claimed design.

**1 Claim, 7 Drawing Sheets**



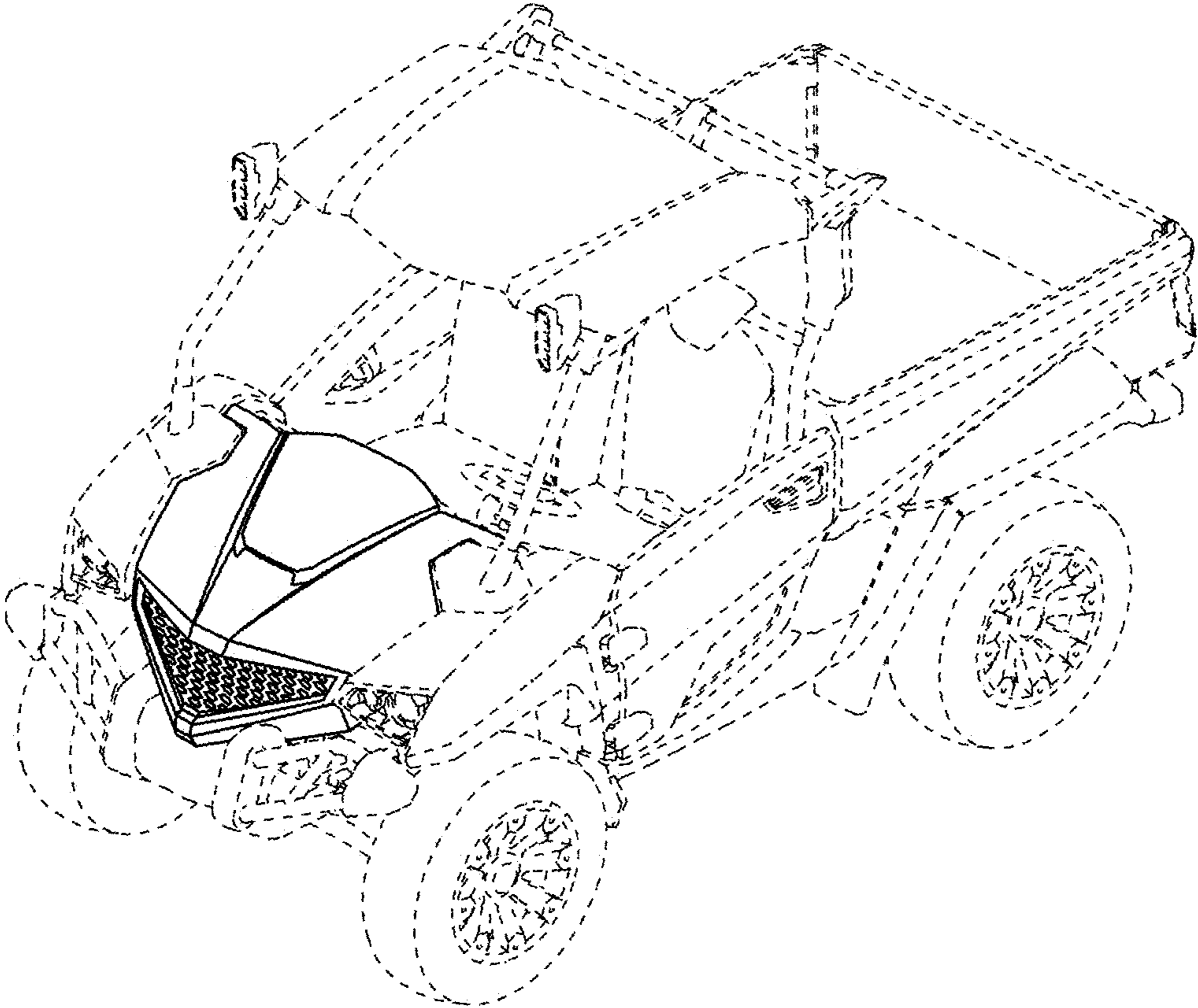


FIG. 1

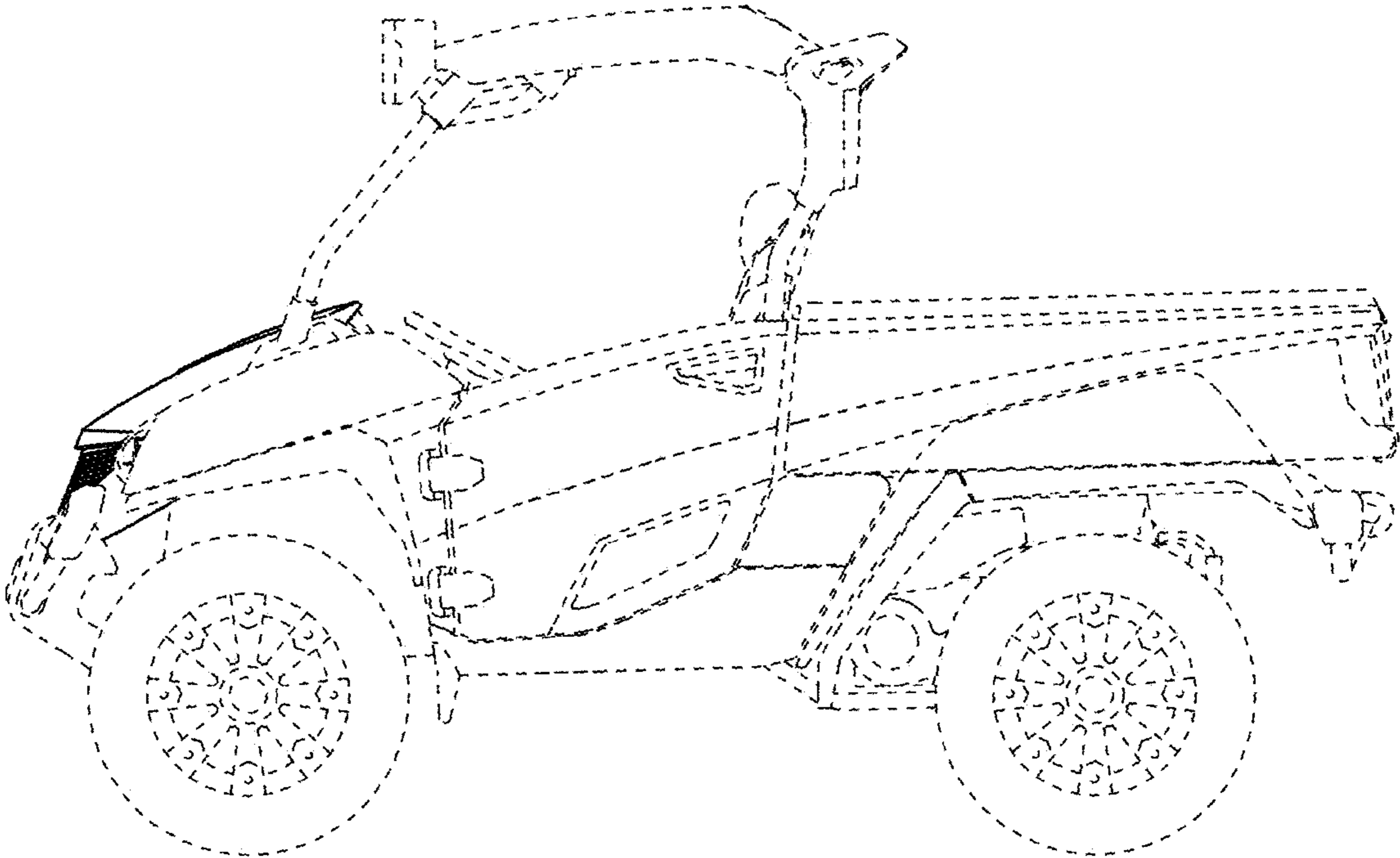


FIG. 2

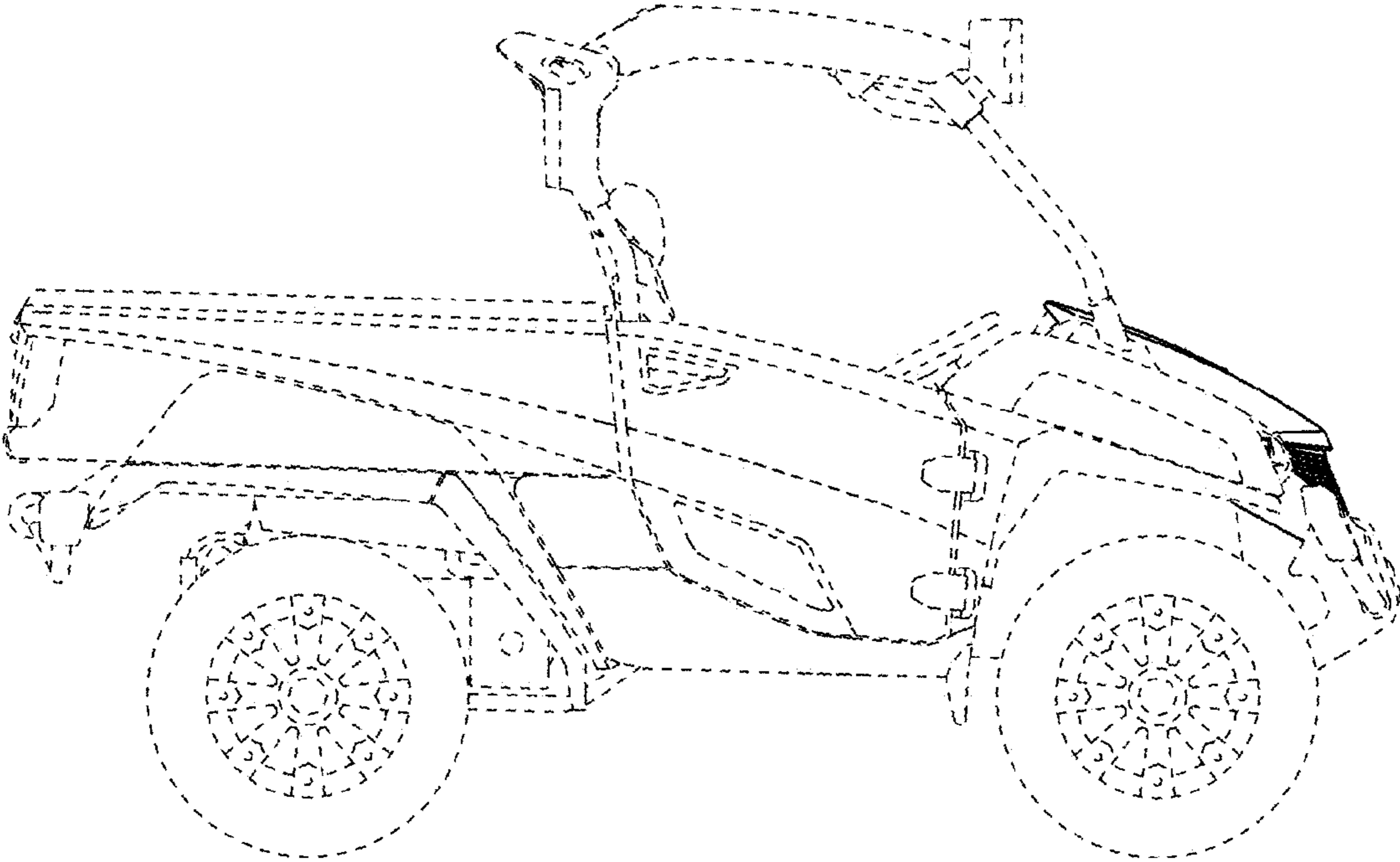


FIG. 3

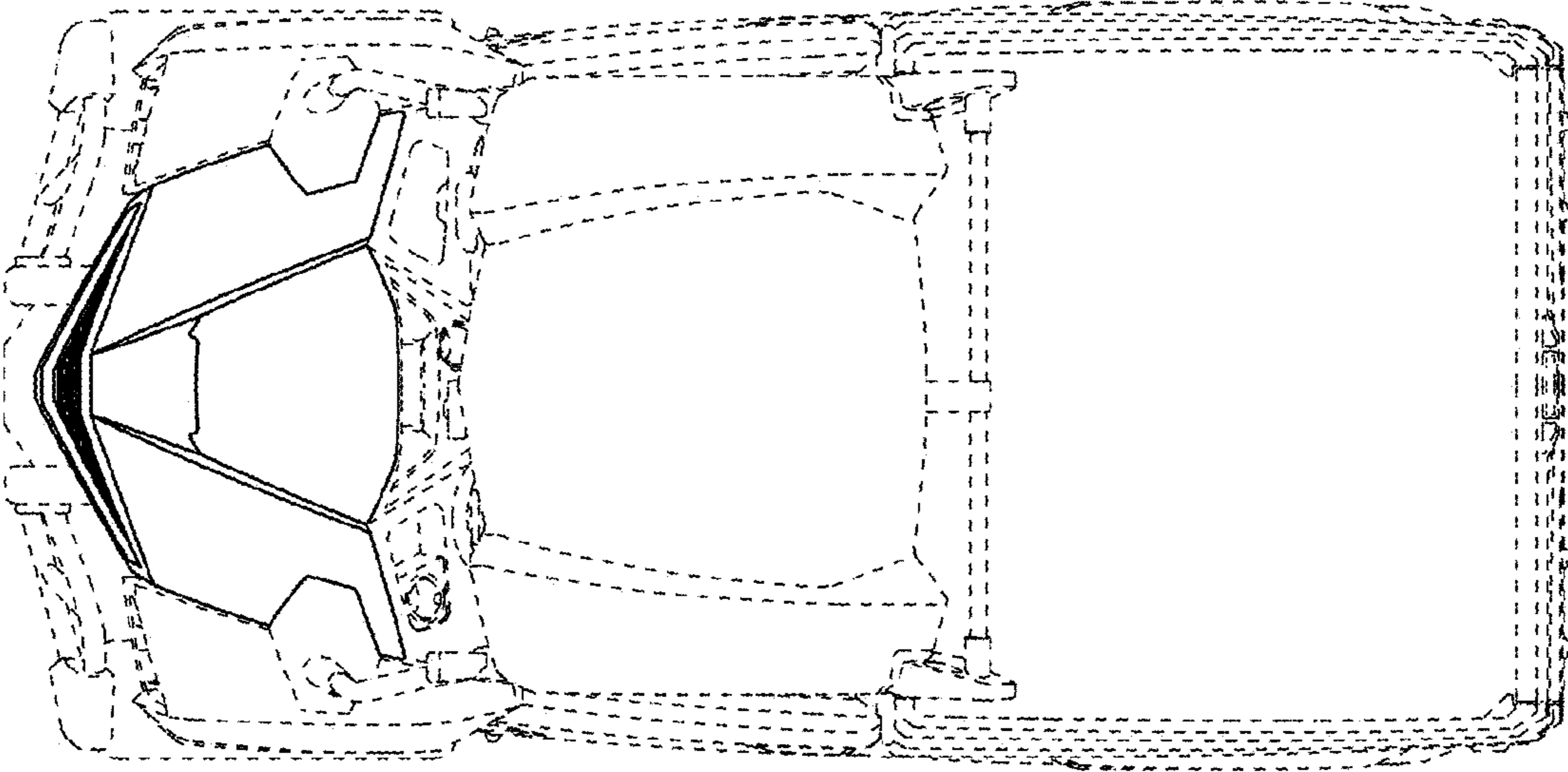


FIG. 4

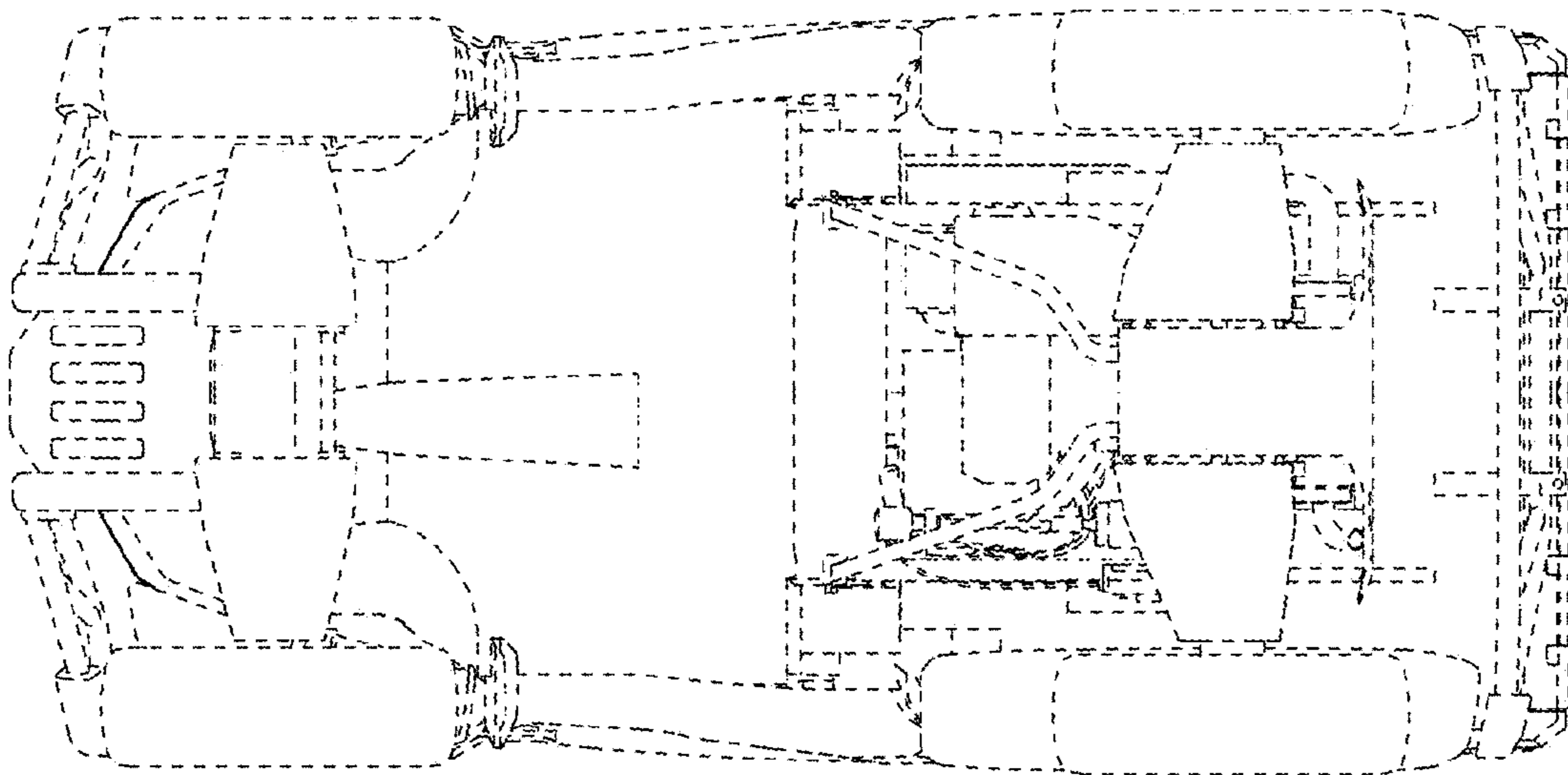


FIG. 5

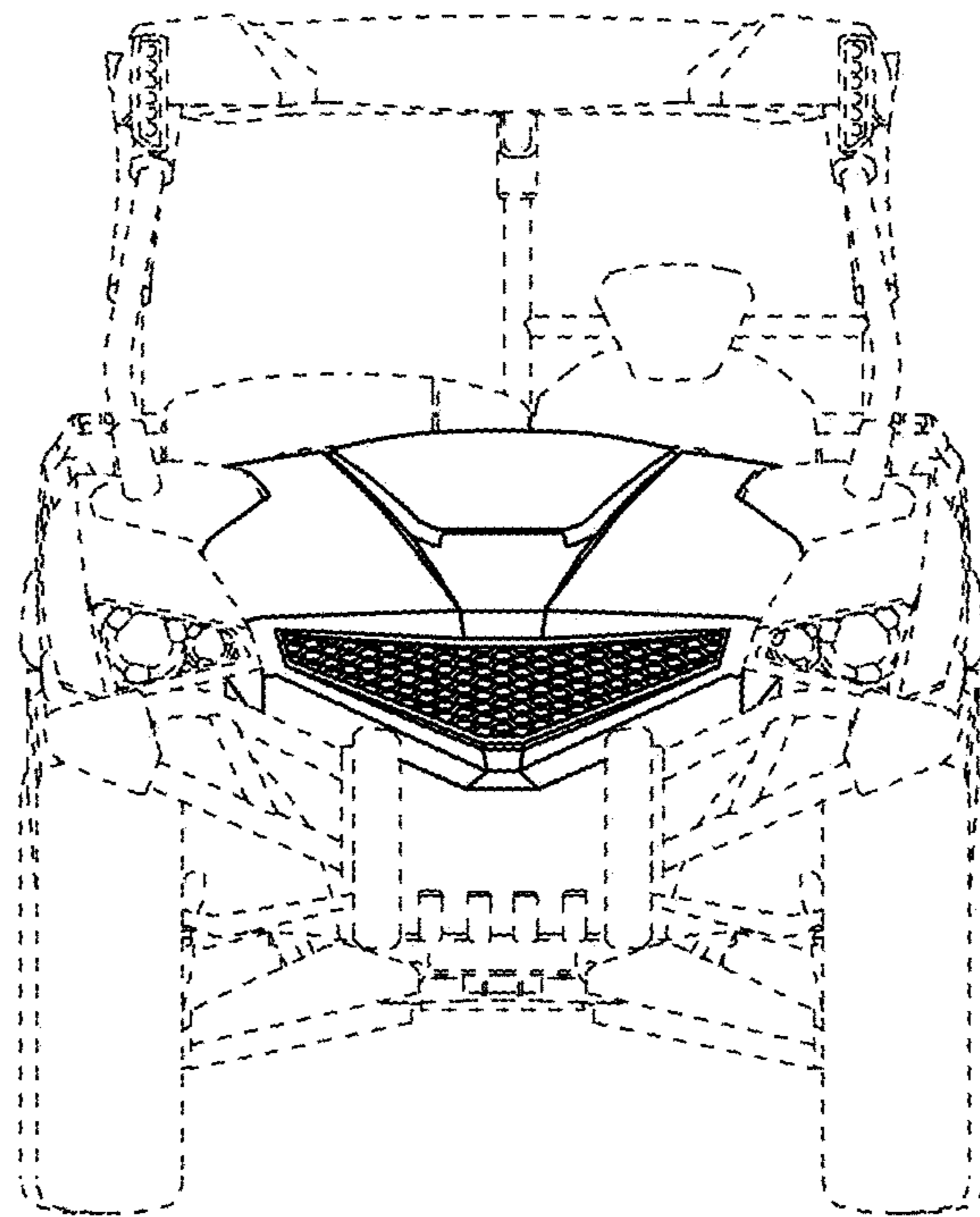


FIG. 6

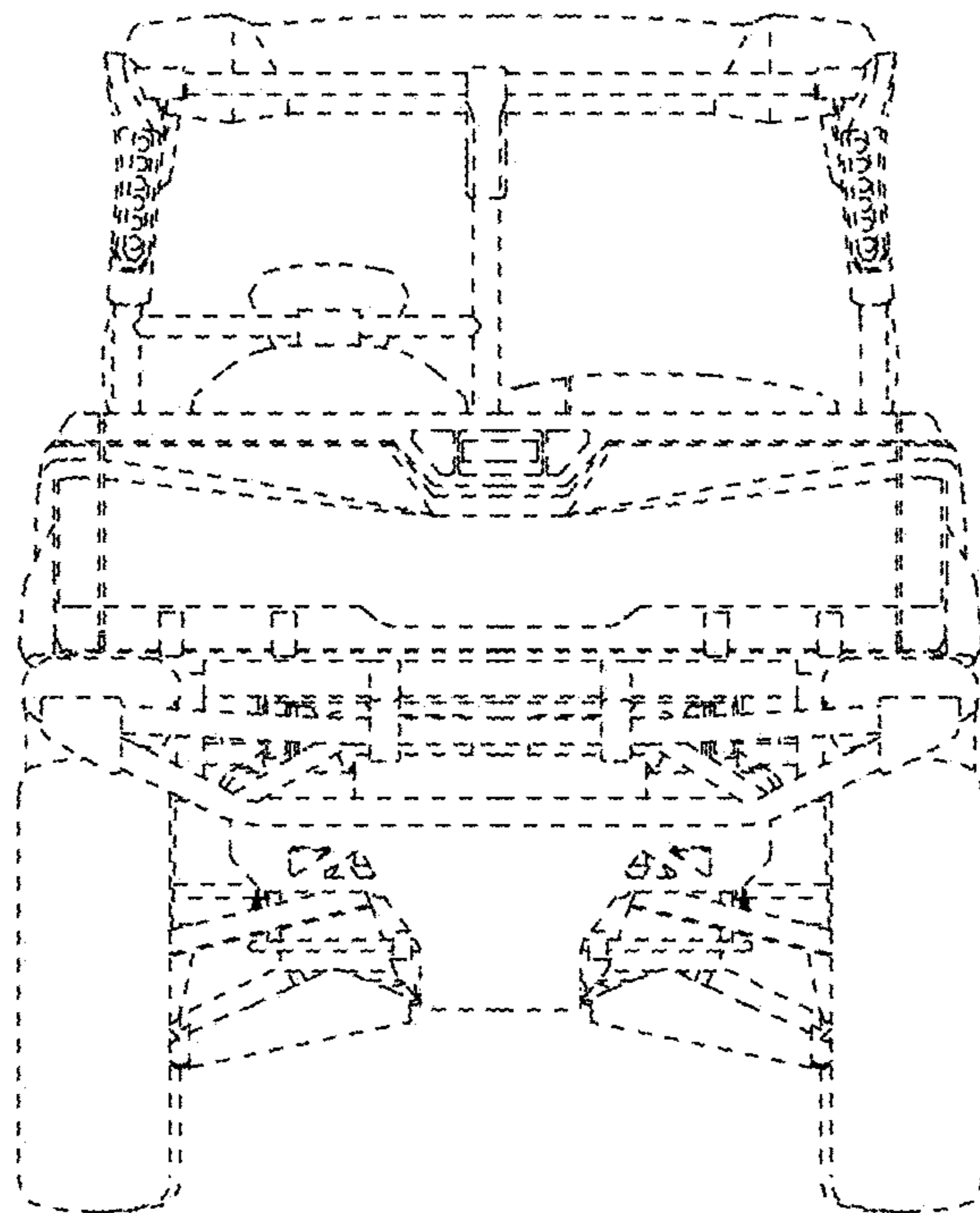


FIG. 7