



US00D763730S

(12) **United States Design Patent**
Nielsen

(10) **Patent No.:** **US D763,730 S**

(45) **Date of Patent:** **** Aug. 16, 2016**

(54) **BUTTON COVER WITH A CLASP**
(71) Applicant: **Robert Nielsen**, Henderson, NV (US)
(72) Inventor: **Robert Nielsen**, Henderson, NV (US)
(**) Term: **14 Years**

6,618,908 B1 9/2003 Lamb
8,220,111 B2 7/2012 Poliakoff
D673,481 S * 1/2013 Kim D11/222
D712,308 S * 9/2014 Weber D11/222
2004/0226145 A1* 11/2004 Ouellette A44B 1/14
24/113 MP
2012/0117763 A1 5/2012 Patel
2012/0240356 A1 9/2012 Nathanson

(21) Appl. No.: **29/506,052**

(22) Filed: **Oct. 13, 2014**

(51) **LOC (10) Cl.** **02-07**

(52) **U.S. Cl.**
USPC **D11/222**

(58) **Field of Classification Search**
USPC D06/601, 607, 610, 611; D11/200–237
CPC A44B 1/14; A44B 1/00; Y10T 24/36
See application file for complete search history.

FOREIGN PATENT DOCUMENTS

EP 01113316 11/1983
EP 1736068 12/2006

* cited by examiner

Primary Examiner — Ian Simmons
Assistant Examiner — Rashida C Walshon
(74) *Attorney, Agent, or Firm* — Lightbulb IP, LLC

(56) **References Cited**

U.S. PATENT DOCUMENTS

3,139,690 A * 7/1964 Hait A63B 57/353
224/918
3,343,230 A * 9/1967 Darvie A44B 1/14
24/113 MP
3,715,781 A * 2/1973 Salvatori A44B 1/28
24/113 MP
3,777,336 A * 12/1973 Anderson A44B 1/14
24/113 MP
5,033,168 A * 7/1991 Sbragi A44B 1/14
24/113 MP
5,060,356 A 10/1991 Szedzinski
5,161,285 A 11/1992 Jerjian
5,621,951 A * 4/1997 Gould A44B 1/14
24/113 MP
D396,202 S * 7/1998 Lindsay 24/90.5
5,901,417 A * 5/1999 Alexiou A44B 1/14
24/113 MP
D475,322 S * 6/2003 Ouellette D11/222

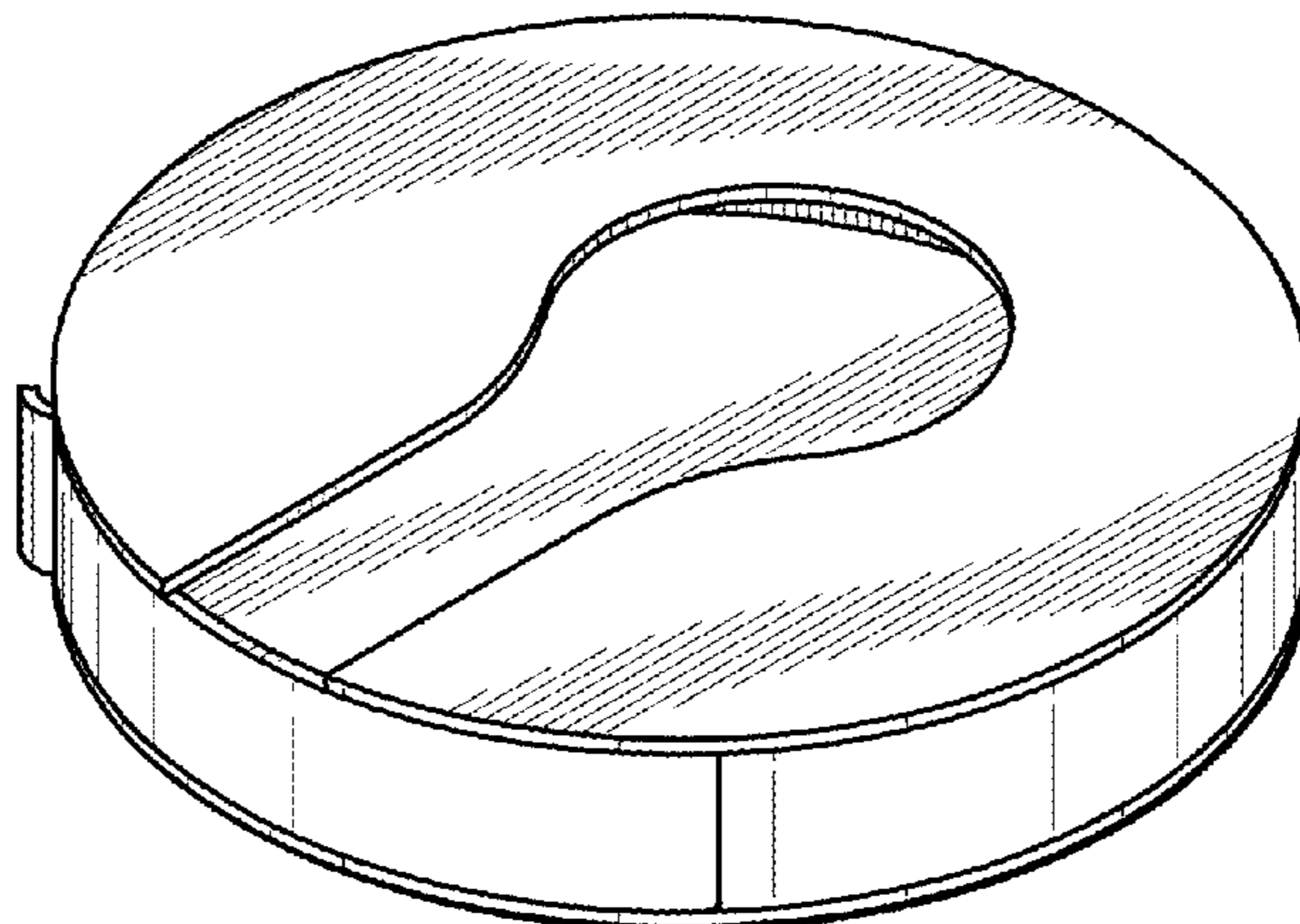
(57) **CLAIM**

The ornamental design for a button cover with a clasp, as shown and described.

DESCRIPTION

FIG. 1 is a bottom perspective view of a button cover with a clasp.
FIG. 2 is a bottom view of a button cover with a clasp.
FIG. 3 is a top view of a button cover with a clasp
FIG. 4 is a side view of a button cover with a clasp.
FIG. 5 is an opposite side view of a button cover with a clasp.
FIG. 6 is a back view of a button cover with a clasp.
FIG. 7 is a front view of a button cover with a clasp; and,
FIG. 8 is a bottom perspective view of a button cover with a clasp, with the clasp in an open position.

1 Claim, 3 Drawing Sheets



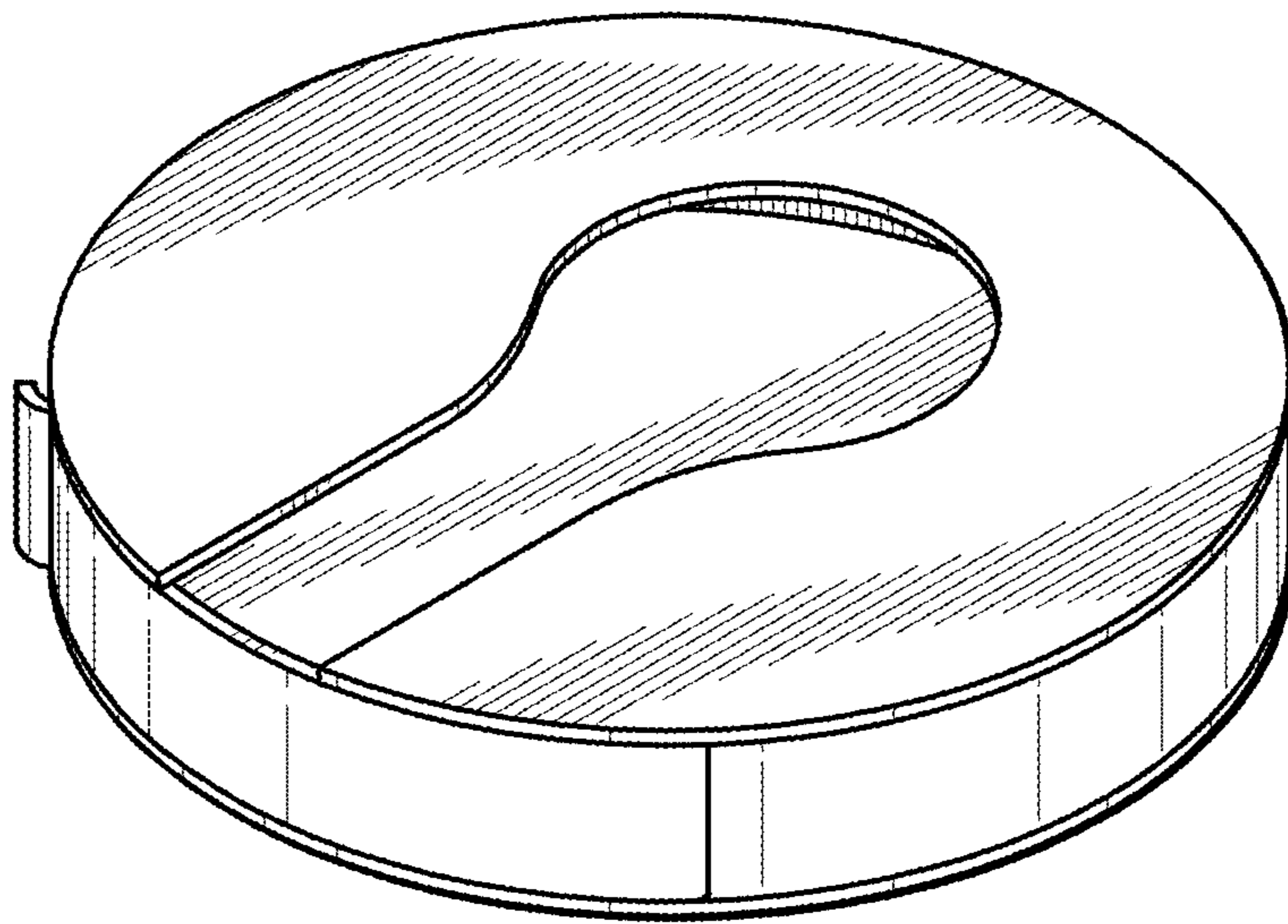


FIG. 1

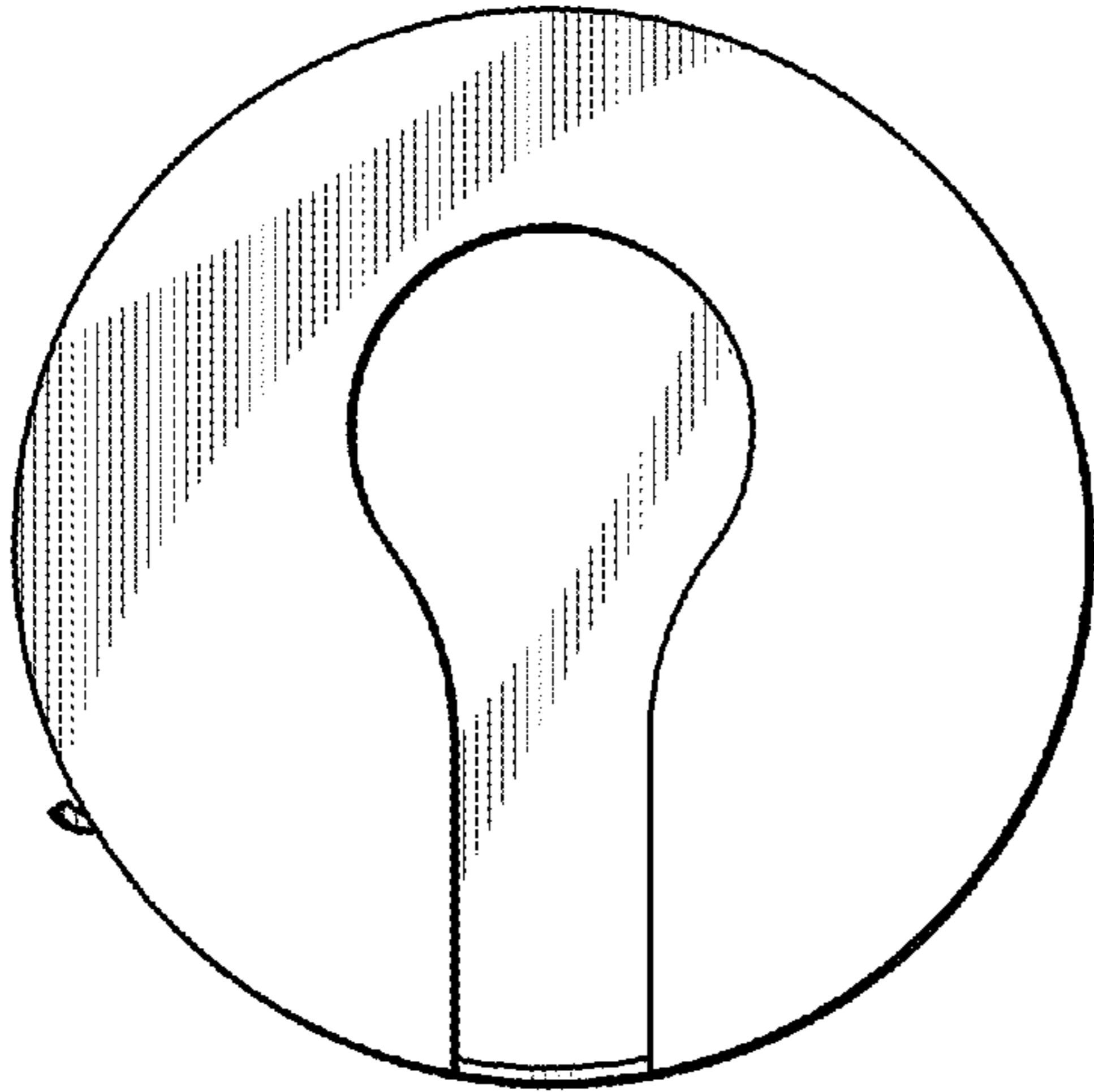


FIG. 2

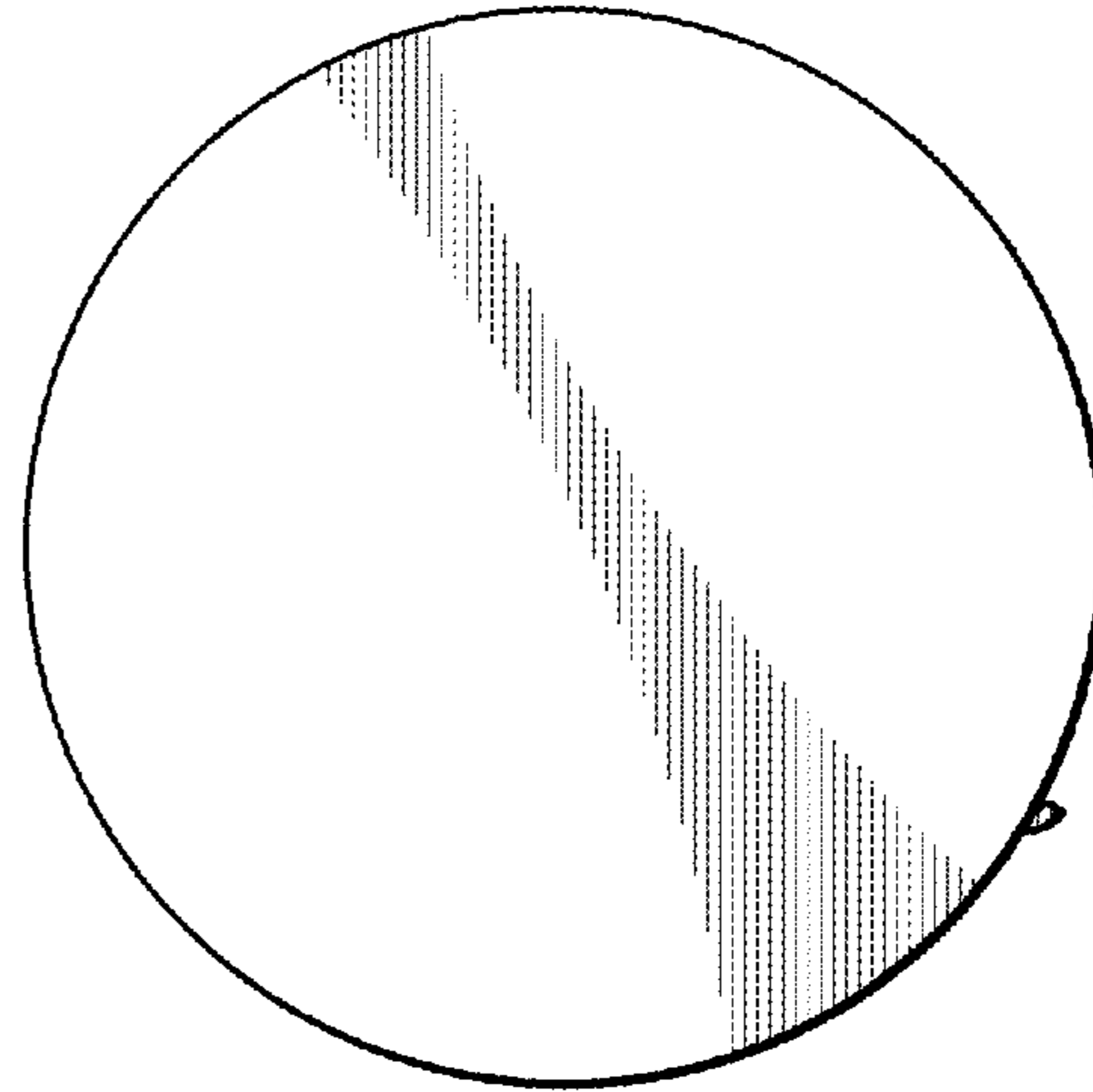


FIG. 3

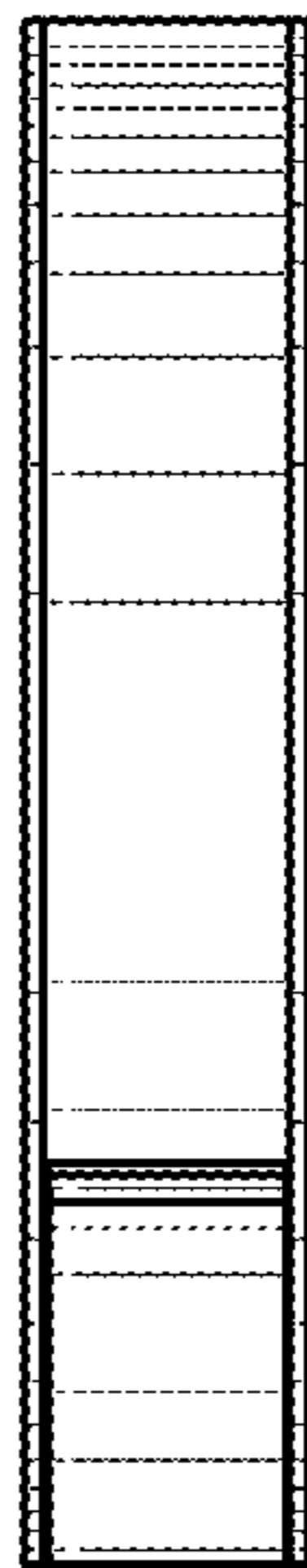


FIG. 4

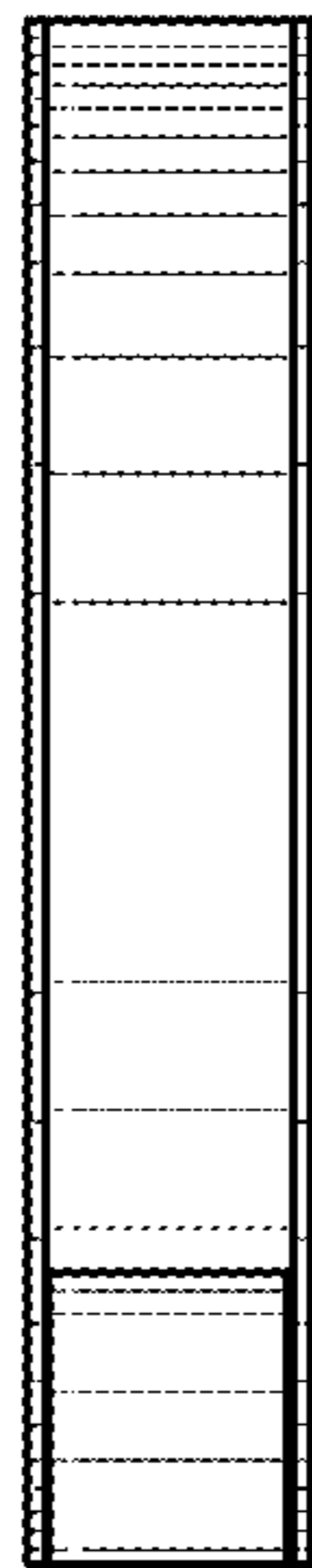


FIG. 5

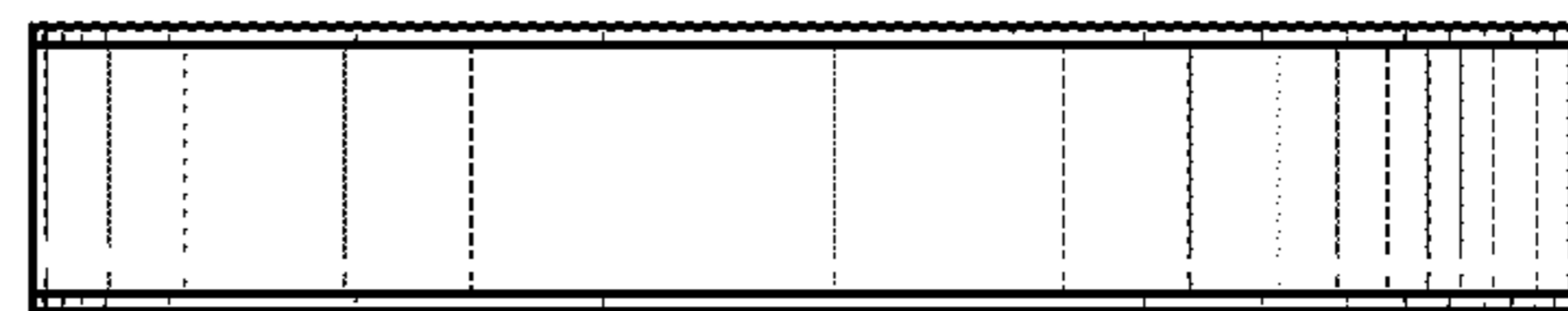


FIG. 6

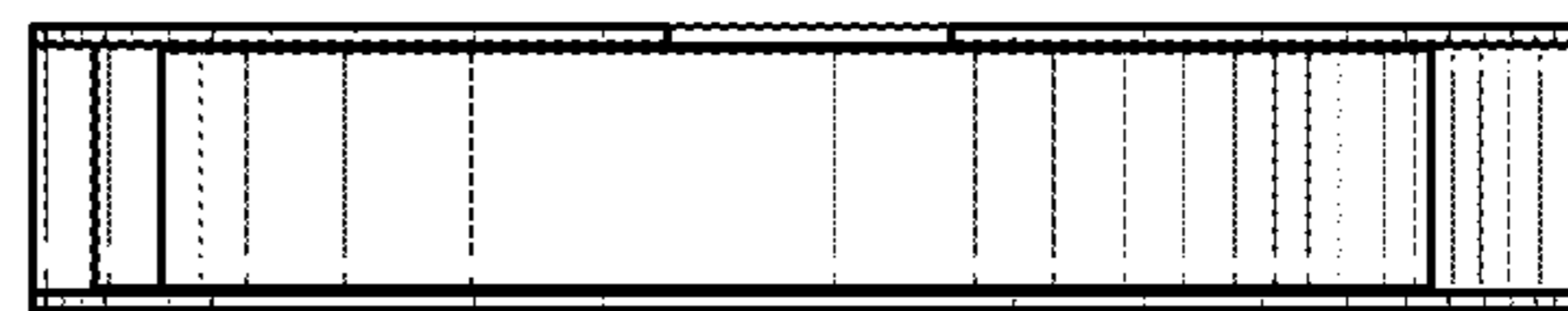


FIG. 7

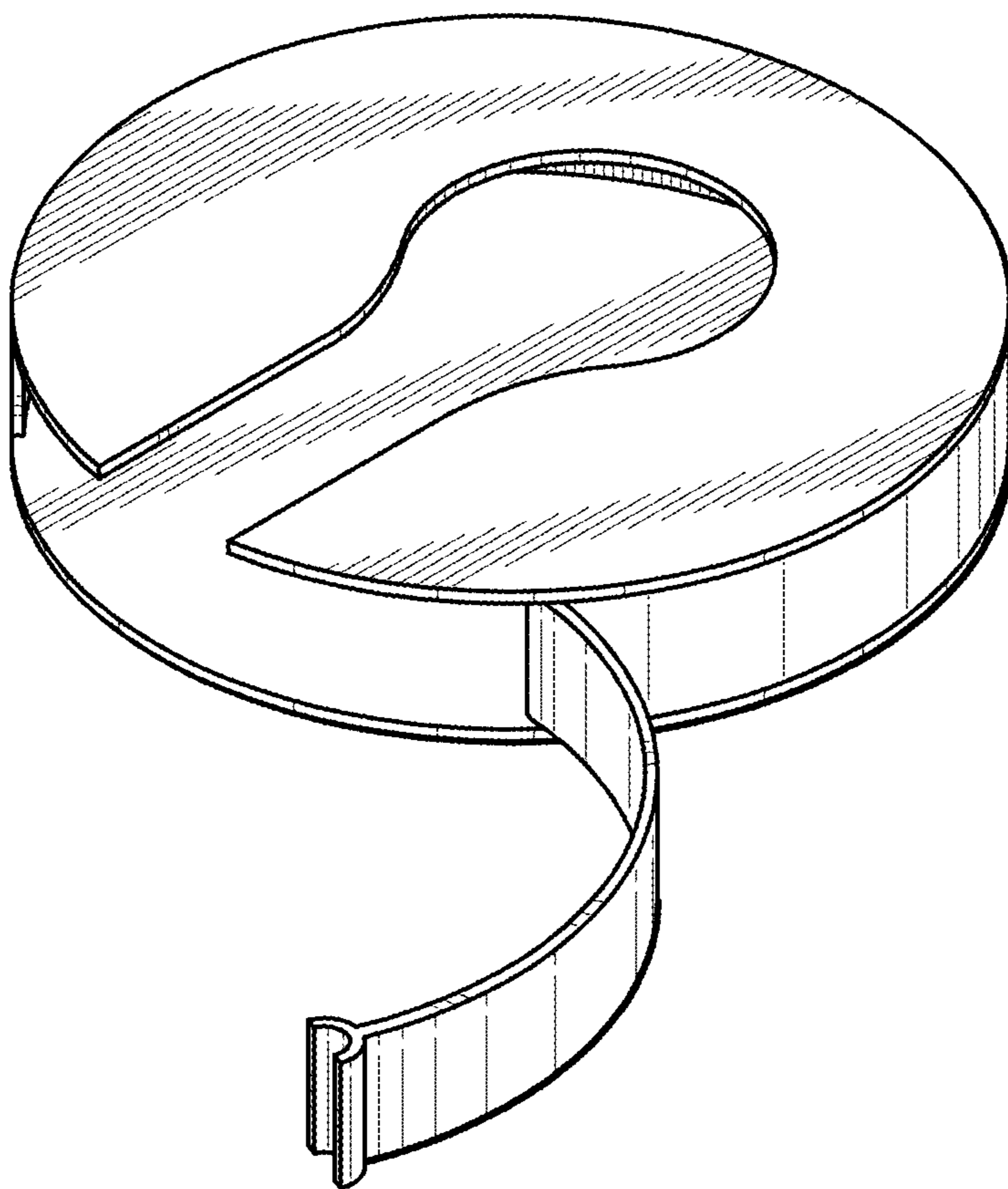


FIG. 8