



US00D763720S

(12) **United States Design Patent**
Yatsugi-Kang

(10) **Patent No.:** **US D763,720 S**

(45) **Date of Patent:** **** Aug. 16, 2016**

(54) **EARRING**

(71) Applicant: **HARRY WINSTON SA,**
Plan-les-Ouates (CH)

(72) Inventor: **Rie Yatsugi-Kang,** Cresskill, NJ (US)

(73) Assignee: **HARRY WINSTON SA,**
Plan-les-Ouates (CH)

(**) Term: **15 Years**

(21) Appl. No.: **29/538,267**

(22) Filed: **Sep. 2, 2015**

(30) **Foreign Application Priority Data**

Mar. 3, 2015 (WO) DM/085759

(51) **LOC (10) Cl.** **11-01**

(52) **U.S. Cl.**
USPC **D11/40**

(58) **Field of Classification Search**

USPC D11/1, 2, 7, 8, 40-45, 47, 48, 79-86,
D11/90, 91, 92, 67, 69, 75, 76
CPC A44C 1/00; A44C 3/00; A44C 3/004;
A44C 3/005; A44C 3/007; A44C 3/008;
A44C 5/02; A44C 7/00; A44C 7/002; A44C
7/003; A44C 7/004; A44C 7/005; A44C
7/006; A44C 7/007; A44C 7/008; A44C
7/009; A44C 25/00; A44C 25/001; A44C
25/002; A44C 25/004; A44C 25/005; A44C
25/007
See application file for complete search history.

(56) **References Cited**

U.S. PATENT DOCUMENTS

D42,604 S * 6/1912 Huml D11/207
D67,450 S * 6/1925 Fagin D11/47
D135,780 S * 6/1943 Levy D11/40

D143,214 S * 12/1945 Katz D11/67
D147,410 S * 9/1947 Katz D11/41
D157,167 S * 2/1950 Katz D11/40
D171,155 S * 12/1953 Katz D11/79
D172,095 S * 5/1954 Katz D11/7
D175,409 S * 8/1955 Katz D11/76
D177,395 S * 4/1956 Katz D11/76
D485,509 S * 1/2004 Shagalov D11/91
D539,183 S * 3/2007 Karachi-Langane D11/40
D622,173 S * 8/2010 Blad D11/40
D640,950 S * 7/2011 Zuiderveld D11/84
D727,773 S * 4/2015 Kwon D11/42
D747,666 S * 1/2016 Yatsugi-Kang D11/43
D751,451 S * 3/2016 Kwon D11/42
D753,013 S * 4/2016 Riviere D11/79

OTHER PUBLICATIONS

[online] https://a.1stdibscdn.com/archivesE/jewelry/upload/119/104/XXX_119_1278613350_1.jpg. Retrieved Apr. 27, 2016.*

(Continued)

Primary Examiner — Garth Rademaker

Assistant Examiner — Melanie Pellegrini

(74) *Attorney, Agent, or Firm* — Donald J. Ranft; Kristen A. Mogavero; Collen IP

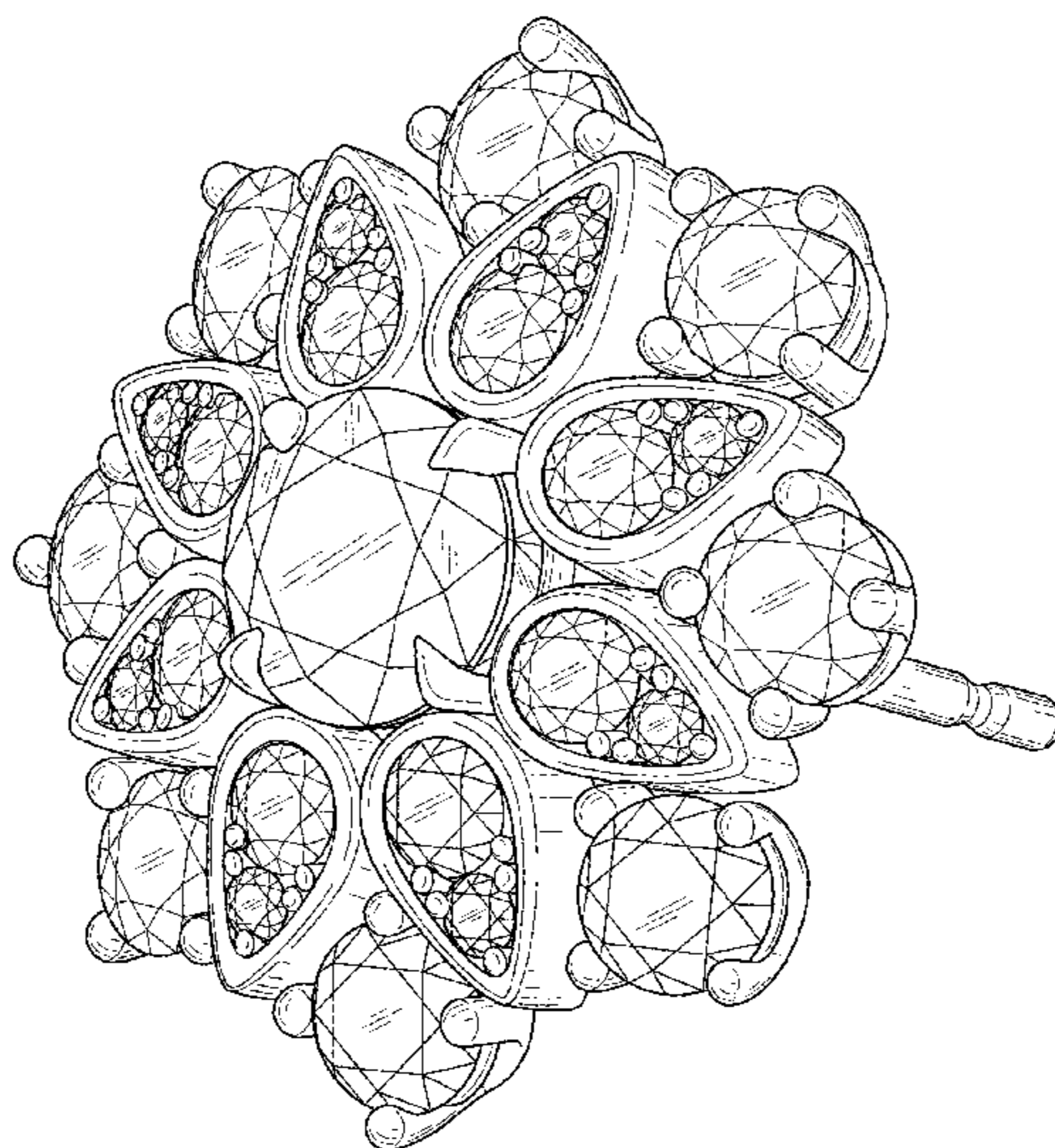
(57) **CLAIM**

The ornamental design for an earring, as shown.

DESCRIPTION

FIG. 1 is a front right perspective view of an earring showing my new design;
FIG. 2 is a rear left perspective view thereof;
FIG. 3 is a front view thereof;
FIG. 4 is a rear view thereof;
FIG. 5 is a left side view thereof;
FIG. 6 is a right side view thereof;
FIG. 7 is a top view thereof; and,
FIG. 8 is a bottom view thereof.

1 Claim, 6 Drawing Sheets



(56)

References Cited

OTHER PUBLICATIONS

[online] <http://images.betteridge.com/images/products/standard/diamond-cluster-lotus-flower-earrings.jpg>. Retrieved Apr. 27, 2016.*

[online] http://www.harrywinston.com/sites/default/files/styles/slider_collection/public/slideshow/EADPDE010LTC_362332-trans-1h.png?itok=baSgv63I. Retrieved Apr. 27, 2016.*

* cited by examiner

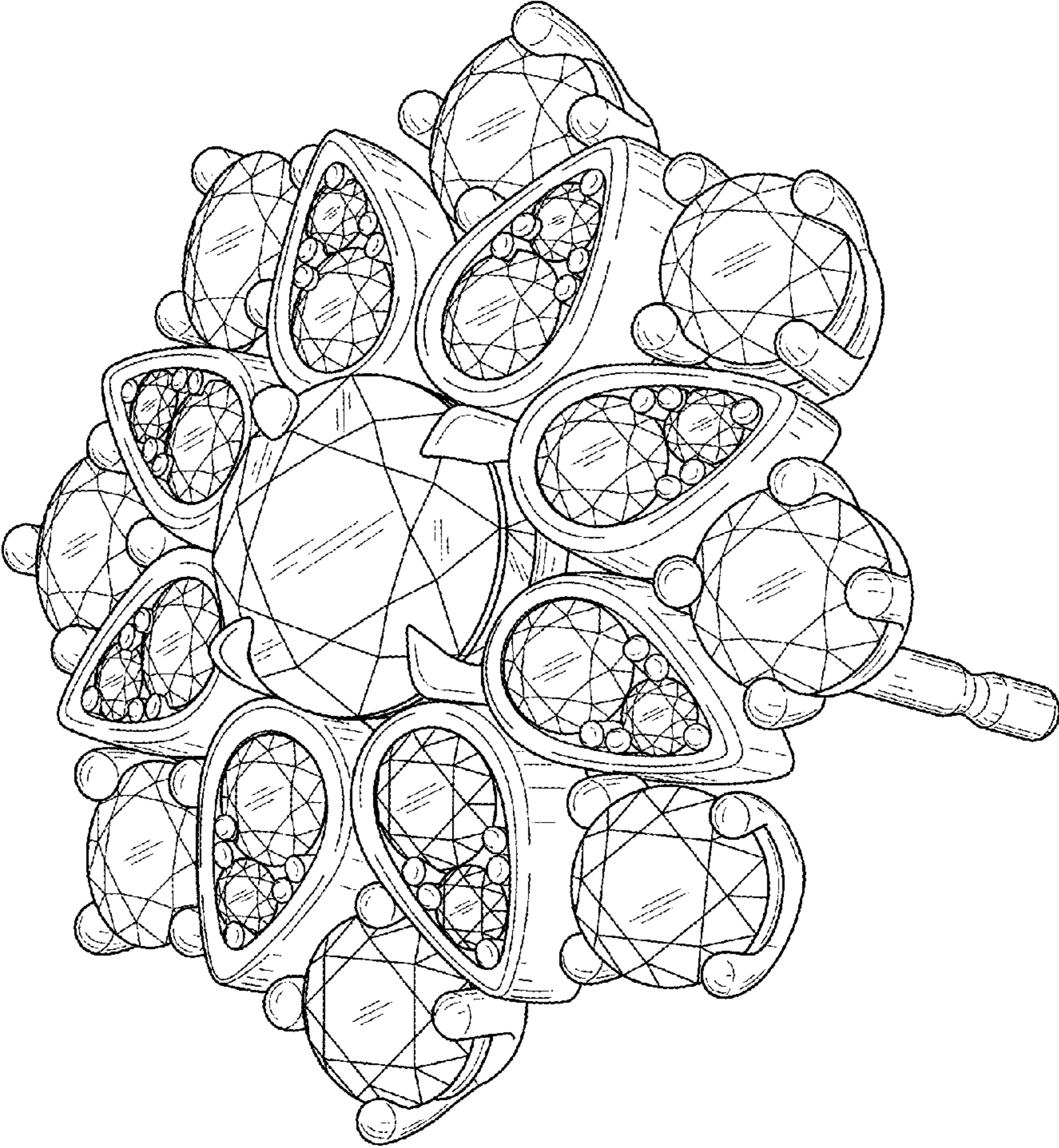


FIG. 1

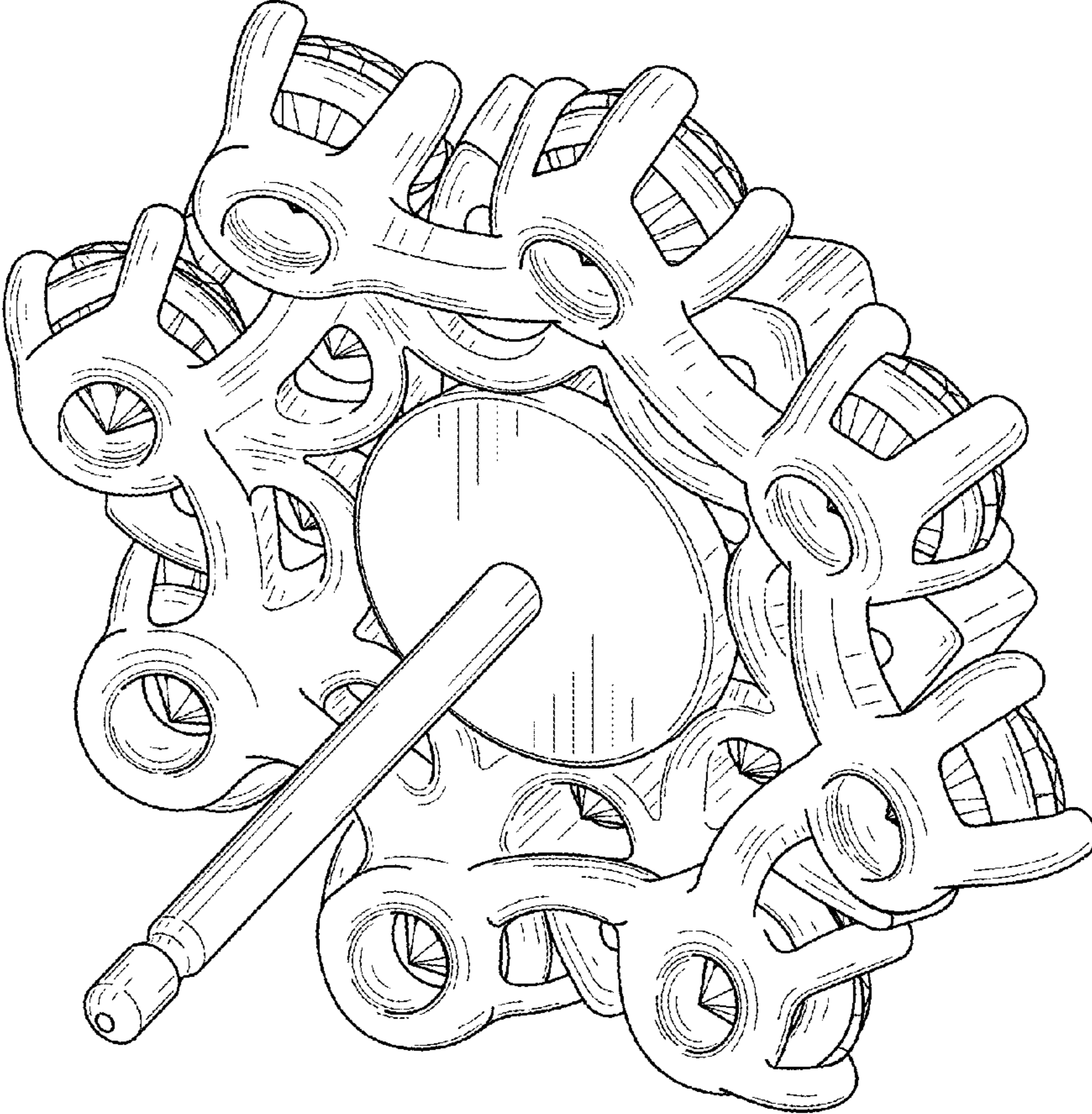


FIG. 2

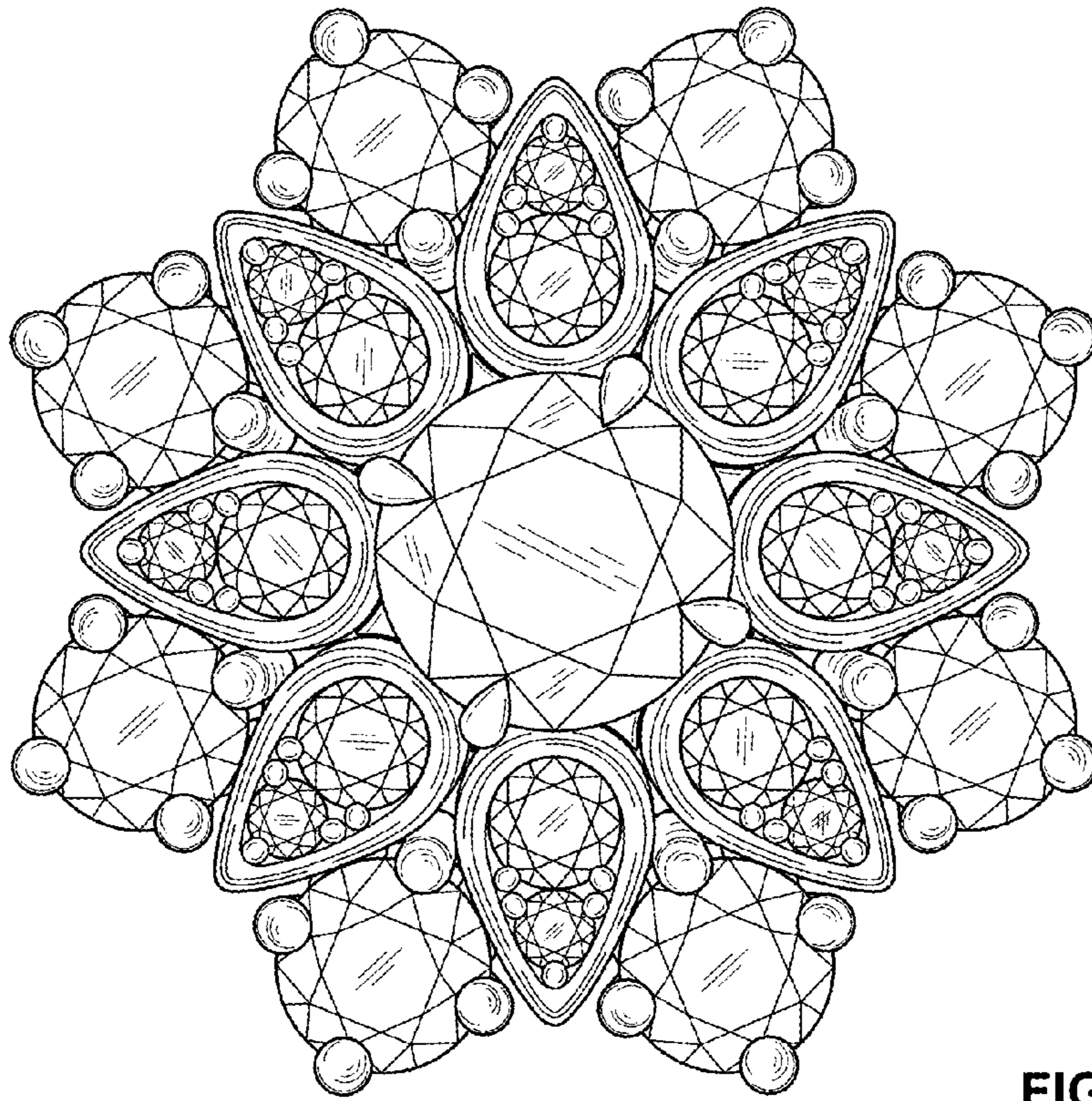


FIG. 3

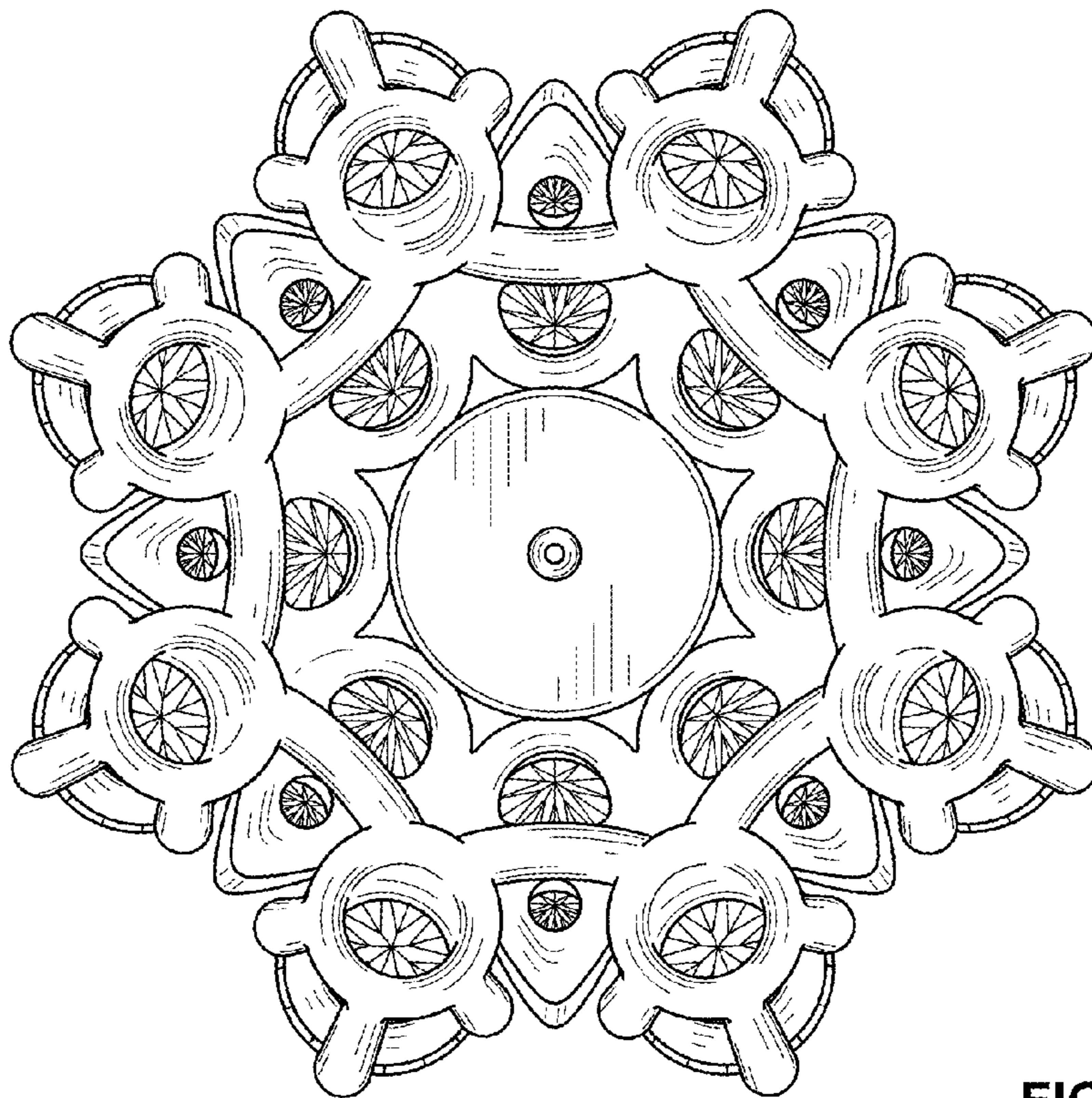


FIG. 4

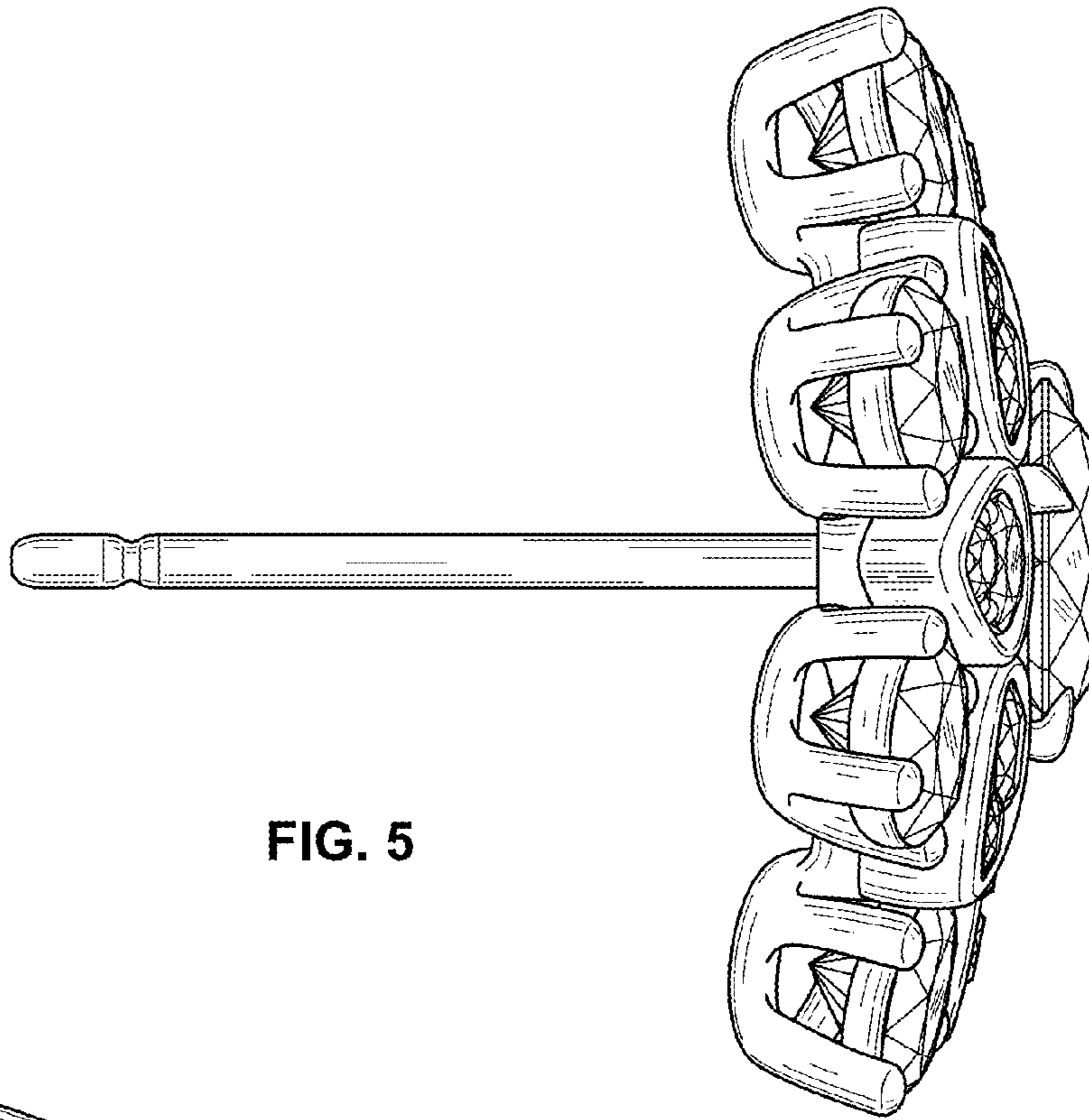


FIG. 5

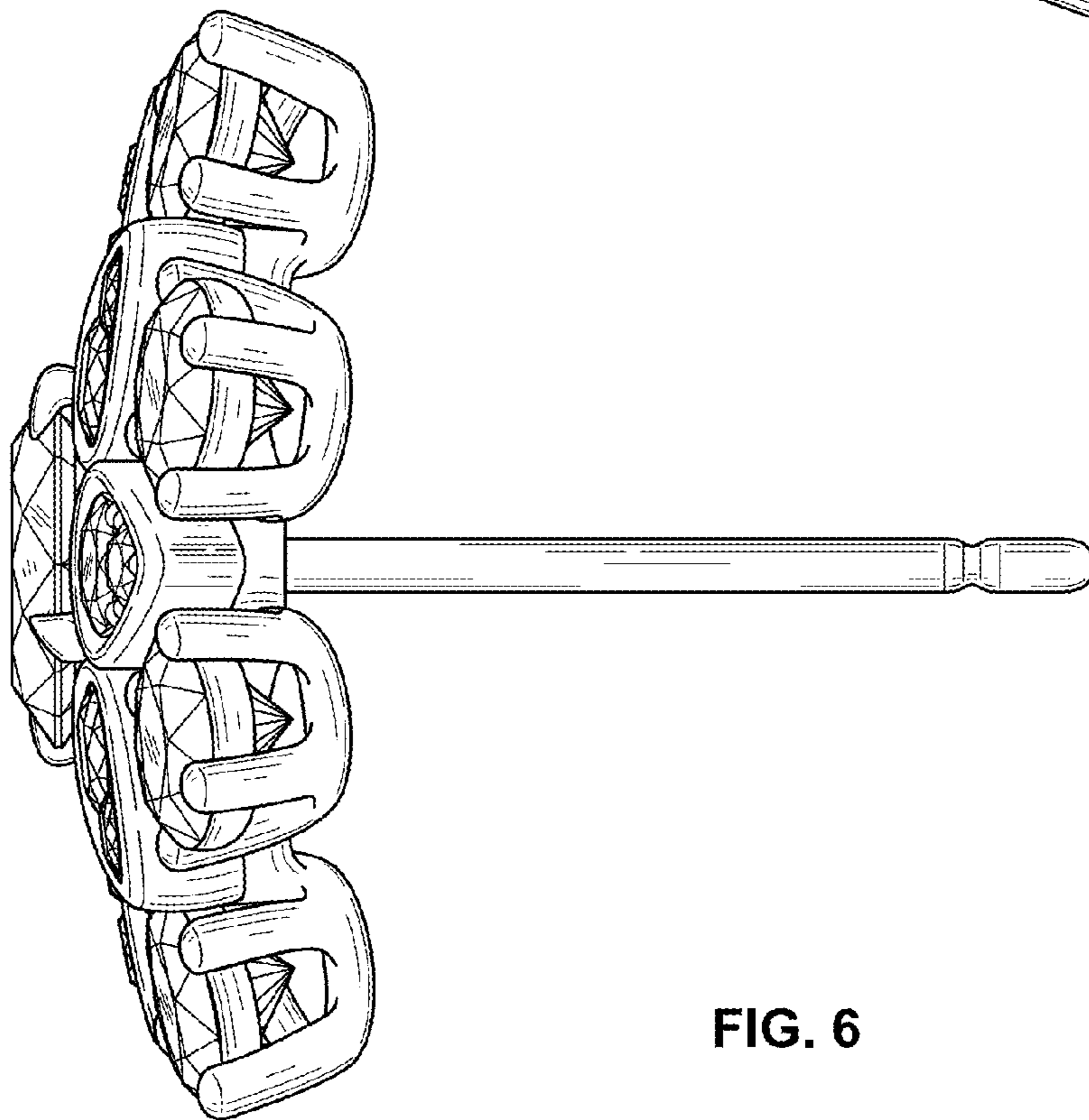


FIG. 6

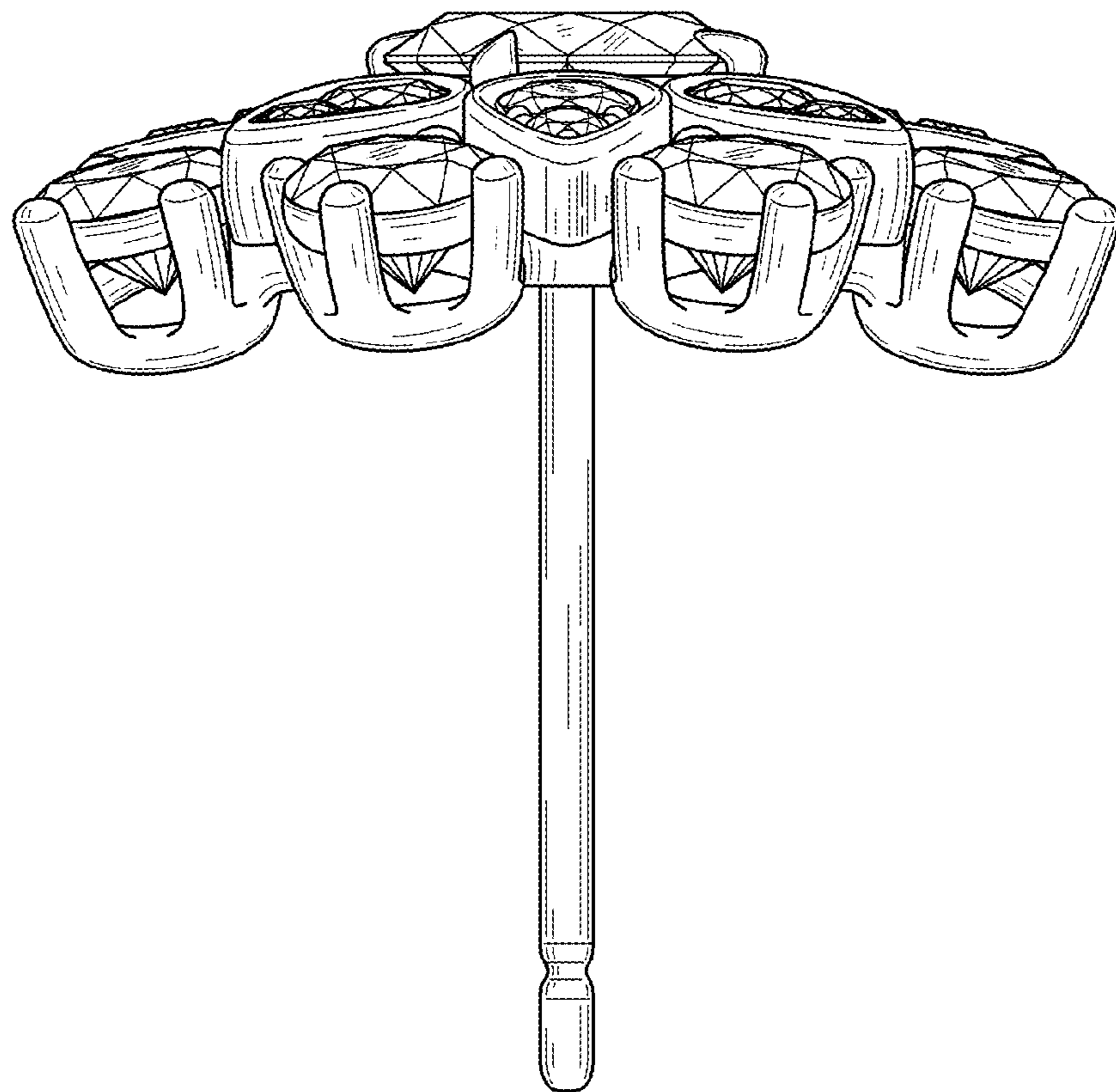


FIG. 7

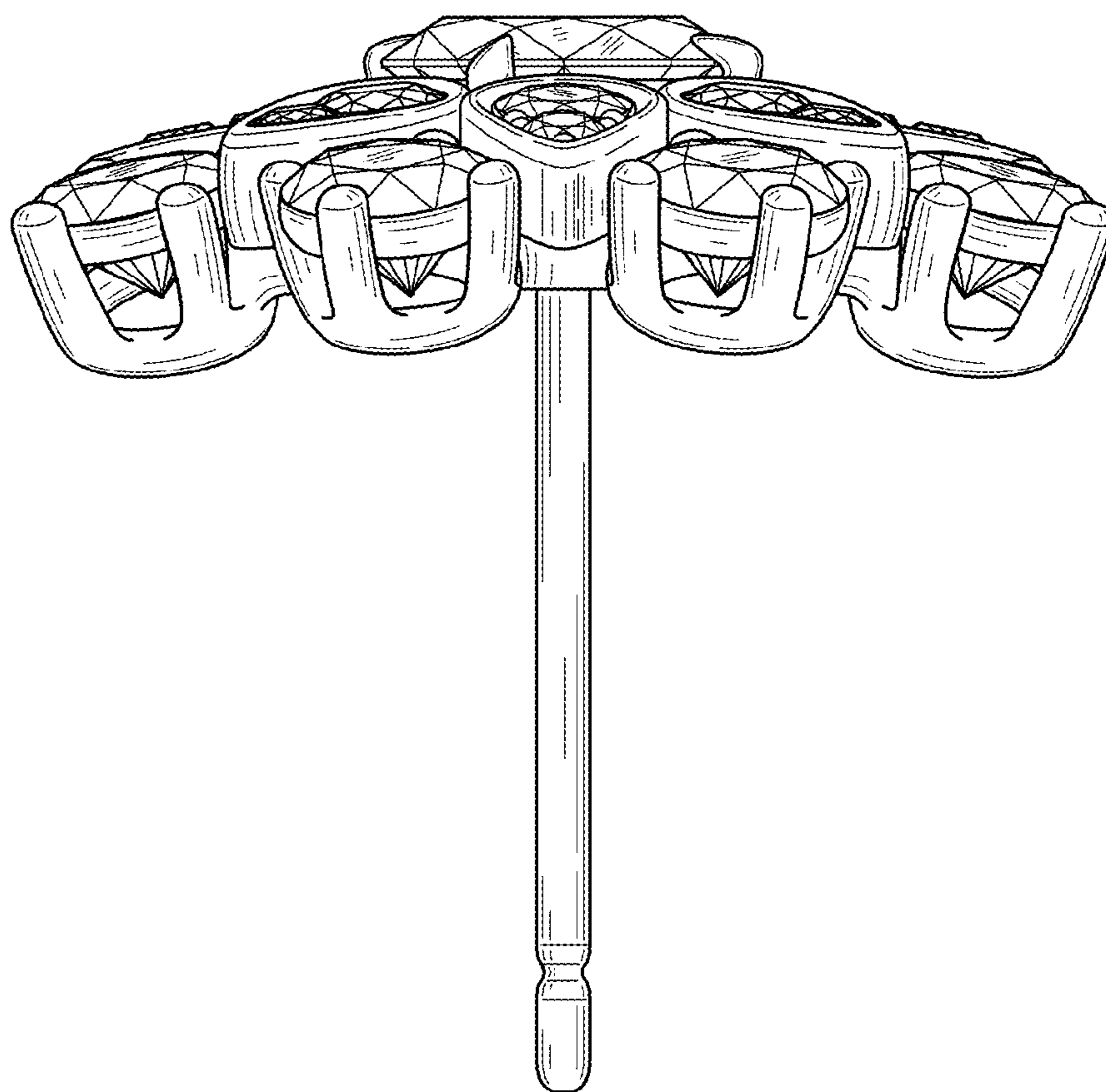


FIG. 8