



US00D763719S

(12) **United States Design Patent**
Nielsen et al.

(10) **Patent No.:** **US D763,719 S**
(45) **Date of Patent:** **** Aug. 16, 2016**

(54) **WRISTBAND FOR FITNESS MONITORING CAPSULE**

(71) Applicant: **Fitbit, Inc.**, San Francisco, CA (US)

(72) Inventors: **Jens Mitchell Nielsen**, San Francisco, CA (US); **Mark Manuel Martinez**, San Francisco, CA (US); **Maxwell W. Davis**, Oakland, CA (US); **Keqing Li**, San Jose, CA (US); **Brad Daniel Brinson**, San Francisco, CA (US); **Gad Amit**, San Mateo, CA (US); **Daniel J. Clifton**, San Francisco, CA (US); **Erik Keith Askin**, San Francisco, CA (US); **David Chia-wen Lean**, San Francisco, CA (US)

(73) Assignee: **Fitbit, Inc.**, San Francisco, CA (US)

(**) Term: **15 Years**

(21) Appl. No.: **29/541,364**

(22) Filed: **Oct. 2, 2015**

Related U.S. Application Data

(63) Continuation of application No. 29/537,616, filed on Aug. 27, 2015.

(51) **LOC (10) Cl.** **11-01**

(52) **U.S. Cl.**
USPC **D11/3**

(58) **Field of Classification Search**
USPC D10/30-39, 65, 70, 78, 97, 98; D11/3; D14/138 R, 203.5, 203.6, 341, 344, D14/347; D24/167, 168
CPC A44C 5/00-5/16; G04B 37/00-37/228; G04B 45/0069; G04B 47/04; G04B 19/00-19/34; G04B 21/12; G04B 23/12; G04B 47/00-47/068; G01C 17/00; G01C 21/00-21/3697

See application file for complete search history.

(56) **References Cited**

U.S. PATENT DOCUMENTS

8,275,327 B2 * 9/2012 Yi G04G 21/04 455/556.1
D715,666 S 10/2014 Park et al.

(Continued)

OTHER PUBLICATIONS

U.S. Appl. No. 29/497,740, filed Jul. 28, 2014, Park et al.
(Continued)

Primary Examiner — Antoine D Davis

(74) *Attorney, Agent, or Firm* — Weaver Austin Villeneuve & Sampson LLP

(57) **CLAIM**

We claim the ornamental design for a wristband for fitness monitoring capsule, as shown and described.

DESCRIPTION

FIG. 1 is a front view of a wristband for fitness monitoring capsule.

FIG. 2 is a left side view of the wristband of FIG. 1.

FIG. 3 is a rear view of the wristband of FIG. 1.

FIG. 4 is a right side view of the wristband of FIG. 1.

FIG. 5 is a bottom view of the wristband of FIG. 1.

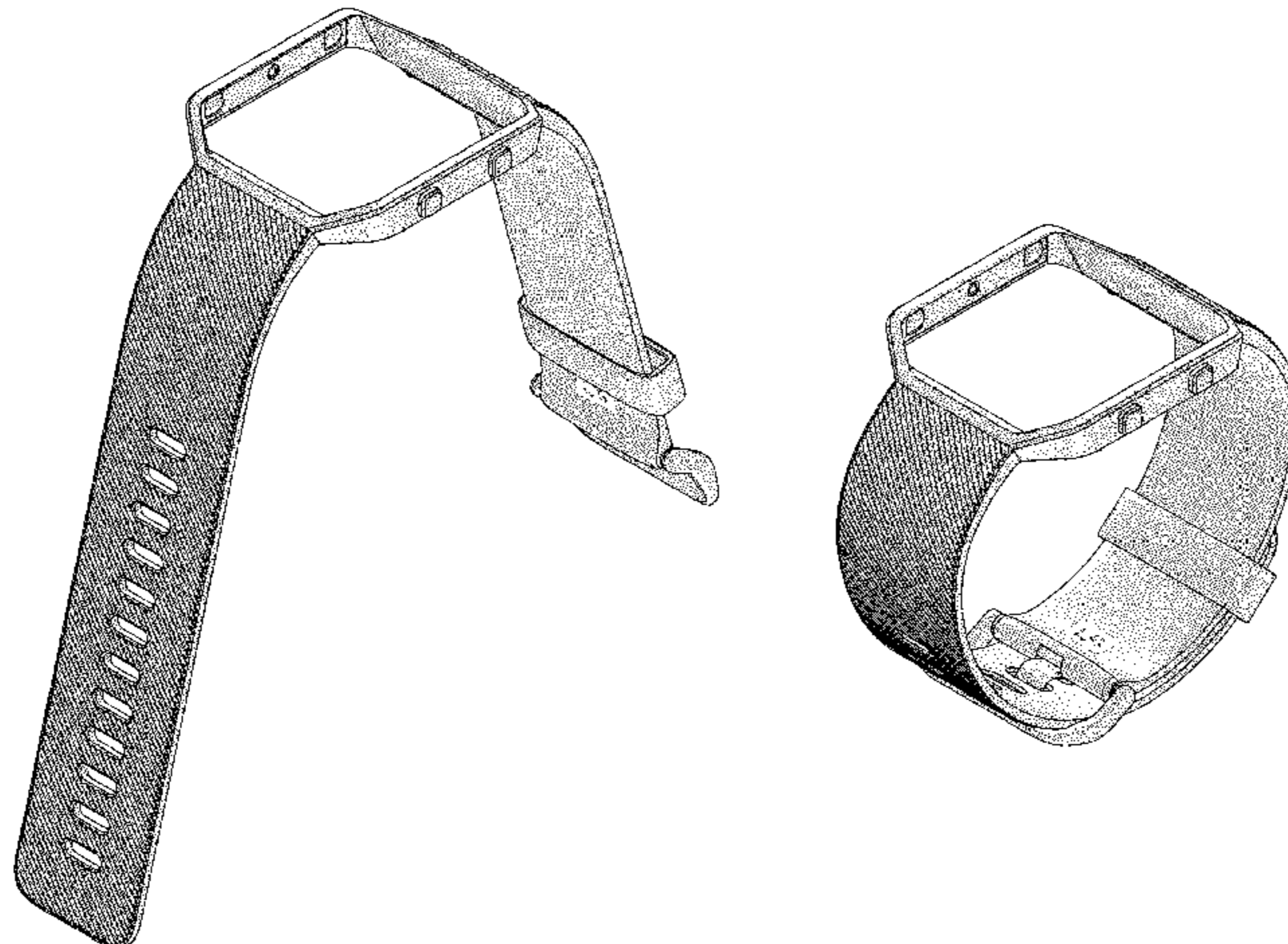
FIG. 6 is a top view of the wristband of FIG. 1.

FIG. 7 is an isometric view of the wristband of FIG. 1; and, FIG. 8 is an isometric view of the wristband of FIG. 1 with the straps of the wristband clasped together to form a loop that may be worn about a person's wrist.

FIGS. 1 through 8 are drawn to-scale within each Figure, although the scale from Figure to Figure may vary.

Stipple shading is used in the accompanying Figures to convey surface contouring, not texture. Features depicted using broken lines and a lack of shading indicate environmental structure that is unclaimed in various embodiments. For example, various logos and other text are shown in broken lines and with a lack of shading; in such cases, the unshaded regions around such logos or text are enclosed in a rectangular border that represents the boundary between a claimed portion of the depicted design and the unclaimed portion of the depicted design.

1 Claim, 4 Drawing Sheets



(56)

References Cited

U.S. PATENT DOCUMENTS

D720,249 S 12/2014 Park et al.
D720,635 S 1/2015 Park et al.
8,942,070 B1 * 1/2015 Shah G04G 9/0082
368/223
D727,183 S 4/2015 Park et al.
D727,759 S * 4/2015 Martinez D10/70
D730,210 S * 5/2015 Song D10/103
D731,482 S * 6/2015 Song D14/344
D732,022 S * 6/2015 Song D14/344
9,064,391 B2 * 6/2015 Vardi G08B 13/1463
D733,706 S * 7/2015 Song D10/32
D735,191 S * 7/2015 Song D10/38
D738,236 S * 9/2015 Song D10/30

D738,237 S * 9/2015 Song D10/30
D738,372 S * 9/2015 Song D10/32
D743,820 S * 11/2015 Song D10/30
D746,702 S * 1/2016 Galli D10/30
D747,313 S * 1/2016 Song D14/344

OTHER PUBLICATIONS

U.S. Appl. No. 29/500,837, filed Aug. 28, 2014, Martinez et al.
U.S. Appl. No. 29/520,607, filed Mar. 16, 2015, Ling et al.
U.S. Appl. No. 29/521,264, filed Mar. 20, 2015, Ling et al.
U.S. Appl. No. 29/524,019, filed Apr. 15, 2015, Ling et al.
U.S. Appl. No. 29/524,025, filed Apr. 15, 2015, Ling et al.
U.S. Appl. No. 29/524,027, filed Apr. 15, 2015, Ling et al.
U.S. Appl. No. 29/524,028, filed Apr. 15, 2015, Ling et al.

* cited by examiner

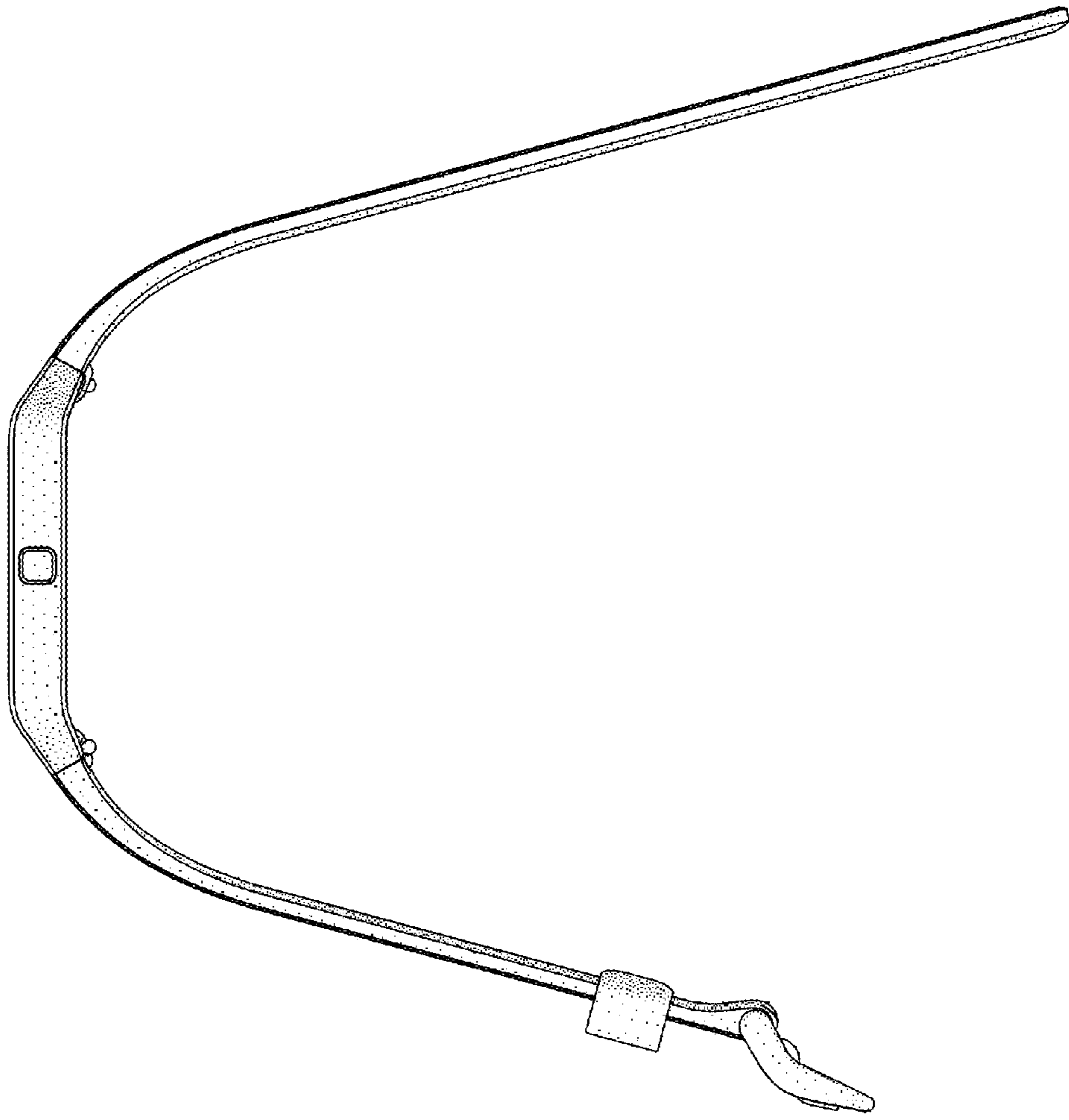


Figure 2

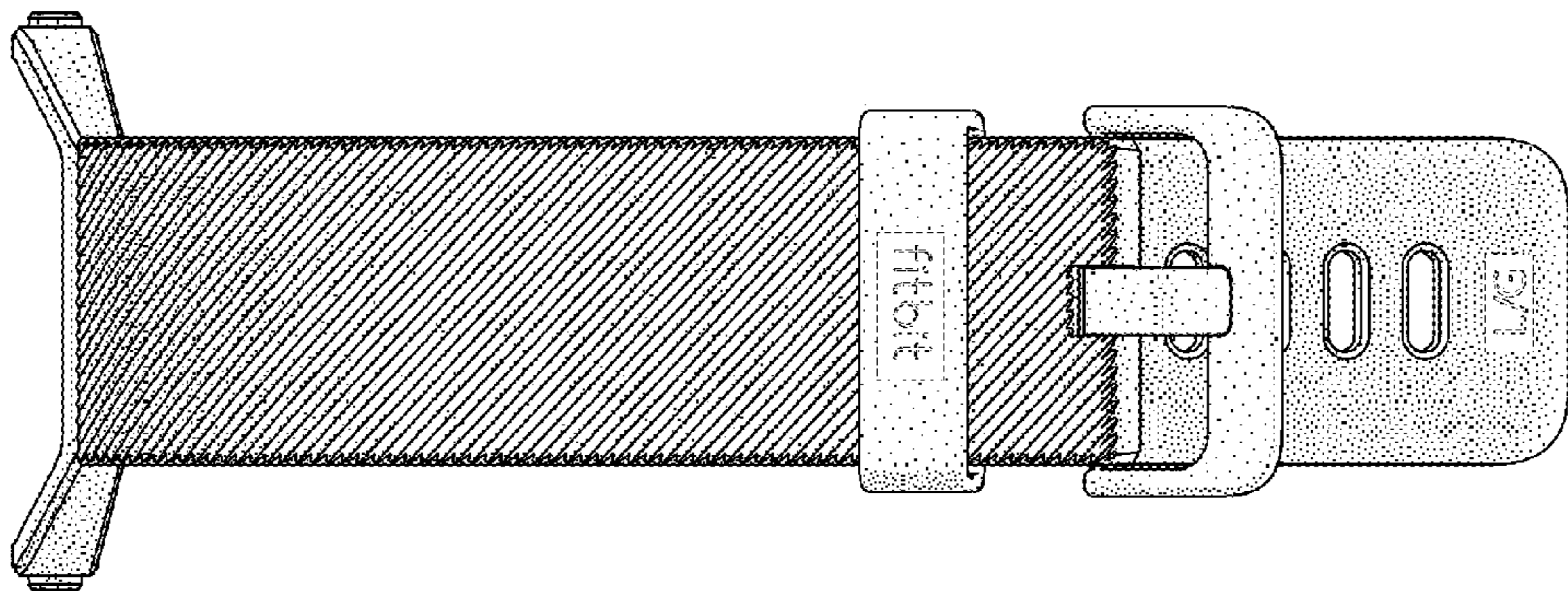


Figure 1

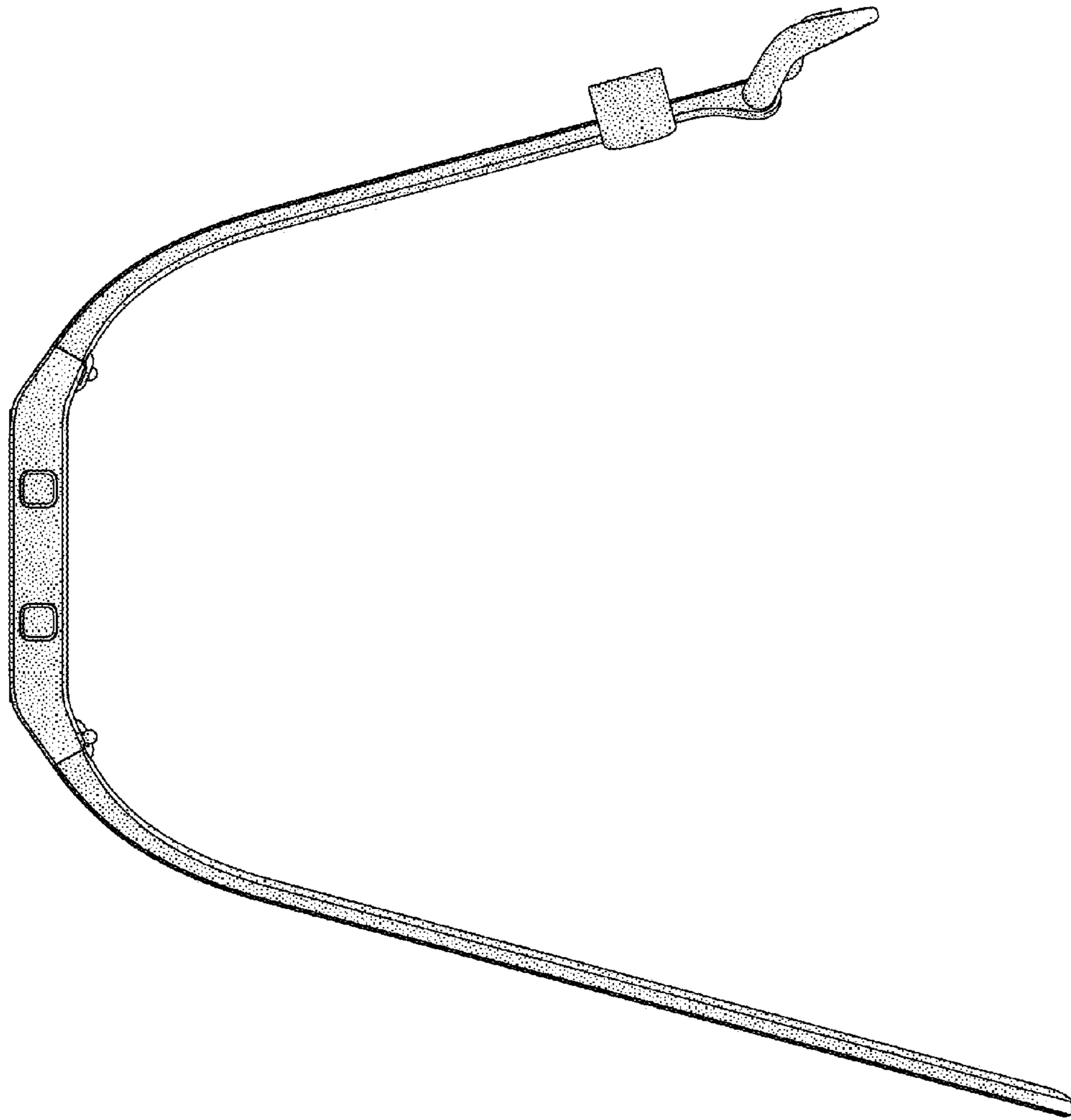


Figure 4

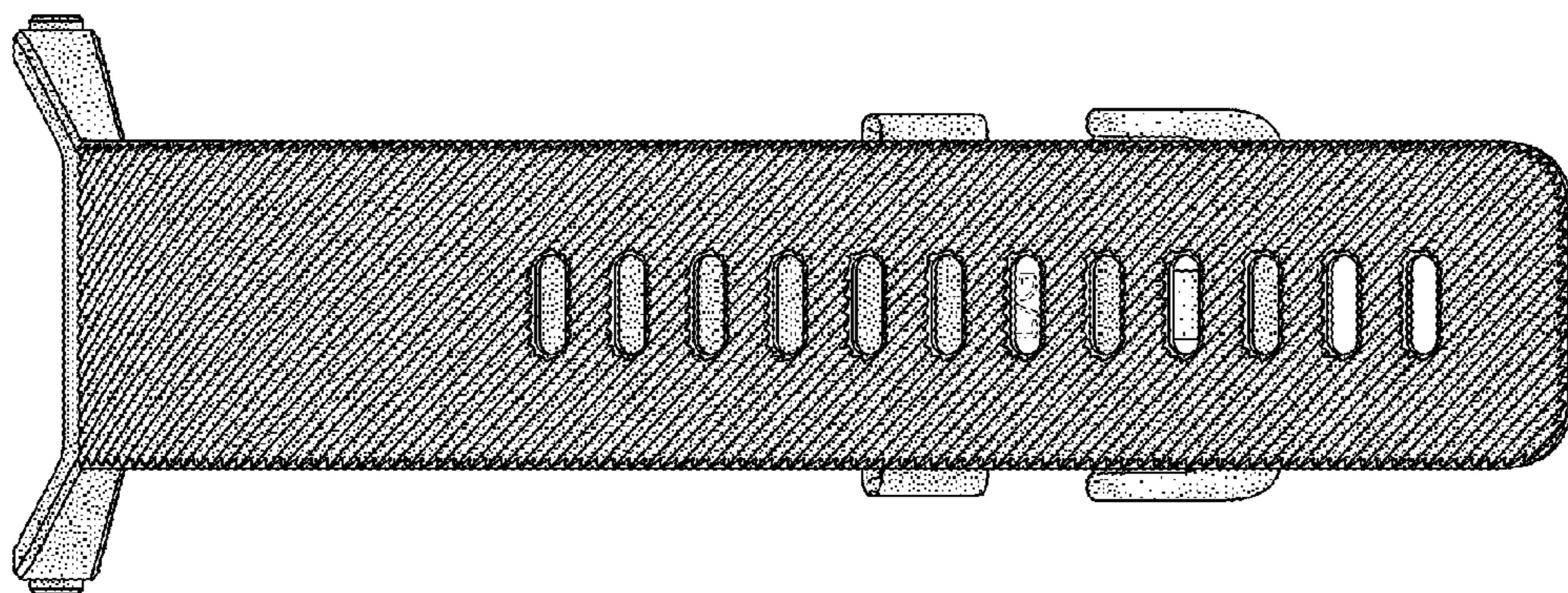


Figure 3

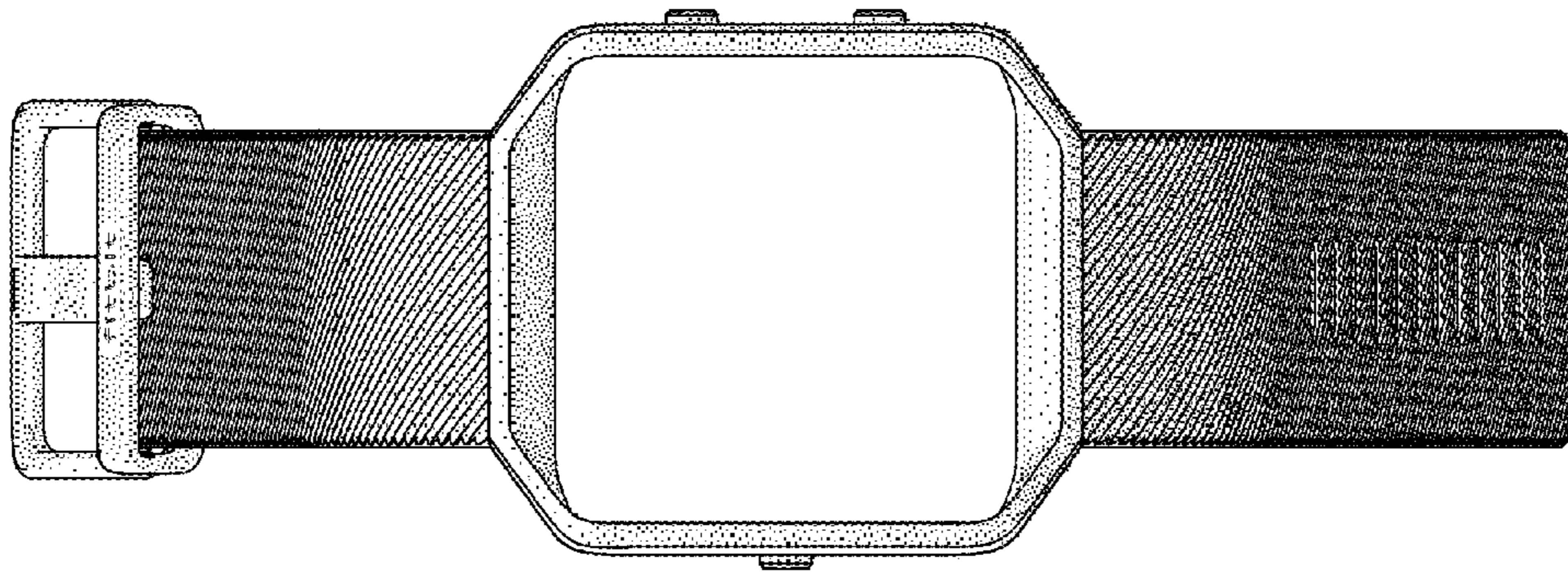


Figure 6

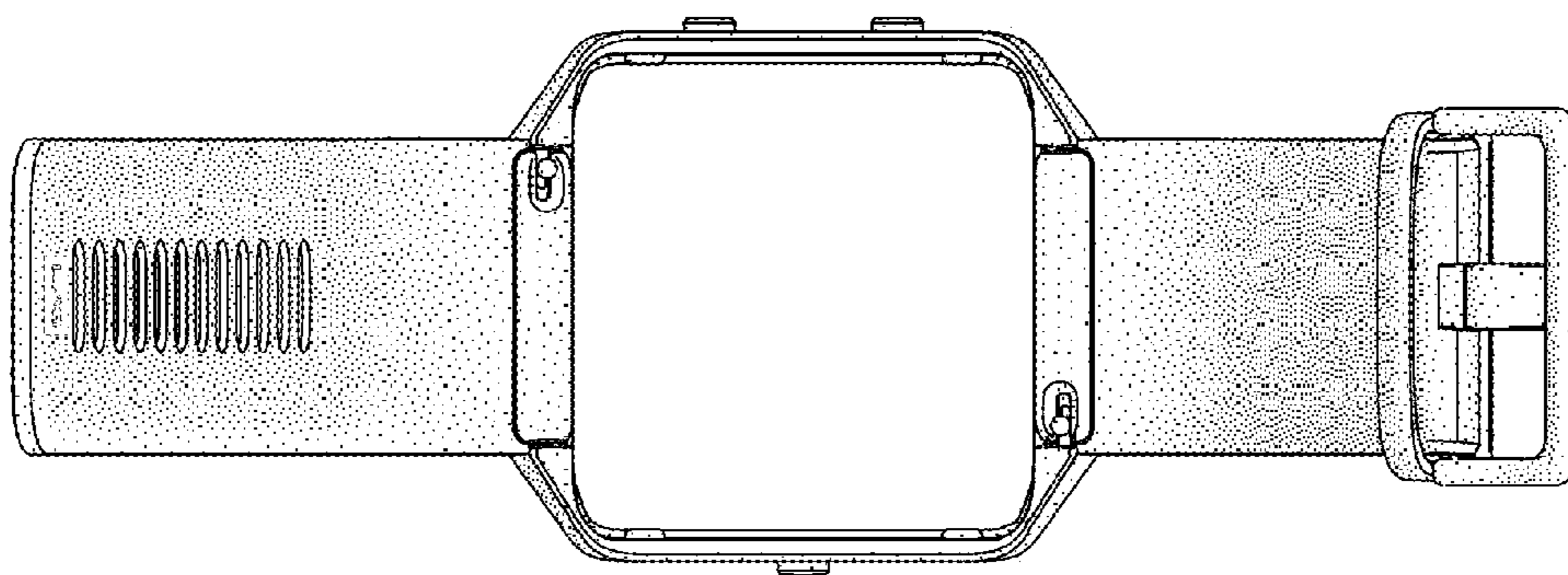


Figure 5

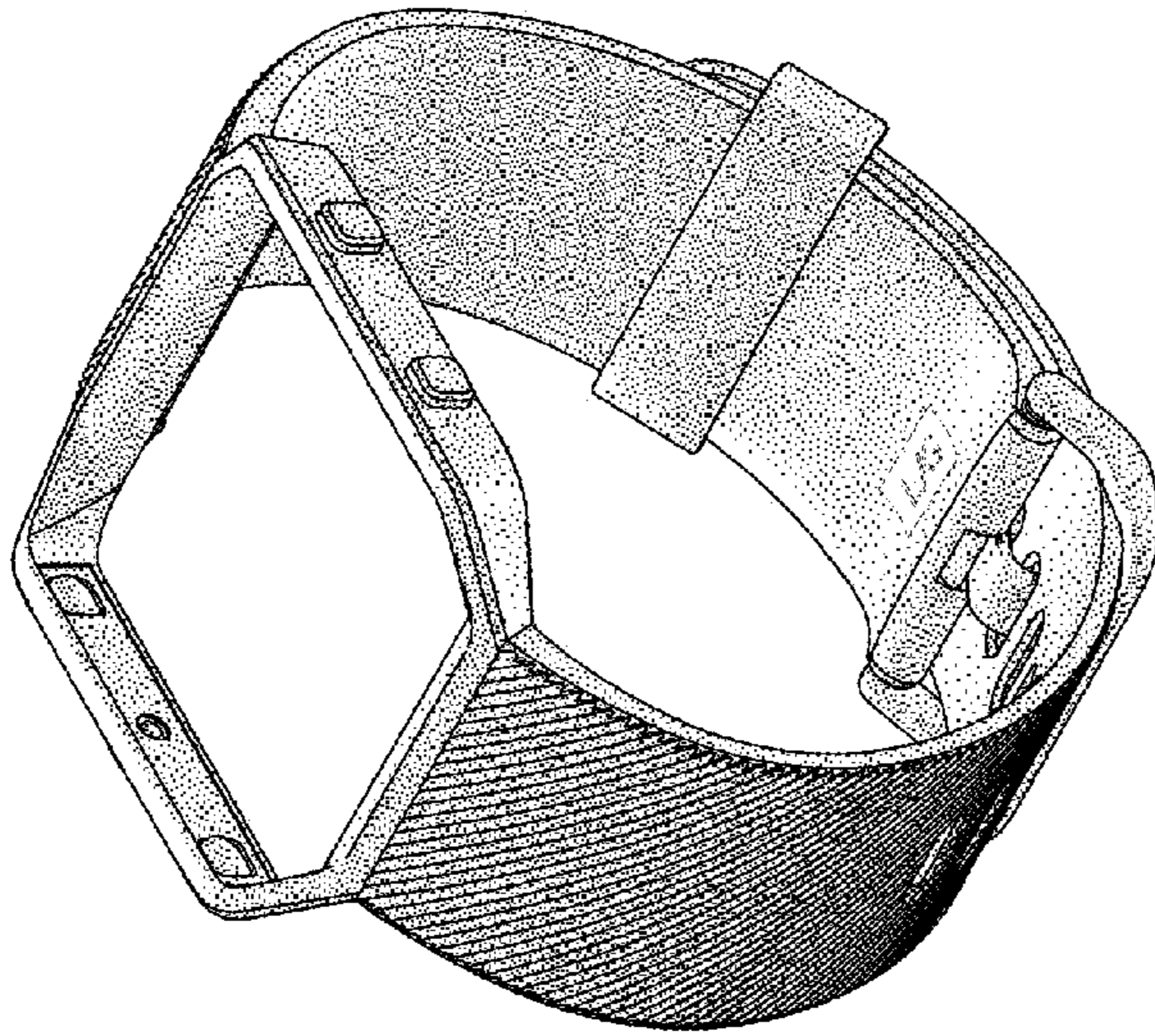


Figure 8

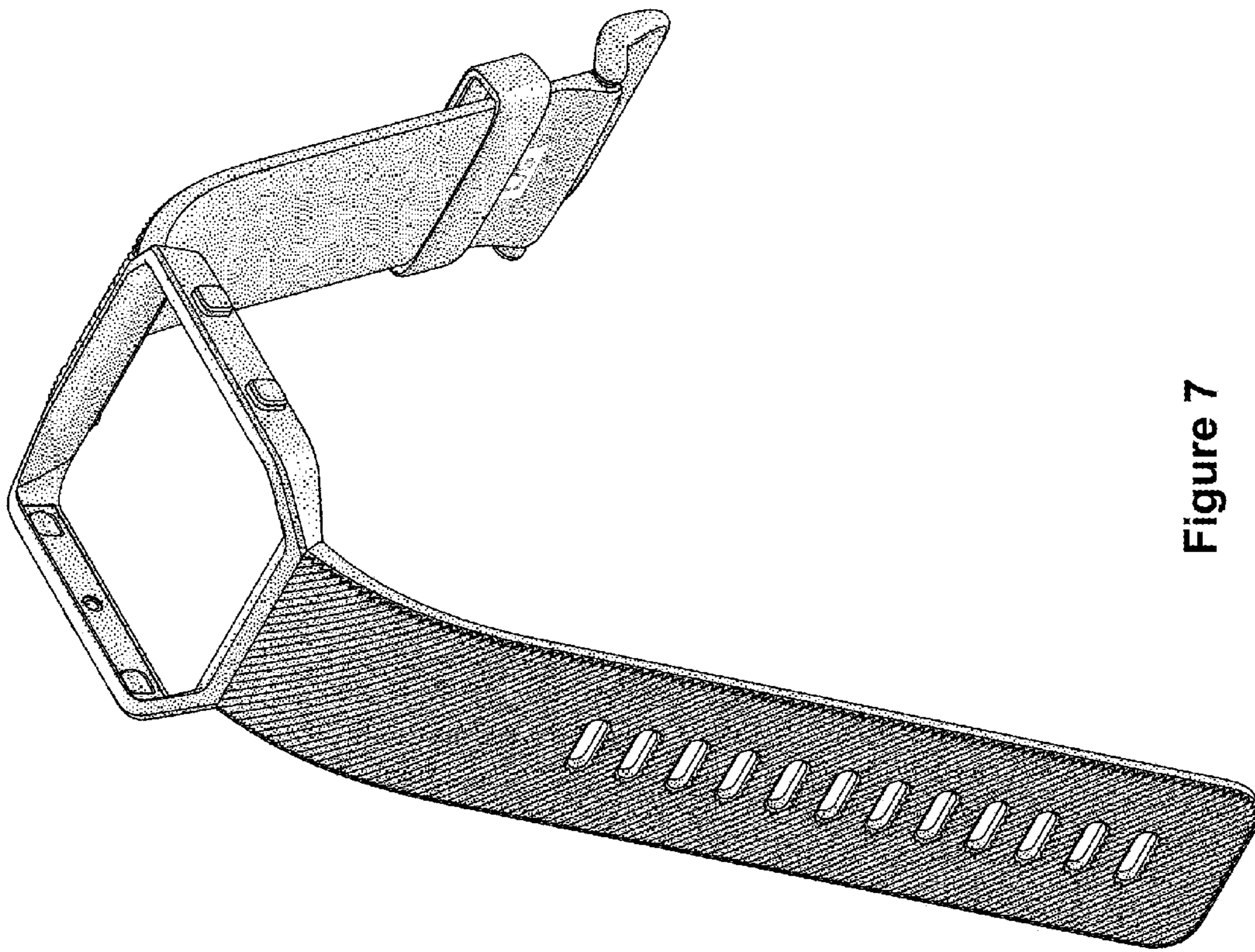


Figure 7