



US00D763718S

(12) **United States Design Patent**  
**Gad**

(10) **Patent No.:** **US D763,718 S**  
(45) **Date of Patent:** **\*\* Aug. 16, 2016**

- (54) **WATCH BEZEL**
- (71) Applicant: **Albert Gad**, New York, NY (US)
- (72) Inventor: **Albert Gad**, New York, NY (US)
- (\*\*) Term: **14 Years**
- (21) Appl. No.: **29/511,087**
- (22) Filed: **Dec. 5, 2014**

**Related U.S. Application Data**

- (63) Continuation-in-part of application No. 29/390,242, filed on Apr. 21, 2011, now abandoned.
- (51) **LOC (10) Cl.** ..... **10-07**
- (52) **U.S. Cl.**  
USPC ..... **D10/128**
- (58) **Field of Classification Search**  
USPC ..... D10/1-29, 30-39, 122-132; 248/114;  
224/165; 368/10, 80, 223, 228, 232,  
368/276, 281, 282, 288-290, 295, 308,  
368/319; 73/714  
CPC ..... G04B 19/06; G04B 19/10; G04B 19/12;  
G04B 19/08; G04B 19/103; G04B 19/106;  
G04B 47/042  
See application file for complete search history.

(56) **References Cited**

**U.S. PATENT DOCUMENTS**

- D356,971 S \* 4/1995 Newman ..... D10/122
- D399,447 S \* 10/1998 Pandel ..... D10/128
- D743,291 S \* 11/2015 Gad ..... D10/128
- D744,367 S \* 12/2015 Lalo ..... D10/128

- 2015/0101412 A1\* 4/2015 Poli ..... G04G 21/02  
73/714
- 2015/0205263 A1\* 7/2015 Momose ..... G04B 19/06  
368/232
- 2015/0227113 A1\* 8/2015 Cattaneo ..... G04B 19/283  
368/295
- 2016/0007700 A1\* 1/2016 Vaucher ..... A44C 17/02  
368/10

**FOREIGN PATENT DOCUMENTS**

- CH 534910 A \* 11/1972 ..... G04B 19/103
- \* cited by examiner

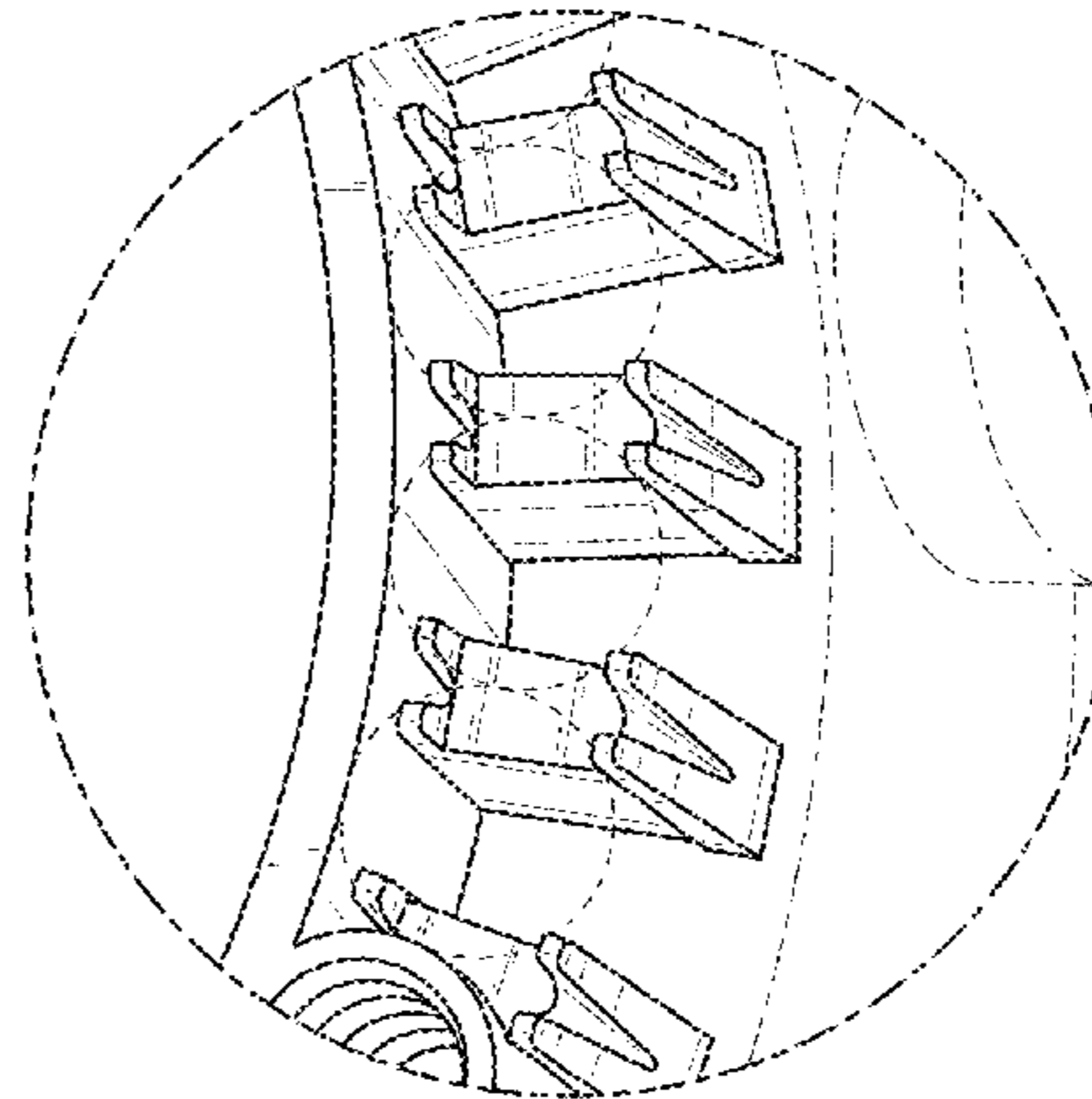
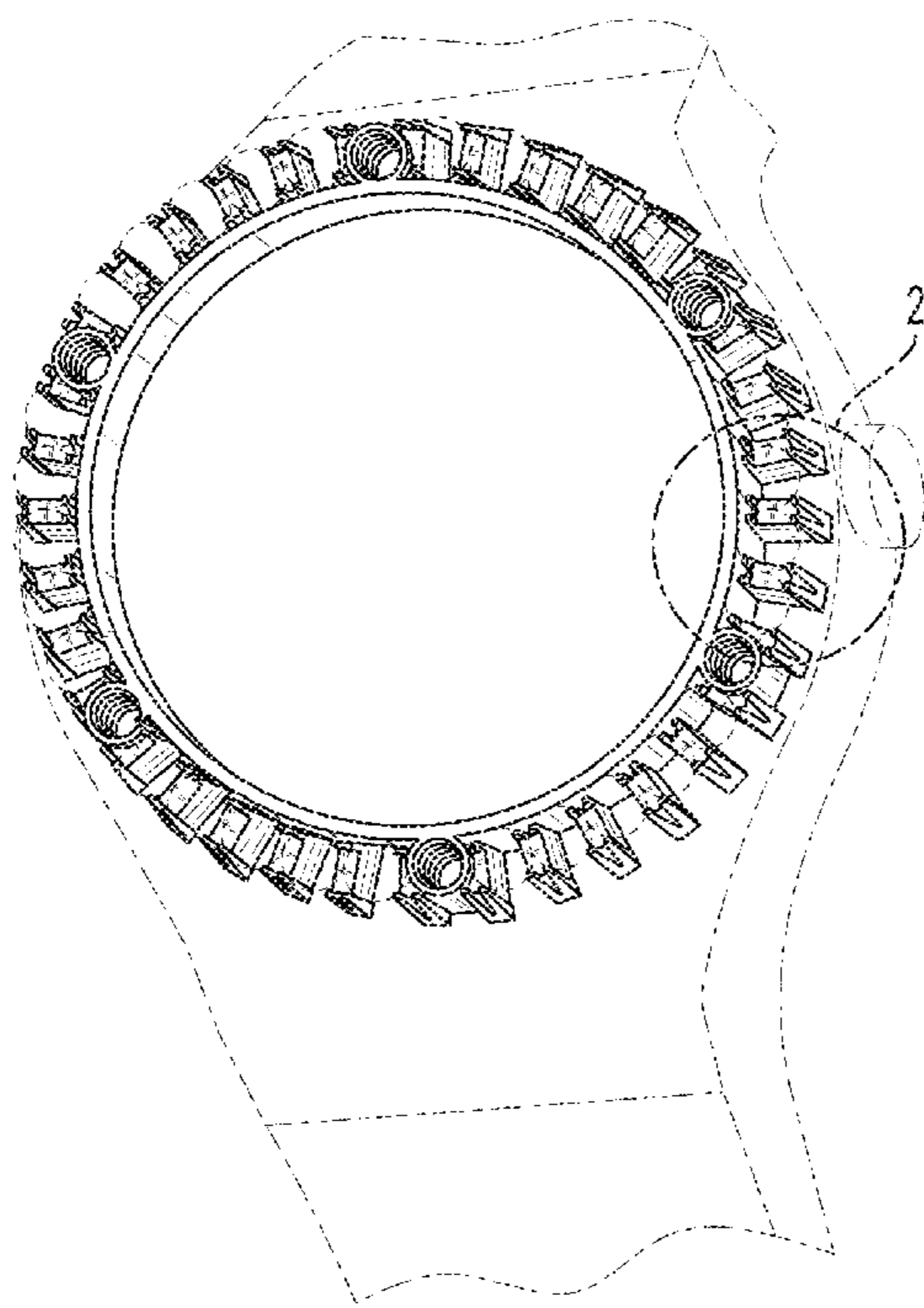
*Primary Examiner* — Manpreet Matharu  
*Assistant Examiner* — Keith Wilson  
 (74) *Attorney, Agent, or Firm* — TaeSoo S. Kim; Nixon Peabody LLP

(57) **CLAIM**  
 I claim the ornamental design for a watch bezel, as shown and described.

**DESCRIPTION**

FIG. 1 is a top, front and side perspective view of the watch bezel;  
 FIG. 2 is an enlarged detail view of the portion of the watch bezel within the detail circle of FIG. 1;  
 FIG. 3 is a partial right side elevation view of the watch bezel;  
 FIG. 4 is a top plan view of the watch bezel;  
 FIG. 5 is an enlarged view of the portion of the watch bezel within the detail circle of FIG. 4; and,  
 FIG. 6 is a bottom plan view of the watch bezel.  
 The subject matter shown in dashed lines, and any surfaces of the design not shown, form no part of the claimed invention.

**1 Claim, 6 Drawing Sheets**



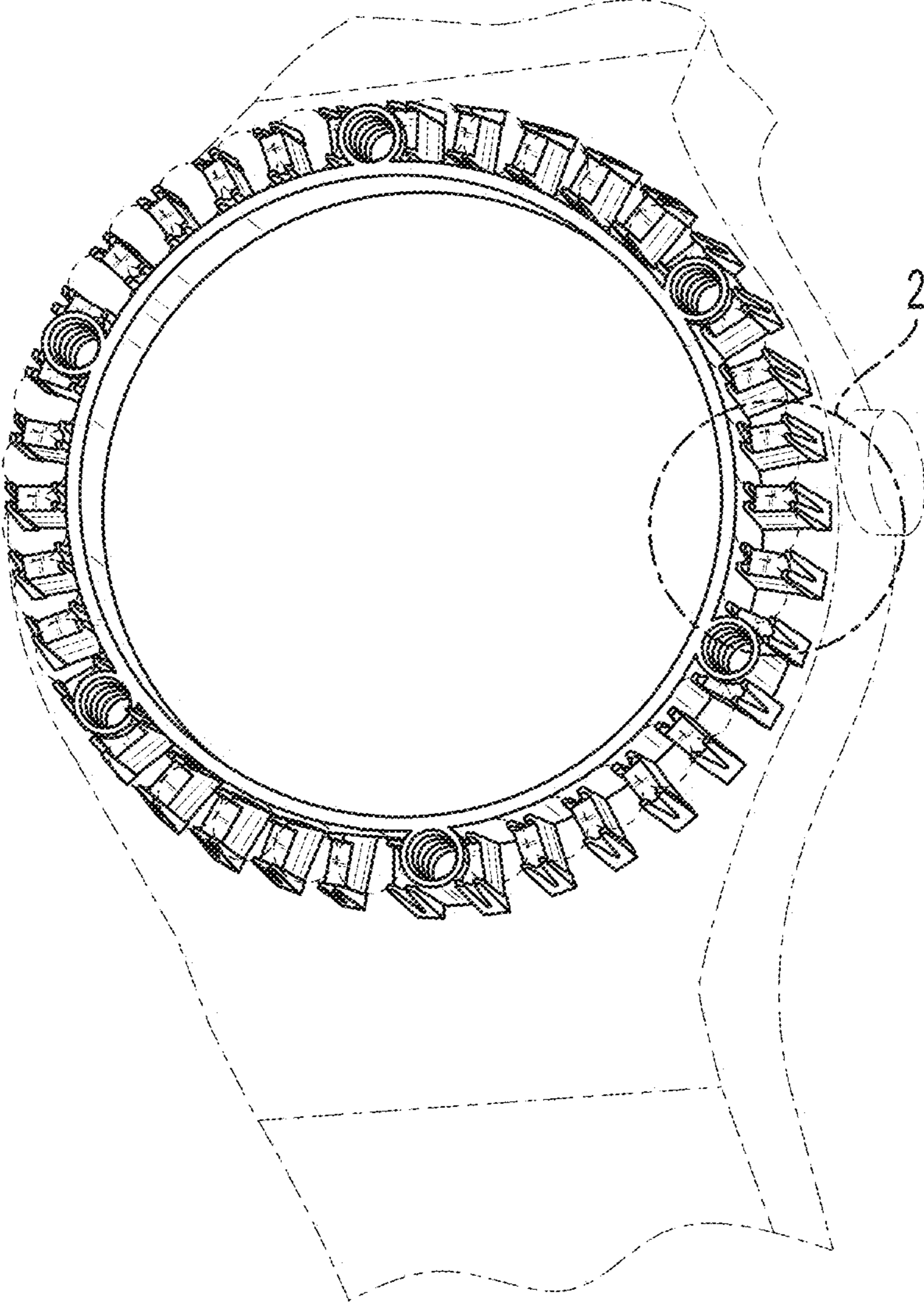


FIG. 1

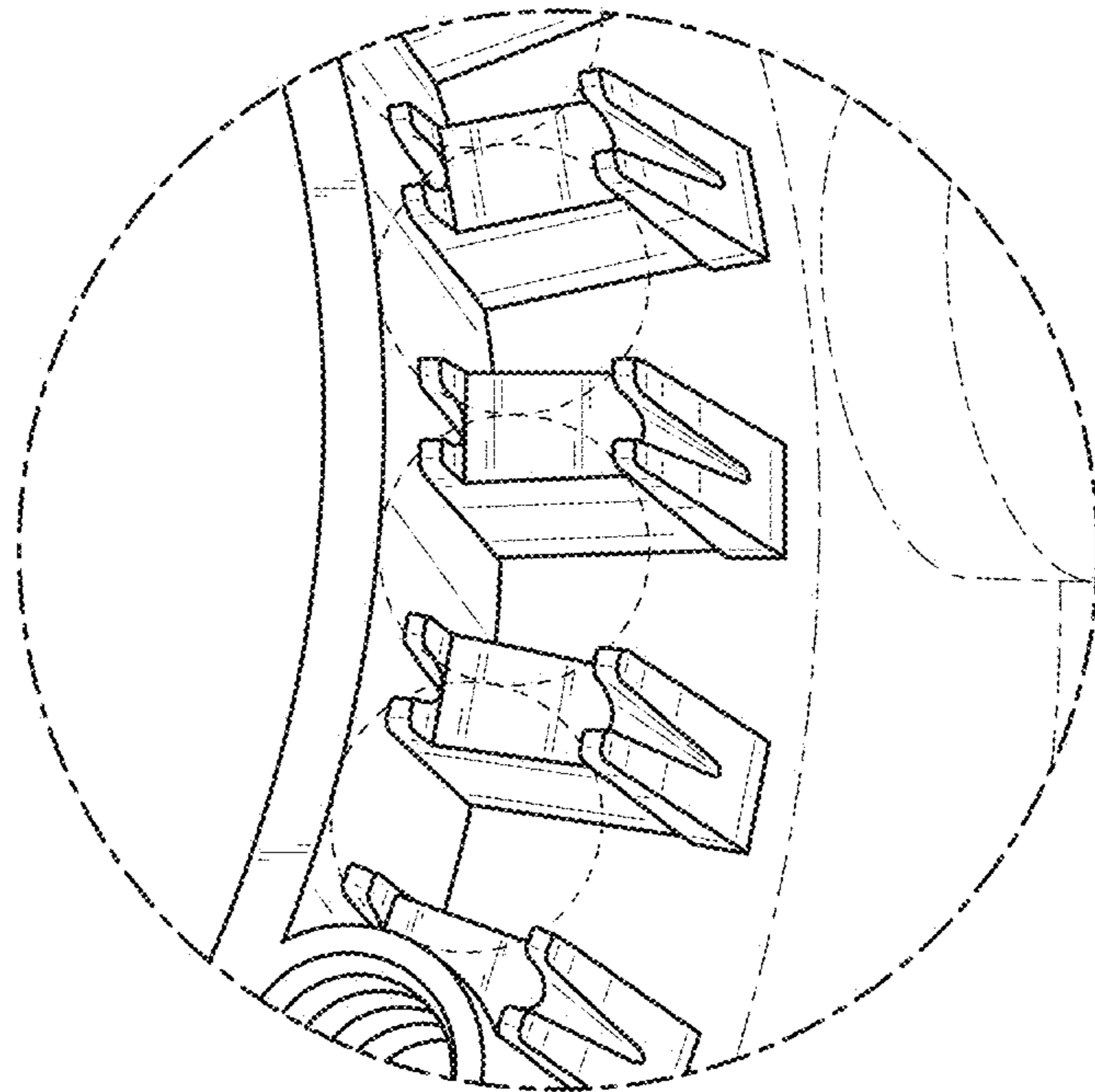


FIG. 2

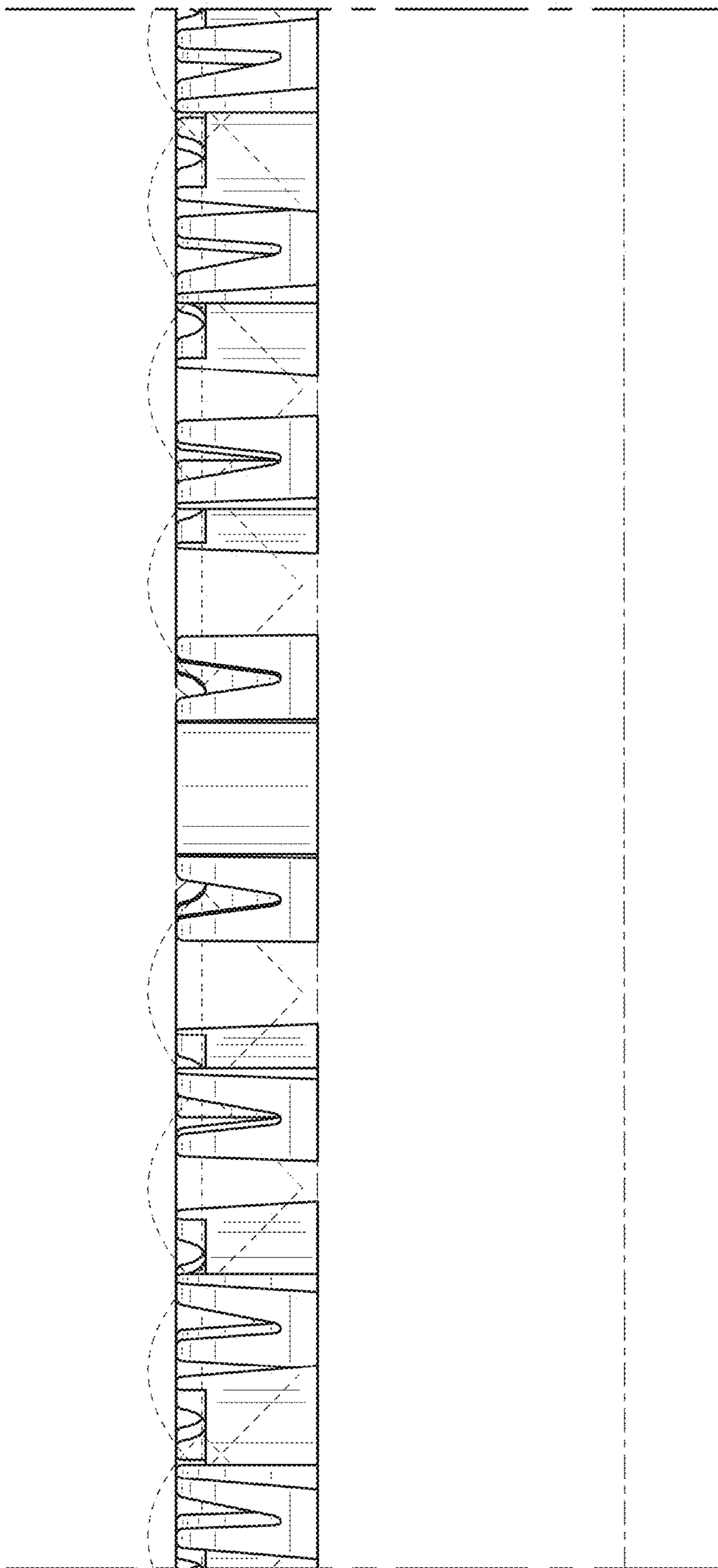


FIG. 3

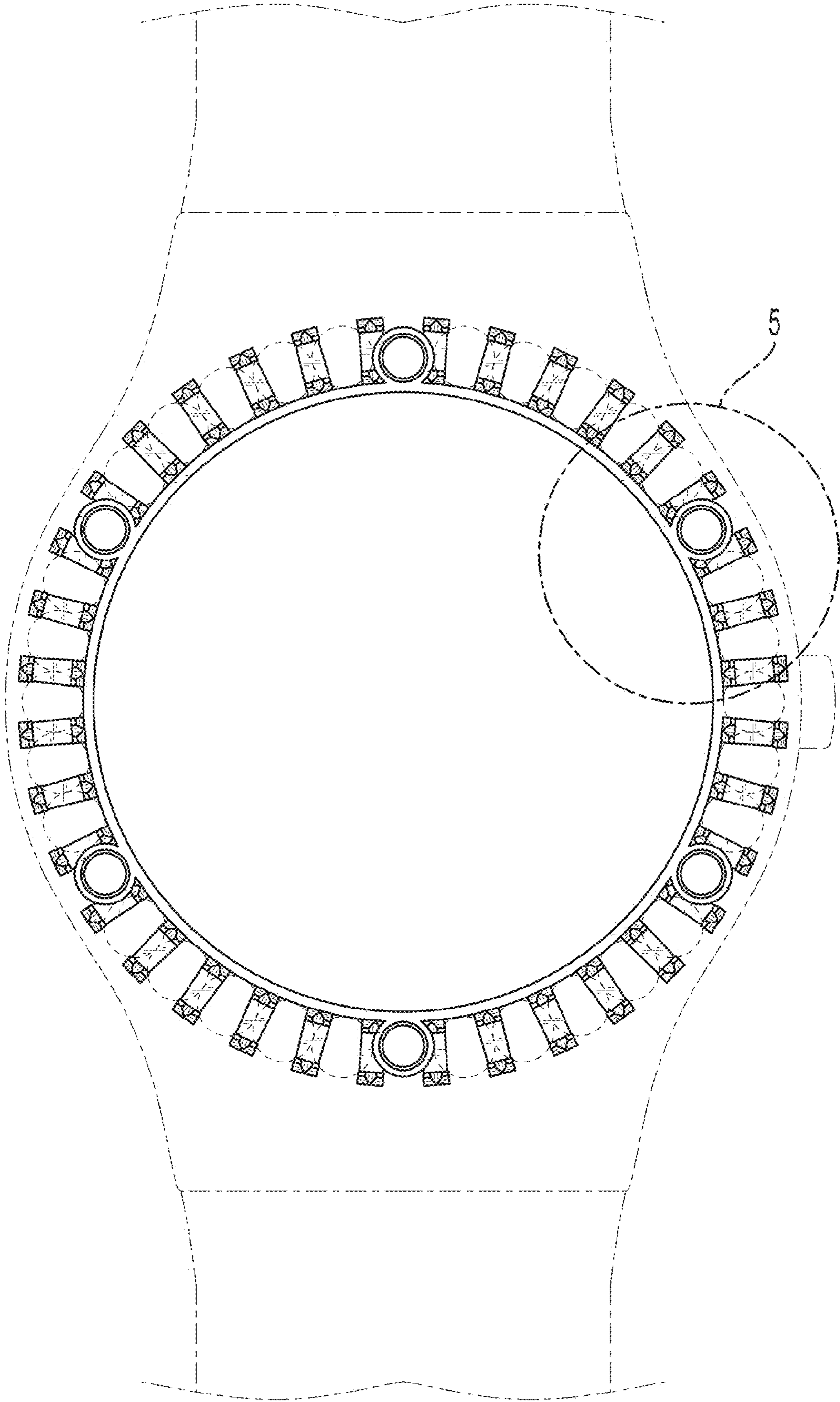


FIG. 4

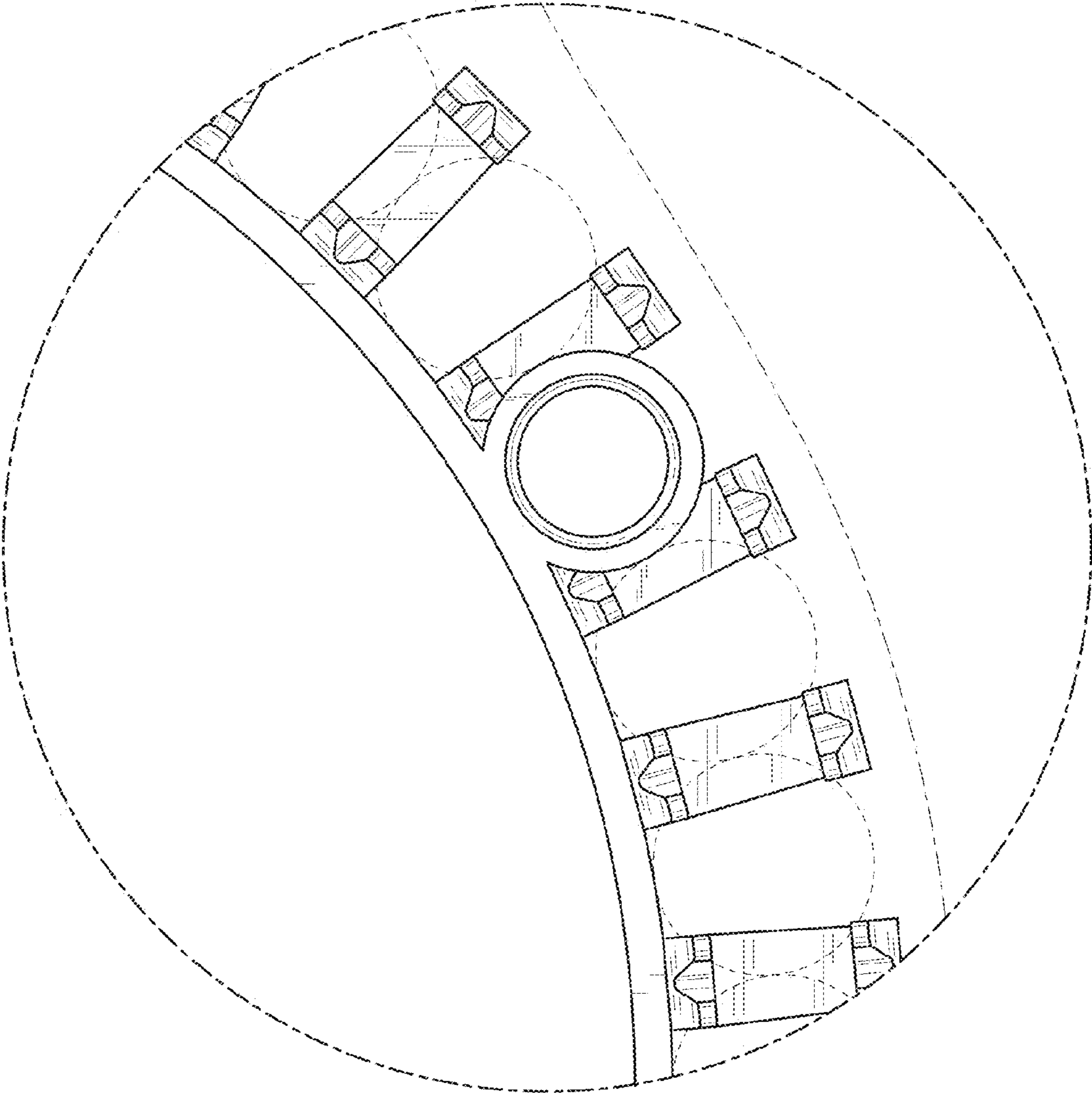


FIG. 5

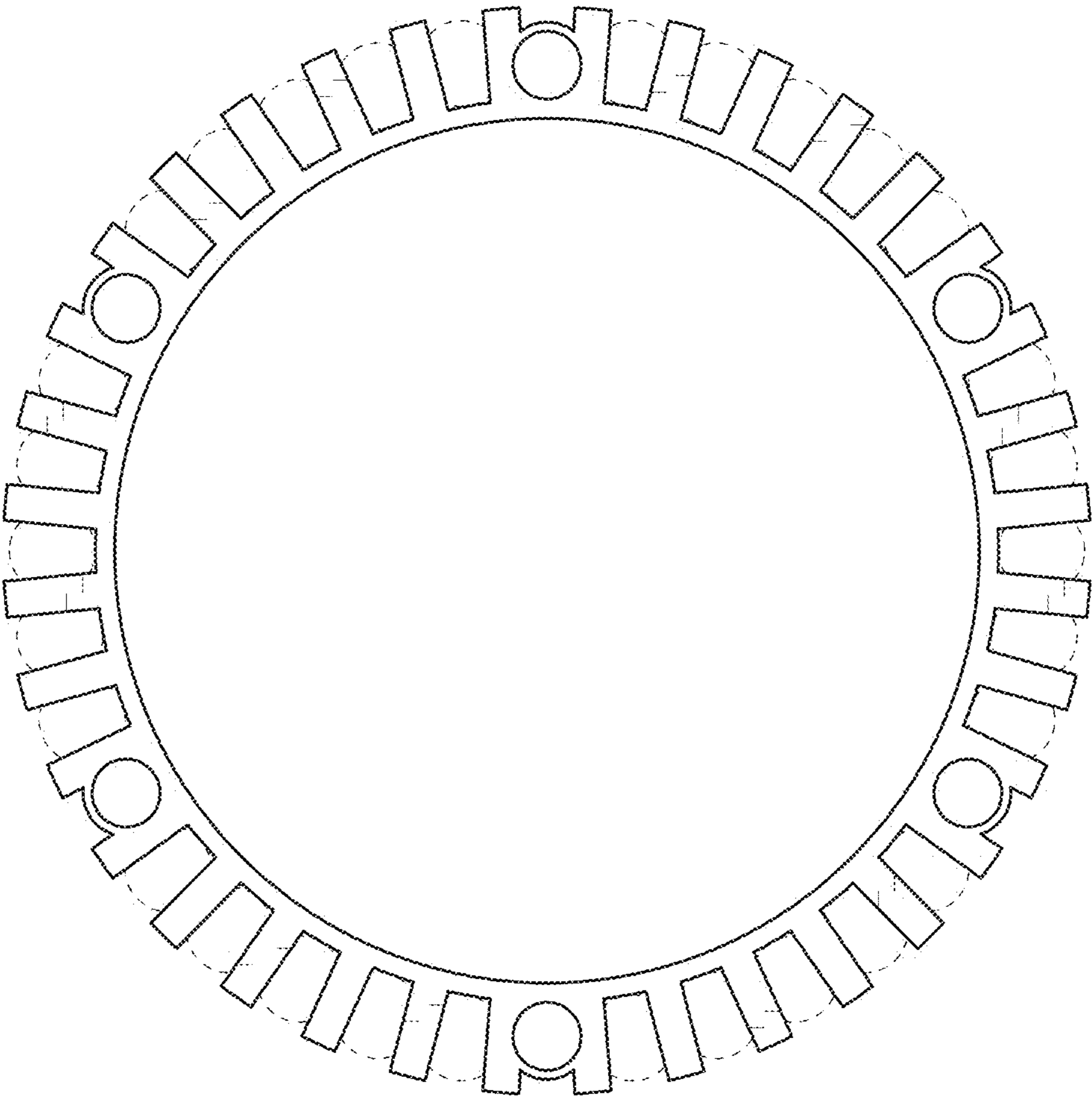


FIG. 6