

US00D763717S

(12) **United States Design Patent**
Chen

(10) **Patent No.:** **US D763,717 S**

(45) **Date of Patent:** **** Aug. 16, 2016**

(54) **HORN**

(71) Applicant: **SYUAN EN ENTERPRISE CO., LTD.**,
Tainan (TW)

(72) Inventor: **I-Chung Chen**, Tainan (TW)

(73) Assignee: **Syuan En Enterprise Co., Ltd.**, Tainan
(TW)

(**) Term: **14 Years**

(21) Appl. No.: **29/509,798**

(22) Filed: **Nov. 21, 2014**

(51) **LOC (10) Cl.** **10-05**

(52) **U.S. Cl.**
USPC **D10/120**

(58) **Field of Classification Search**
USPC D10/120
CPC G10K 9/00
See application file for complete search history.

(56) **References Cited**

U.S. PATENT DOCUMENTS

D111,189 S *	9/1938	Nielsen	340/384.1
D404,674 S *	1/1999	Chen	D10/120
D419,099 S *	1/2000	Chen	D10/120

* cited by examiner

Primary Examiner — George D Kirschbaum
(74) *Attorney, Agent, or Firm* — Rosenberg, Klein & Lee

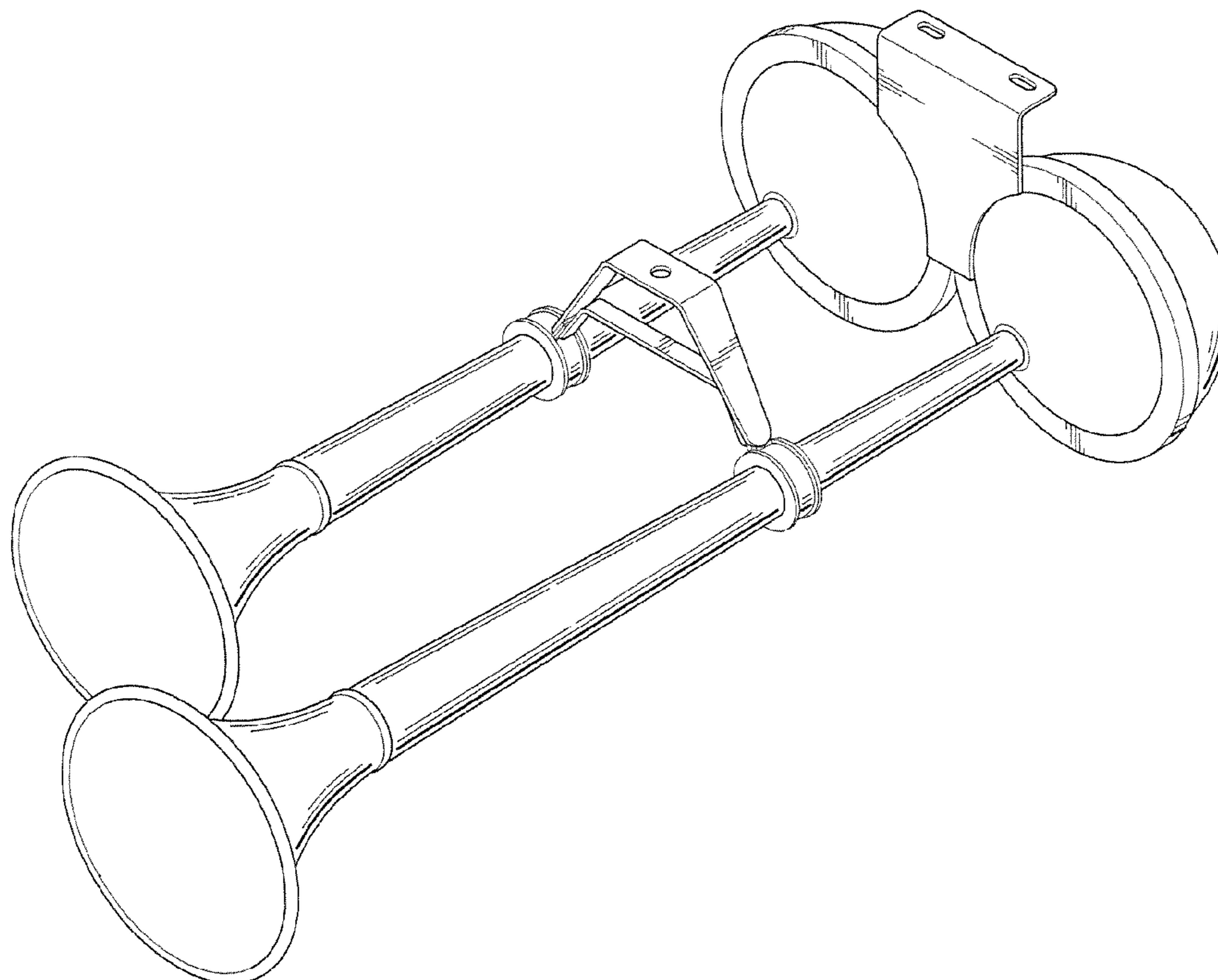
(57) **CLAIM**

The ornamental design for a horn, as shown and described.

DESCRIPTION

FIG. 1 is a perspective view of a horn my new design;
FIG. 2 is a front elevational view thereof;
FIG. 3 is a rear elevational view thereof;
FIG. 4 is a left side elevational view thereof;
FIG. 5 is a right side elevational view thereof;
FIG. 6 is a top plan view thereof; and,
FIG. 7 is a bottom plan view thereof.
The broken lines depict unclaimed environmental subject matter.

1 Claim, 7 Drawing Sheets



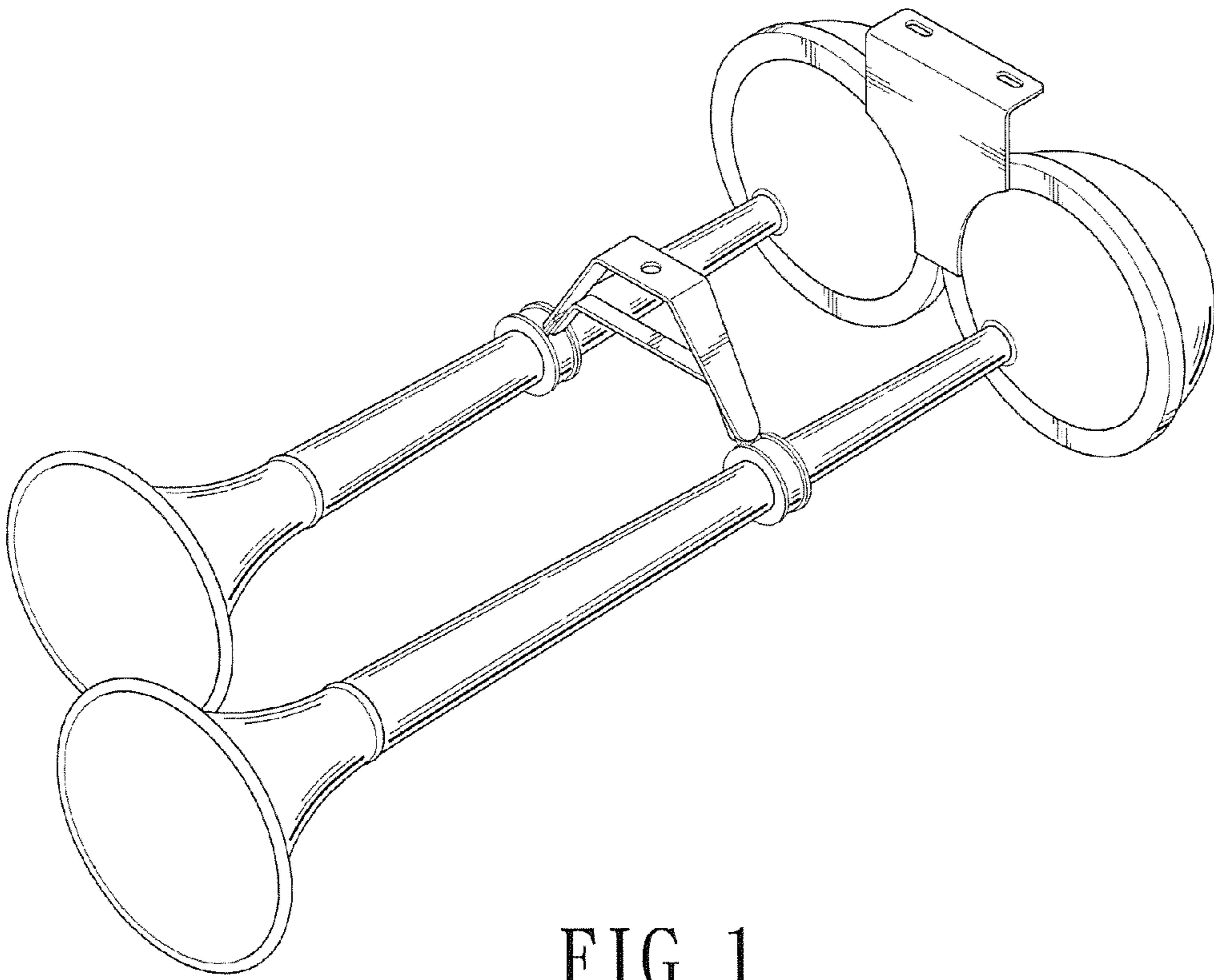


FIG. 1

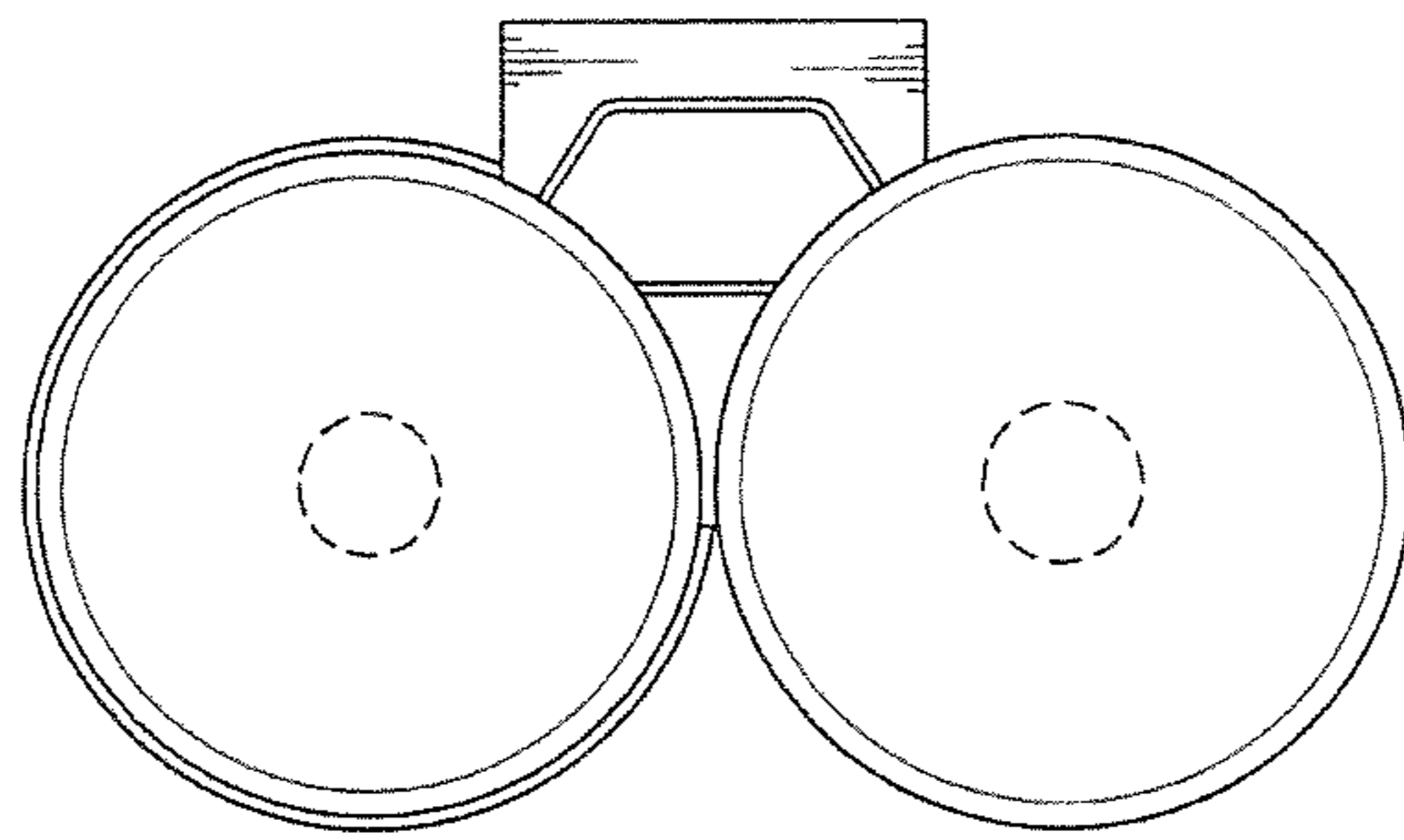


FIG. 2

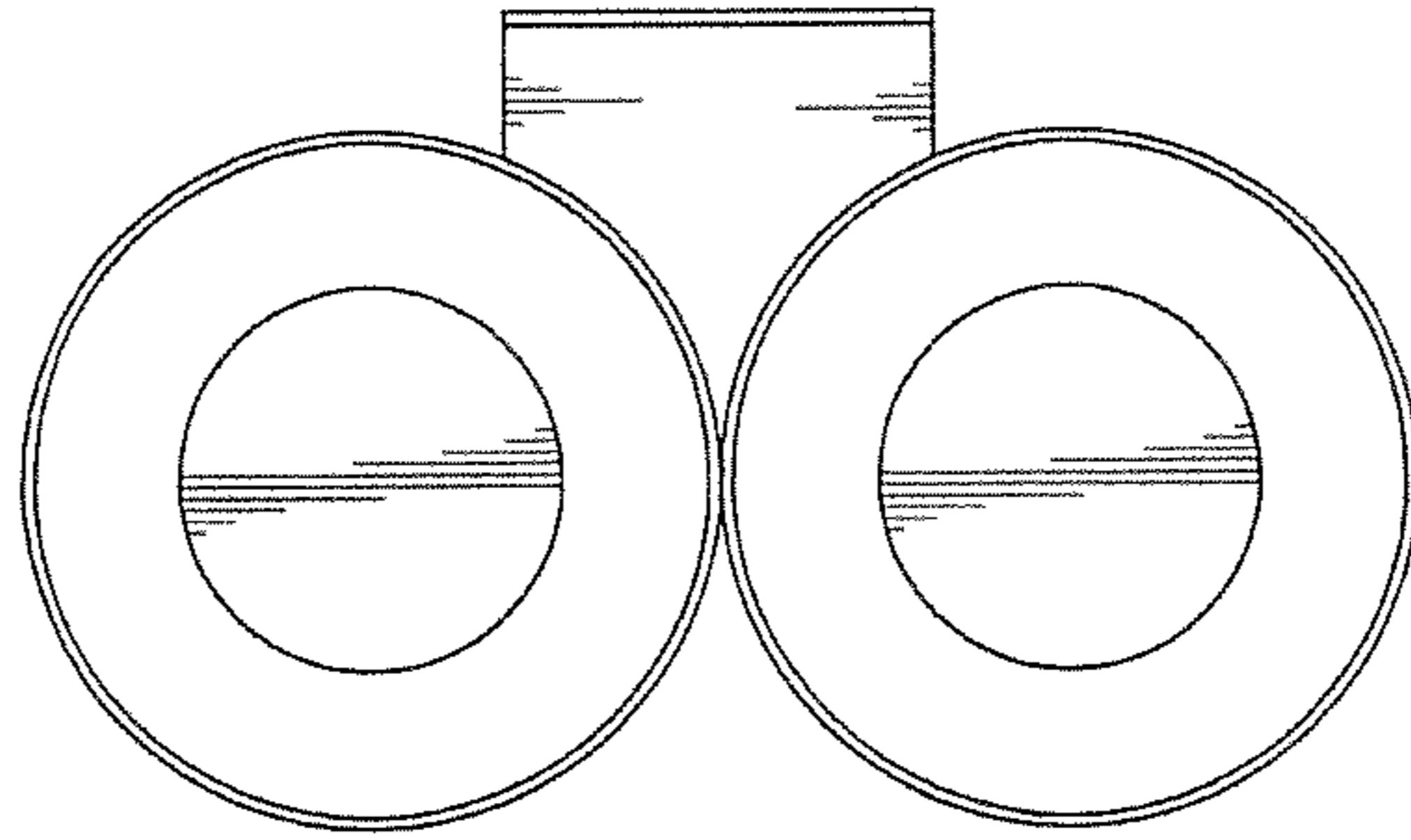


FIG. 3

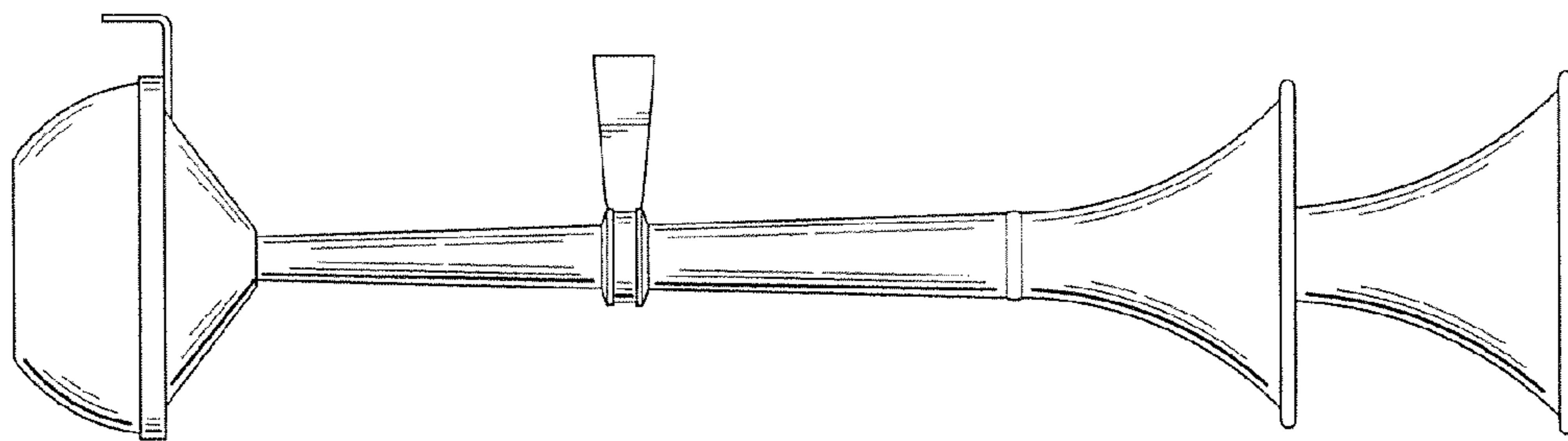


FIG. 4

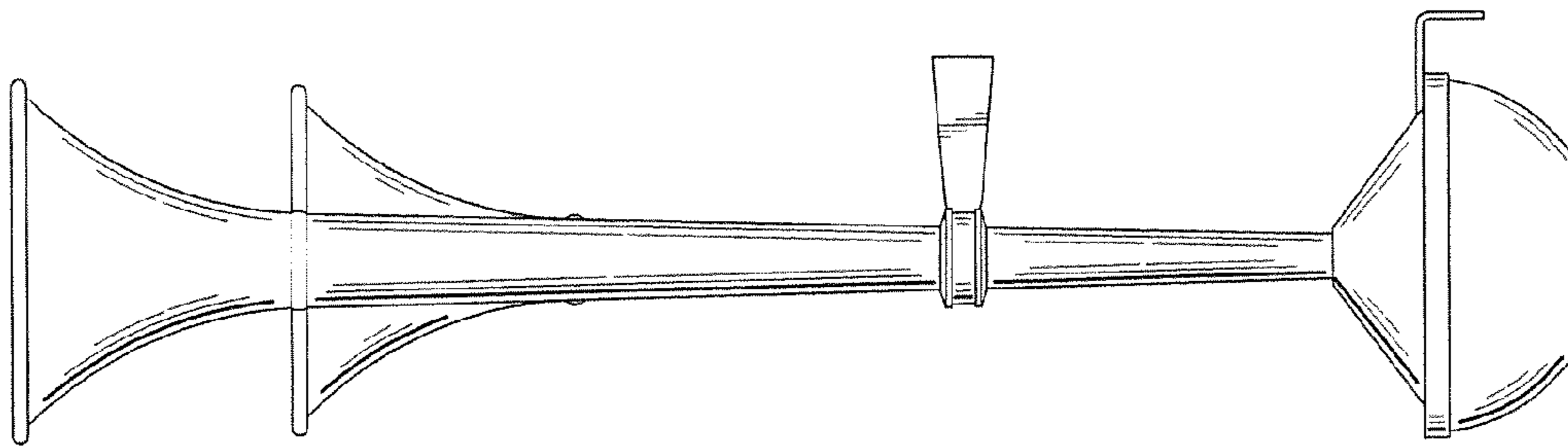


FIG. 5

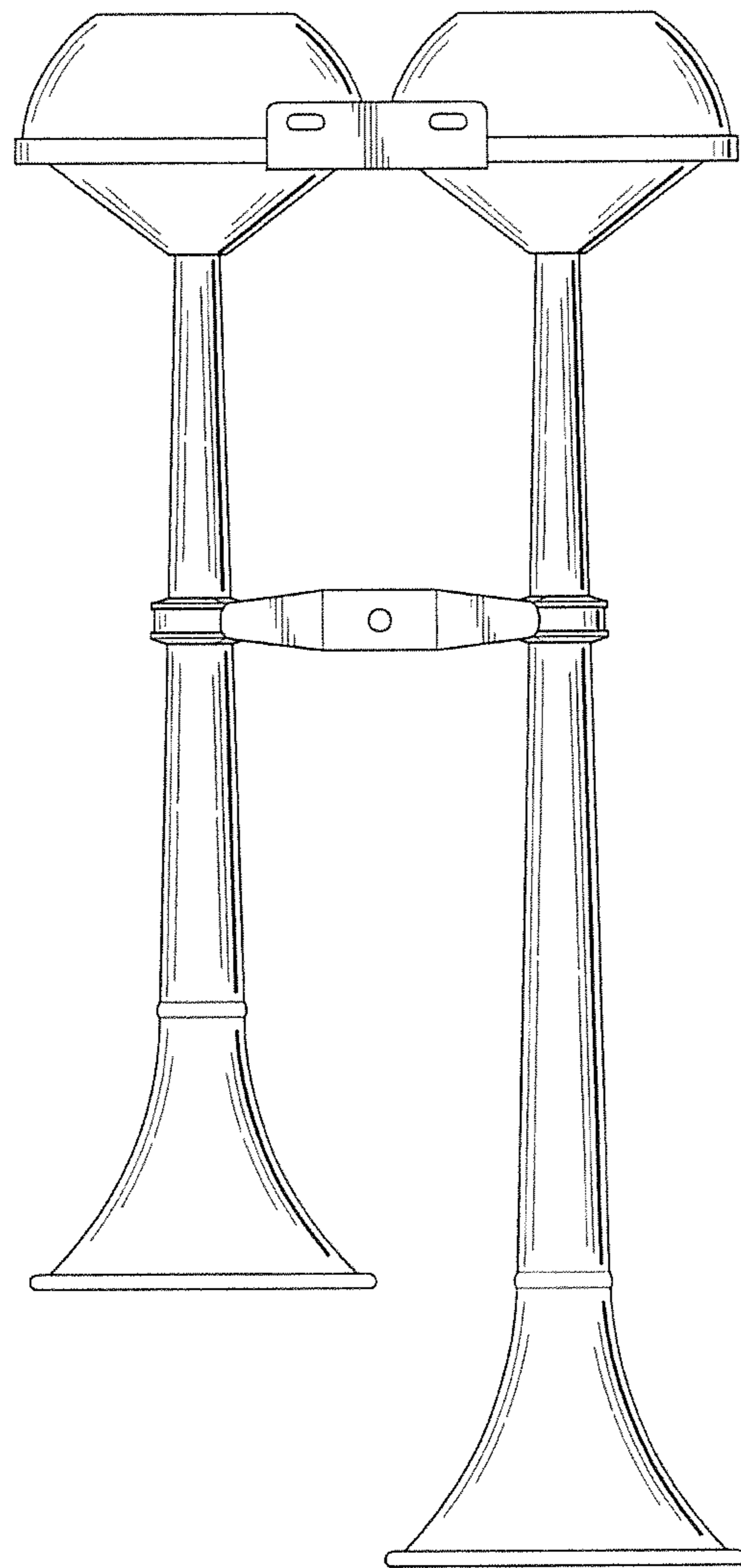


FIG. 6

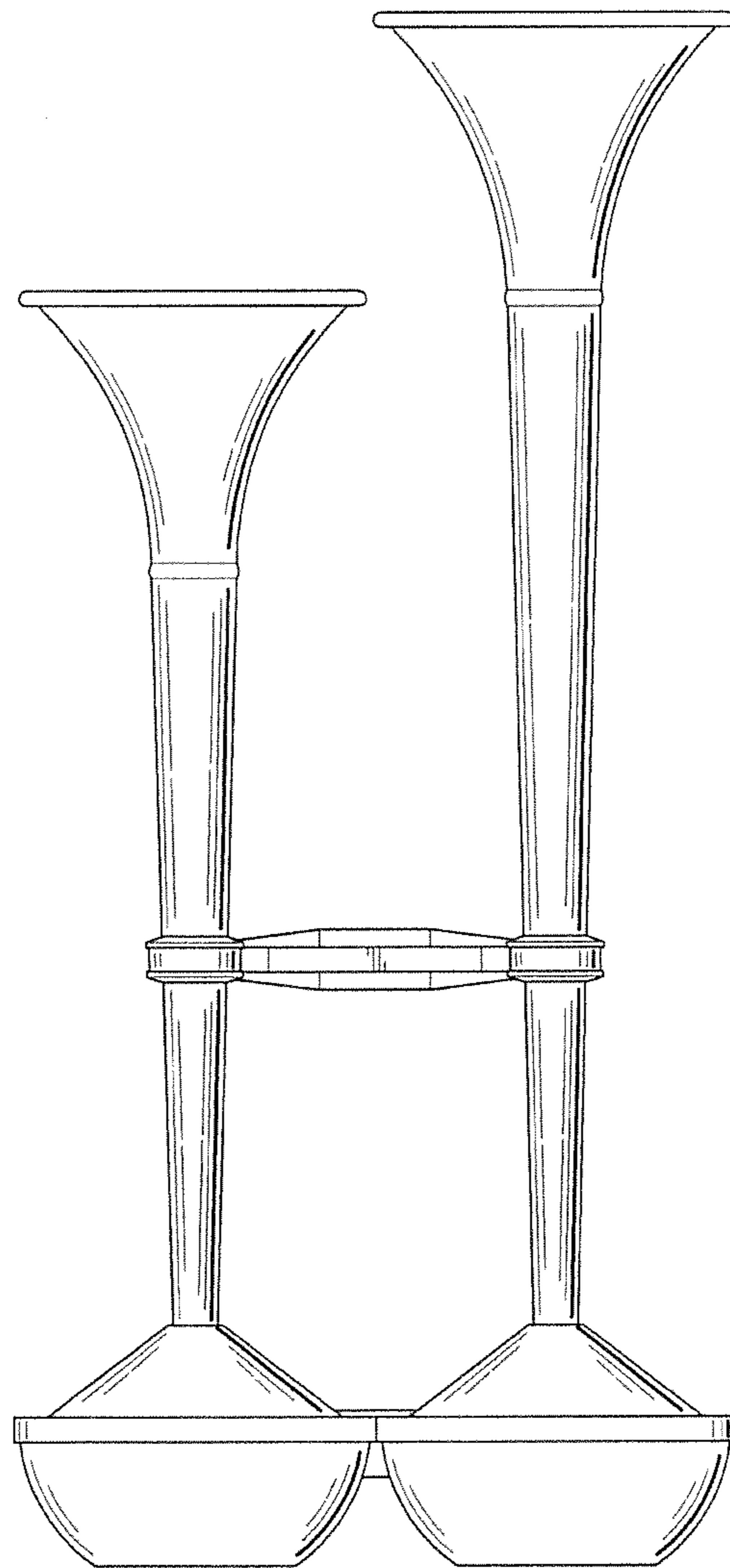


FIG. 7