



US00D763715S

(12) **United States Design Patent**
Raehsler et al.

(10) **Patent No.:** **US D763,715 S**
(45) **Date of Patent:** **** Aug. 16, 2016**

- (54) **FLOW TIMER FOR GAS GRILL**
- (71) Applicants: **Timothy Raehsler**, New Richmond, WI (US); **AnneLouise Raehsler**, New Richmond, WI (US)
- (72) Inventors: **Timothy Raehsler**, New Richmond, WI (US); **AnneLouise Raehsler**, New Richmond, WI (US)

6,085,597 A * 7/2000 Miller G01D 11/24
359/894

6,289,792 B1 9/2001 Grando et al.
7,228,726 B2 * 6/2007 Kates G01M 3/2815
340/632

D630,536 S * 1/2011 Pettit D10/96
8,122,736 B2 * 2/2012 Martins F25B 39/04
62/507

8,210,029 B2 * 7/2012 Hart G01M 3/022
73/37

(**) Term: **15 Years**

(21) Appl. No.: **29/526,943**

(22) Filed: **May 14, 2015**

(51) **LOC (10) Cl.** **10-04**

(52) **U.S. Cl.**
USPC **D10/96**

(58) **Field of Classification Search**
USPC D10/96, 97; D23/233, 235
CPC G01M 3/26; G01M 3/28; G01M 3/2807;
G01M 3/2815; G01M 3/2823; G01M 3/283;
G01M 3/2838; G01M 3/2846; G01M 3/2853;
G01M 3/2861; G01M 3/2869; G01M 3/2876;
G01M 3/2884; G01M 3/2892; G01M 3/30
See application file for complete search history.

(56) **References Cited**

U.S. PATENT DOCUMENTS

D283,204 S * 4/1986 McDonald D10/96
4,823,838 A 4/1989 Ferlin

* cited by examiner

Primary Examiner — Antoine D Davis

(74) *Attorney, Agent, or Firm* — Crossley and Stevenson Intellectual Property Law

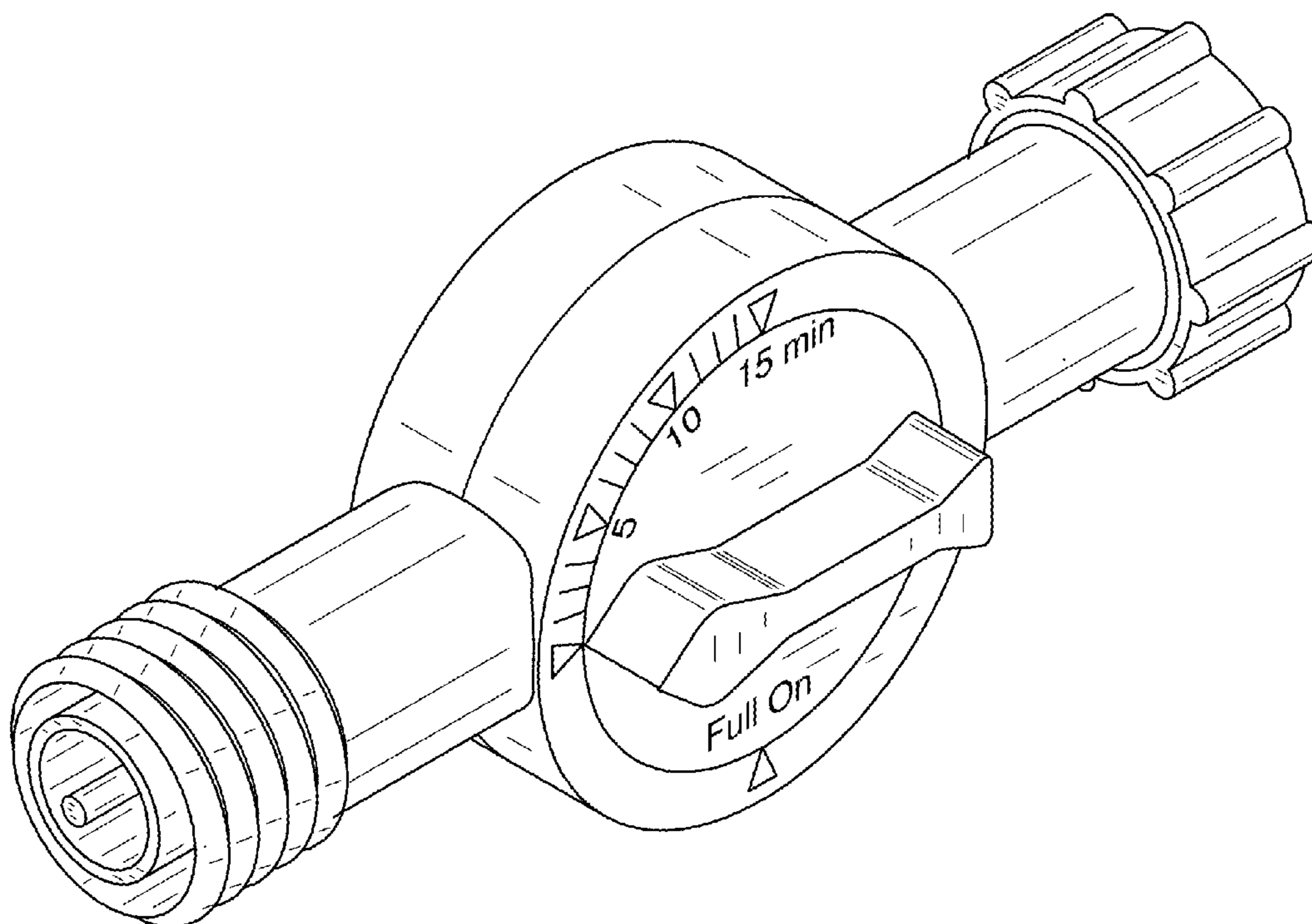
(57) **CLAIM**

The ornamental design for a flow timer for gas grill, as shown and described.

DESCRIPTION

FIG. 1 is a top plan view of a flow timer for gas grill showing our new design;
FIG. 2 is a bottom plan view thereof;
FIG. 3 is a right side elevation view thereof
FIG. 4 is a left side elevation view thereof;
FIG. 5 is a front elevation view thereof, the opposite side being a mirror image of the shown; and,
FIG. 6 is an isometric view thereof.

1 Claim, 5 Drawing Sheets



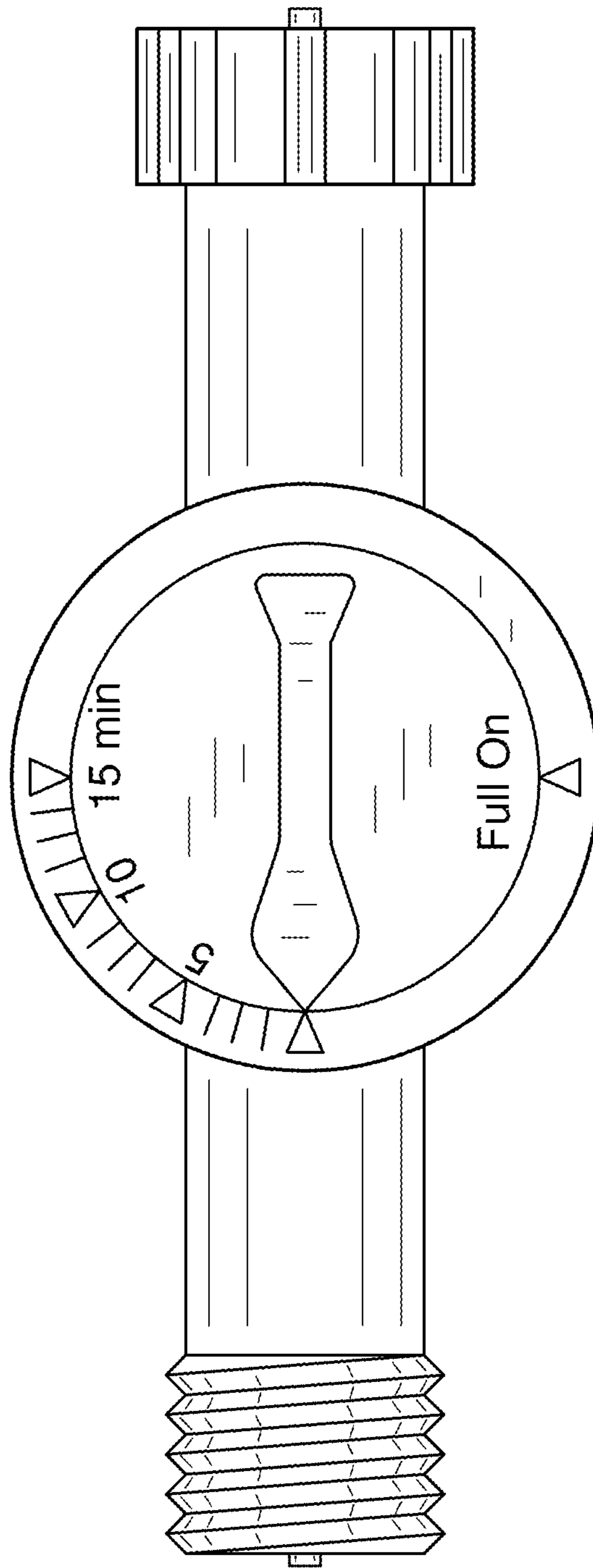


FIG. 1

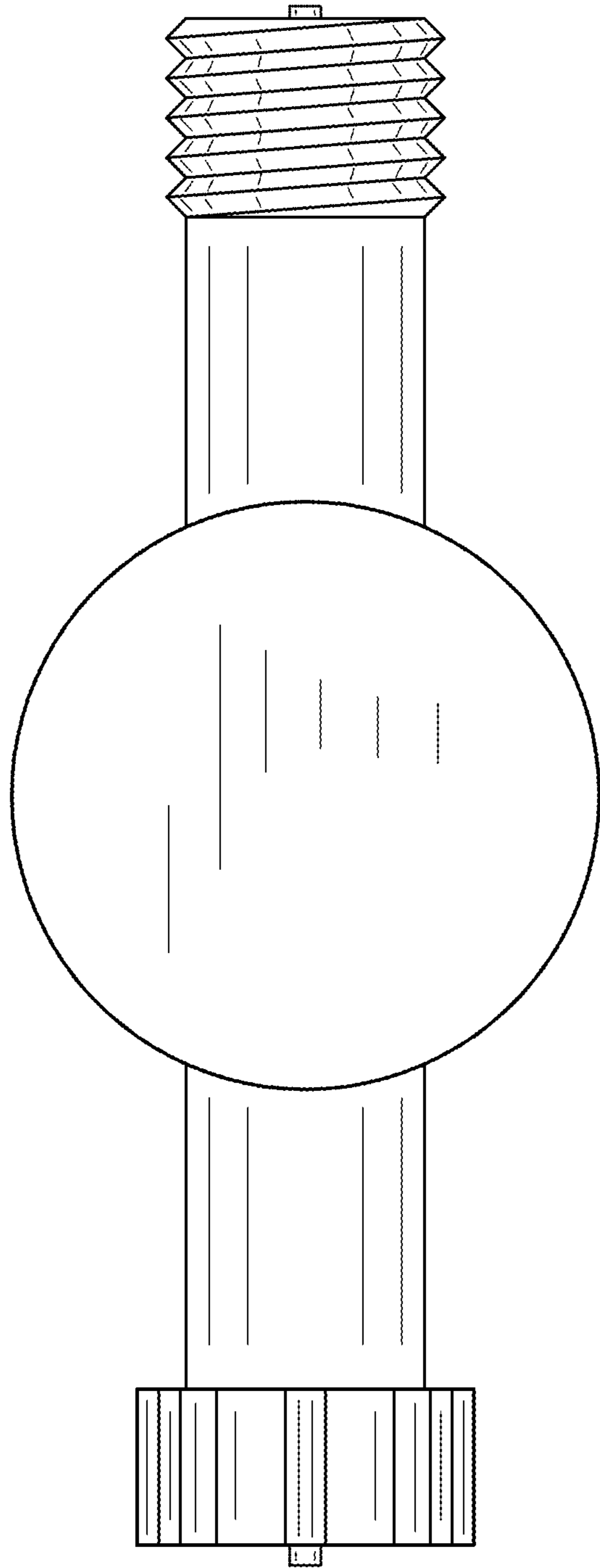


FIG. 2

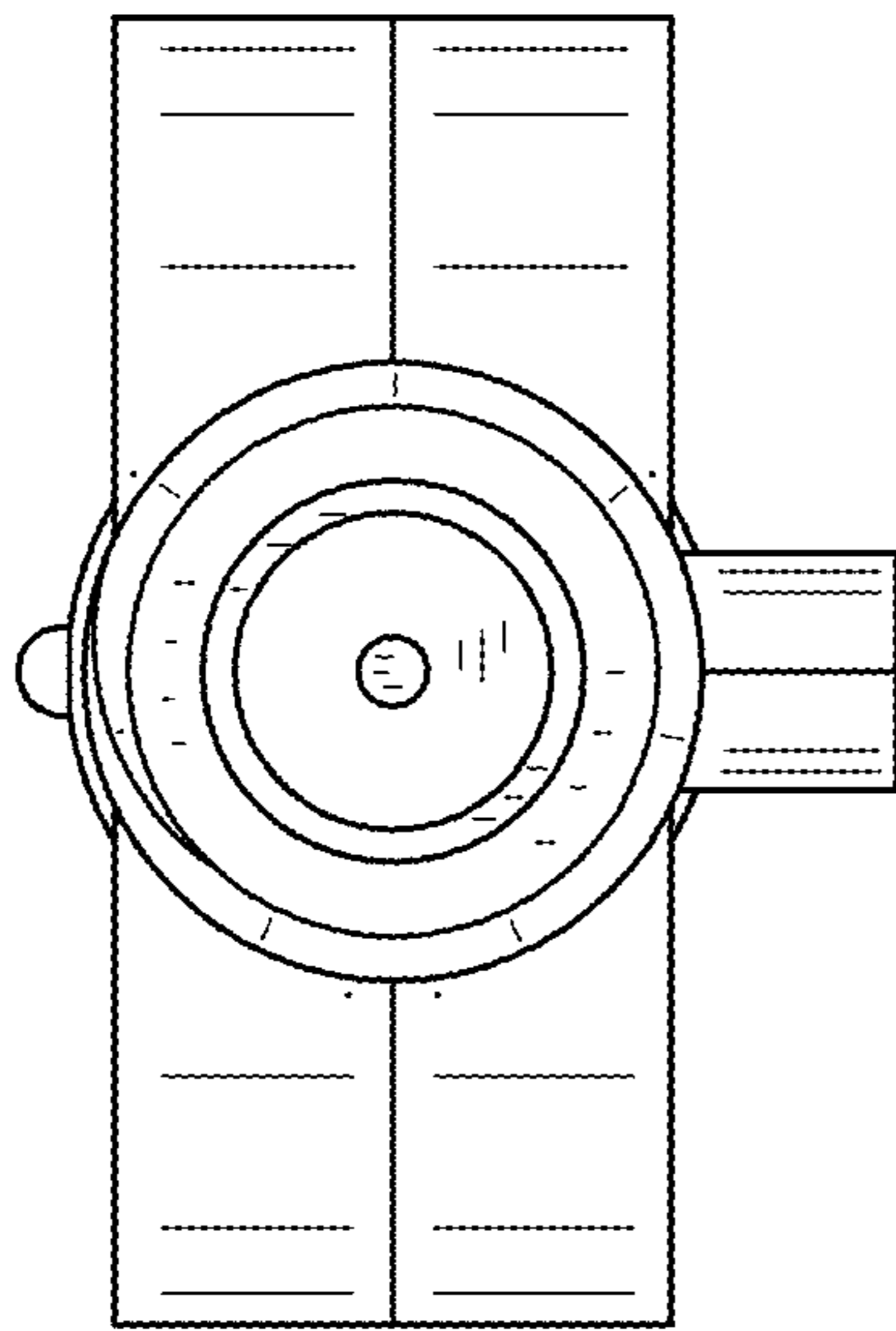


FIG. 3

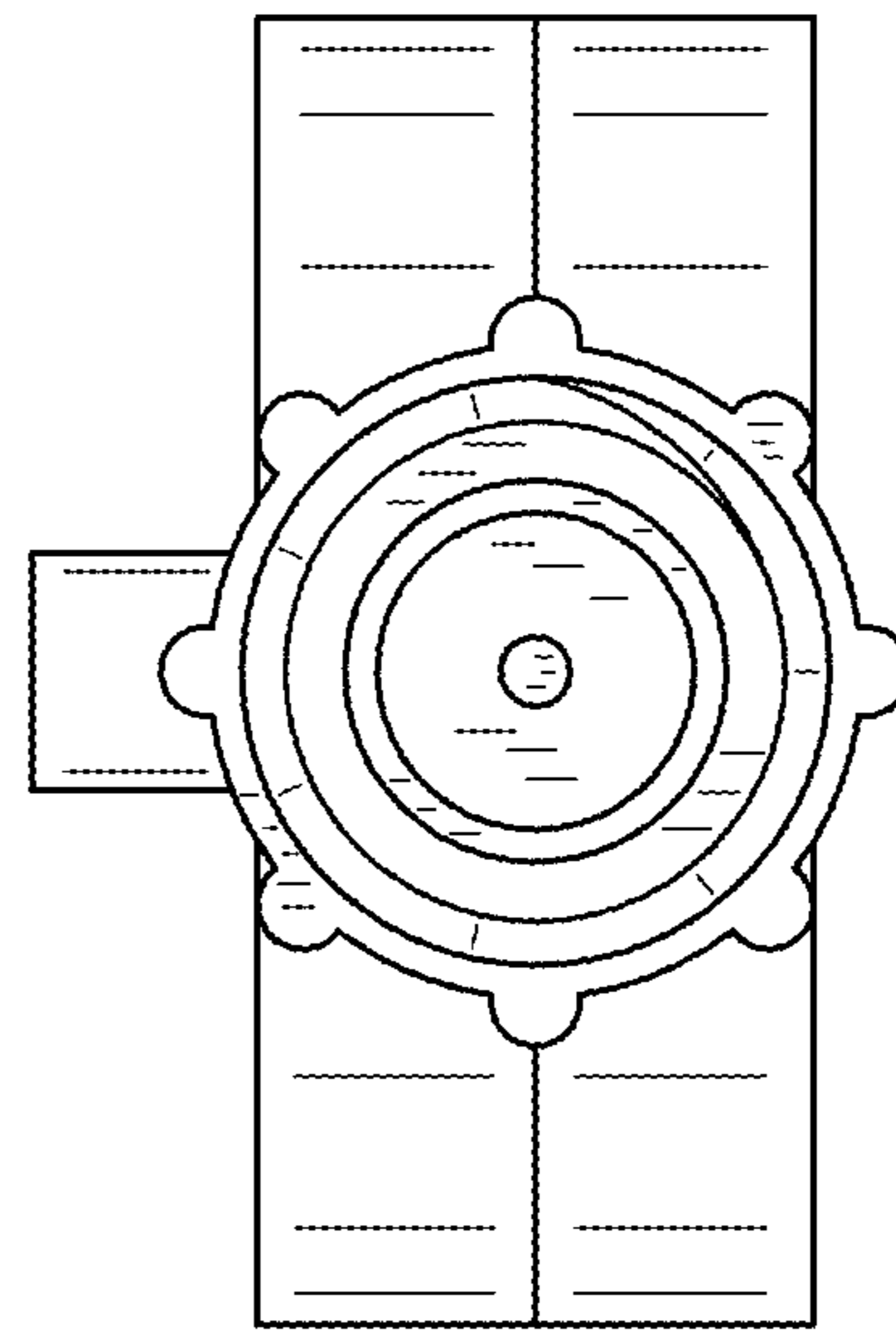


FIG. 4

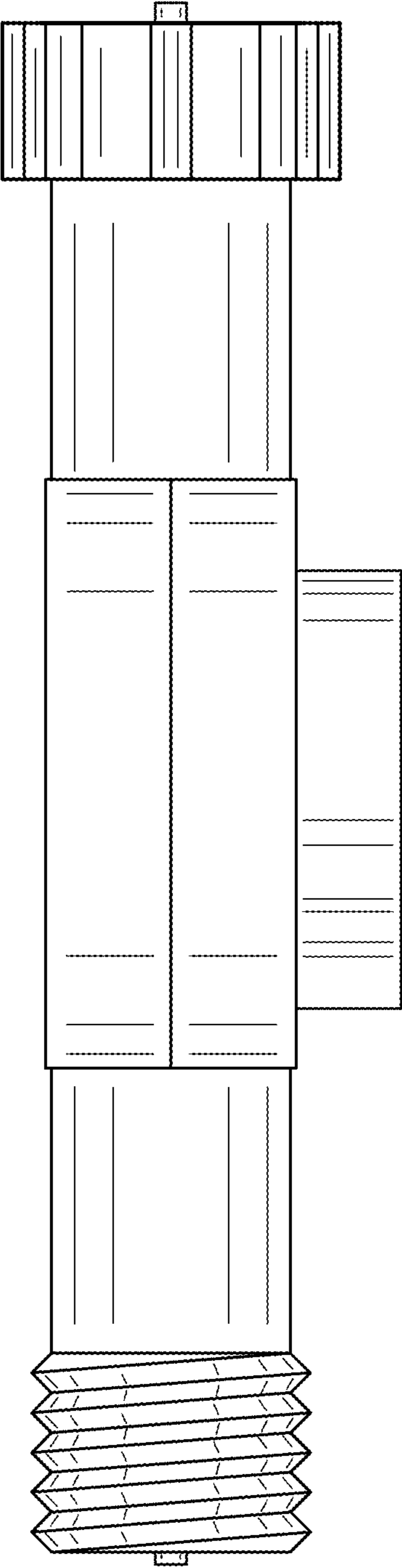


FIG. 5

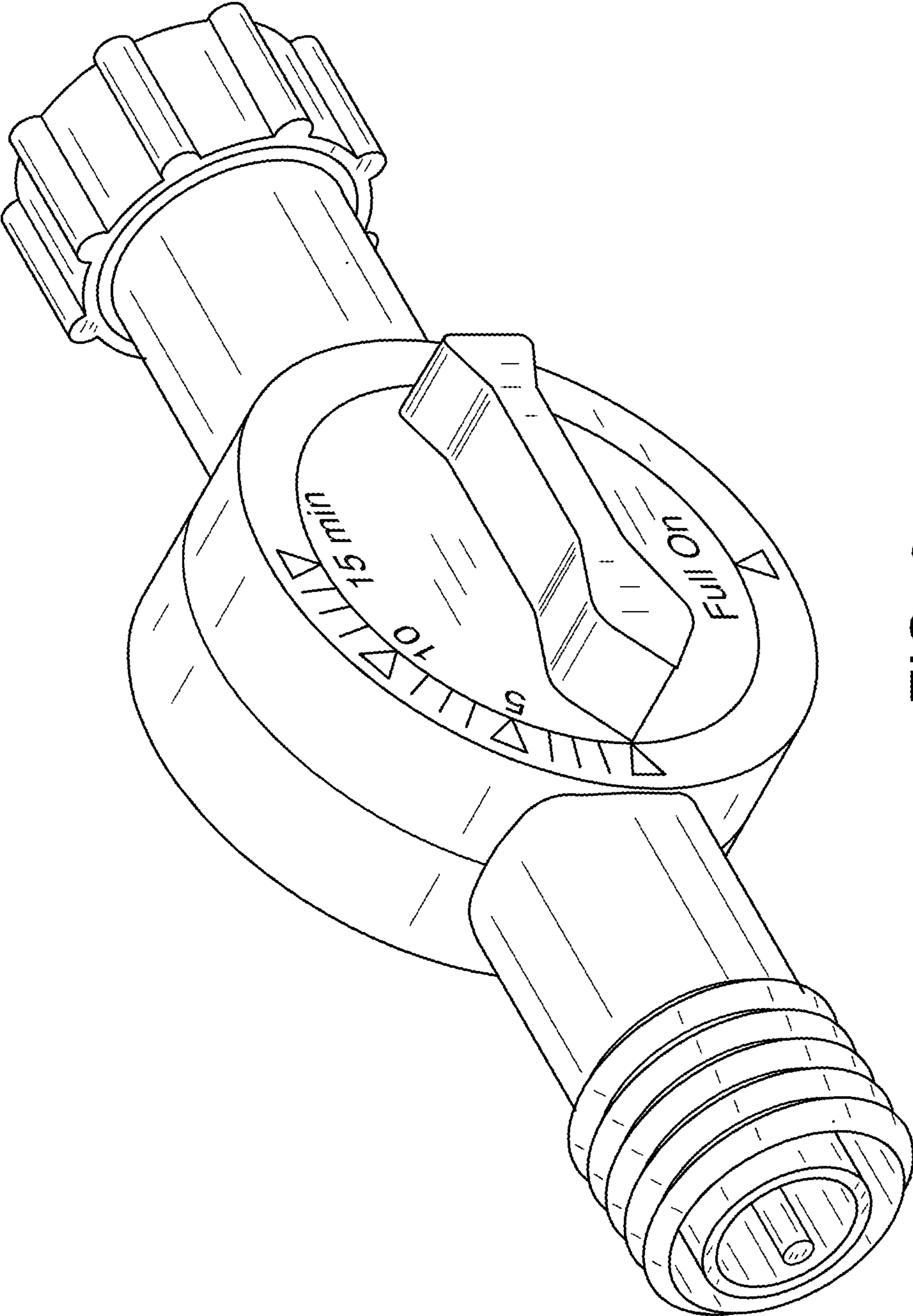


FIG. 6