



US00D763714S

(12) **United States Design Patent**
Huang

(10) **Patent No.:** **US D763,714 S**

(45) **Date of Patent:** **** Aug. 16, 2016**

(54) **DIGITAL MULTIMETER**

(56) **References Cited**

(71) Applicant: **Danaher (Shanghai) Industrial Instrumentation Technologies R&D Co., Ltd.**, Shanghai (CN)

U.S. PATENT DOCUMENTS

(72) Inventor: **Wei Huang**, Shanghai (CN)

D358,348	S	5/1995	Burgess
5,920,188	A	7/1999	Voorheis et al.
D412,450	S	8/1999	McCain
D419,466	S	1/2000	McCain
D446,735	S	8/2001	McCain
D625,633	S	10/2010	Laurino et al.
8,093,516	B2	1/2012	Worones et al.
8,358,121	B2	1/2013	Hudson et al.
8,374,507	B2	2/2013	Hudson et al.

(73) Assignee: **Fluke Precision Measurement Ltd.**, Norfolk (GB)

(**) Term: **15 Years**

(Continued)

(21) Appl. No.: **29/545,044**

Primary Examiner — Antoine D Davis

(22) Filed: **Nov. 9, 2015**

(74) *Attorney, Agent, or Firm* — Seed IP Law Group PLLC

Related U.S. Application Data

(57) **CLAIM**

(63) Continuation of application No. 29/519,895, filed on Mar. 9, 2015, now Pat. No. Des. 744,361, which is a continuation of application No. 29/476,735, filed on Dec. 16, 2013, now Pat. No. Des. 723,959.

The ornamental design for a digital multimeter, as shown and described.

DESCRIPTION

(30) **Foreign Application Priority Data**

Jun. 19, 2013 (CN) 2013 3 0263537

(51) **LOC (10) Cl.** **10-04**

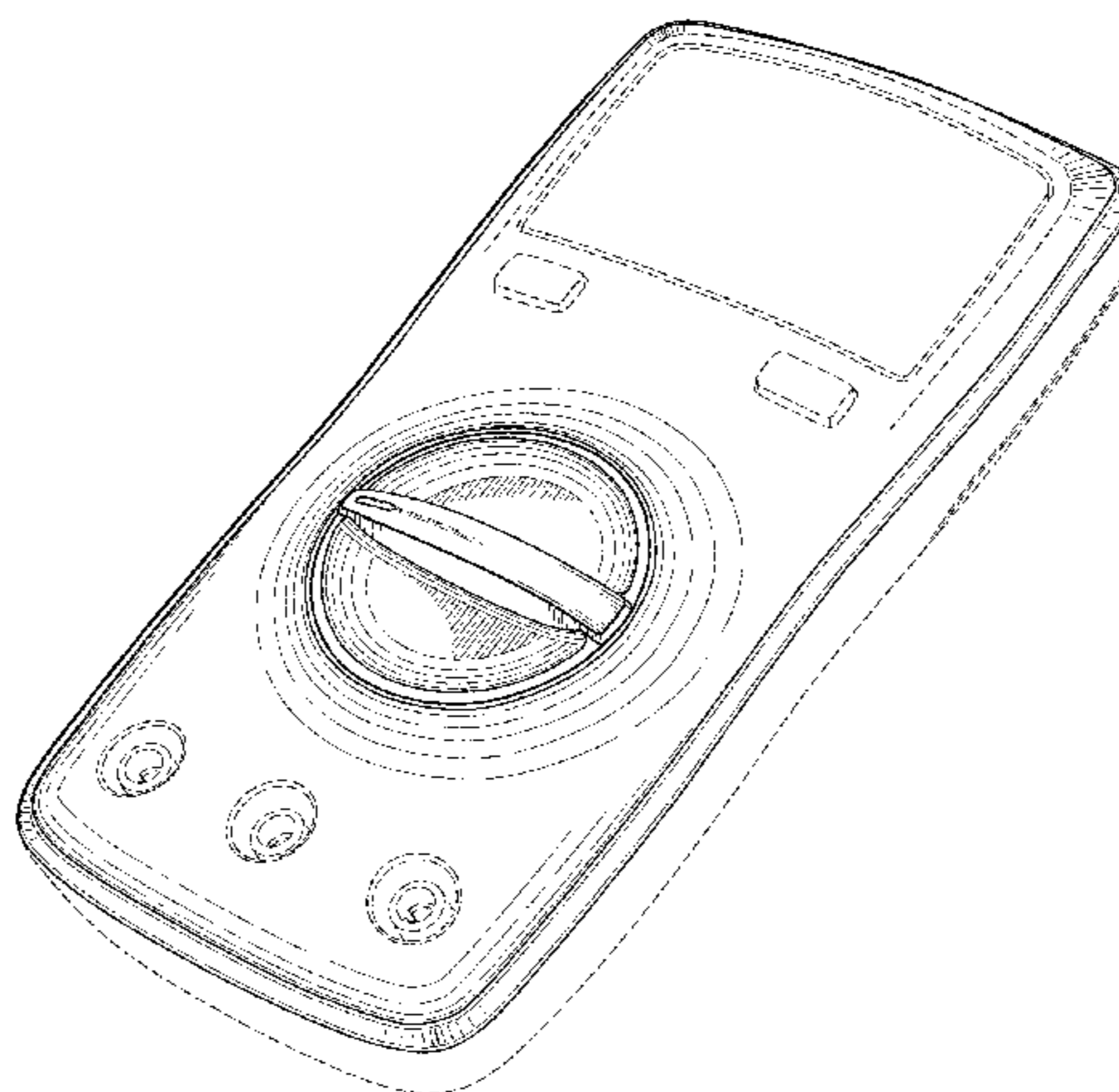
(52) **U.S. Cl.**
USPC **D10/78**

(58) **Field of Classification Search**
USPC D10/78; 324/66, 67, 158 P, 539–542, 324/72.5, 556, 133, 149, 503, 543, 555, 72, 324/754, 115, 141, 114, 145, 156, 508, 116, 324/99 D; 379/21, 60, 66, 96, 379/106.01–106.11; 340/635, 687, 654; 73/866.5; 200/11 R, 11 DA, 336, 341; 361/679.01
CPC G01R 1/22; G01R 1/04; G01R 15/181; G01R 15/186; G01R 15/12; G01R 15/125; G01D 11/24; G06F 17/00

FIG. 1 is a front elevation view of a digital multimeter showing my new design;
FIG. 2 is a rear elevation view thereof;
FIG. 3 is a left side elevation view thereof;
FIG. 4 is a right side elevation view thereof;
FIG. 5 is a top plan view thereof;
FIG. 6 is a bottom plan view thereof;
FIG. 7 is a bottom front right perspective view thereof;
FIG. 8 is a front elevation view of another embodiment of a digital multimeter showing my new design;
FIG. 9 is a rear elevation view thereof;
FIG. 10 is a left side elevation view thereof;
FIG. 11 is a right side elevation view thereof;
FIG. 12 is a top plan view thereof;
FIG. 13 is a bottom plan view thereof; and,
FIG. 14 is a bottom front right perspective view thereof.
Broken lines shown in the drawings illustrate environmental subject matter and form no part of the claimed design.

See application file for complete search history.

1 Claim, 10 Drawing Sheets



(56)

References Cited

U.S. PATENT DOCUMENTS

8,405,380 B2 3/2013 Marzynski et al.
D684,873 S 6/2013 Steinich et al.
8,466,671 B2 6/2013 Worones
D704,579 S 5/2014 Heishi et al.
D705,099 S 5/2014 Heishi et al.
D705,681 S 5/2014 Morishita et al.

8,755,173 B2 6/2014 Laurino et al.
D723,401 S 3/2015 Shen
D723,959 S 3/2015 Huang
8,981,759 B2 3/2015 Heishi et al.
8,983,785 B2 * 3/2015 Panko G01R 13/029
324/113
D731,908 S 6/2015 Huang
D748,510 S * 2/2016 Zhou D10/78

* cited by examiner

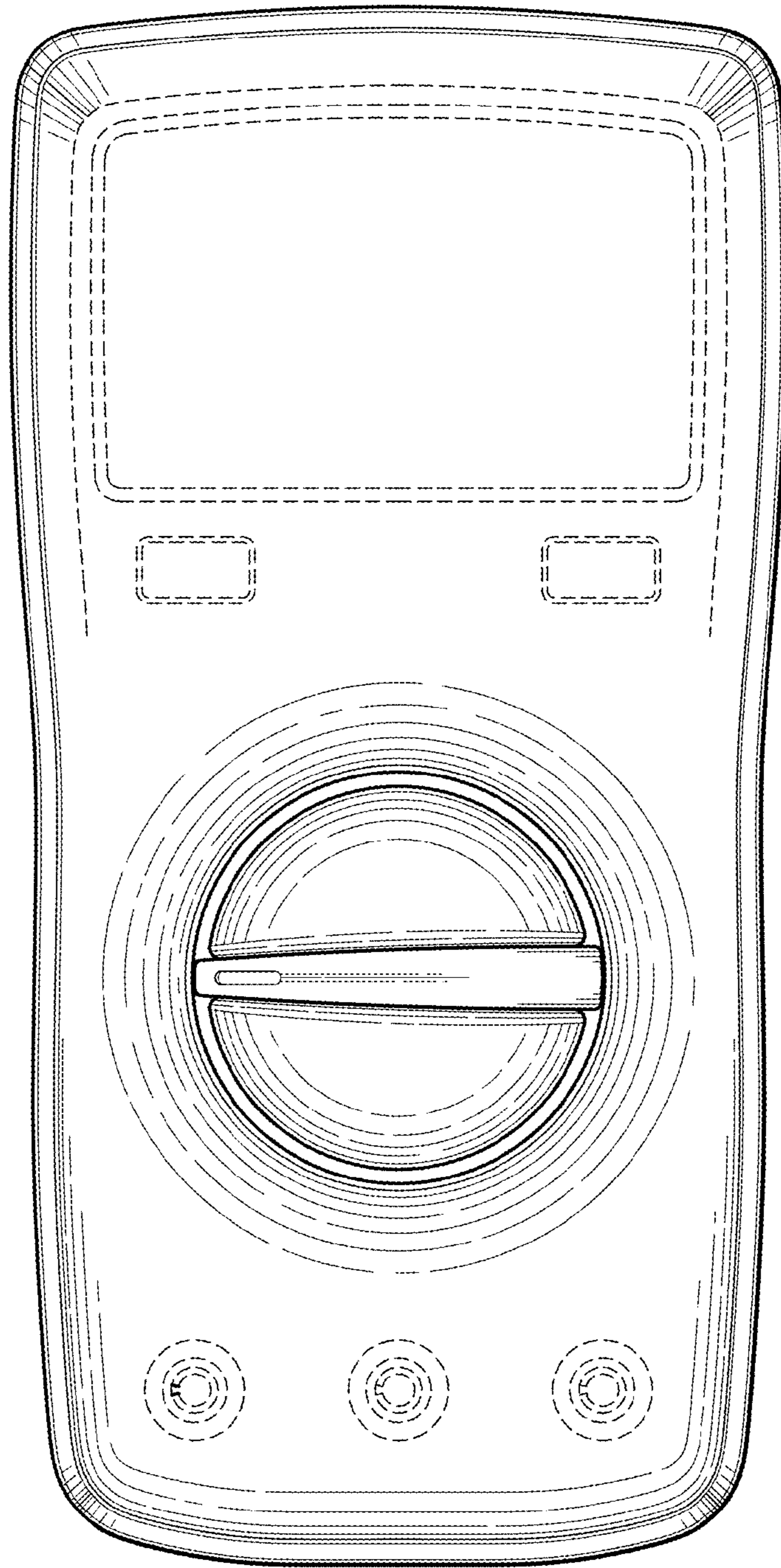


Fig. 1.

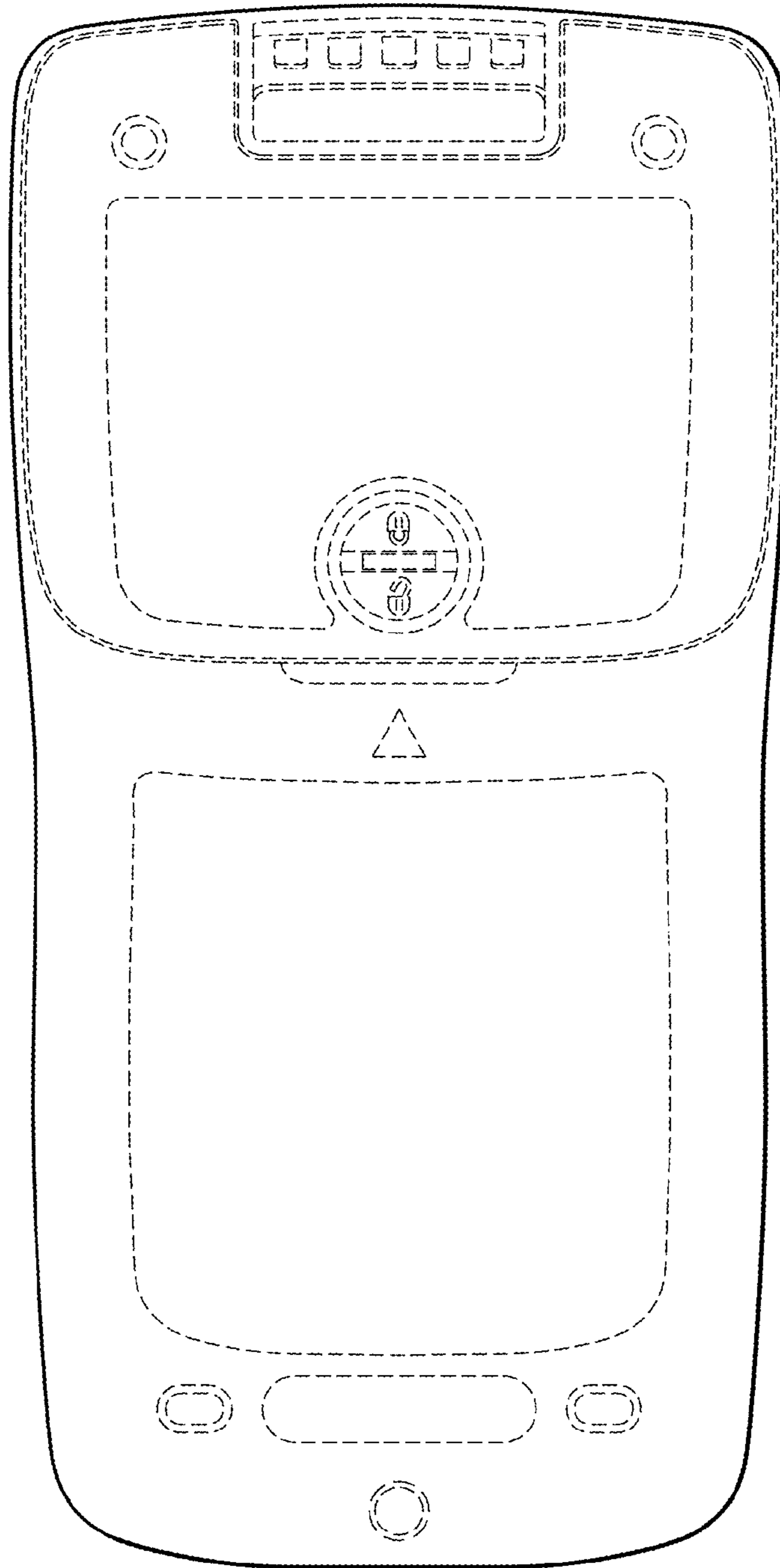


Fig. 2.

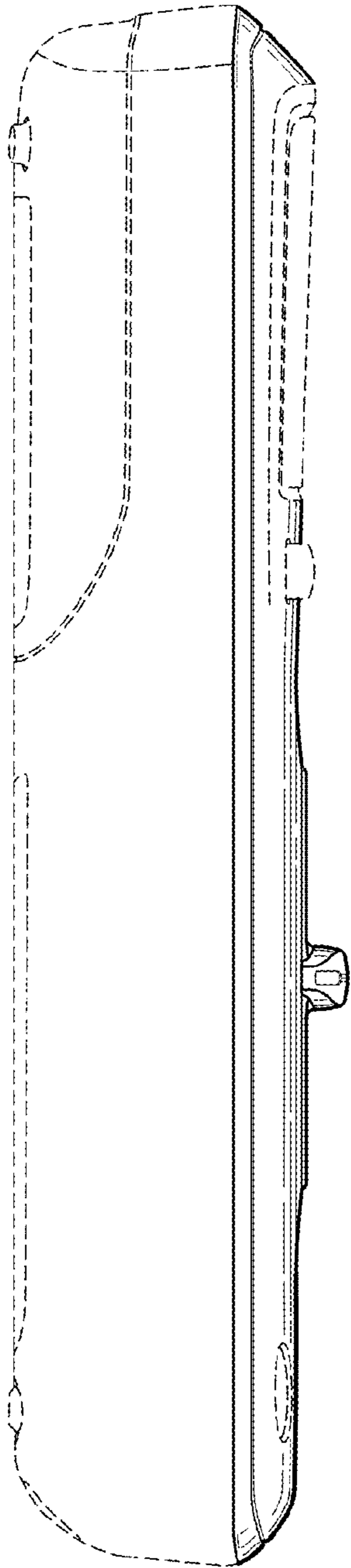


Fig. 3.

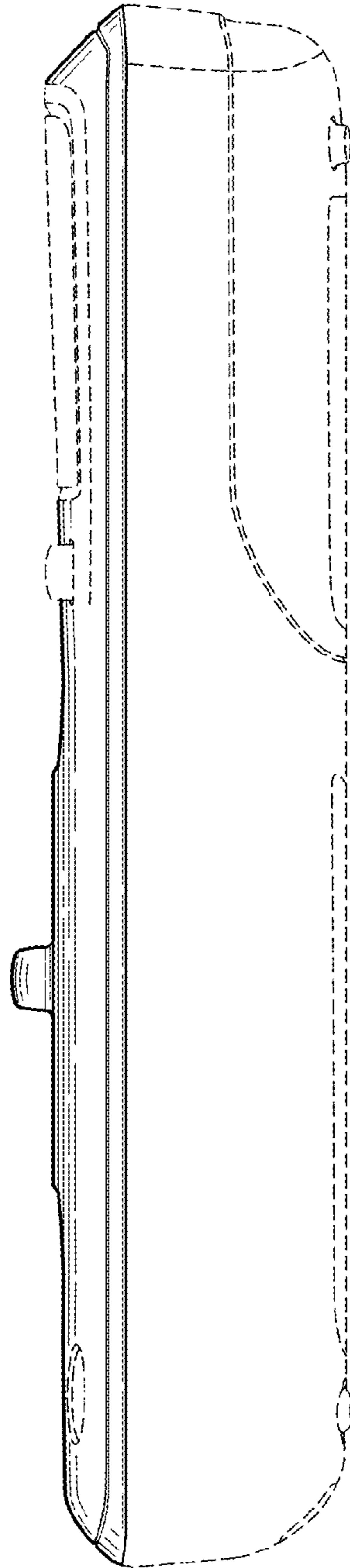


Fig. 4.

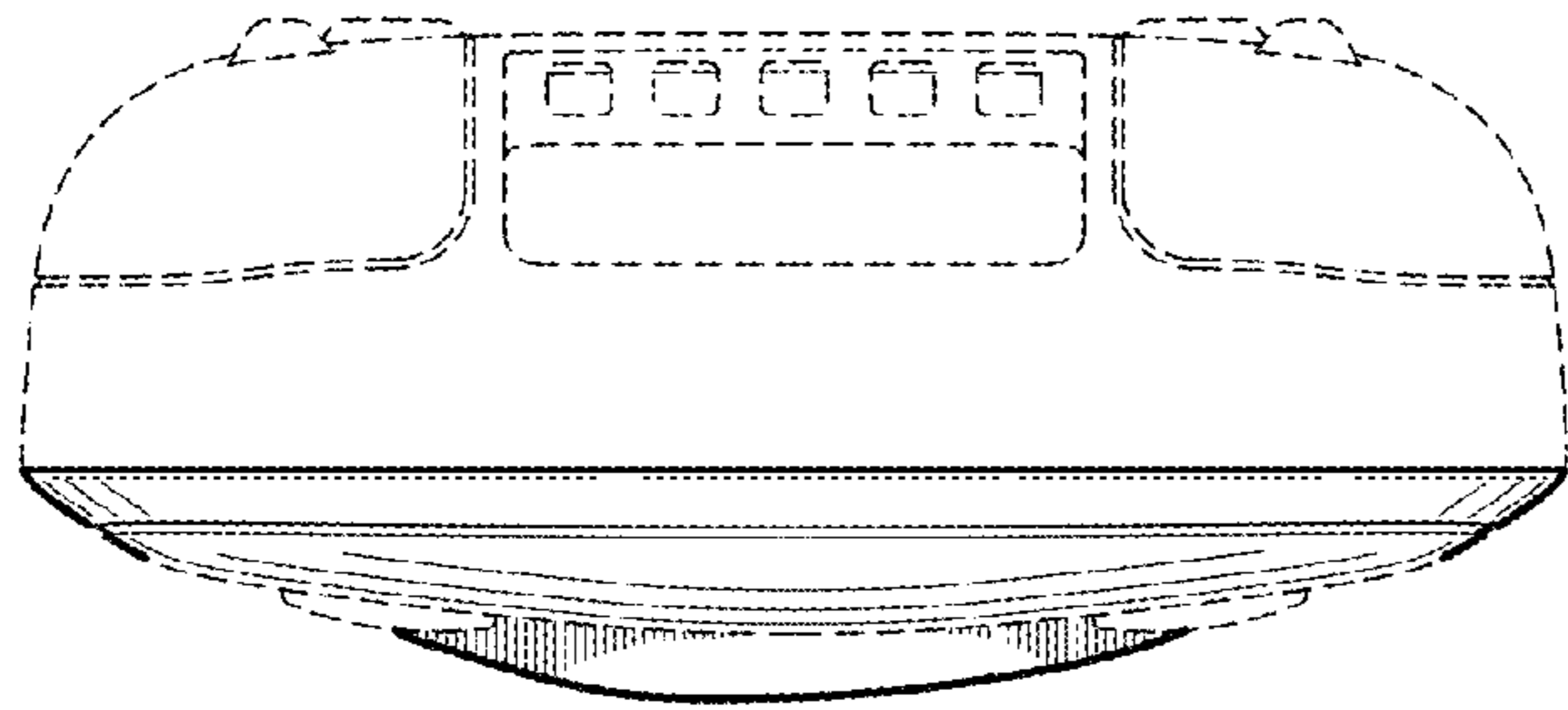


Fig. 5.

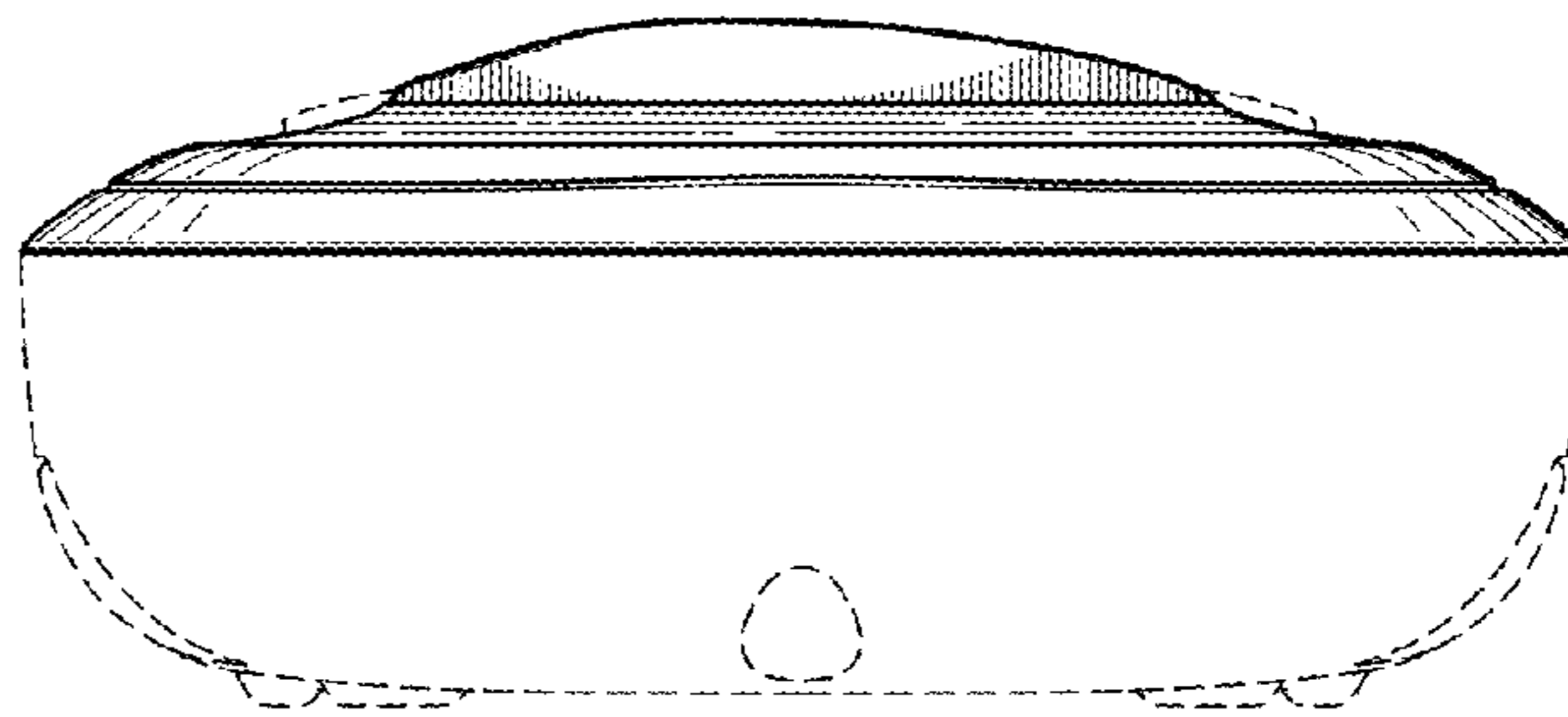


Fig. 6.

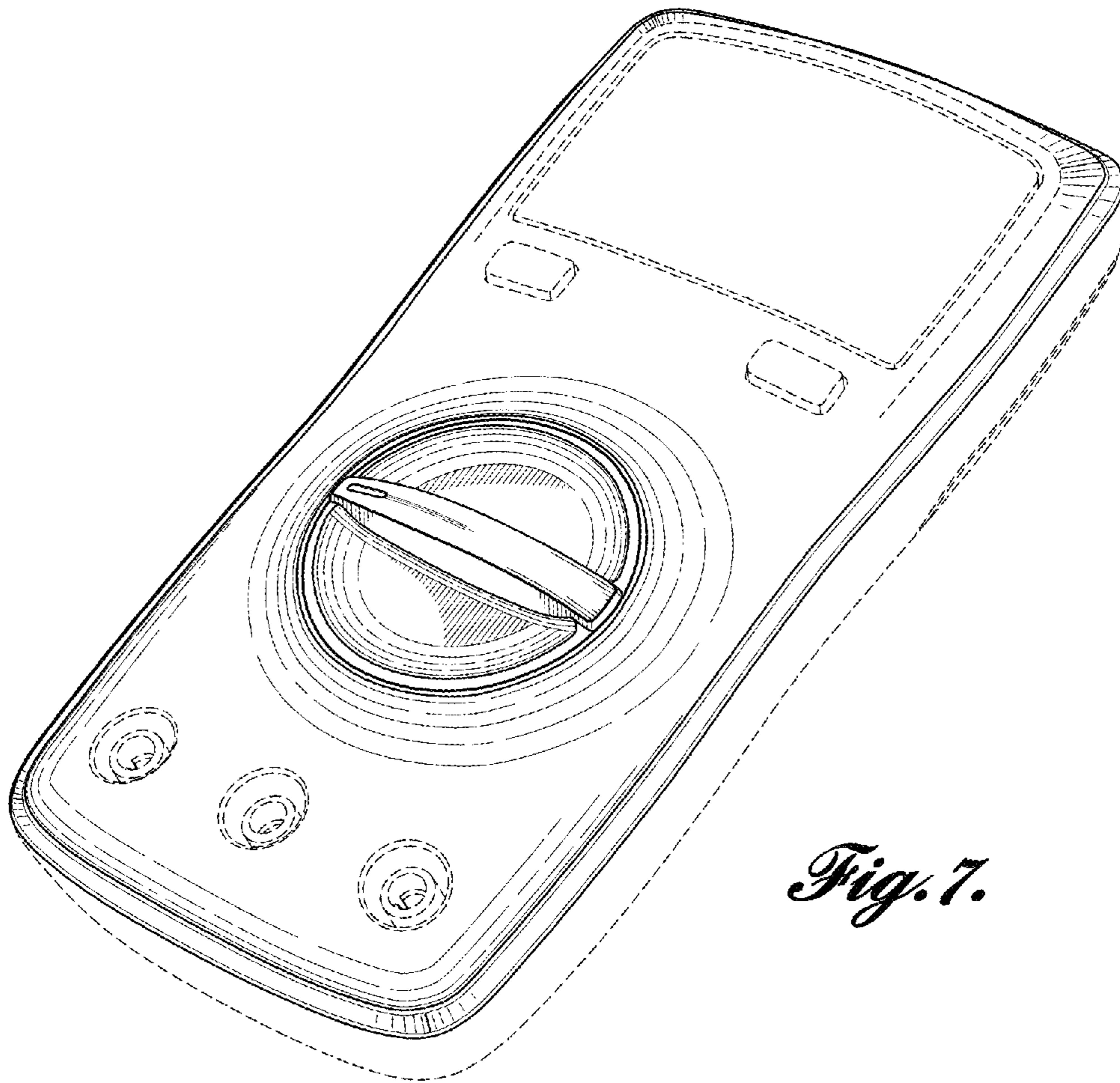


Fig. 7.

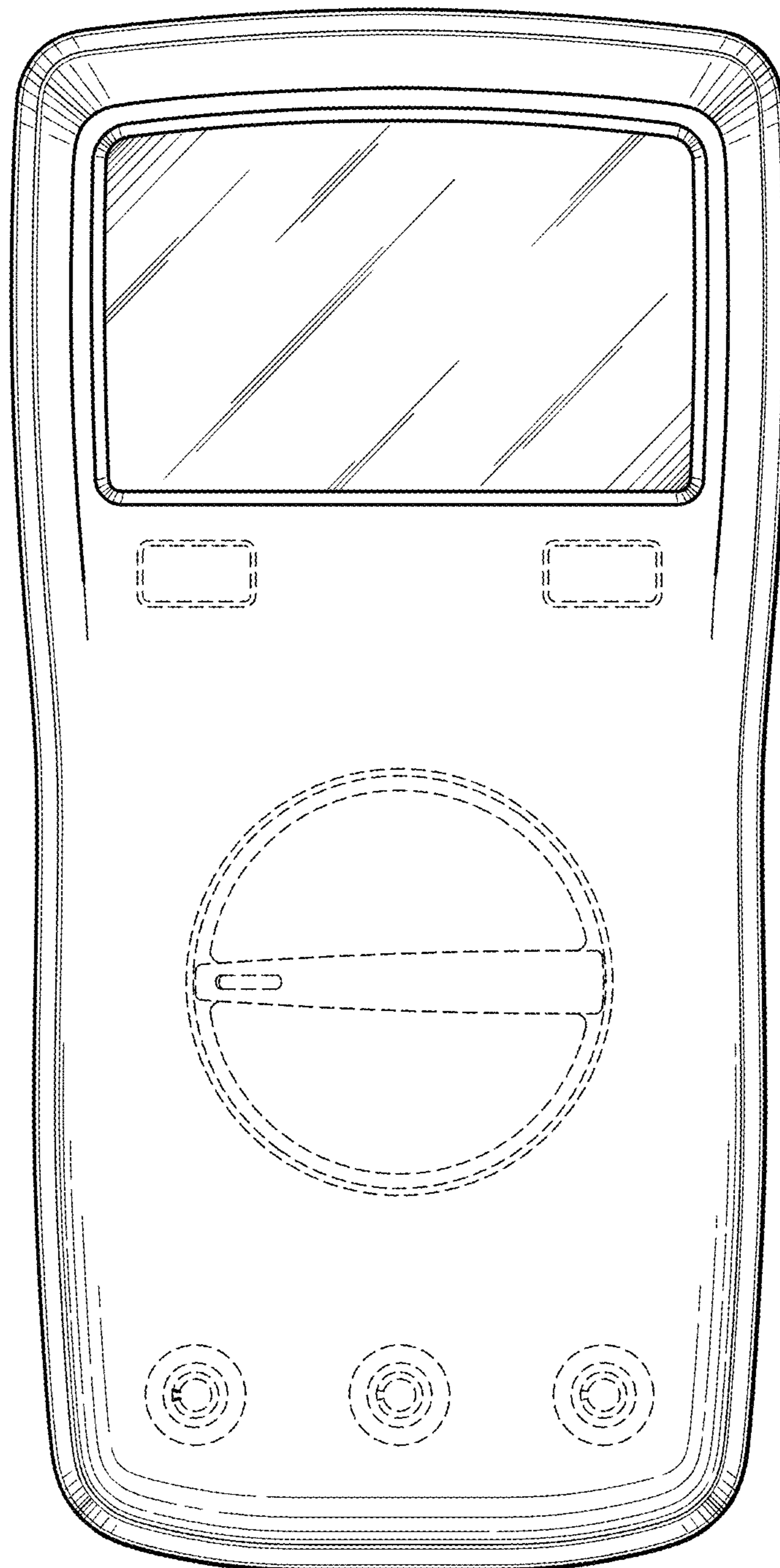


Fig. 8.

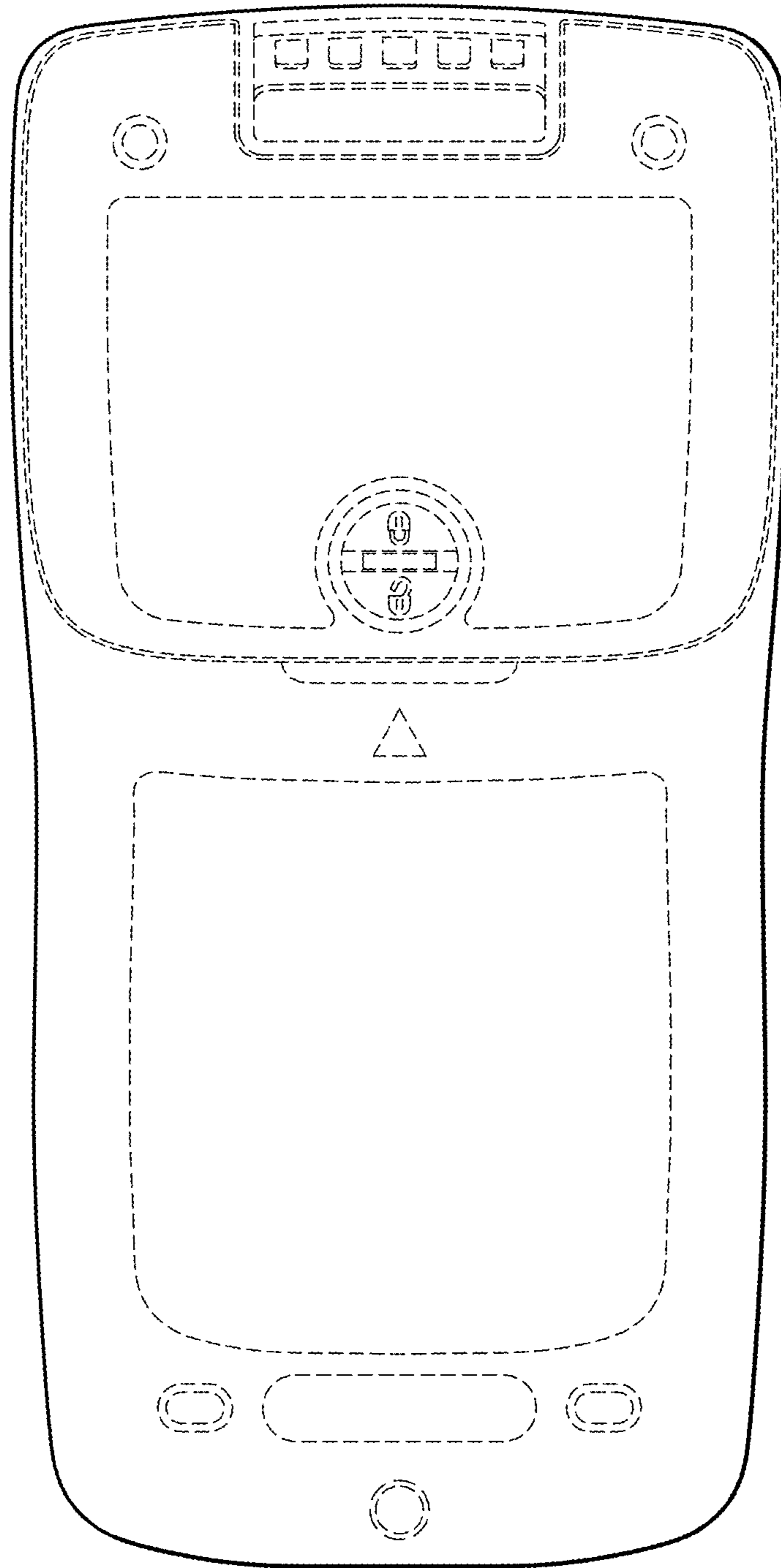


Fig. 9.

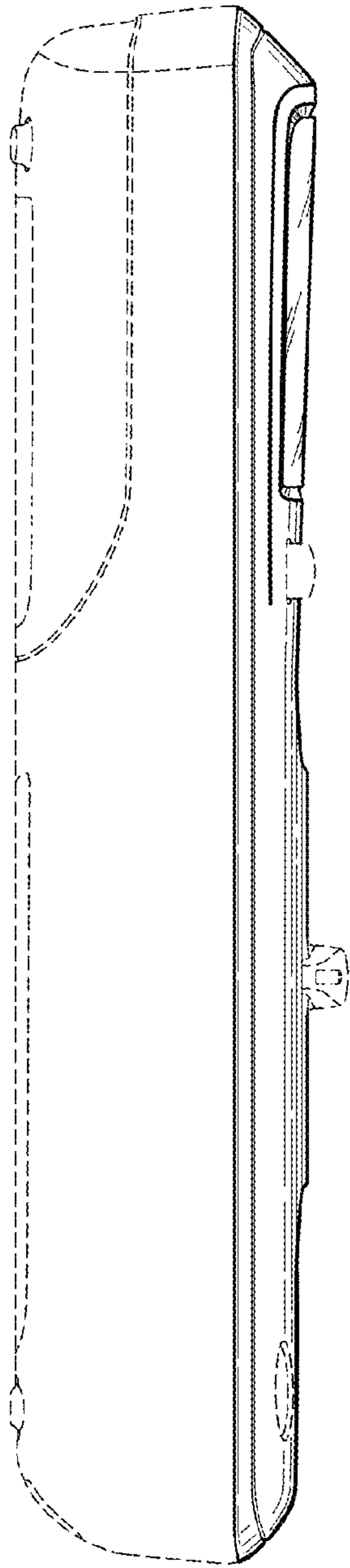


Fig. 10.

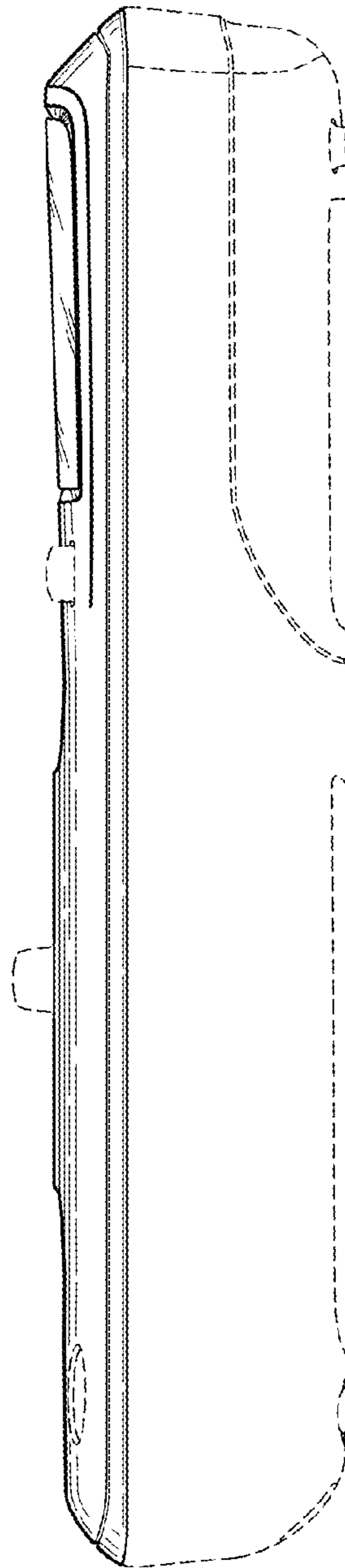


Fig. 11.

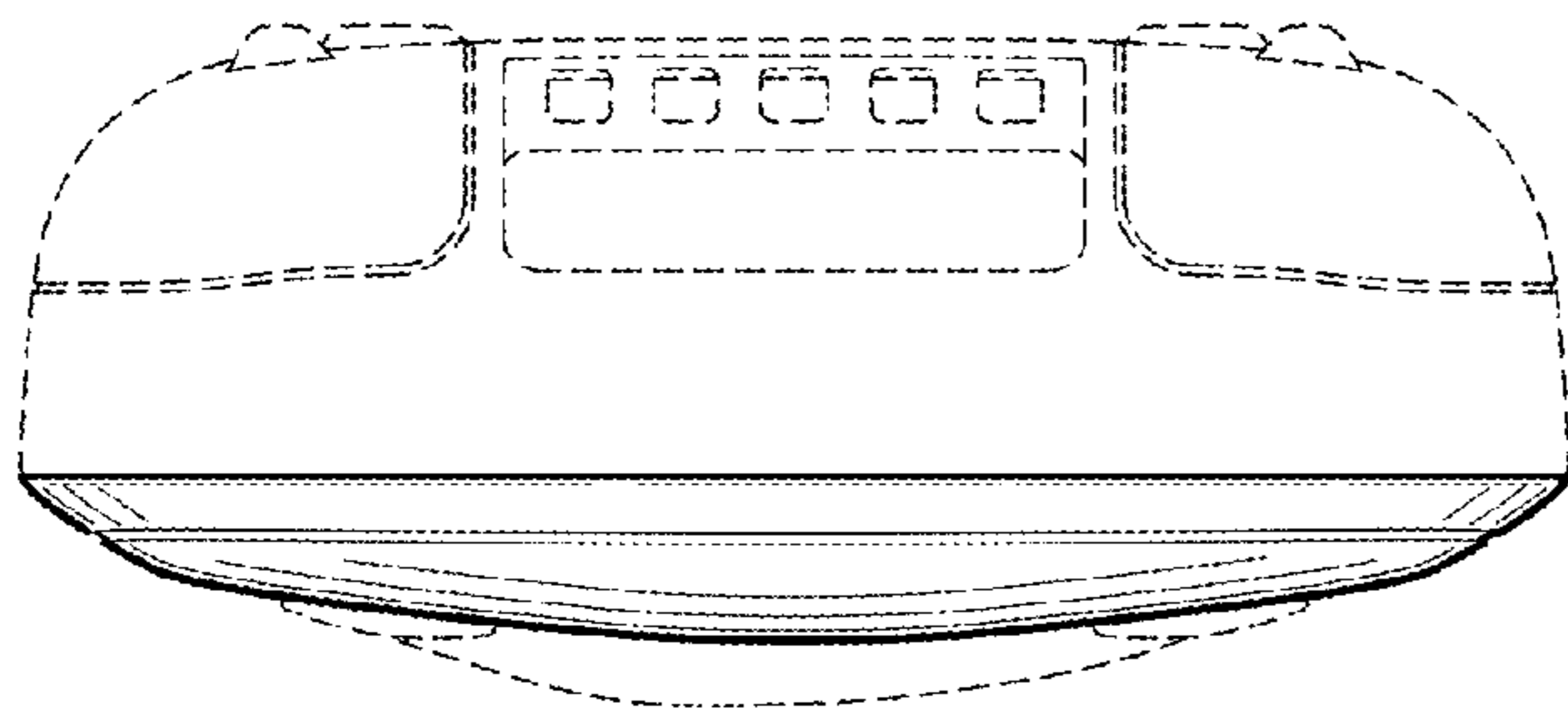


Fig. 12.

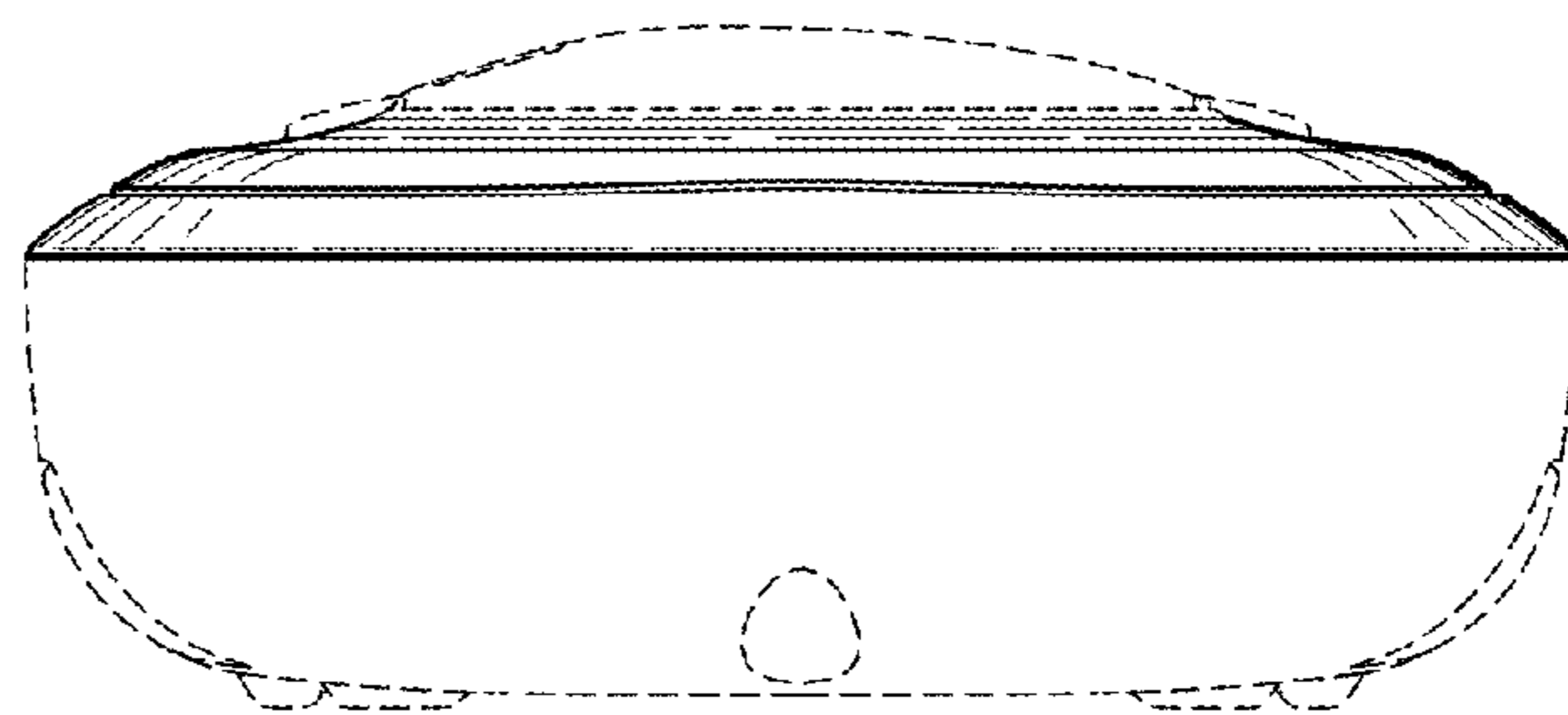


Fig. 13.

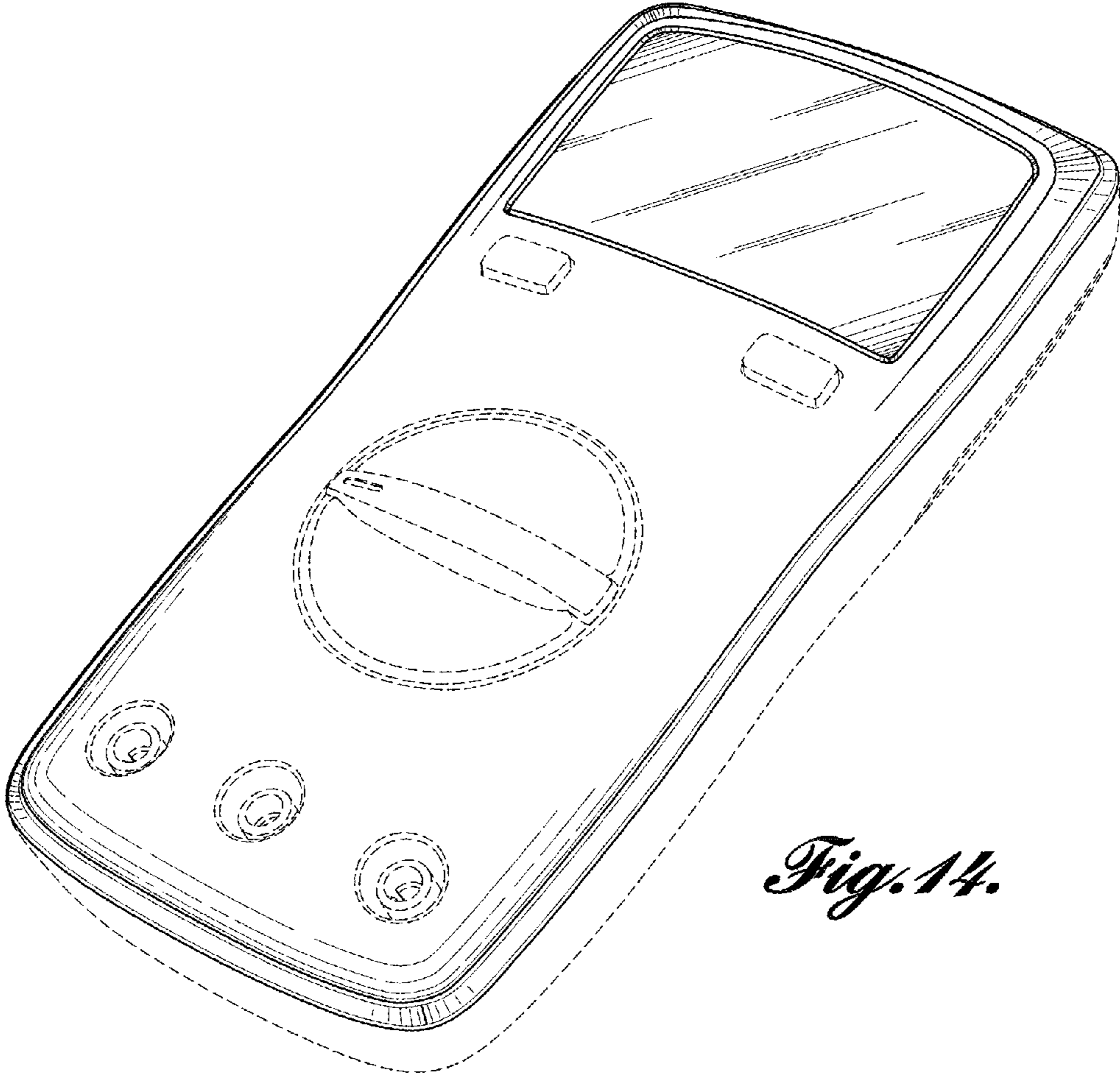


Fig. 14.