



US00D763712S

(12) **United States Design Patent**  
**Recoura-Massaquant et al.**

(10) **Patent No.:** **US D763,712 S**  
(45) **Date of Patent:** **\*\* Aug. 16, 2016**

(54) **PORTABLE TEST INSTRUMENT**

(71) Applicant: **EXFO INC.**, Quebec (CA)

(72) Inventors: **Pascal Recoura-Massaquant**, Quebec (CA); **Patrice Gonay**, St-Gabriel-de-Valcartier (CA); **Hicham Maalouf**, Dollard-des-Ormeaux (CA); **Sylvain Bilodeau**, Lévis (CA)

(73) Assignee: **EXFO INC.**, Québec, QC

(\*\*) Term: **14 Years**

(21) Appl. No.: **29/525,600**

(22) Filed: **Apr. 30, 2015**

(51) **LOC (10) Cl.** ..... **10-04**

(52) **U.S. Cl.**  
USPC ..... **D10/75; D10/78**

(58) **Field of Classification Search**  
USPC ..... D10/75, 78  
CPC . G01N 21/47; G01N 21/4738; G01N 21/474;  
G01N 21/4785; G01N 21/4788; G01N  
21/4795; G01N 21/49; G01N 21/51; G01N  
21/53; G01N 21/532; G01N 21/534; G01N  
21/538; G01N 21/55; G01N 21/552; G01N  
21/553; G01N 21/554

See application file for complete search history.

(56) **References Cited**

**U.S. PATENT DOCUMENTS**

4,929,084 A \* 5/1990 Mast ..... G01J 3/02  
356/328  
5,260,584 A \* 11/1993 Popson ..... G01N 21/474  
250/205

(Continued)

**OTHER PUBLICATIONS**

EXFO Inc., Specification Sheet, FTB-1 Platform, Oct. 2012, pp. 1-8, Canada.

*Primary Examiner* — Antoine D Davis

(74) *Attorney, Agent, or Firm* — Norton Rose Fulbright Canada LLP; Alexandre Dacust

(57) **CLAIM**

The ornamental design for a portable test instrument, as shown and described.

**DESCRIPTION**

FIG. 1 is an oblique view of a first variant of the portable test instrument, taken from the front and below, showing my new design;

FIG. 2 is a front elevation view thereof;

FIG. 3 is a top plan view thereof;

FIG. 4 is a rear elevation view thereof;

FIG. 5 is a bottom plan thereof;

FIG. 6 is a right side elevation view thereof;

FIG. 7 is a left side elevation view thereof;

FIG. 8 is another oblique view thereof, taken from the rear and above, where a stand and a connector door of the instrument are in a deployed state;

FIG. 9 is another oblique view thereof, taken from the front and above;

FIG. 10 is an oblique view of a second variant of the portable test instrument, taken from the front and below;

FIG. 11 is a front elevation view thereof;

FIG. 12 is a top plan view thereof;

FIG. 13 is a rear elevation view thereof;

FIG. 14 is a bottom plan thereof;

FIG. 15 is a right side elevation view thereof;

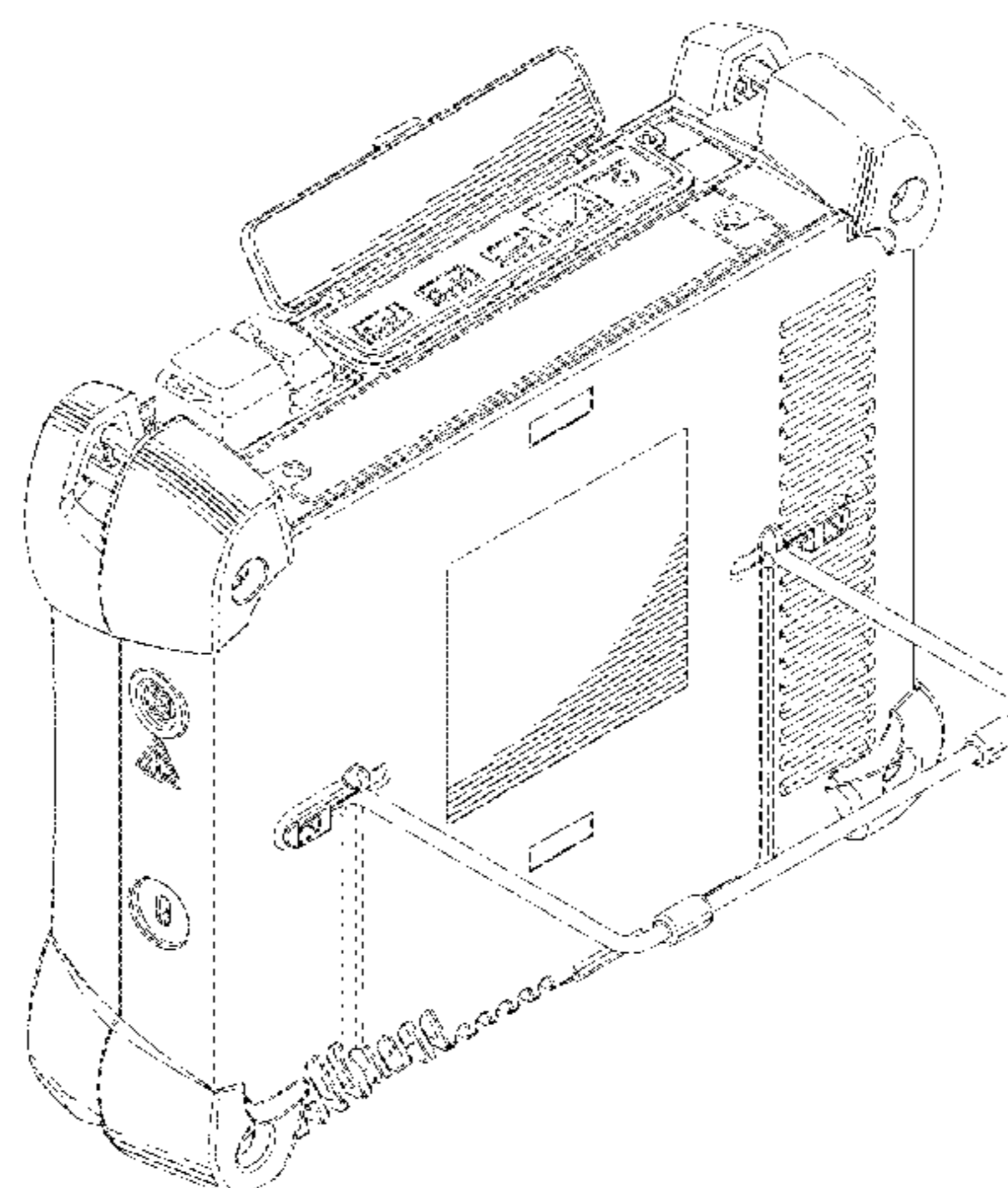
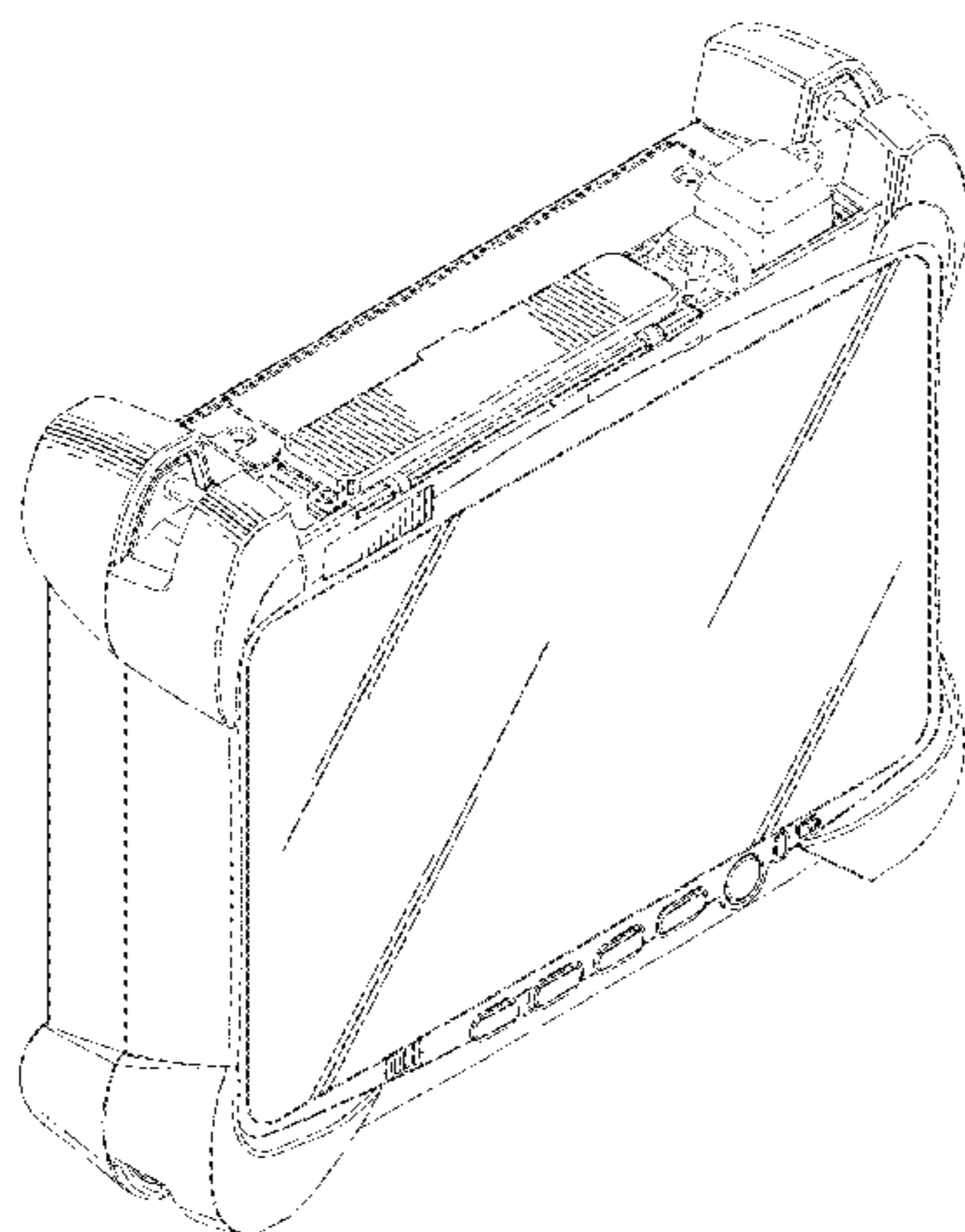
FIG. 16 is a left side elevation view thereof;

FIG. 17 is another oblique view thereof, taken from the rear and above, where a stand and a connector door of the instrument are in a deployed state; and,

FIG. 18 is another oblique view thereof, taken from the front and above;

The dashed line showing of structural lines is included for the purpose of illustrating non-claimed subject matter and forms no part of the claimed design.

**1 Claim, 12 Drawing Sheets**



(56)

References Cited

U.S. PATENT DOCUMENTS

D366,220 S \* 1/1996 Sakamoto ..... D10/65  
 D430,048 S \* 8/2000 Hoofnagle ..... D10/78  
 D444,085 S \* 6/2001 Wrisley ..... D10/78  
 D474,413 S \* 5/2003 Hoofnagle ..... D10/78  
 6,738,454 B2 \* 5/2004 Mohammadian ..... H04M 3/244  
 379/1.01  
 6,801,307 B2 \* 10/2004 Ziegler ..... H04M 3/308  
 356/73.1  
 D518,394 S \* 4/2006 Lipscomb ..... D10/78  
 D543,475 S \* 5/2007 Janky ..... D10/78  
 D543,878 S \* 6/2007 Castillo ..... D10/78  
 D552,496 S \* 10/2007 Janky ..... D10/78

7,302,361 B2 \* 11/2007 Baleta ..... H04L 12/2697  
 379/21  
 D570,716 S \* 6/2008 Gerold ..... D10/78  
 D572,615 S \* 7/2008 Gerold ..... D10/78  
 D596,749 S \* 7/2009 Johnson ..... D24/211  
 D596,969 S \* 7/2009 Igelmund ..... D10/75  
 D606,432 S \* 12/2009 Winterhalter ..... D10/104.1  
 D640,580 S \* 6/2011 Bibeau ..... D10/78  
 D649,893 S \* 12/2011 Beeke ..... D10/78  
 D652,747 S \* 1/2012 Ferris ..... D10/49  
 D668,564 S \* 10/2012 Poirier ..... D10/70  
 D710,222 S \* 8/2014 Nadeau ..... D10/65  
 D714,171 S \* 9/2014 Hoofnagle ..... D10/78  
 D739,277 S \* 9/2015 Martel ..... D10/78

\* cited by examiner

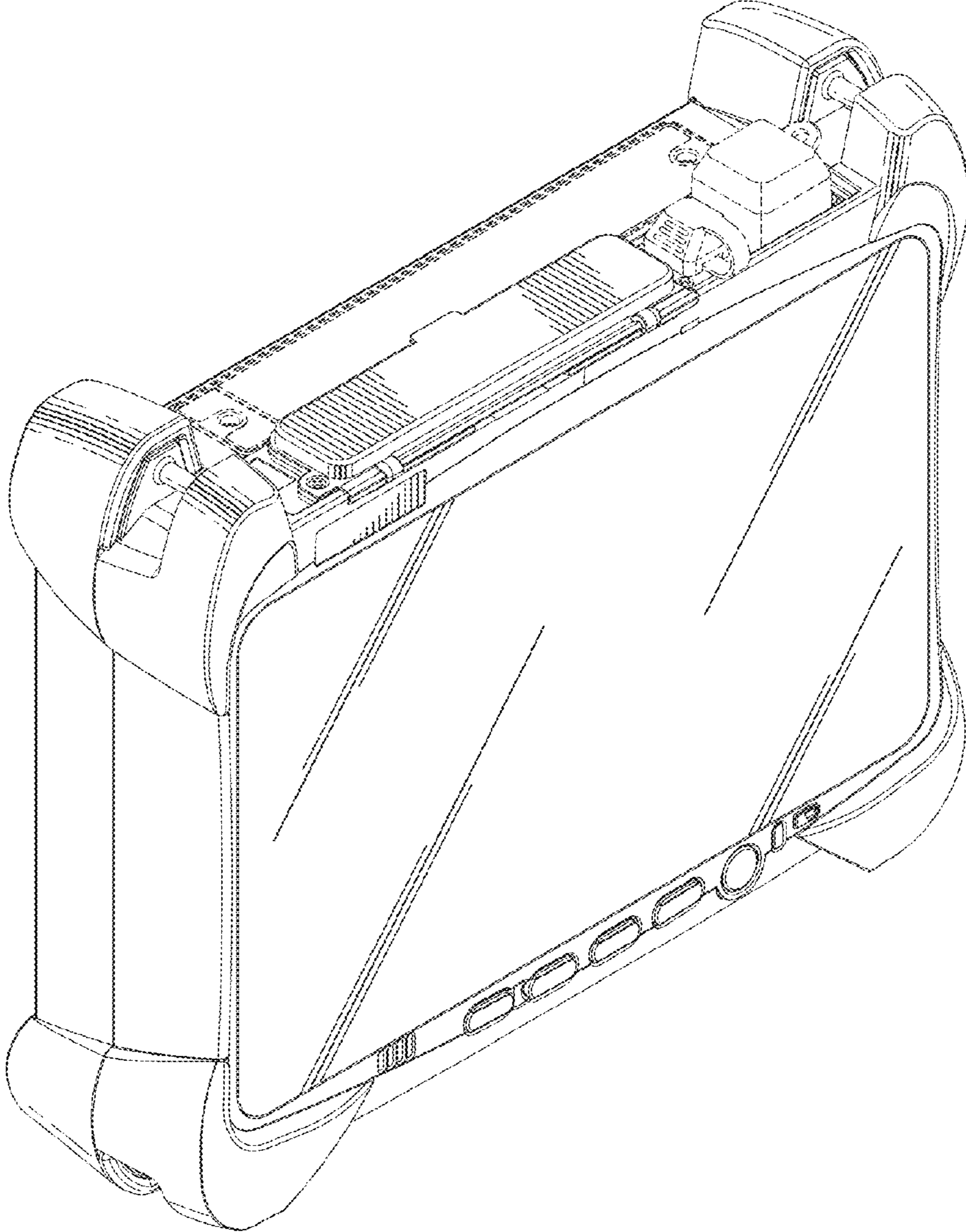


FIG 1



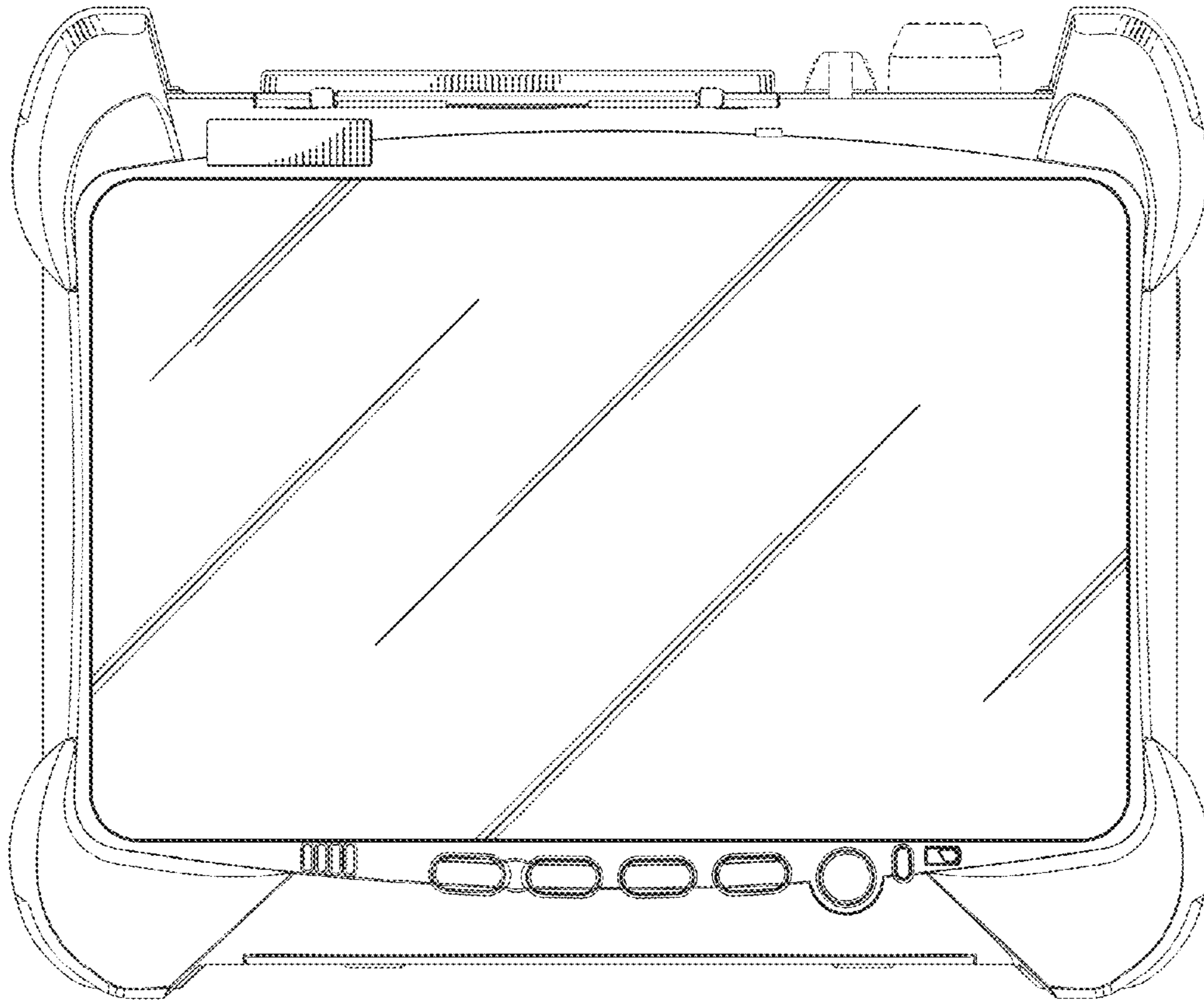


FIG 2

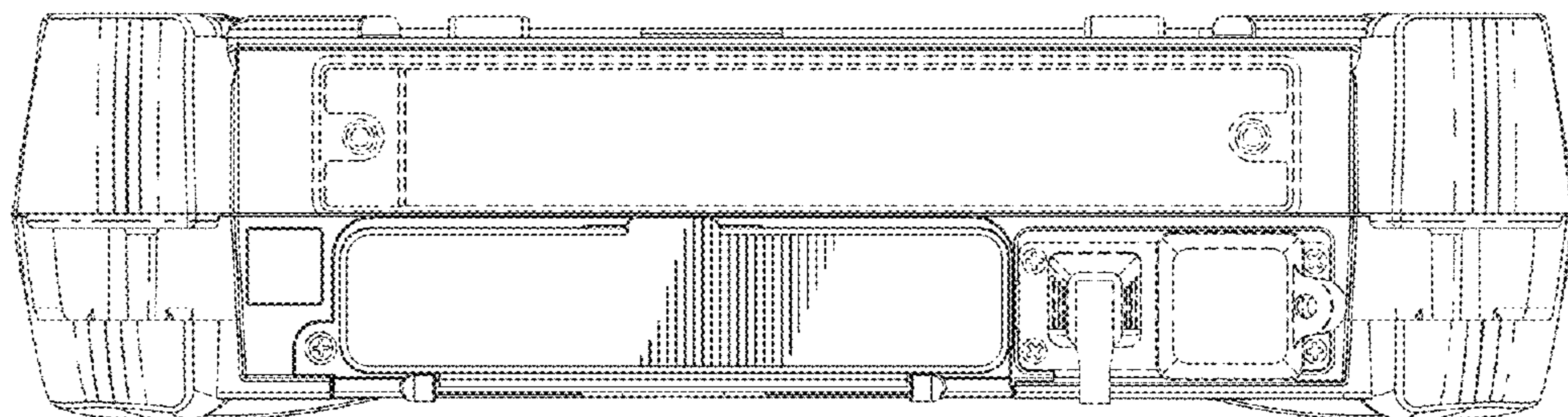


FIG 3

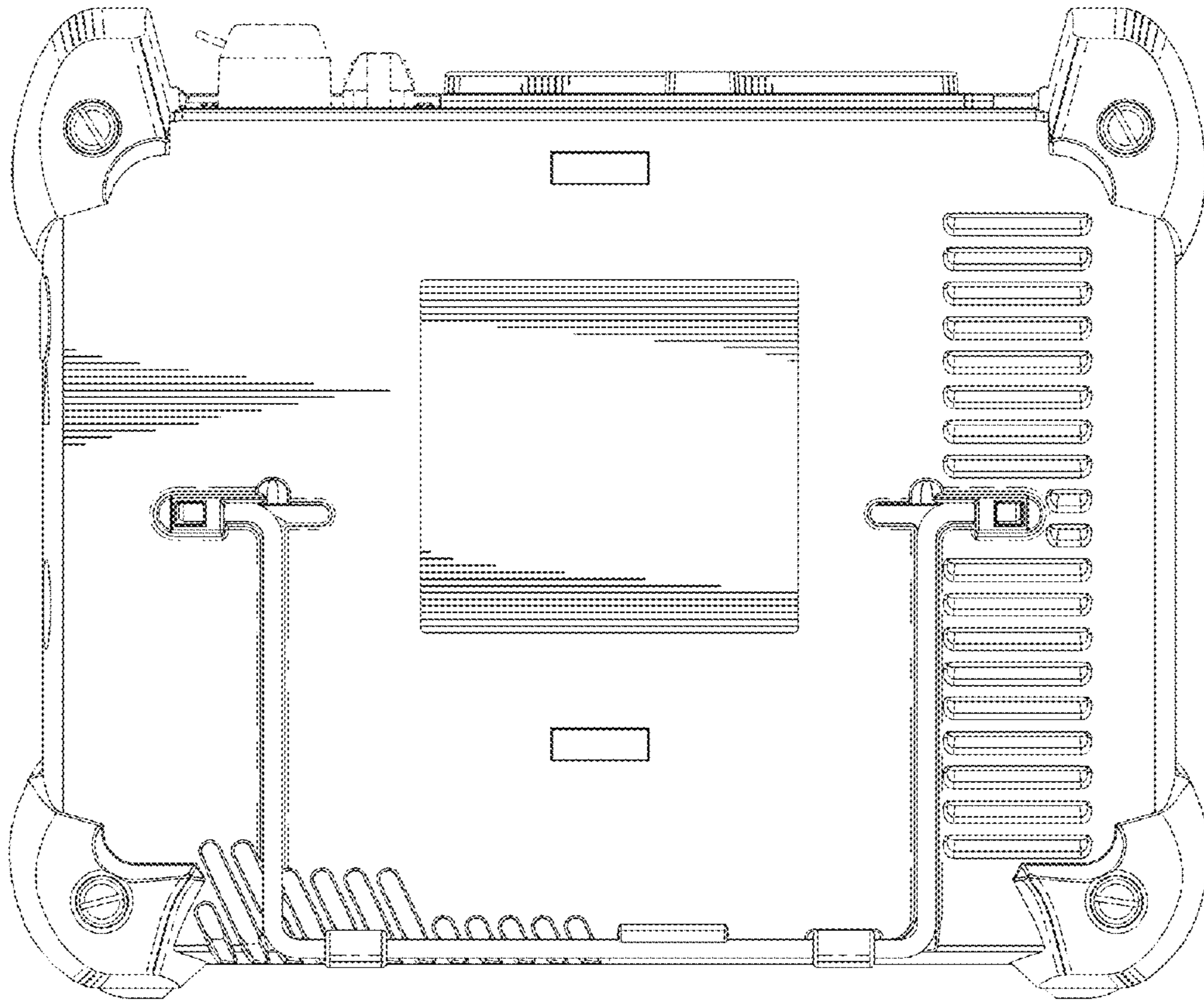


FIG 4

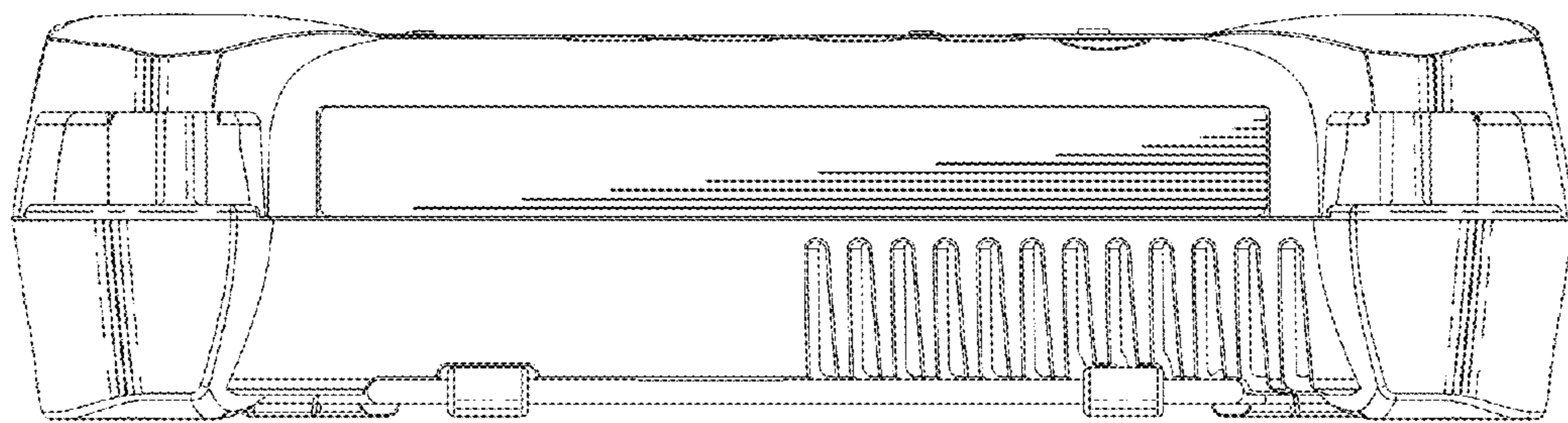


FIG 5

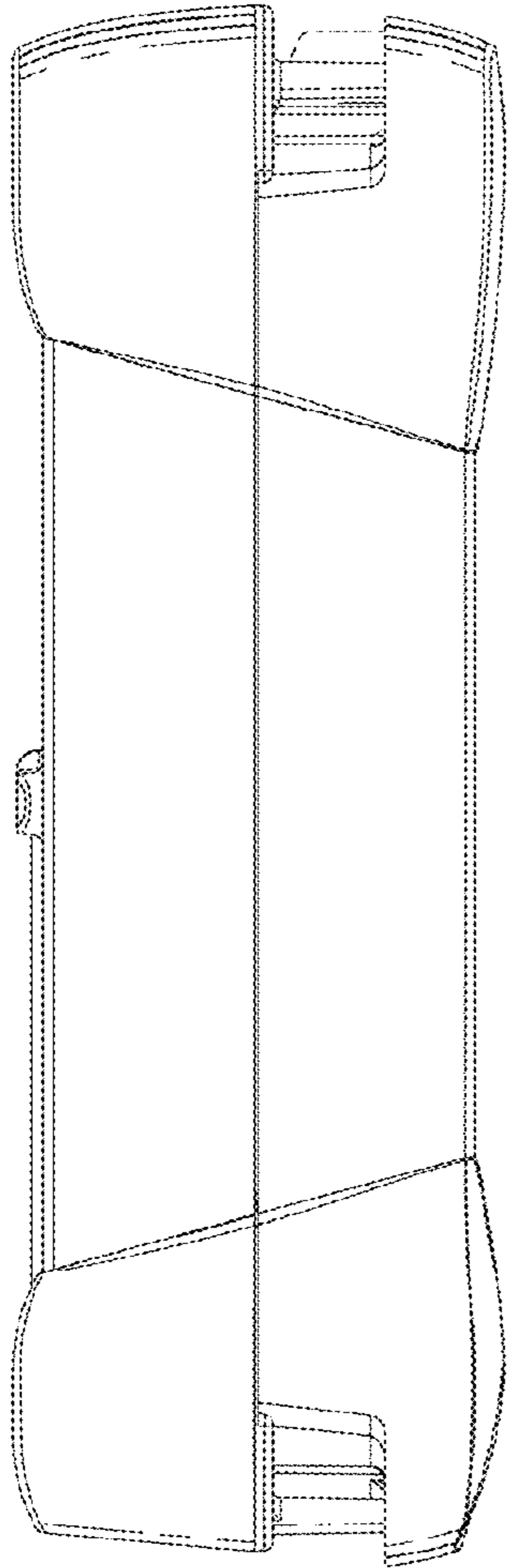


FIG 6

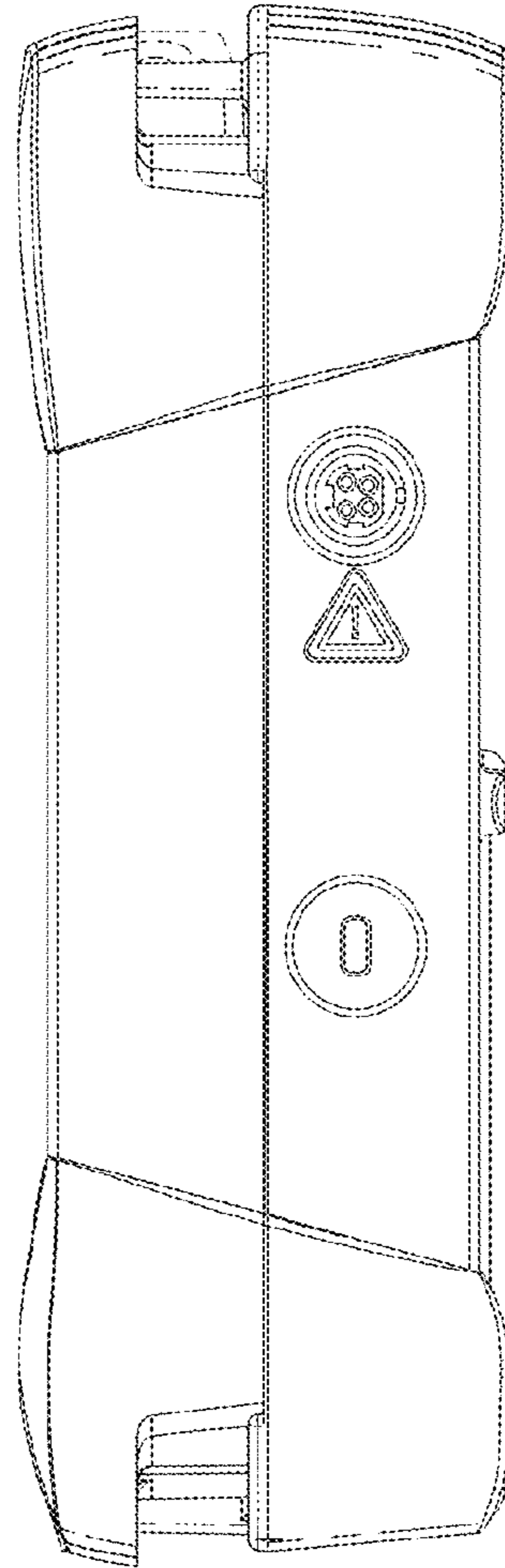


FIG 7



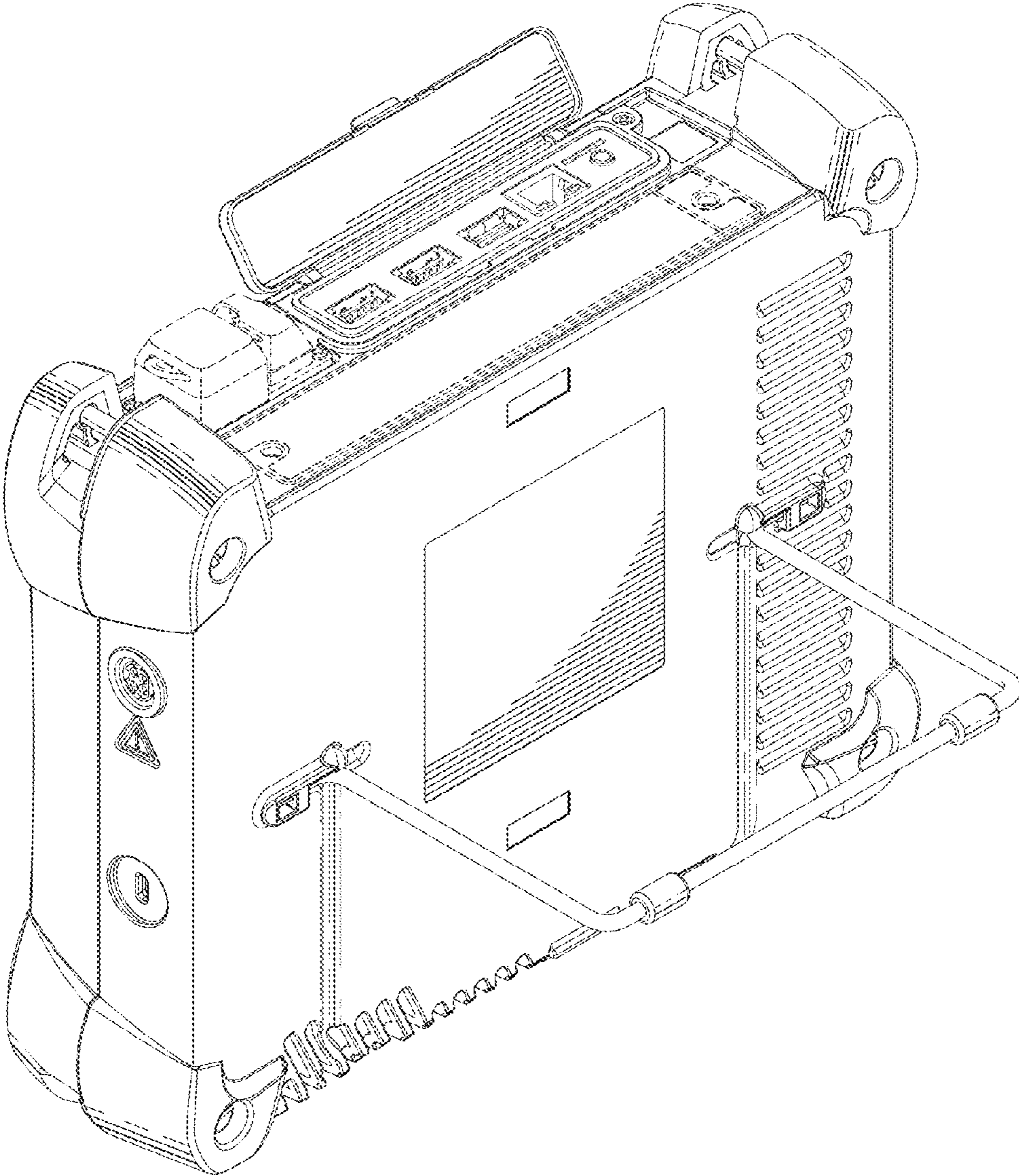


FIG 8

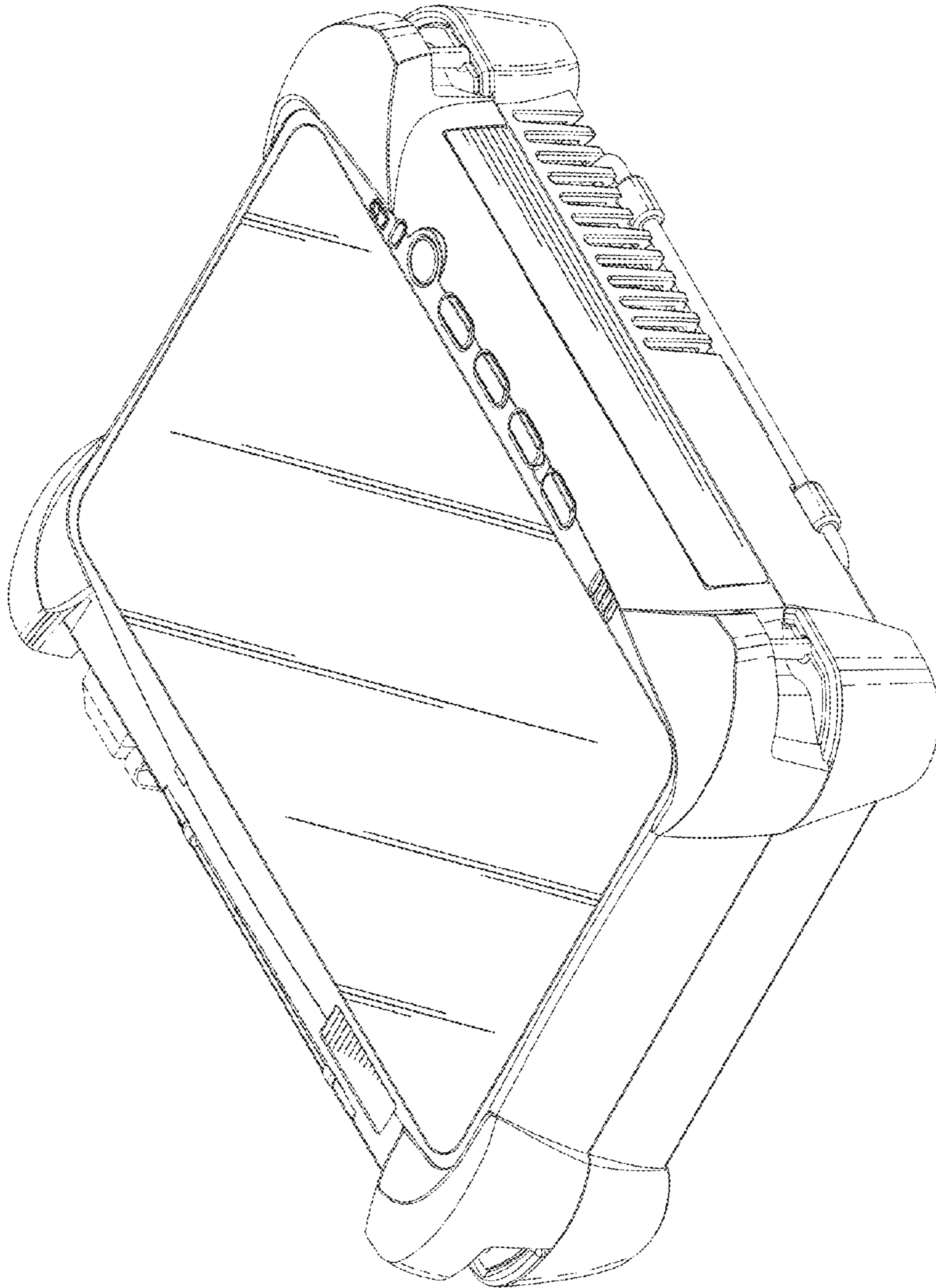


FIG. 8



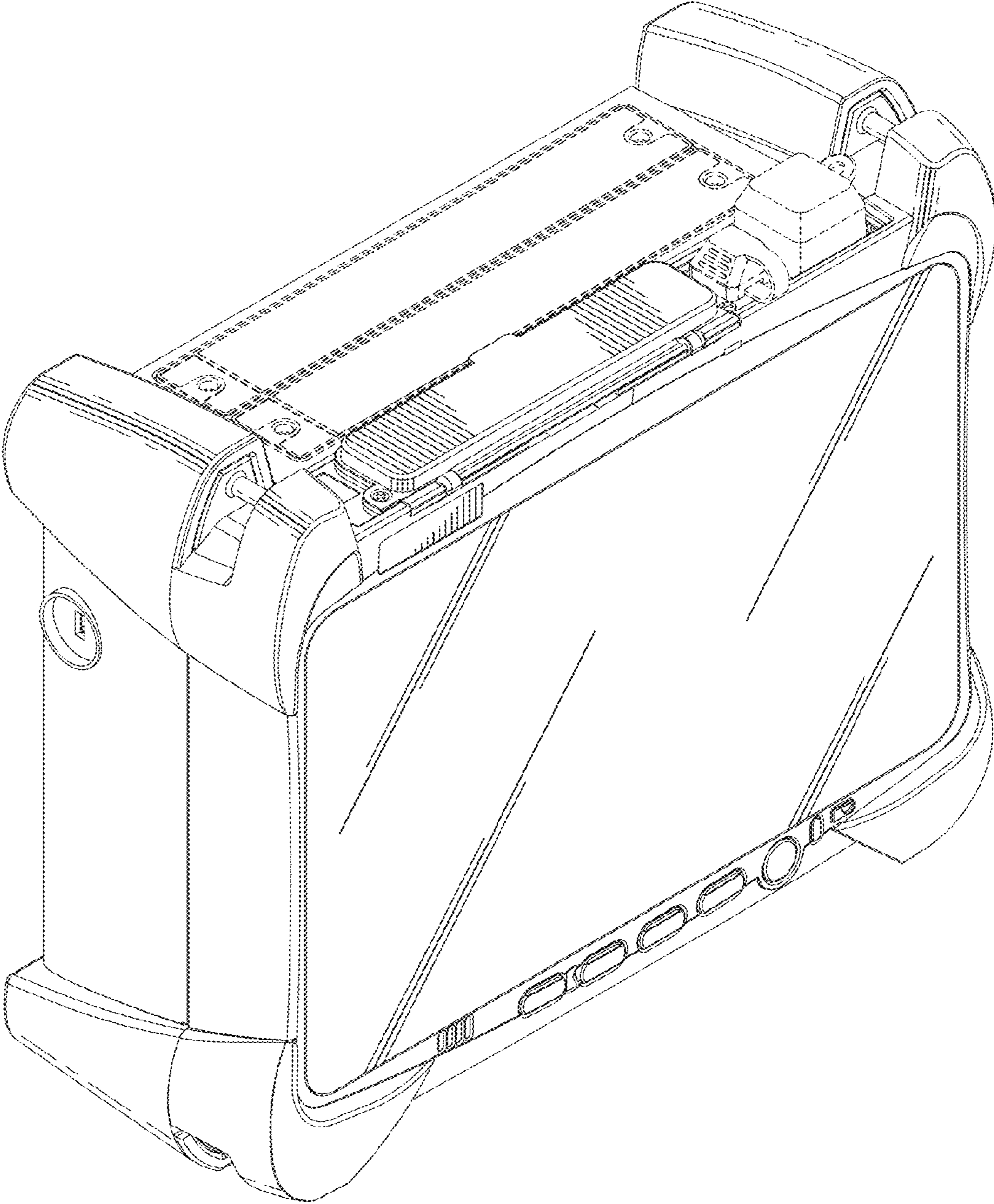


FIG 10

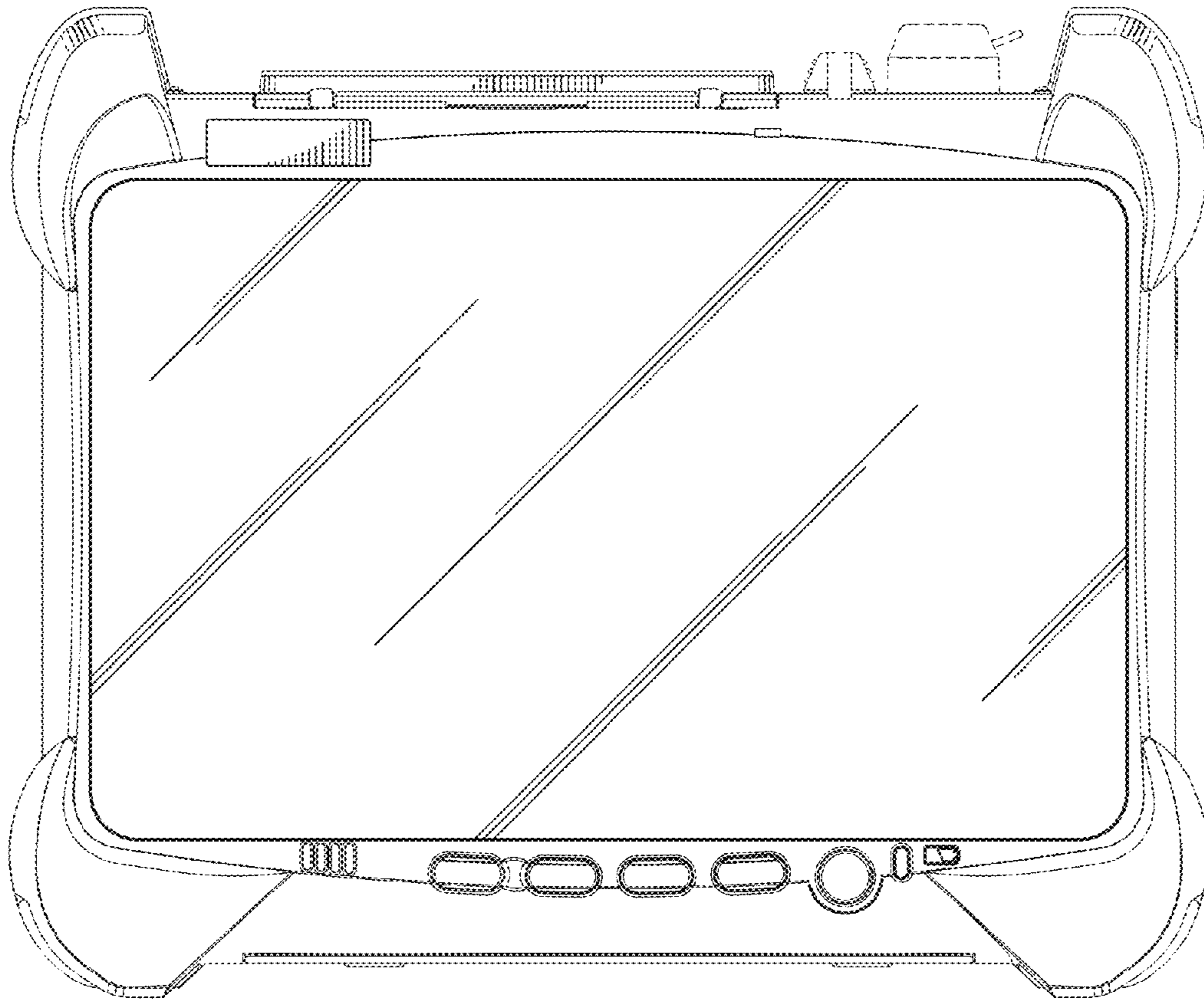


FIG 11

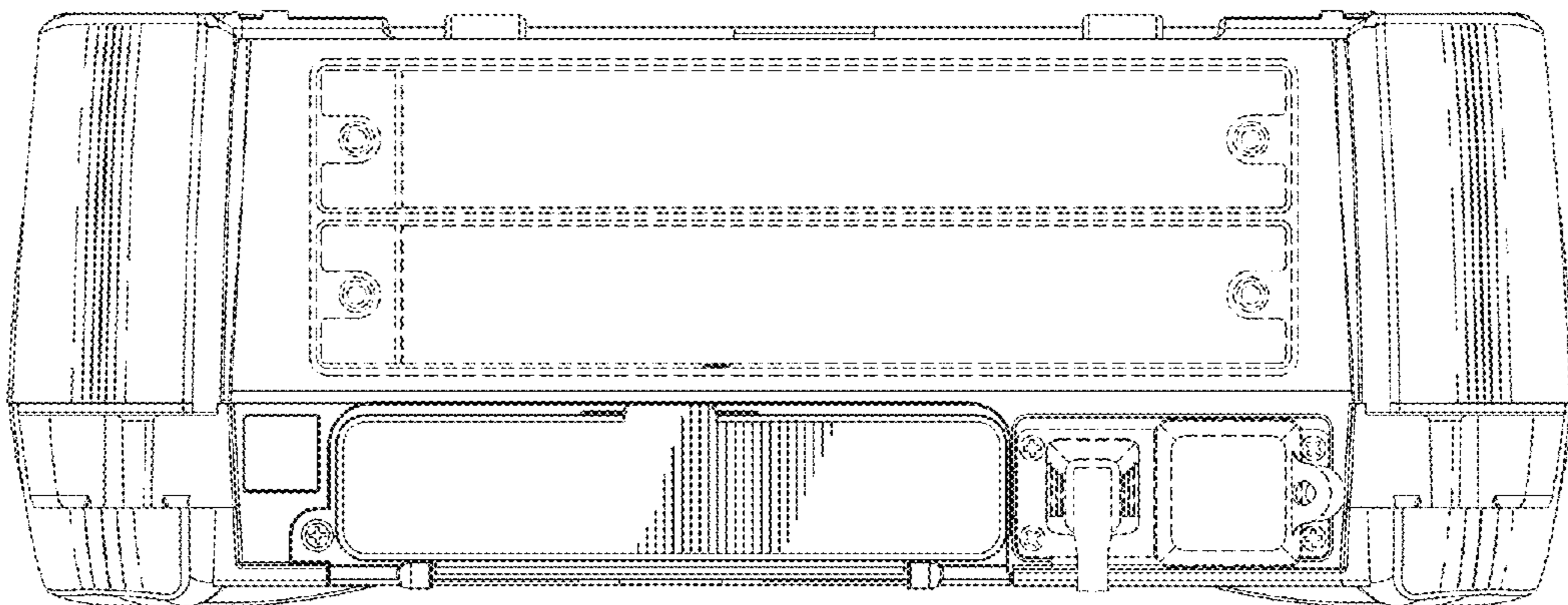


FIG 12

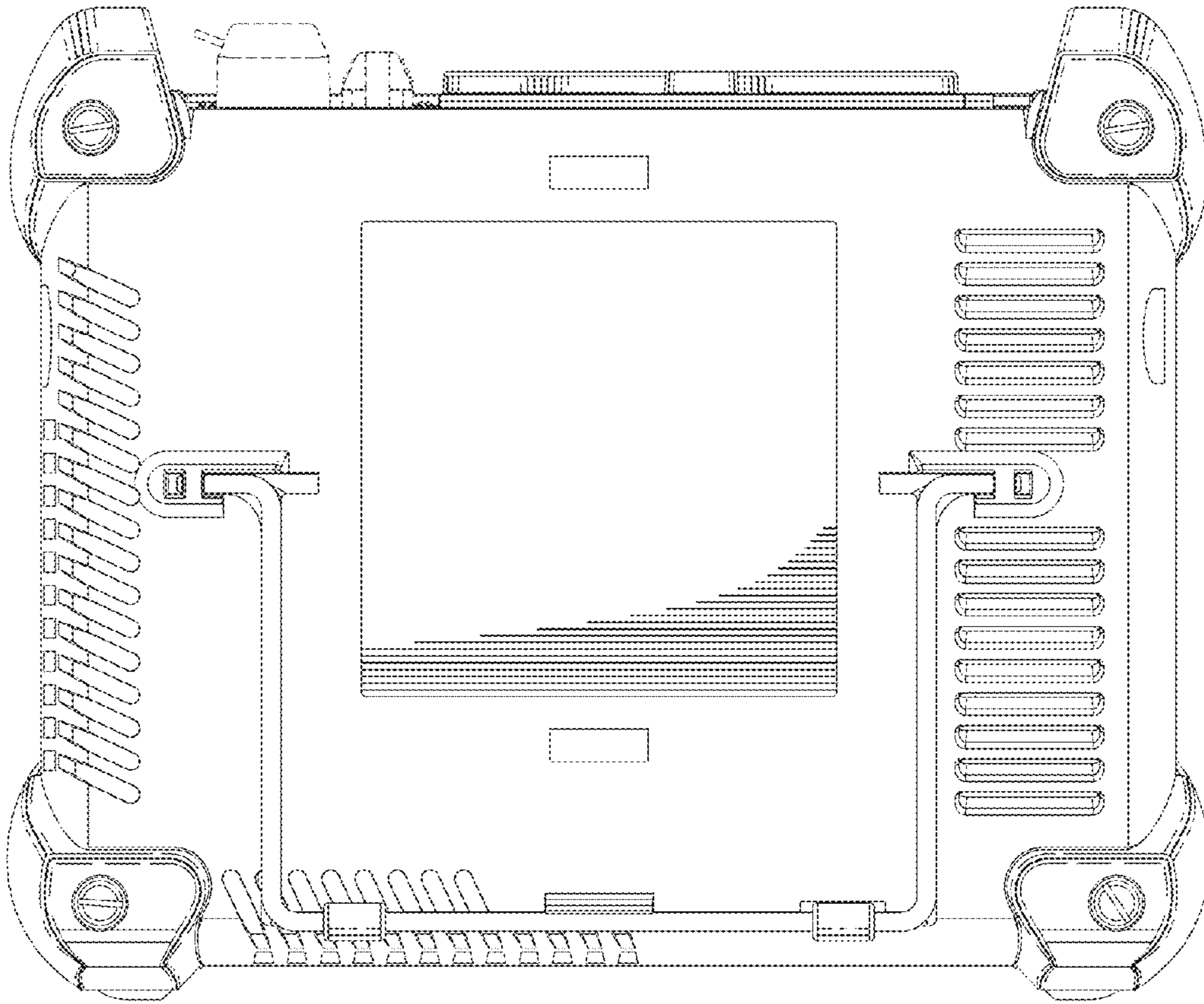


FIG 13

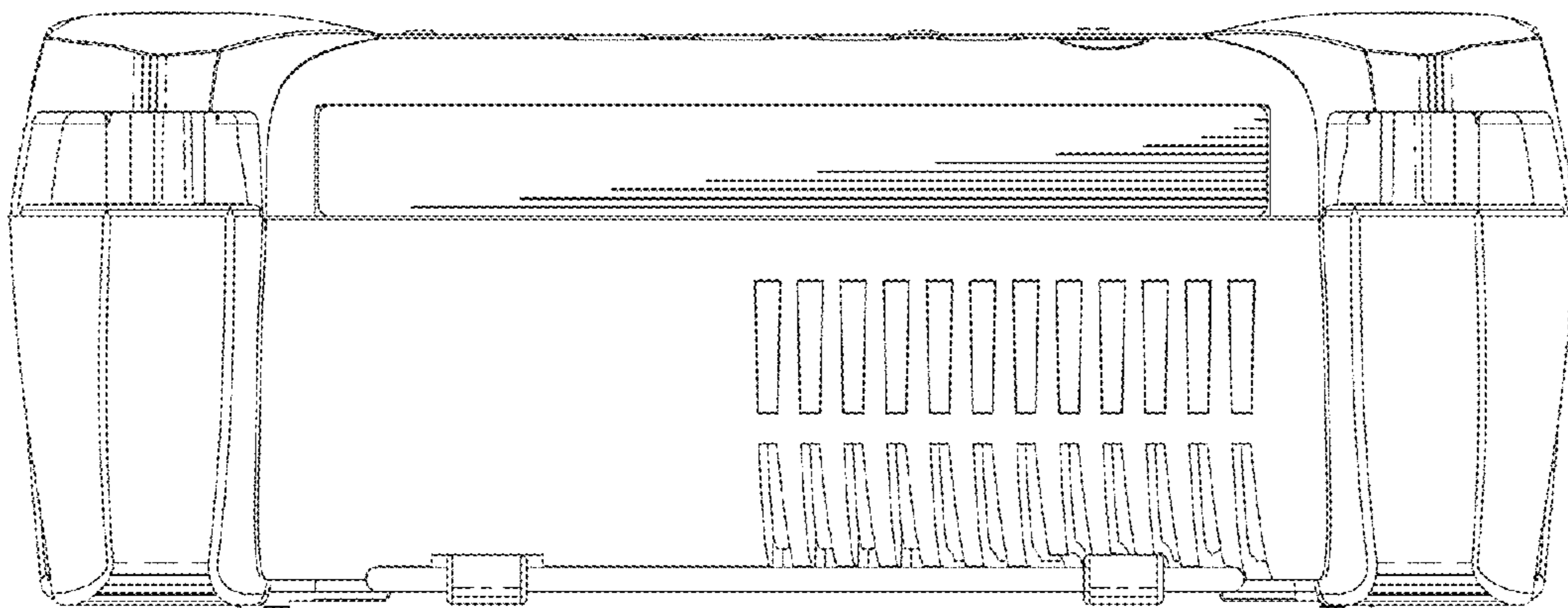


FIG 14



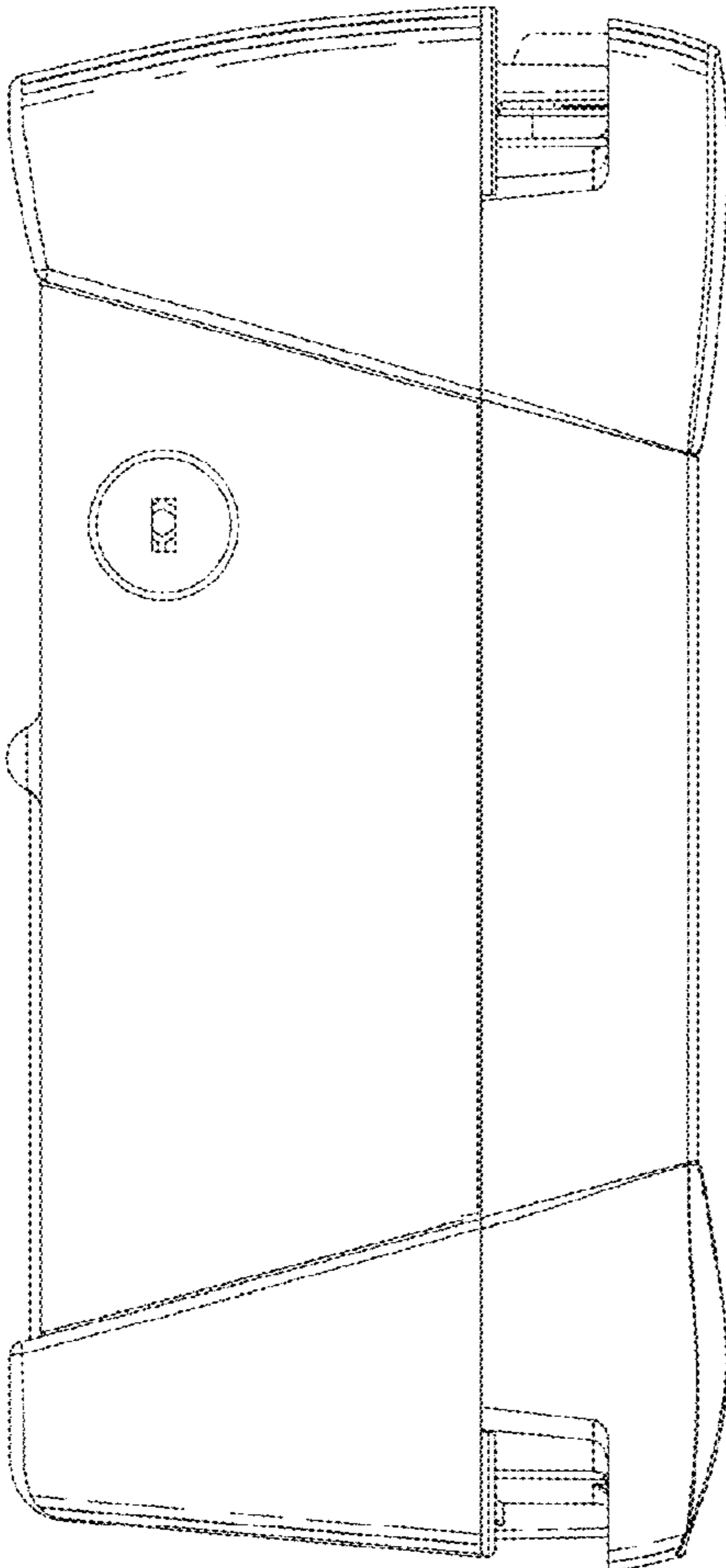


FIG 15

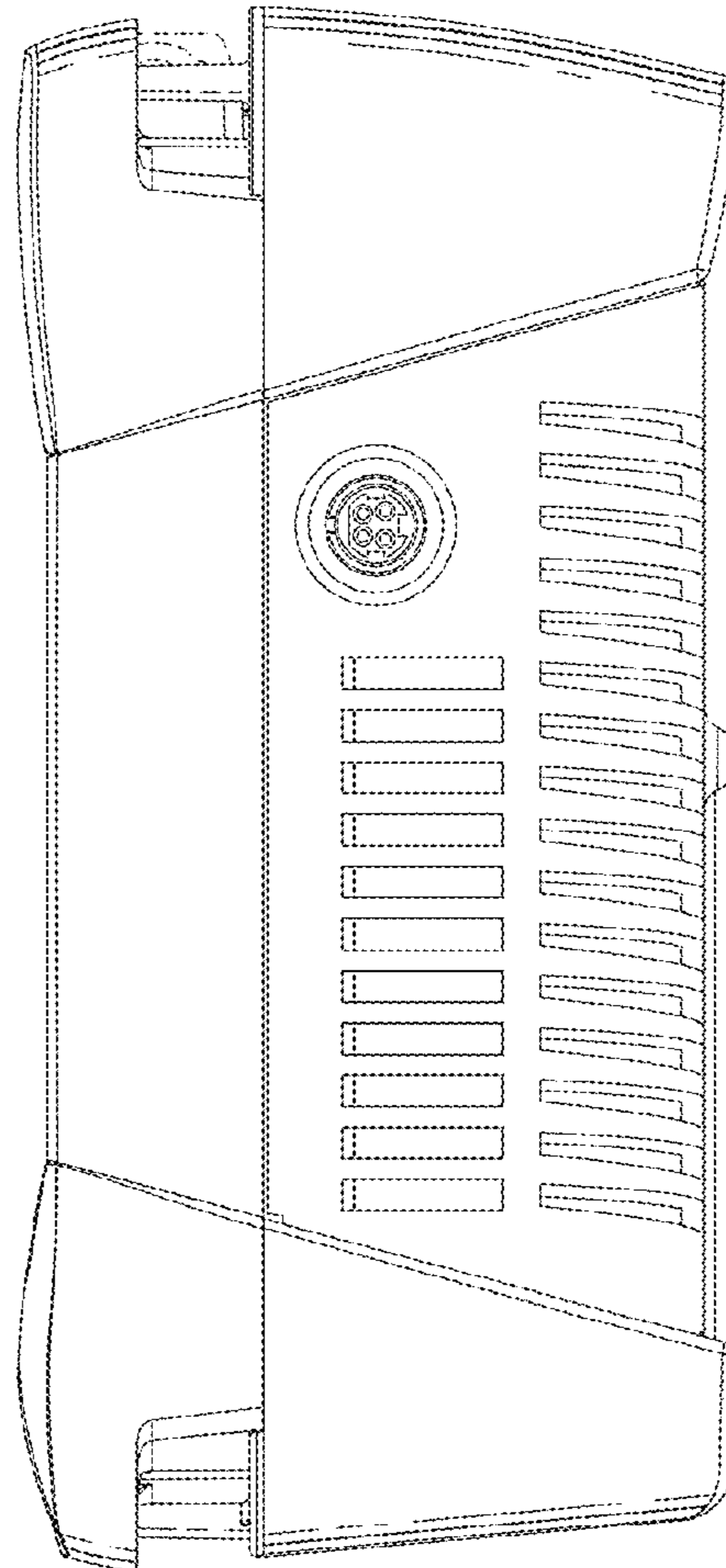


FIG 16

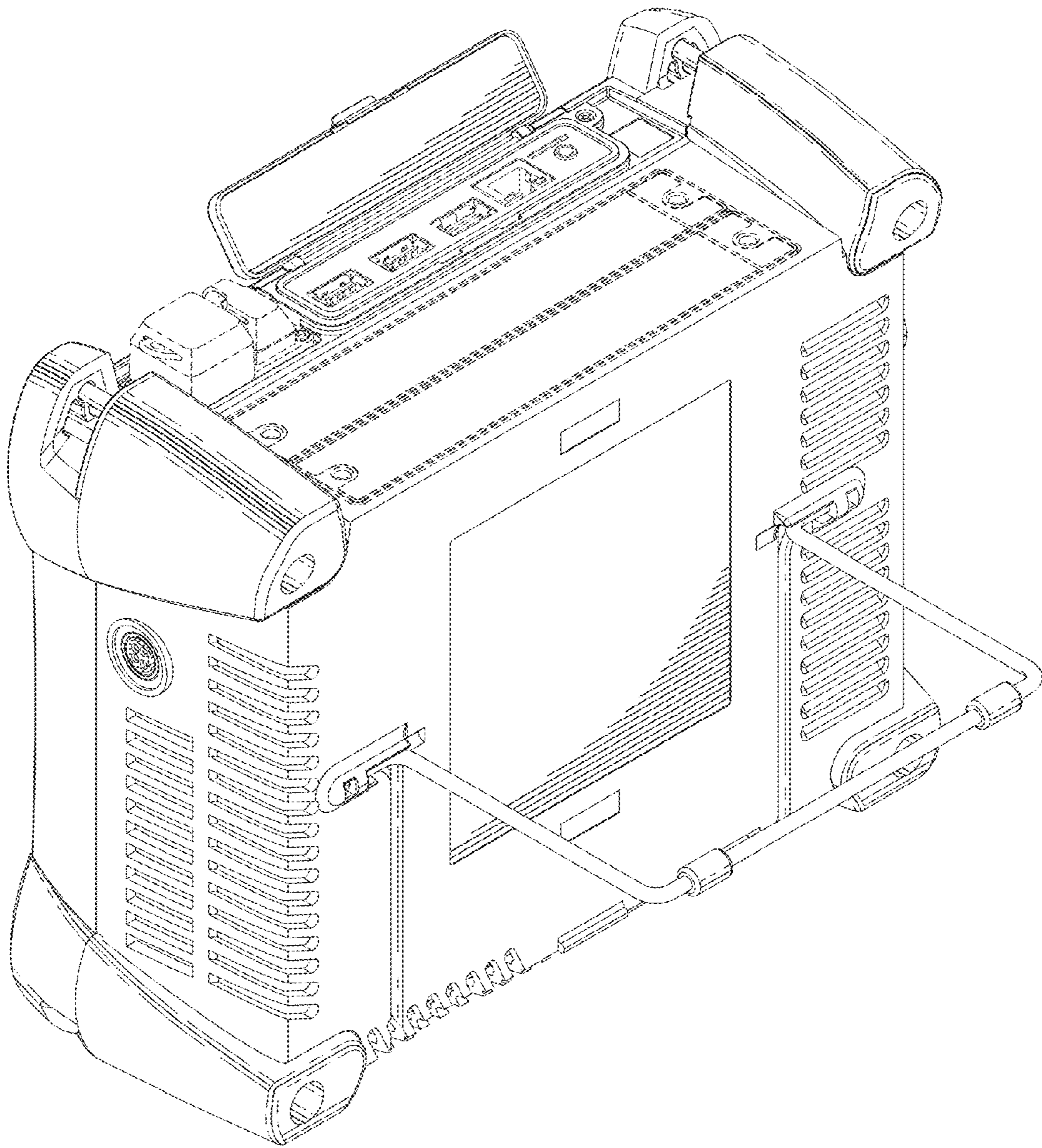


FIG 17

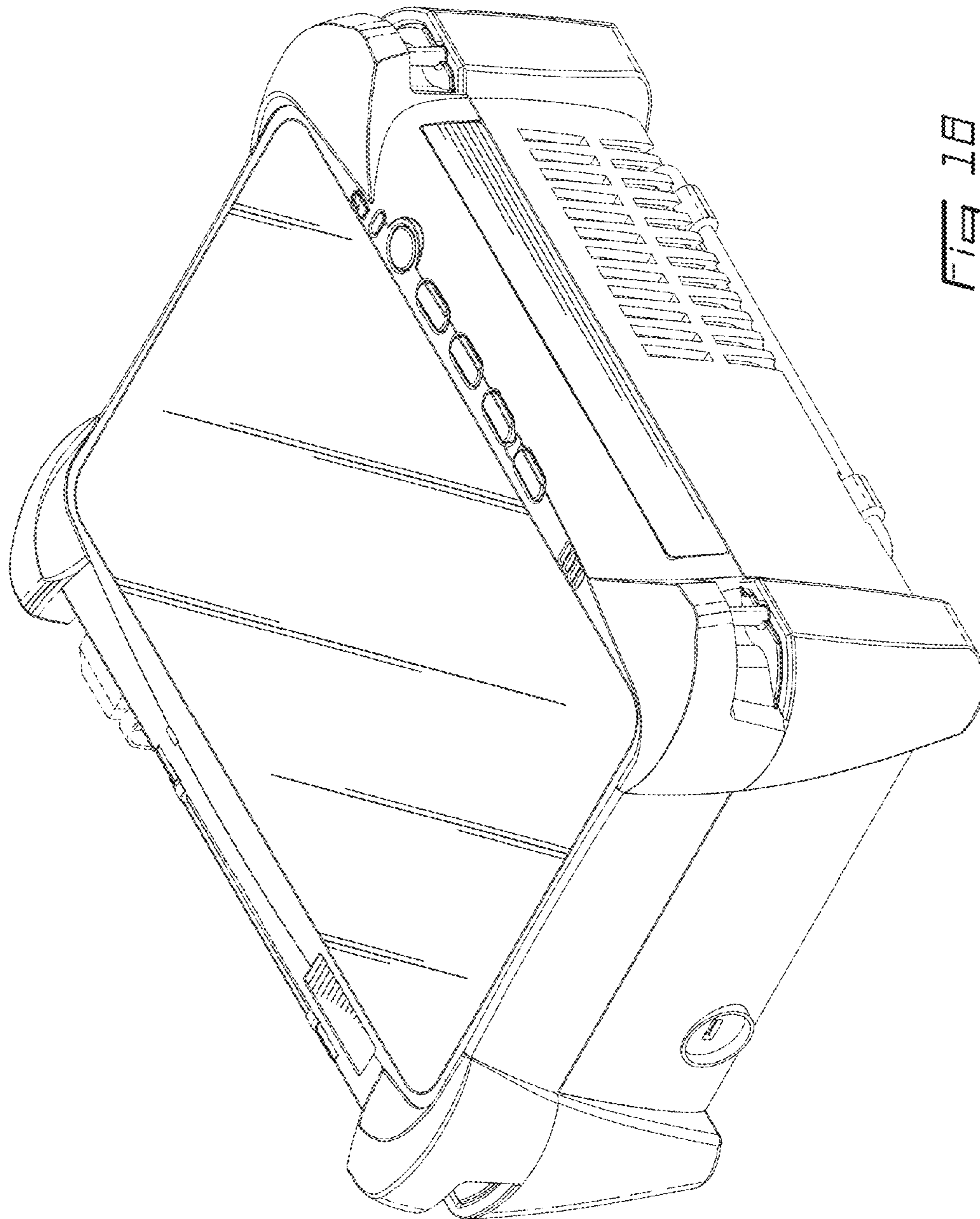


FIG. 18