



US00D763709S

(12) **United States Design Patent**  
**Camacho de la Concha**

(10) **Patent No.:** **US D763,709 S**  
(45) **Date of Patent:** **\*\* Aug. 16, 2016**

- (54) **MEASUREMENT TOOL**
- (71) Applicant: **Little Caesar Enterprises, Inc.**, Detroit, MI (US)
- (72) Inventor: **Ricardo Camacho de la Concha**, Mexico (MX)
- (73) Assignee: **Little Caesar Enterprises, Inc.**, Detroit, MI (US)
- (\*\*) Term: **14 Years**
- (21) Appl. No.: **29/525,144**
- (22) Filed: **Apr. 27, 2015**
- (51) **LOC (10) Cl.** ..... **10-04**
- (52) **U.S. Cl.**  
USPC ..... **D10/64**
- (58) **Field of Classification Search**  
USPC ..... D10/64  
CPC ..... B26D 3/24; B26D 3/245  
See application file for complete search history.

- (56) **References Cited**  
U.S. PATENT DOCUMENTS  
583,695 A \* 6/1897 Stalons et al. .... B26D 3/245  
33/1 F  
1,330,861 A \* 2/1920 Gardner ..... G01B 3/00  
33/507

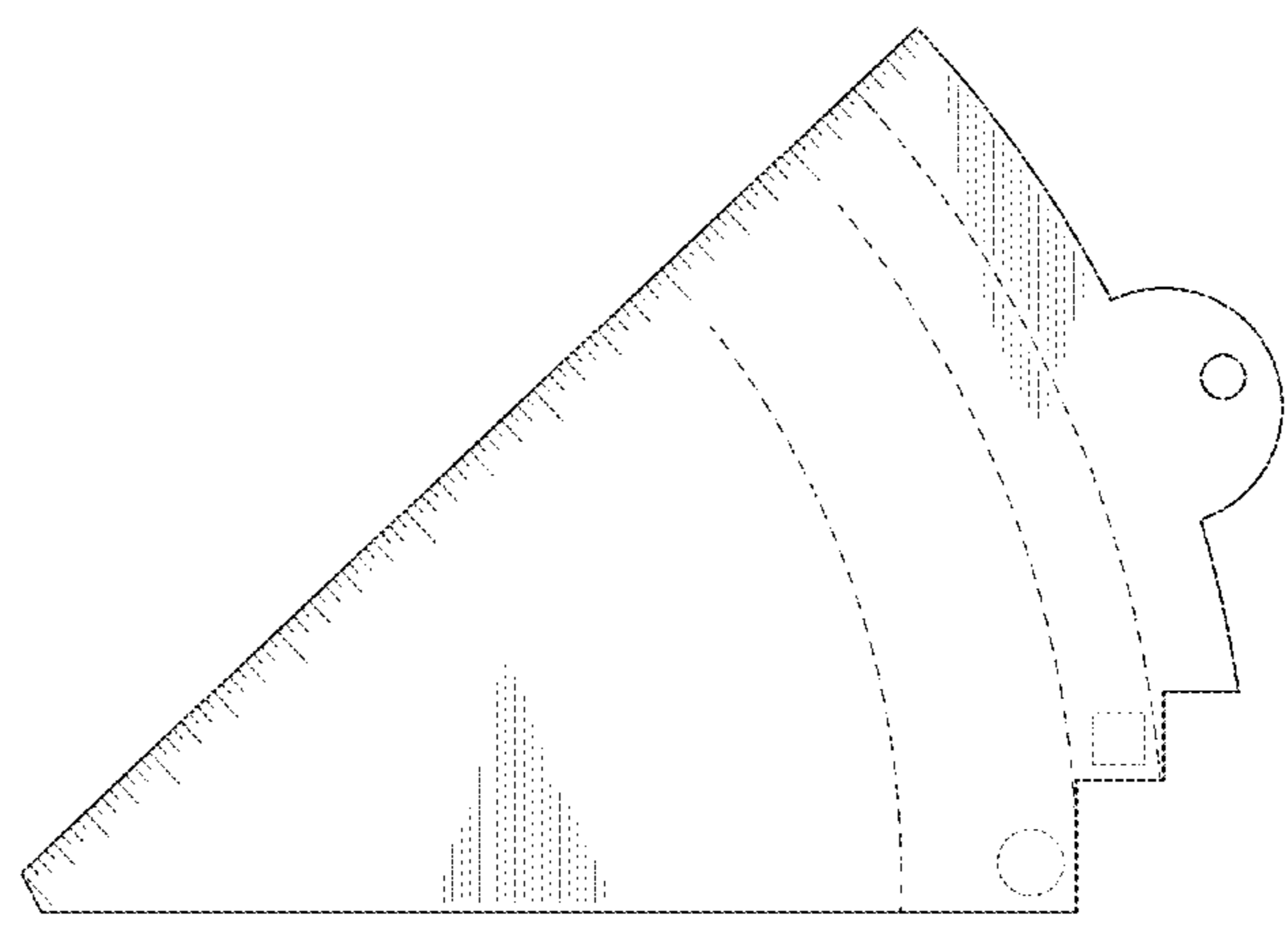
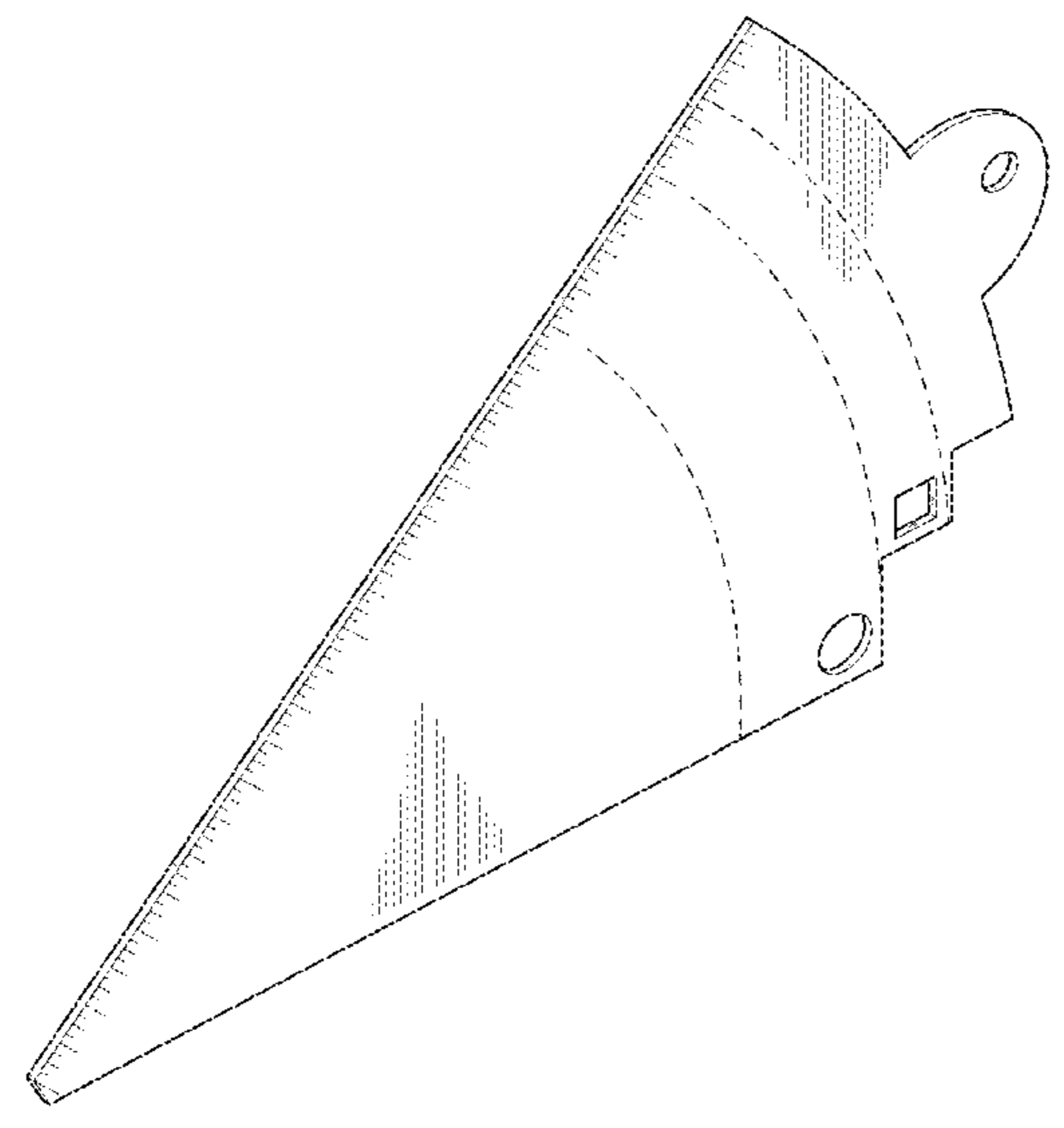
- 2,487,234 A \* 11/1949 Gore ..... A47G 19/26  
269/288
  - 3,130,764 A \* 4/1964 Donovan ..... B26D 3/245  
33/482
  - 4,490,916 A \* 1/1985 Blum ..... B43L 13/201  
33/482
  - D640,943 S \* 7/2011 Tucker ..... D10/64
- \* cited by examiner
- Primary Examiner* — Antoine D Davis  
(74) *Attorney, Agent, or Firm* — Honigman Miller Schwartz and Cohn LLP

(57) **CLAIM**  
A design for a measurement tool, as shown and described.

**DESCRIPTION**

FIG. 1 is a perspective view of an embodiment of a measurement tool;  
FIG. 2 is a front view of the measurement tool of FIG. 1;  
FIG. 3 is a back view of the measurement tool of FIG. 1;  
FIG. 4 is a left view of the measurement tool of FIG. 1;  
FIG. 5 is a right view of the measurement tool of FIG. 1;  
FIG. 6 is a top view of the measurement tool of FIG. 1; and,  
FIG. 7 is a bottom view of the measurement tool of FIG. 1.  
The broken lines are for illustrative purposes and form no part of the present invention.

**1 Claim, 5 Drawing Sheets**



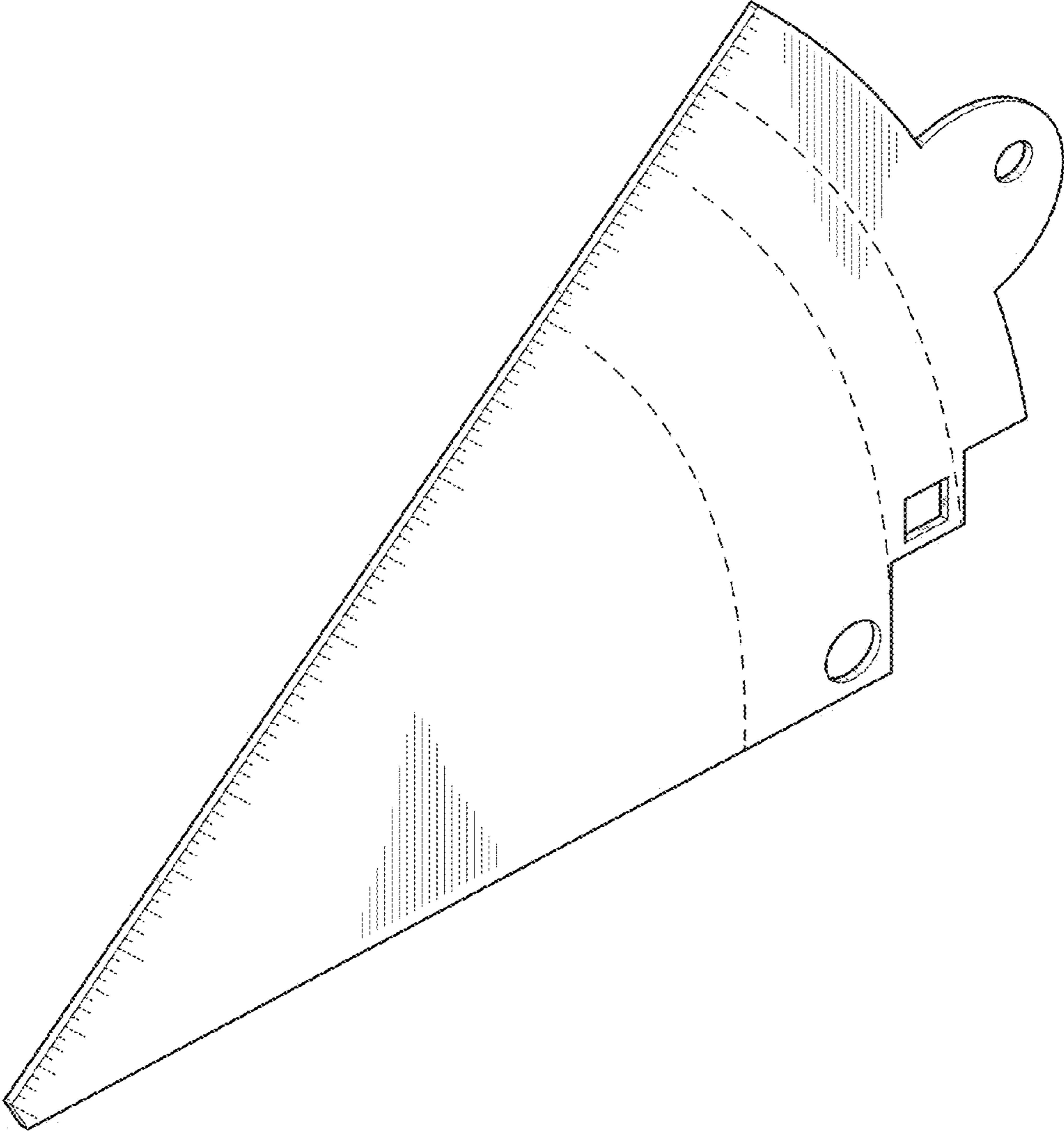


FIG. 1

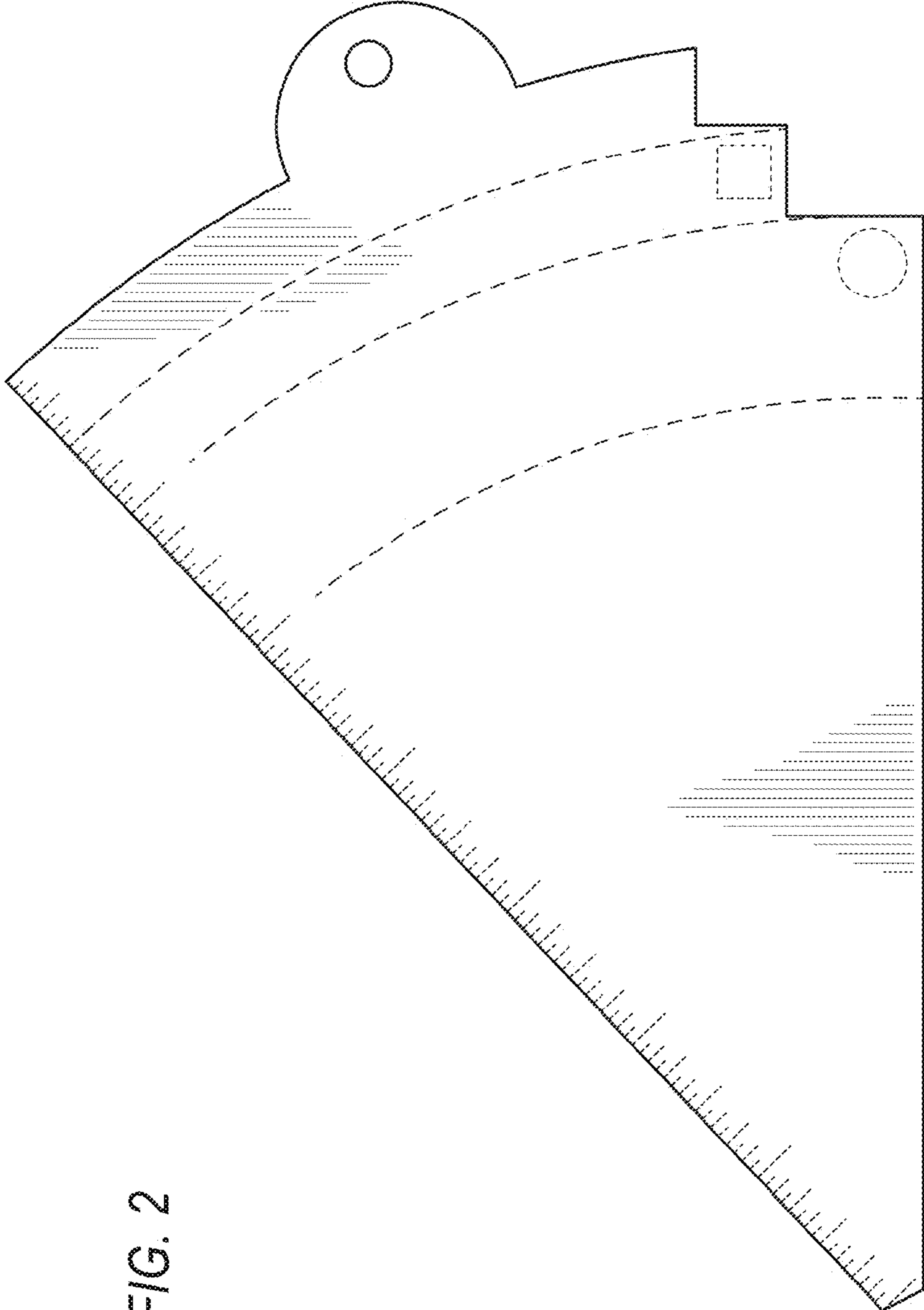
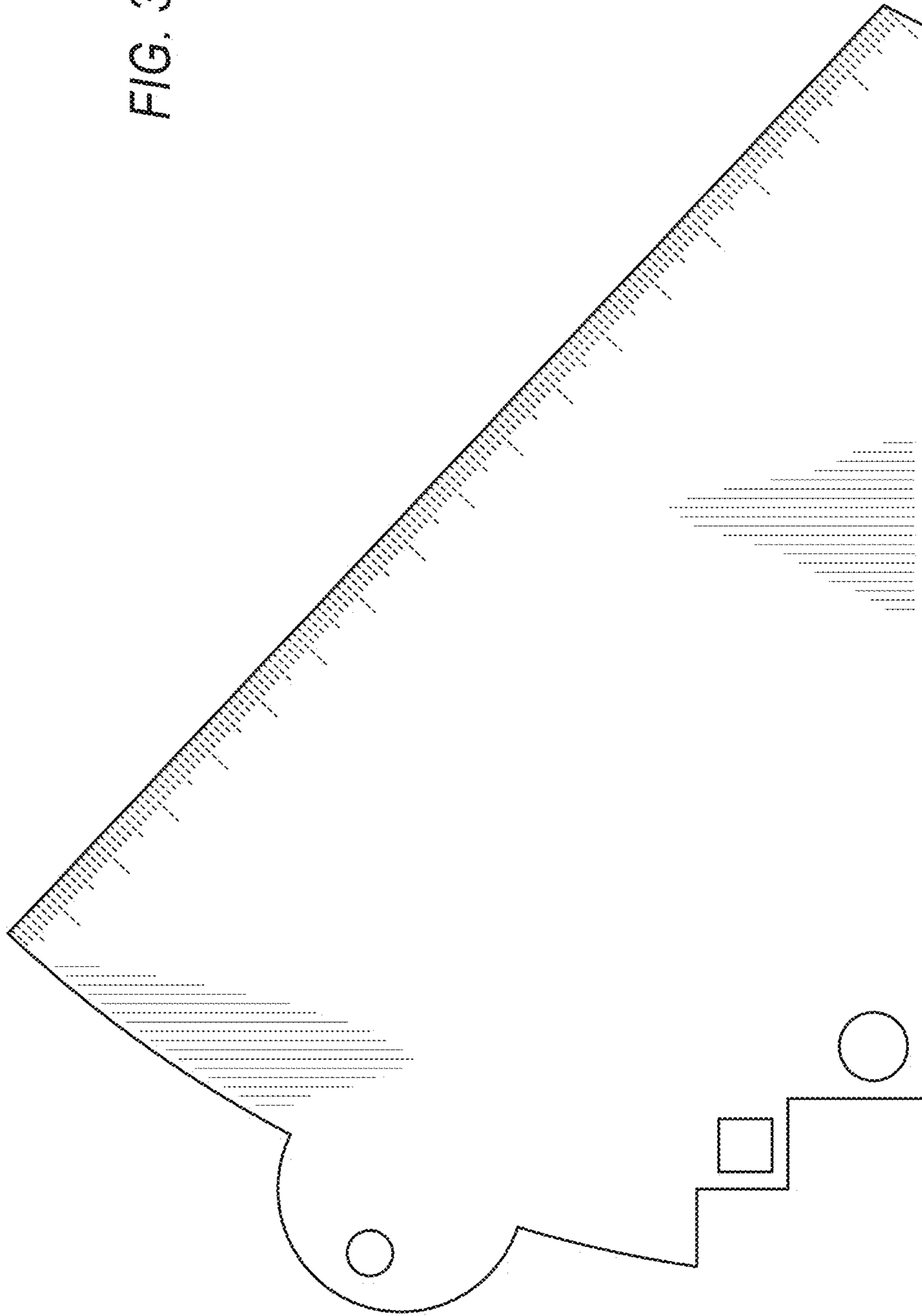


FIG. 2

FIG. 3



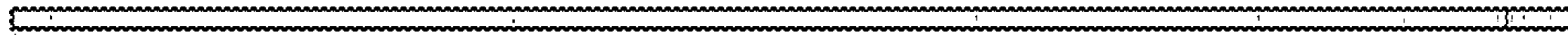


FIG. 5

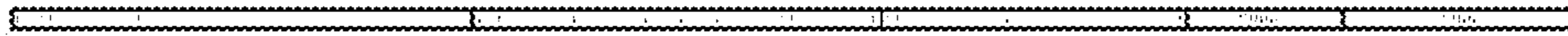


FIG. 4



FIG. 6



FIG. 7