



US00D763706S

(12) **United States Design Patent**  
**Shum et al.**

(10) **Patent No.:** **US D763,706 S**

(45) **Date of Patent:** **\*\* Aug. 16, 2016**

(54) **THREE COMPARTMENT CONTAINER**

(71) Applicant: **Break Ventures LLC**, Santa Monica, CA (US)  
(72) Inventors: **Nicholas Shum**, Santa Monica, CA (US); **Fernando Campos**, Los Angeles, CA (US)

(73) Assignee: **Break Ventures LLC**, Santa Monica, CA (US)

(\*\*) Term: **15 Years**

(21) Appl. No.: **29/550,586**

(22) Filed: **Jan. 5, 2016**

(51) **LOC (10) Cl.** ..... **09-03**

(52) **U.S. Cl.**  
USPC ..... **D9/737**

(58) **Field of Classification Search**  
USPC ..... D9/341, 347, 414-432, 440, 444, 447, D9/449, 450-454, 503, 504, 737, 759, 761, D9/600, 655, 661; D7/672, 601, 550.1, D7/551.1, 551.2, 551.3, 552.1, 552.2, D7/553.1, 553.2, 553.3, 553.4, 553.5, D7/553.7, 553.8, 554.1, 554.3, 555, 557, D7/602, 629, 630, 538-542, 612-615, 584, D7/586, 587, 392.1, 709, 502, 608, 622, D7/701, 703, 543-549, 317-319, 391, 392, D7/396.2, 510, 511, 576, 582; D3/273, D3/201-206, 276, 283, 284, 295, 274, D3/302; 229/107, 406, 120, 125.17; 220/669-673, 675, 574-575, 573.1, 220/4.21, 660, 326, 236, 780-806, 4.24, 220/288, 260, 266, 306, 352, 356, 523, 220/23.8, 23.2, 23.83, 23.4, 662, 700, 701, 220/703, 711, 713-715, 719; 190/109, 110; 426/106; 206/216, 217, 541-550, 518, 206/557, 558, 561, 564, 223, 467; 215/211, 215/200, 224, 243; 249/126, 134  
CPC ..... B65D 1/36; B65D 2543/00296; B65D 2543/00027; B65D 2543/00194; B65D 2543/00648; B65D 25/04; B65D 21/0206; B65D 2543/00175; B65D 2543/00657; A47G 23/06; A61B 2050/3007

See application file for complete search history.

(56) **References Cited**

U.S. PATENT DOCUMENTS

D318,207 S \* 7/1991 Anderson ..... D7/549  
D352,202 S \* 11/1994 Campbell ..... D7/546

(Continued)

OTHER PUBLICATIONS

EasyLunchBoxes 3-Compartment, available Aug. 19, 2011, [online], [site visited Jun. 22, 2016]. Available from internet, <URL: https://www.amazon.com/EasyLunchboxes-3-Compartment-Bento-Containers-Classic/dp/B004S129AQ.\*

(Continued)

*Primary Examiner* — Cathron Brooks

*Assistant Examiner* — Teddy Falloway

(74) *Attorney, Agent, or Firm* — Stone Creek Services LLC; Alan M Flum

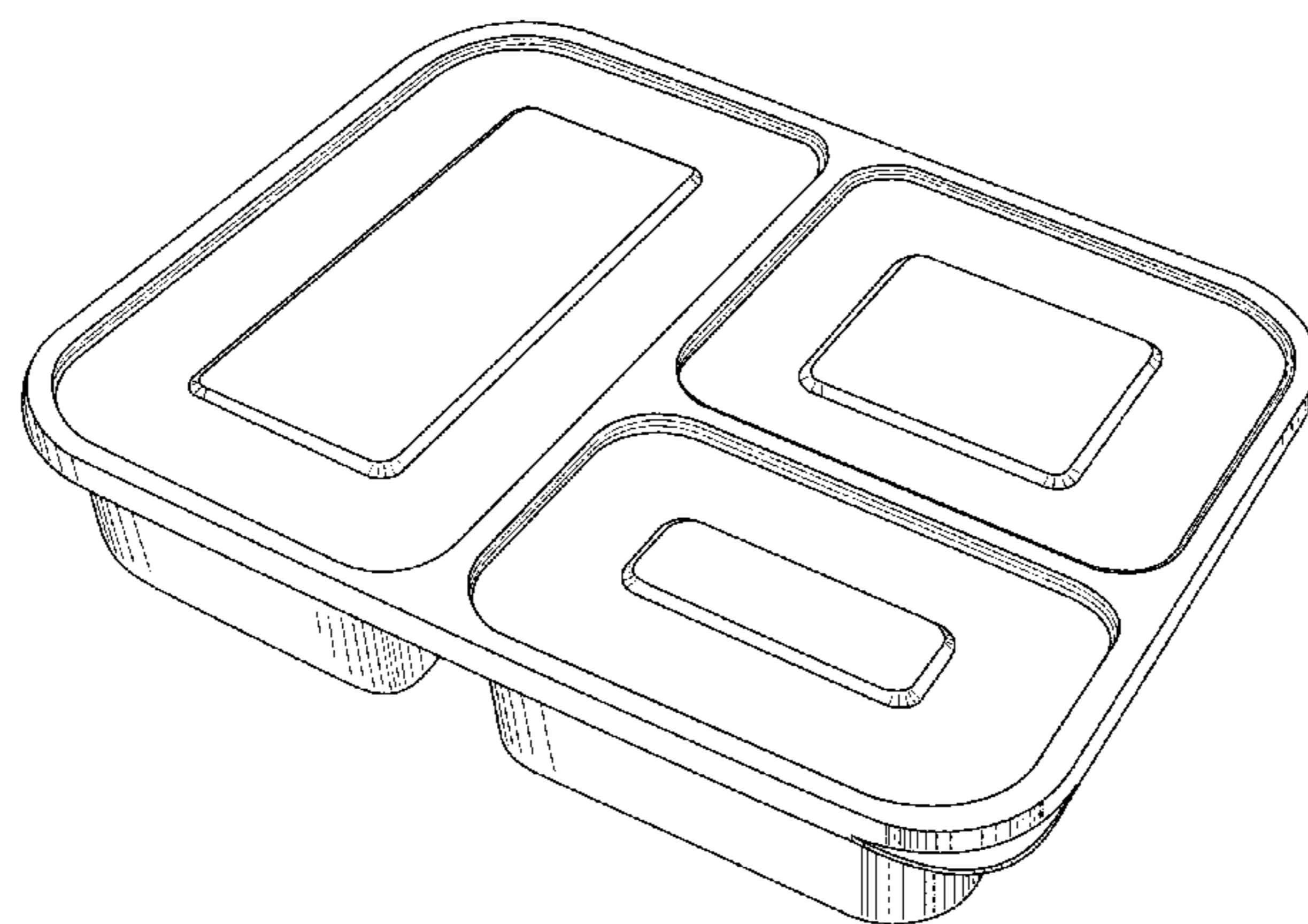
(57) **CLAIM**

The ornamental design for a three compartment container, as shown and described.

**DESCRIPTION**

FIG. 1 is a top, front, and left side perspective view of a three compartment container showing our new design;  
FIG. 2 is a front elevation view of the three compartment container of FIG. 1;  
FIG. 3 is a rear elevation view of the three compartment container of FIG. 1;  
FIG. 4 is a left side elevation view of the three compartment container of FIG. 1;  
FIG. 5 is a right side elevation view of the three compartment container of FIG. 1;  
FIG. 6 is a top plan view of the three compartment container of FIG. 1;  
FIG. 7 is a bottom plan view of the three compartment container of FIG. 1; and,  
FIG. 8 is an enlarged view of the of a three compartment container showing our new design.  
The surface shading illustrated in the drawings is provided merely to highlight the contour of the design; it is not intended to be illustrative of texture or surface ornamentation. The broken lines in FIG. 7 illustrate portions of the three compartment container that form no part of the claimed invention.

**1 Claim, 4 Drawing Sheets**



(56)

**References Cited**

U.S. PATENT DOCUMENTS

D352,203 S 11/1994 Campbell et al.  
 5,419,451 A \* 5/1995 Bitel, Jr. .... B65D 1/36  
 206/508  
 D363,856 S \* 11/1995 Westbrook, Jr. .... D7/553.2  
 D376,953 S 12/1996 Dunn  
 D378,726 S \* 4/1997 Dunn ..... D7/549  
 6,119,862 A \* 9/2000 Childress ..... B65D 1/36  
 206/557  
 D432,409 S 10/2000 Feldmeier  
 D451,769 S 12/2001 Stanos et al.  
 D494,857 S 8/2004 Chen et al.  
 D515,880 S 2/2006 Lerner  
 D538,102 S 3/2007 Dege et al.  
 D586,623 S 2/2009 Dunn  
 D615,822 S 5/2010 Klen  
 D649,838 S \* 12/2011 Stamper ..... D7/602  
 D665,677 S 8/2012 Wu  
 8,807,373 B1 \* 8/2014 Russell ..... A47G 23/06  
 220/359.1  
 D712,939 S \* 9/2014 Jeon ..... D15/89  
 8,960,467 B2 \* 2/2015 Miros ..... A45C 11/20  
 220/23.86

2002/0108955 A1 \* 8/2002 Erb ..... B65D 77/2024  
 220/359.4  
 2004/0031799 A1 \* 2/2004 Dege ..... B65D 1/36  
 220/523  
 2007/0178194 A1 \* 8/2007 Everard ..... A23G 3/54  
 426/106

OTHER PUBLICATIONS

ChefLand 3-Compartment Microwave Safe Food Container, available Jul. 17, 2014, [online], [site visited Jun. 22, 2016]. Available from internet, <URL: <https://www.amazon.com/ChefLand-3-Compartment-Microwave-Container-Divided/dp/B00PY032QK>>.\*  
 3 Compartment Food Containers (viagroupon), available Nov. 6, 2015, [online], [site visited Jun. 22, 2016]. Available from internet, <URL: <https://www.groupon.com/deals/gs-meal-prep-haven-3-compartment-food-containers-with-lids-for-portion-control>>.\*  
 California Home Goods 3 Compartment Reusable Food Storage Containers with Lids, Microwave and Dishwasher Safe, Bento Lunch Box, Stackable, Set of 10, Apr. 2015, Amazon.com, Seattle, WA, US accessed on the Internet at <http://www.amazon.com/gp/product/B00WLCDT90/>.

\* cited by examiner

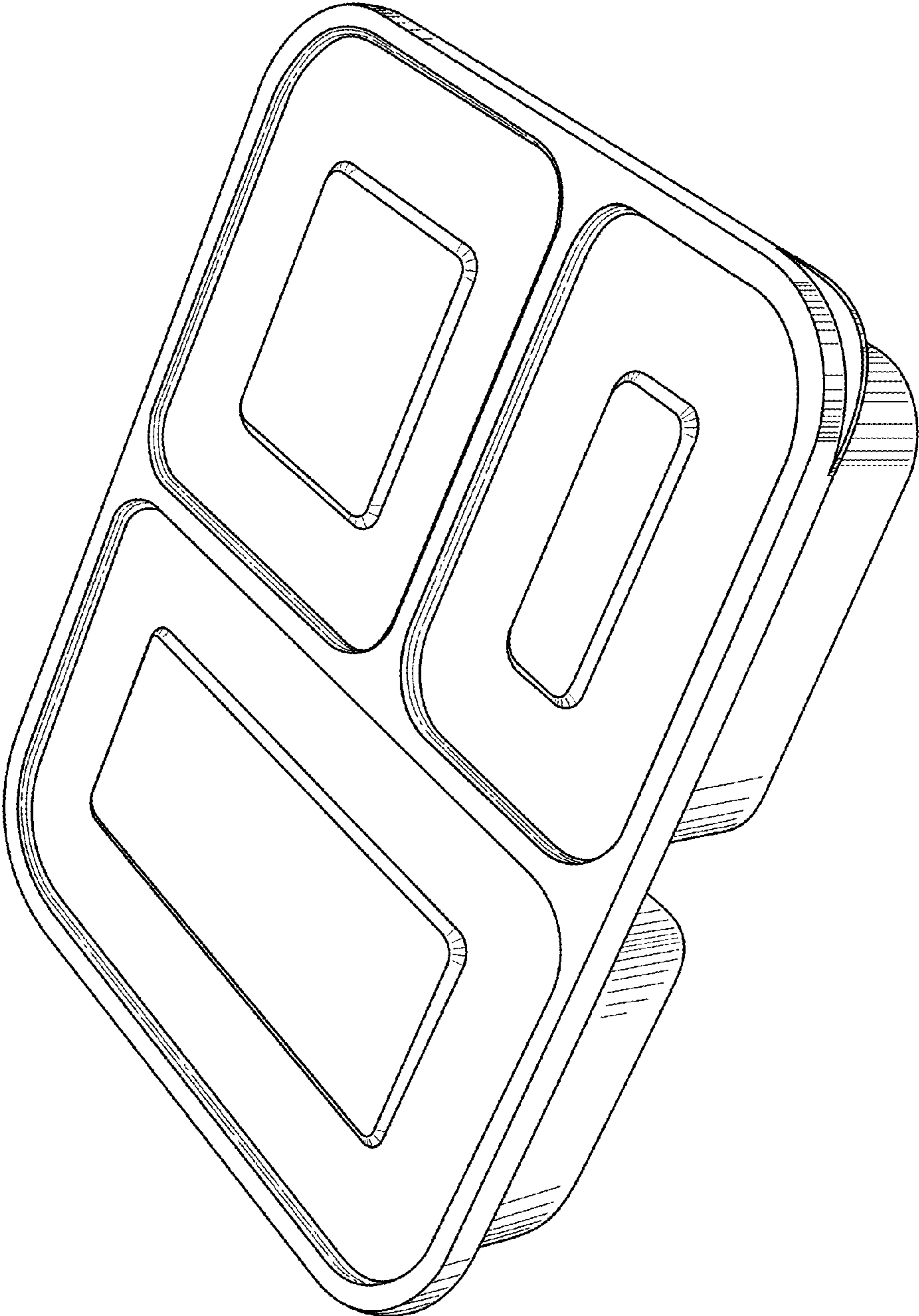


FIG. 1

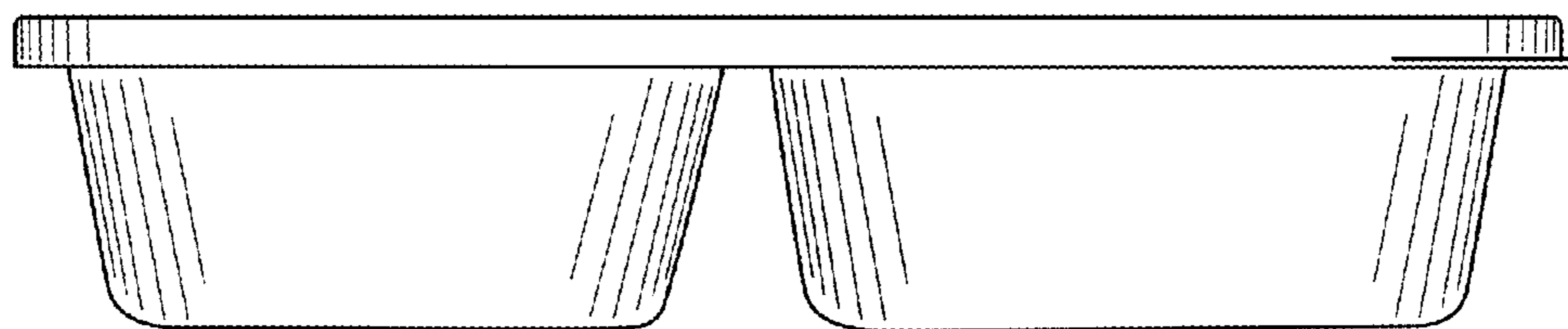


FIG. 2

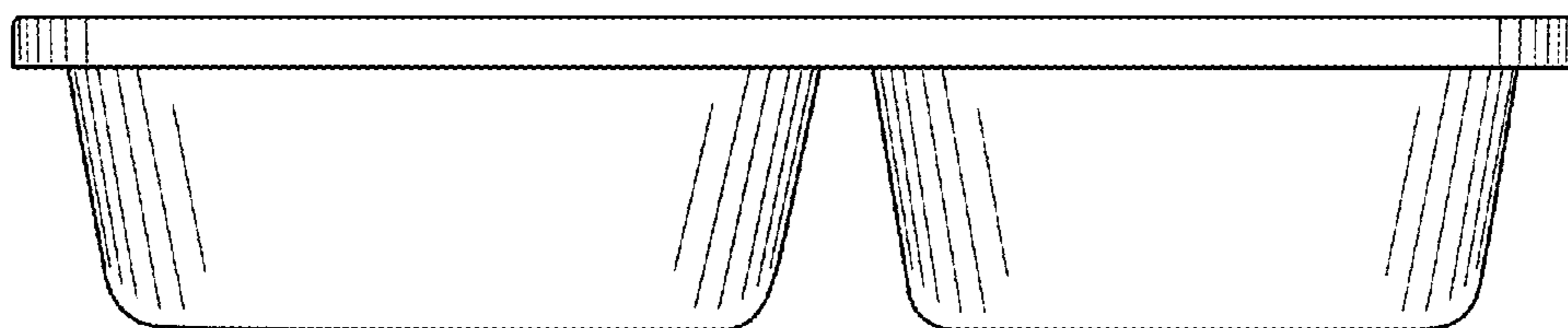


FIG. 3

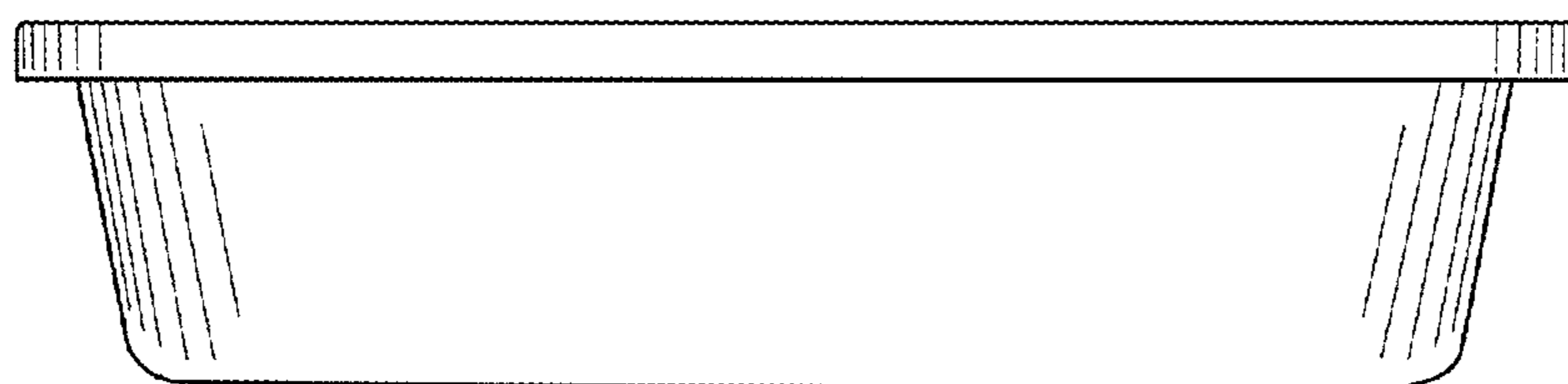


FIG. 4

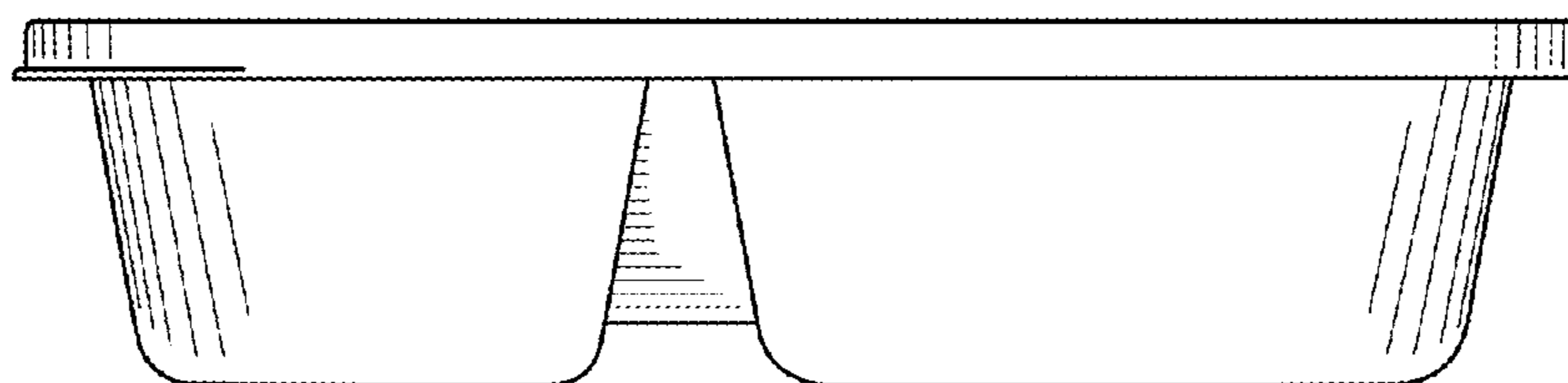


FIG. 5

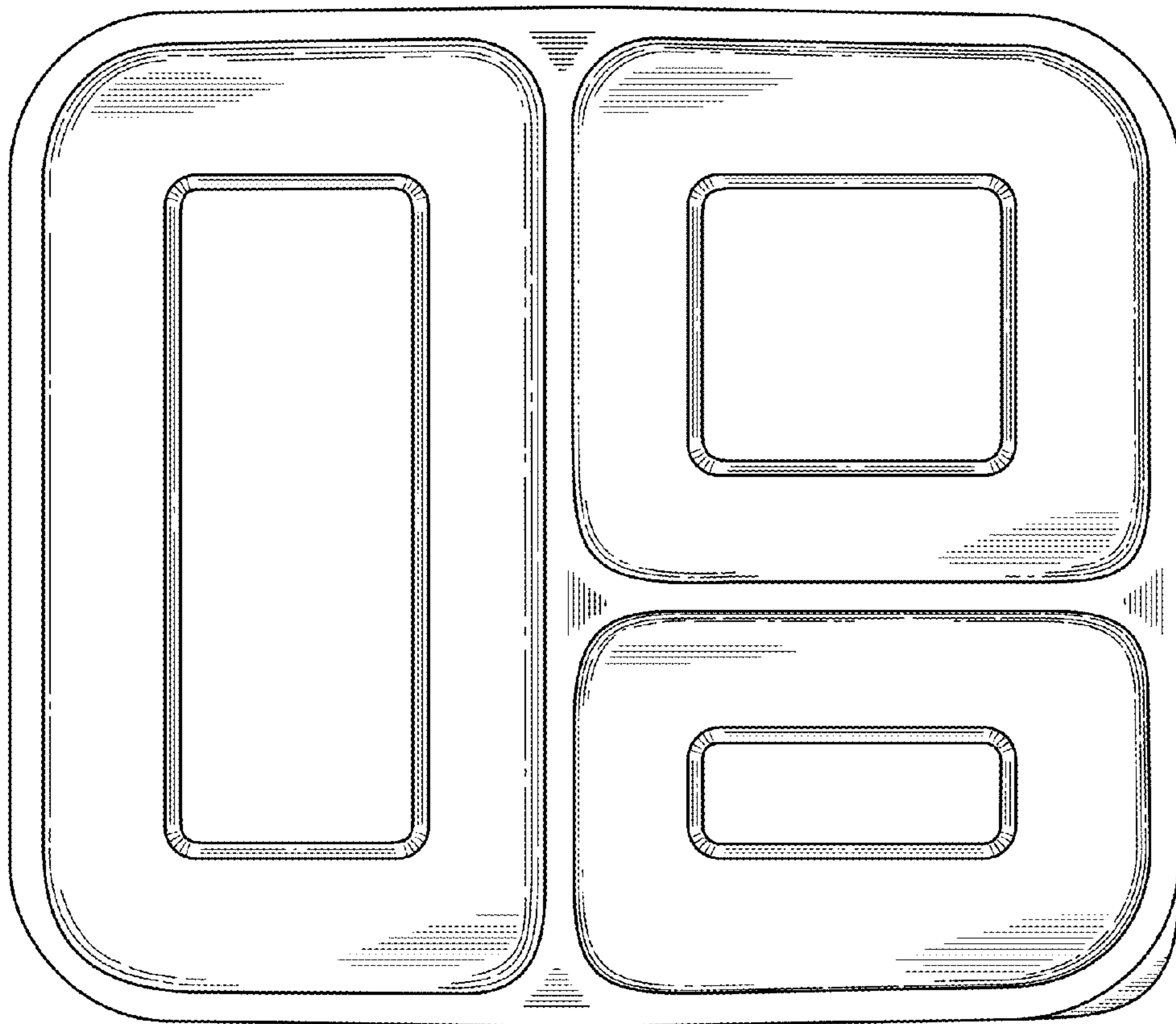


FIG. 6

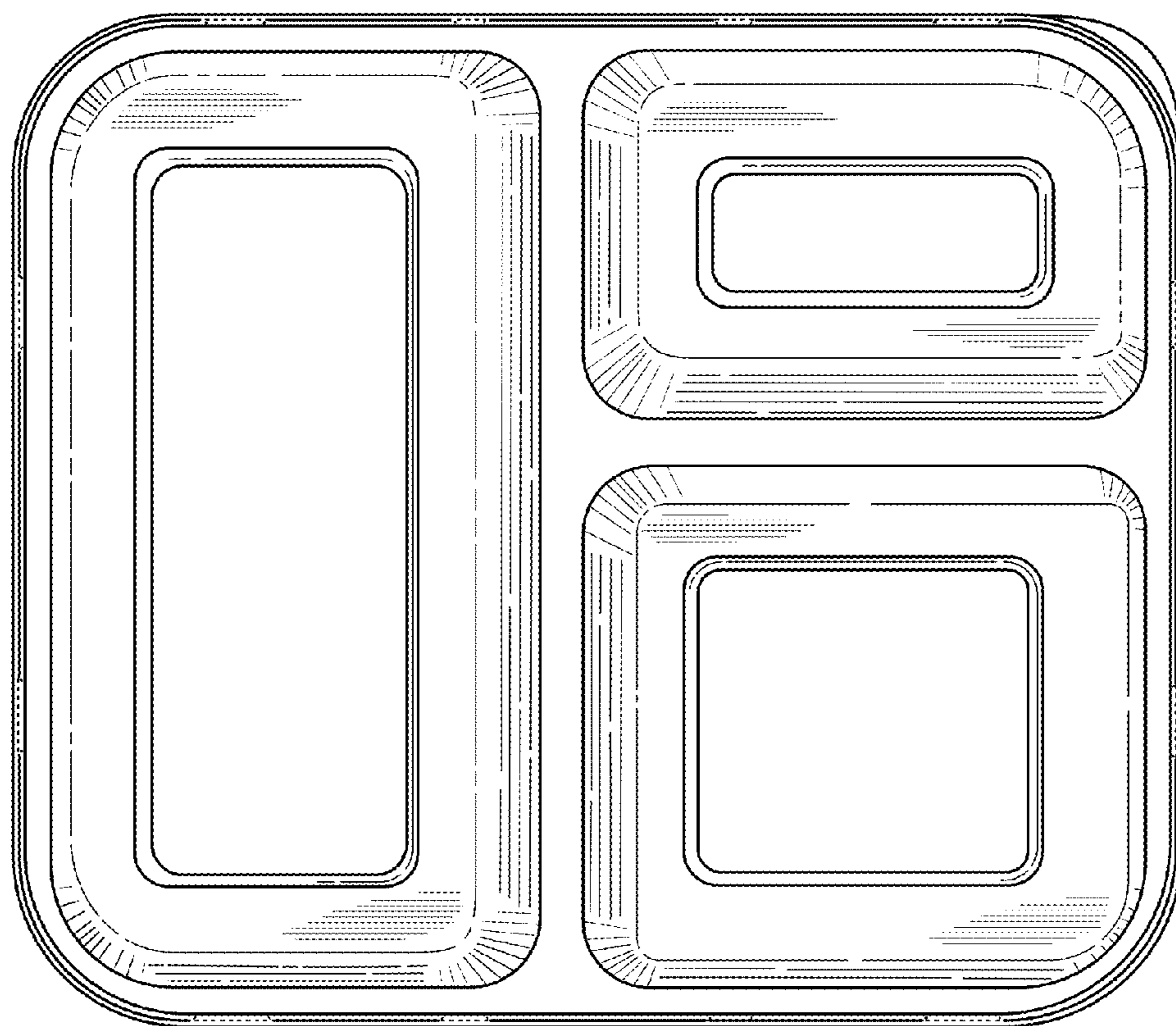


FIG. 7

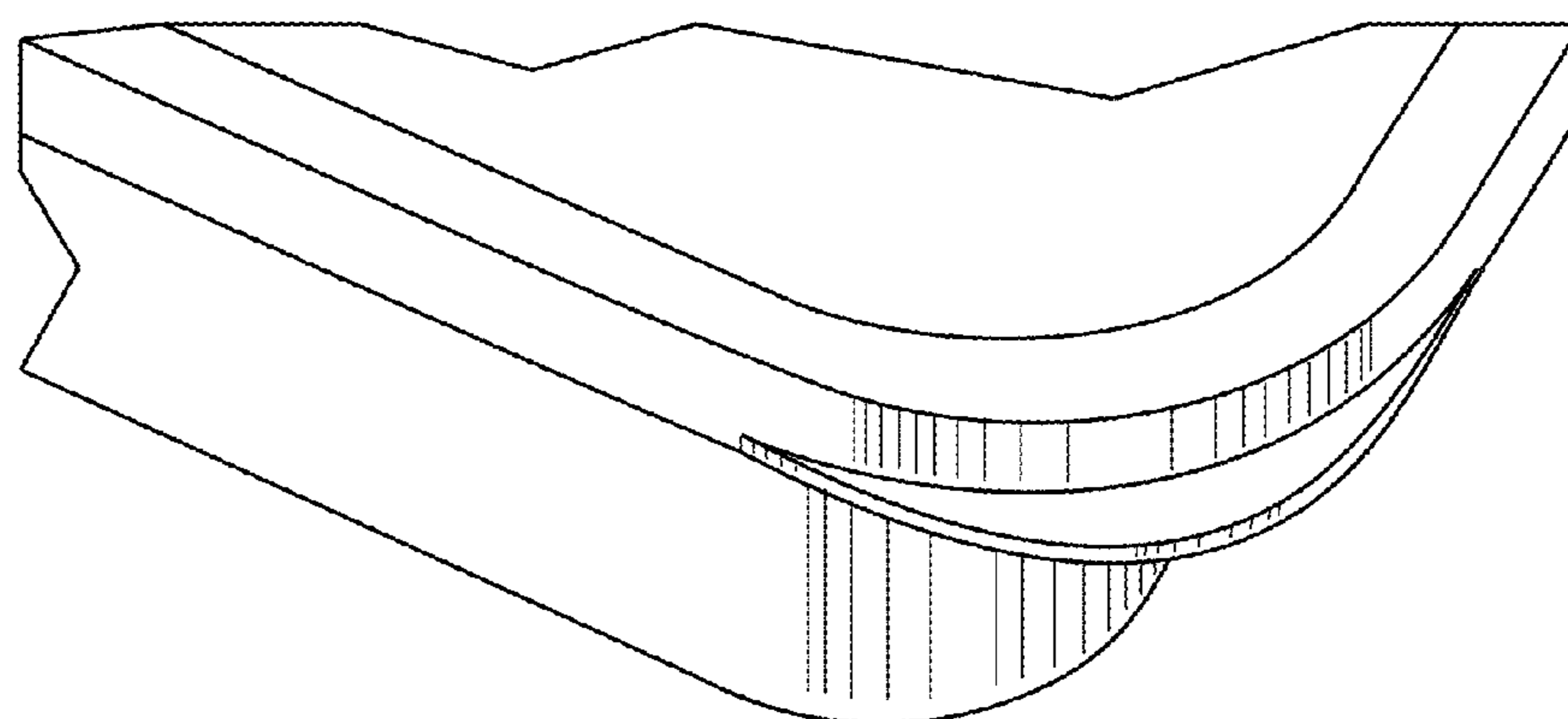


FIG. 8