

US00D763705S

(12) **United States Design Patent**
Drogo

(10) **Patent No.:** **US D763,705 S**

(45) **Date of Patent:** **** Aug. 16, 2016**

(54) **BEVERAGE LID**

(71) Applicant: **Virginia M Drogo**, Plantation, FL (US)

(72) Inventor: **Virginia M Drogo**, Plantation, FL (US)

(**) Term: **14 Years**

(21) Appl. No.: **29/503,605**

(22) Filed: **Sep. 29, 2014**

(51) **LOC (10) Cl.** **09-05**

(52) **U.S. Cl.**

USPC **D9/707; D24/207**

(58) **Field of Classification Search**

USPC D9/702-714, 435, 439, 443, 447, 449,
D9/529, 503, 682, 516, 525, 549, 551, 564,
D9/414, 417, 422, 424;
220/203.04-203.07, 703, 288; 383/80;
493/214; D7/396.2, 509, 510, 511,
D7/900; 215/200, 235, 252, 329, 355-364,
215/306; 222/521, 494, 492; D28/82;
D3/273, 201
CPC B65D 47/00; B65D 47/04; B65D 51/14;
B65D 15/18

See application file for complete search history.

(56) **References Cited**

U.S. PATENT DOCUMENTS

D244,065 S * 4/1977 Daenen D7/584
D266,906 S * 11/1982 Guerette D9/453

D291,971 S * 9/1987 Smith D9/447
D476,893 S * 7/2003 Pinnavaia D9/454
D522,363 S * 6/2006 Hicks et al. D9/449
D623,943 S * 9/2010 Weld D9/454
D640,556 S * 6/2011 Bragg et al. D9/449
D650,670 S * 12/2011 Dunwoody D9/435
D651,081 S * 12/2011 Dunwoody D9/435
D675,237 S * 1/2013 Broadbent et al. D15/136
D681,459 S * 5/2013 Ramsey et al. D9/452
D682,106 S * 5/2013 Ramsey et al. D9/454
D682,107 S * 5/2013 Ramsey et al. D9/454

* cited by examiner

Primary Examiner — Caron D Veynar

Assistant Examiner — Abraham Bahta

(74) *Attorney, Agent, or Firm* — The Miller Law Offices
PLC; Steven J. Miller, Esq.

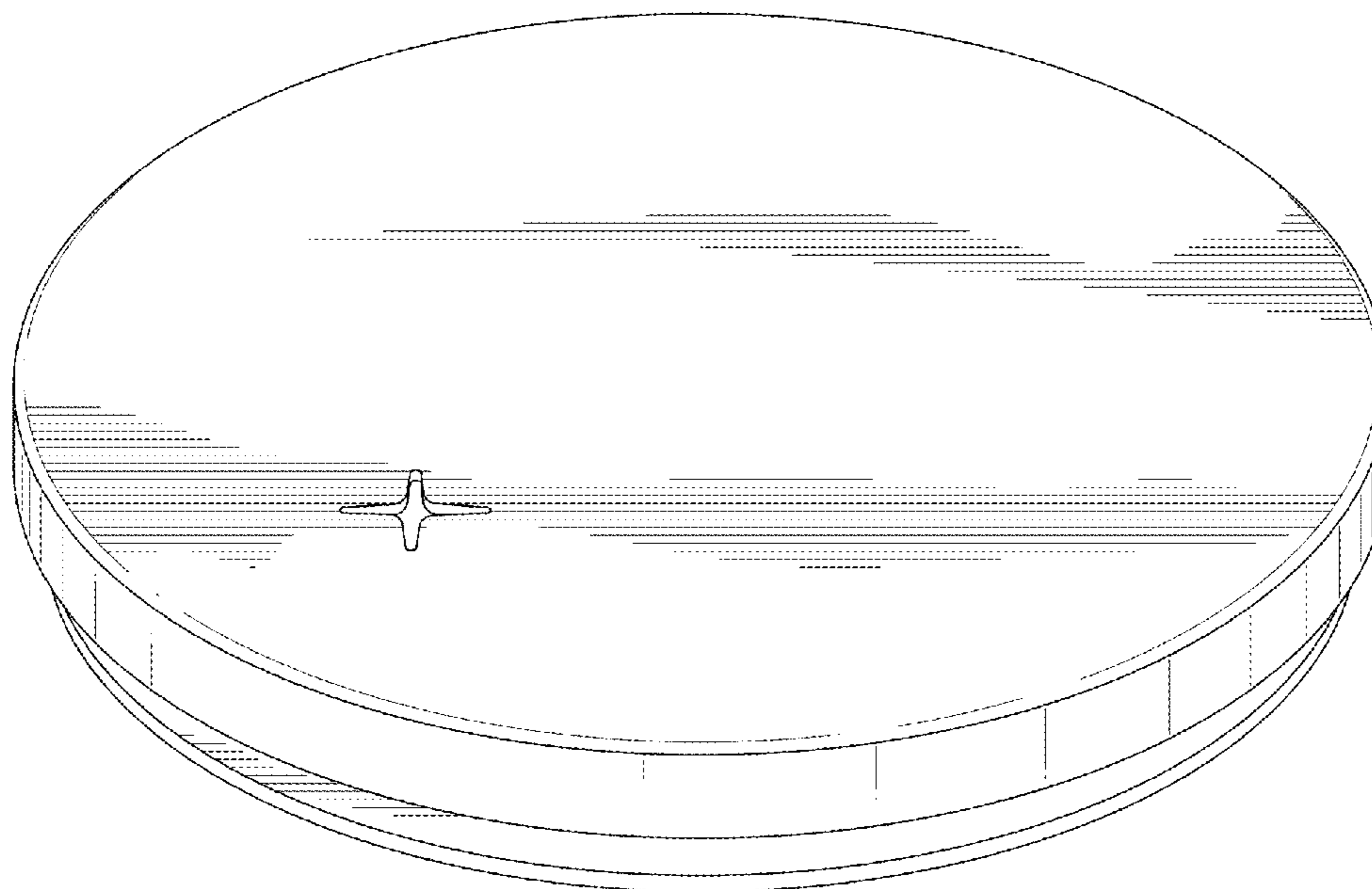
(57) **CLAIM**

The ornamental design for a beverage lid, as shown and described.

DESCRIPTION

FIG. 1 is a top perspective view of the beverage lid;
FIG. 2 is a bottom perspective view of the beverage lid;
FIG. 3 is a front elevation view of the beverage lid;
FIG. 4 is a rear elevation view of the beverage lid;
FIG. 5 is a right side elevation view of the beverage lid;
FIG. 6 is a left side elevation view of the beverage lid;
FIG. 7 is a top plan view of the beverage lid; and,
FIG. 8 is a bottom plan view of the beverage lid.

1 Claim, 6 Drawing Sheets



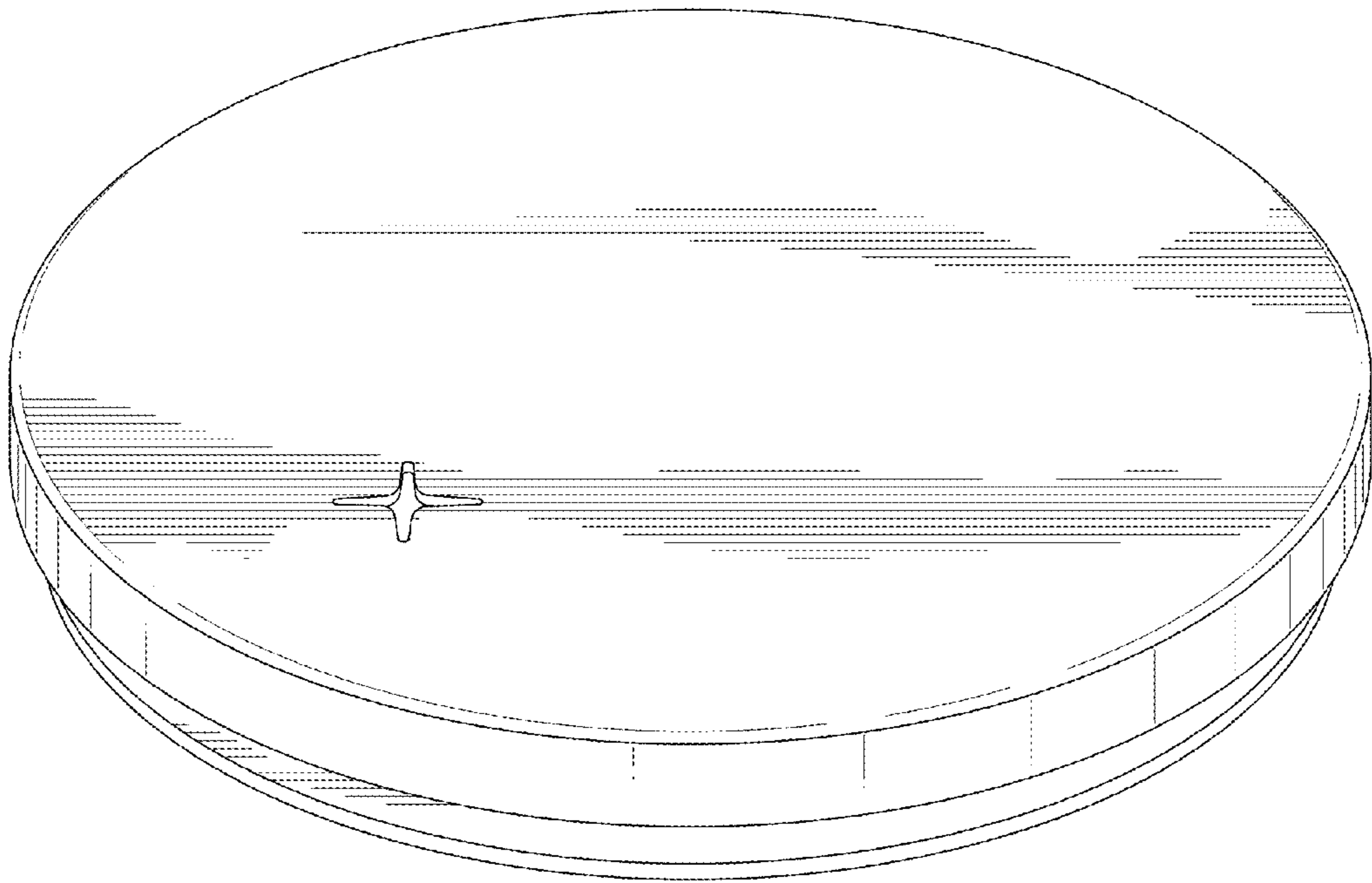


FIG. 1

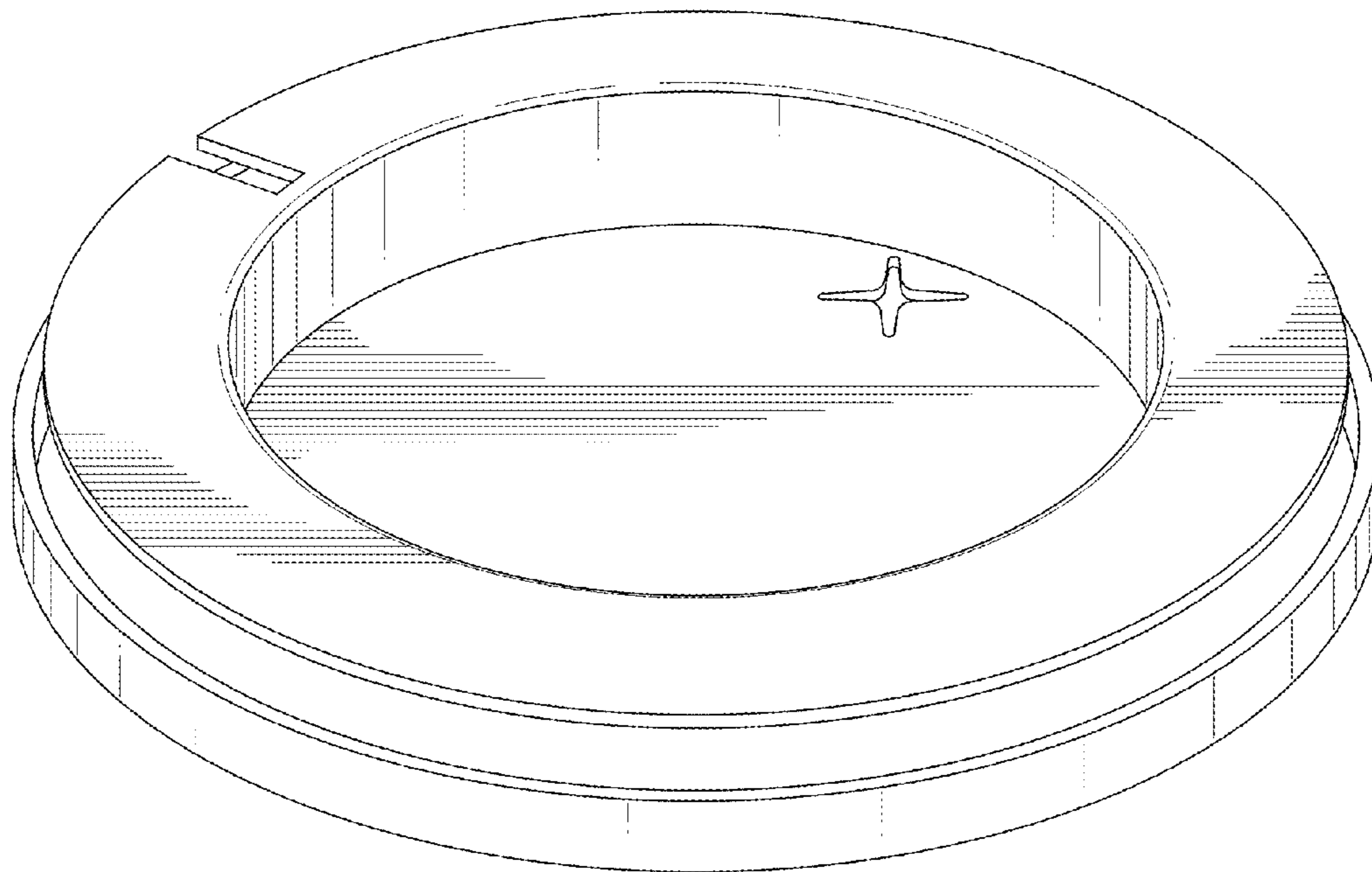


FIG.2

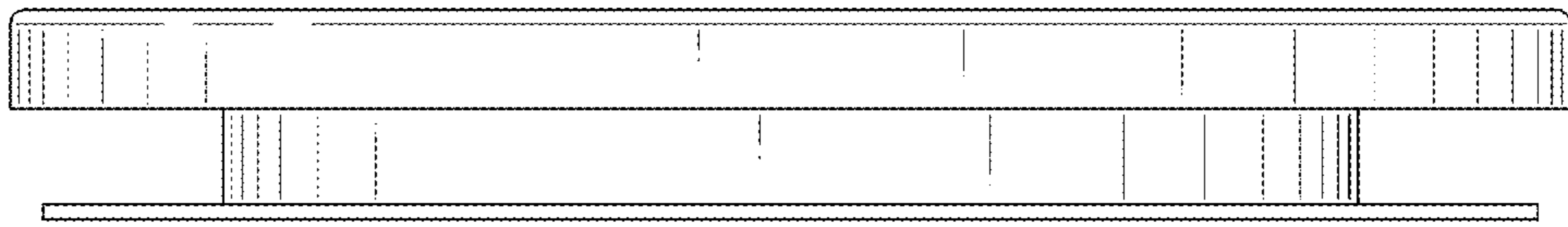


FIG. 3

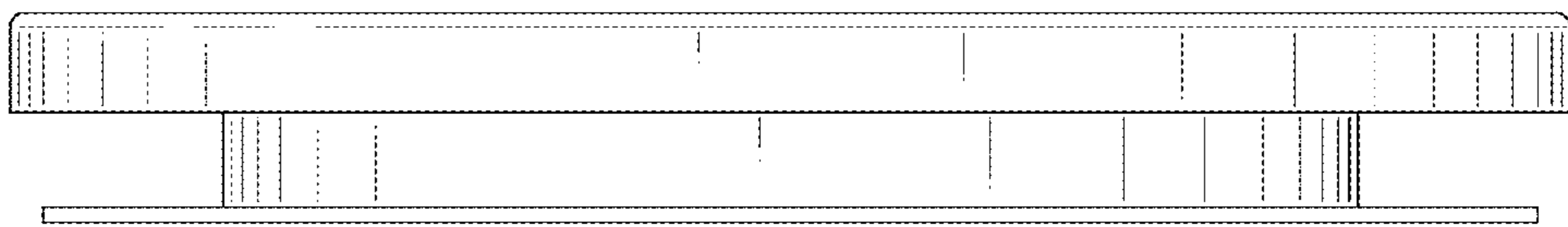


FIG. 4

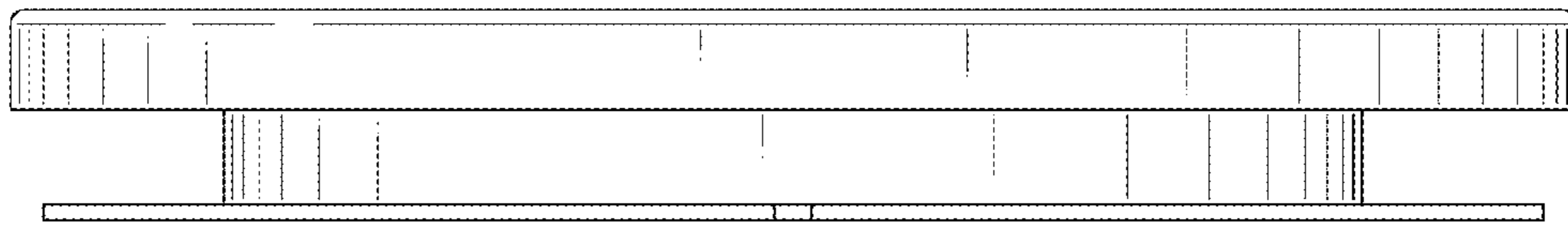


FIG. 5

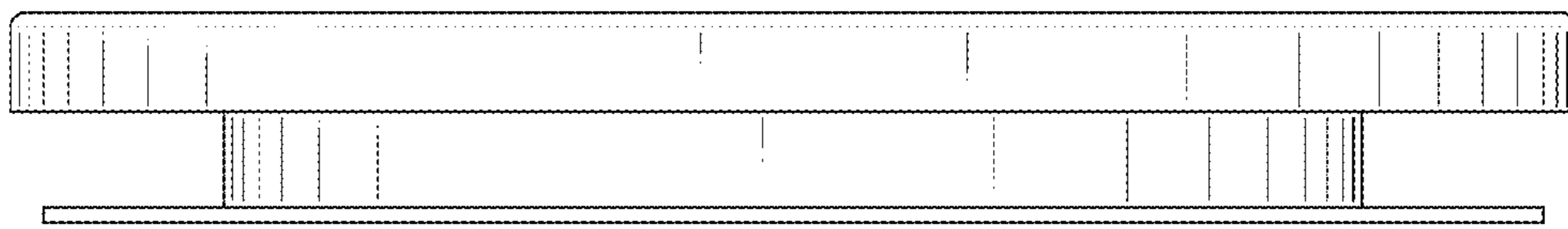


FIG. 6

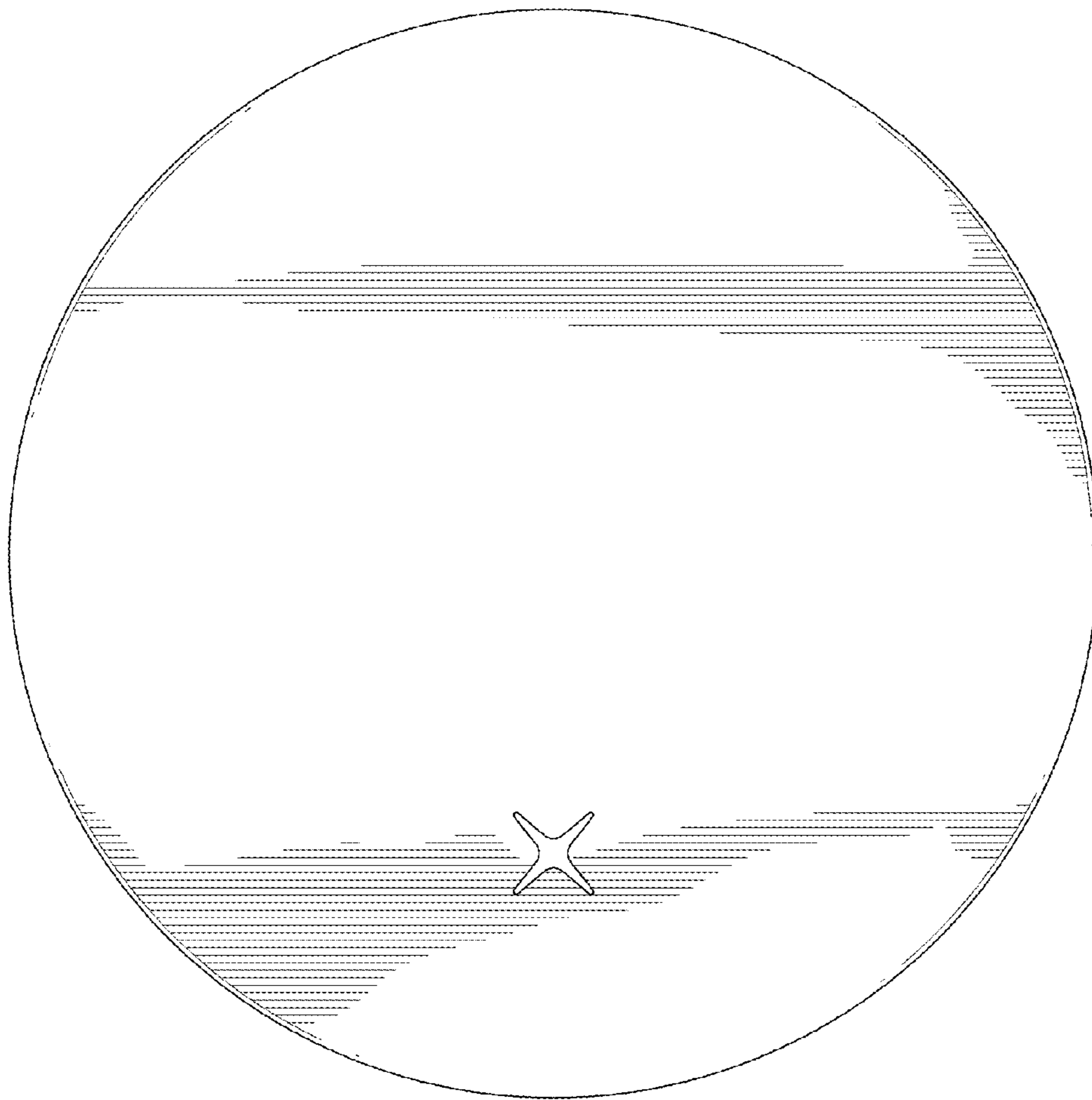


FIG. 7

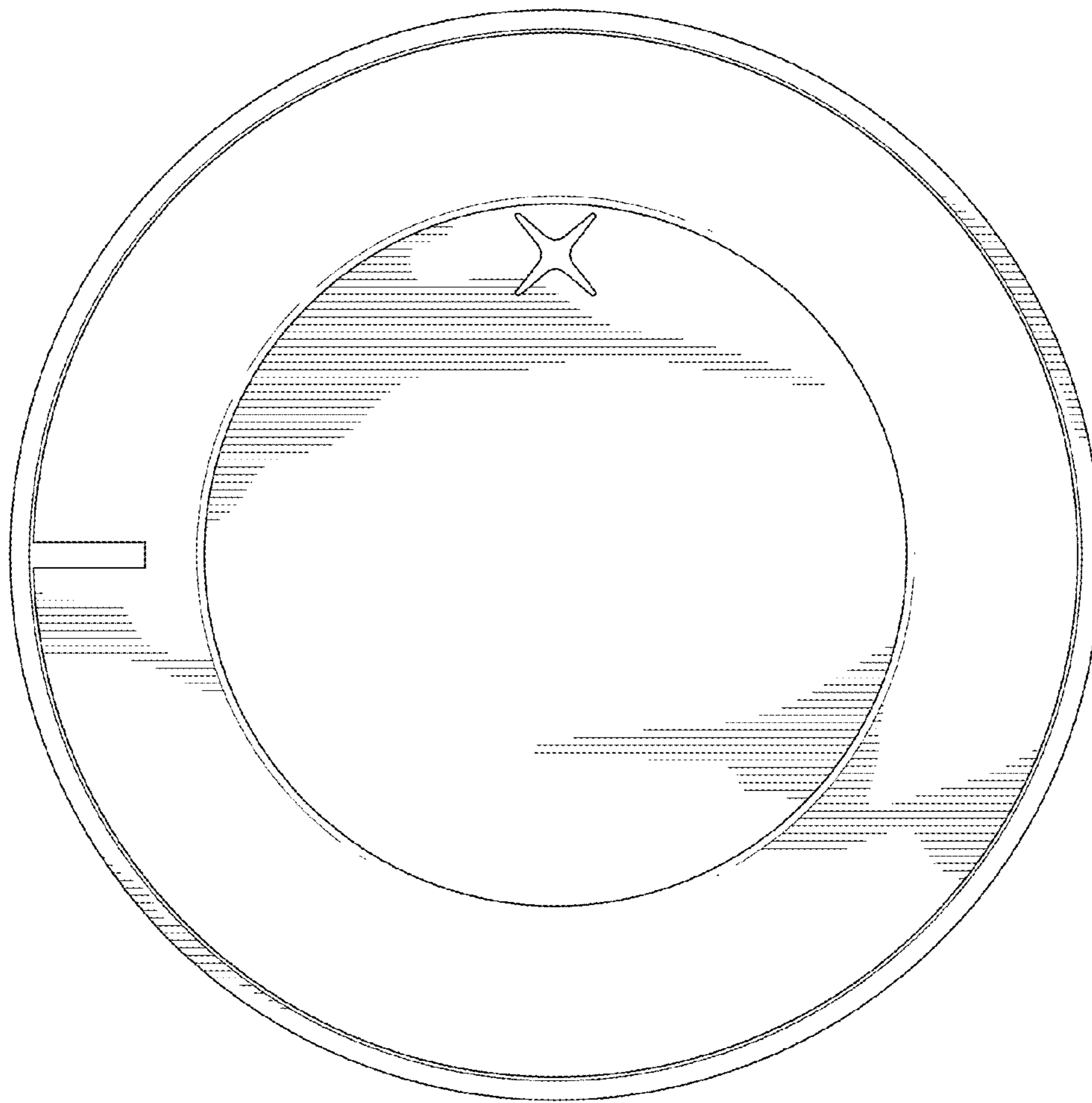


FIG. 8