



US00D763694S

(12) **United States Design Patent**
Herman et al.

(10) **Patent No.:** **US D763,694 S**

(45) **Date of Patent:** **** Aug. 16, 2016**

(54) **BOTTLE**

(56) **References Cited**

U.S. PATENT DOCUMENTS

- (71) Applicant: **Owens-Brockway Glass Container Inc.**, Perrysburg, OH (US)
- (72) Inventors: **Megan Herman**, Toledo, OH (US); **Joseph J. Balusik, III**, Ottawa Lake, MI (US); **Raul M. Paredes**, Perrysburg, OH (US); **Karl A. Reisig**, Maumee, OH (US); **Douglas Laib**, Perrysburg, OH (US)
- (73) Assignee: **Owens-Brockway Glass Container Inc.**, Perrysburg, OH (US)
- (**) Term: **14 Years**
- (21) Appl. No.: **29/509,117**
- (22) Filed: **Nov. 14, 2014**

D57,672 S	4/1921	Knowles	
D60,557 S	3/1922	Marble	
D92,640 S	6/1934	Ennever	
D113,430 S	2/1939	Musselman	
D193,638 S	9/1962	Goldstein	
3,066,821 A	12/1962	Conklin	
3,403,804 A	10/1968	Colombo	
3,598,270 A	8/1971	Adomaitis et al.	
3,823,032 A	7/1974	Ukai	
D260,239 S	8/1981	Barrash	
D272,721 S *	2/1984	Grey	D9/500
D478,286 S	8/2003	Futral et al.	
D478,287 S	8/2003	Corker et al.	
6,659,298 B2	12/2003	Wong	
D489,983 S	5/2004	Futral et al.	
D563,231 S	3/2008	Watts	
D596,488 S	7/2009	Chupak	
D626,840 S	11/2010	Hall	
D644,533 S	9/2011	Hall	
D687,314 S	8/2013	Armani	
D695,614 S	12/2013	Crowe	
D697,405 S	1/2014	Ahlgren et al.	
D697,804 S	1/2014	Hanson et al.	
D701,771 S	4/2014	Hall	
D704,557 S	5/2014	Hamill	
D706,633 S	6/2014	Reisig et al.	
D706,634 S	6/2014	Herman et al.	
D723,921 S *	3/2015	Herman	D9/500
2003/0042221 A1	3/2003	Wong	

Related U.S. Application Data

- (62) Division of application No. 29/450,877, filed on Mar. 25, 2013, now Pat. No. Des. 723,921.
- (51) **LOC (10) Cl.** **09-01**
- (52) **U.S. Cl.**
USPC **D9/500**
- (58) **Field of Classification Search**
USPC D9/500, 502-505, 516, 529-530, D9/537-541, 544-545, 549, 550, 558, 682, D9/685-686, 688-691, 715, 719, 724, D9/763-764, 772, 776-777; D7/300, D7/300.1, 598; D24/197; 215/379, 381; 220/660, 662, 675
CPC B65D 1/00; B65D 1/02; B65D 1/12; B65D 1/14; B65D 1/16; B65D 1/165; B65D 23/00; B65D 81/00; B65D 2501/00; B65D 2501/0009

See application file for complete search history.

* cited by examiner

Primary Examiner — Dana L Meyrow

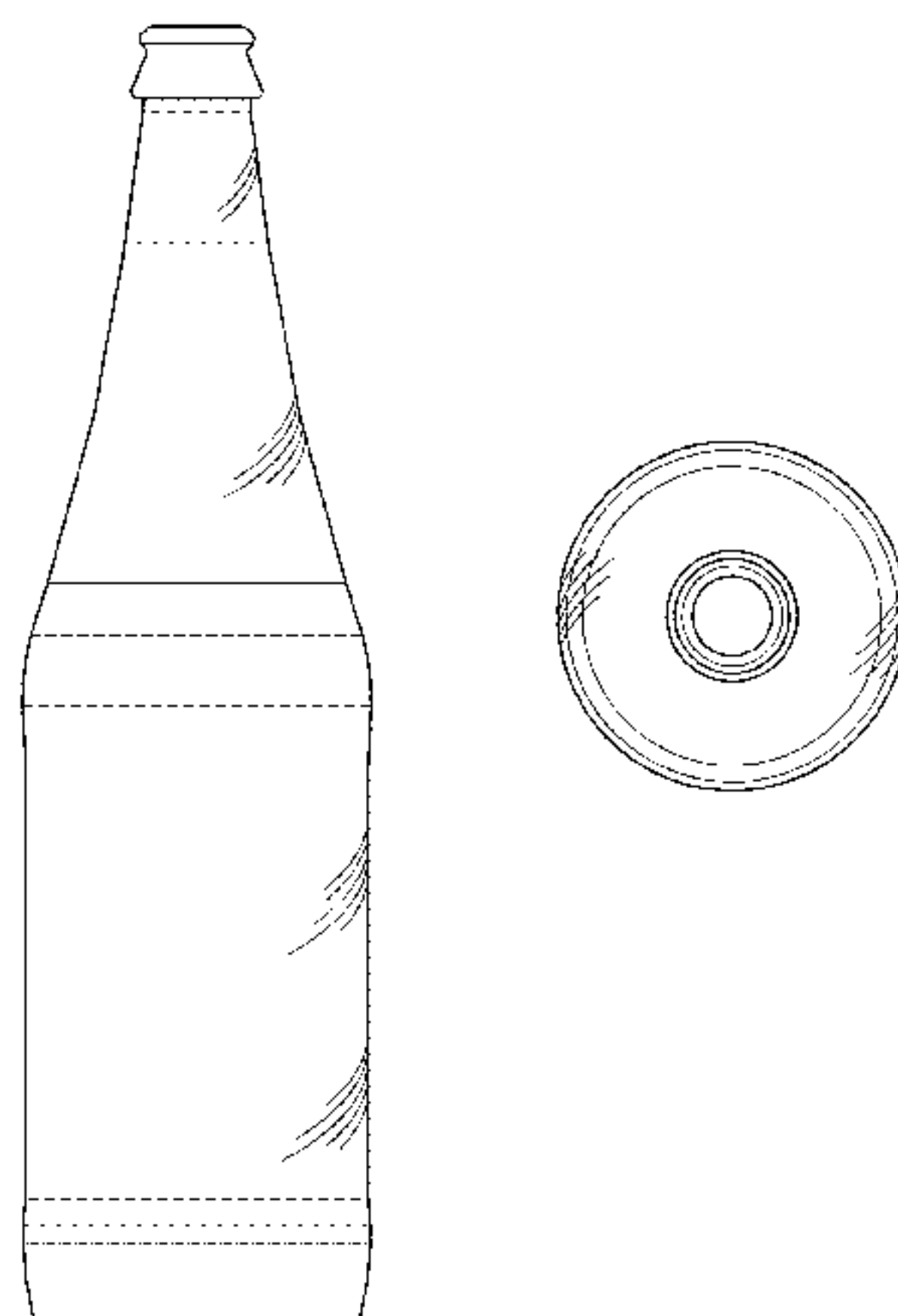
(57) **CLAIM**

We claim an ornamental design for a bottle, as shown and described.

DESCRIPTION

FIG. 1 is a perspective view of a bottle in accordance with our new design.
FIG. 2 is a front elevational view of the bottle in FIG. 1, both side elevational views and the rear elevational view being identical to FIG. 2; and,
FIG. 3 is a top plan view of the bottle in FIGS. 1-2, the bottle bottom forming no part of the claimed design.

1 Claim, 1 Drawing Sheet



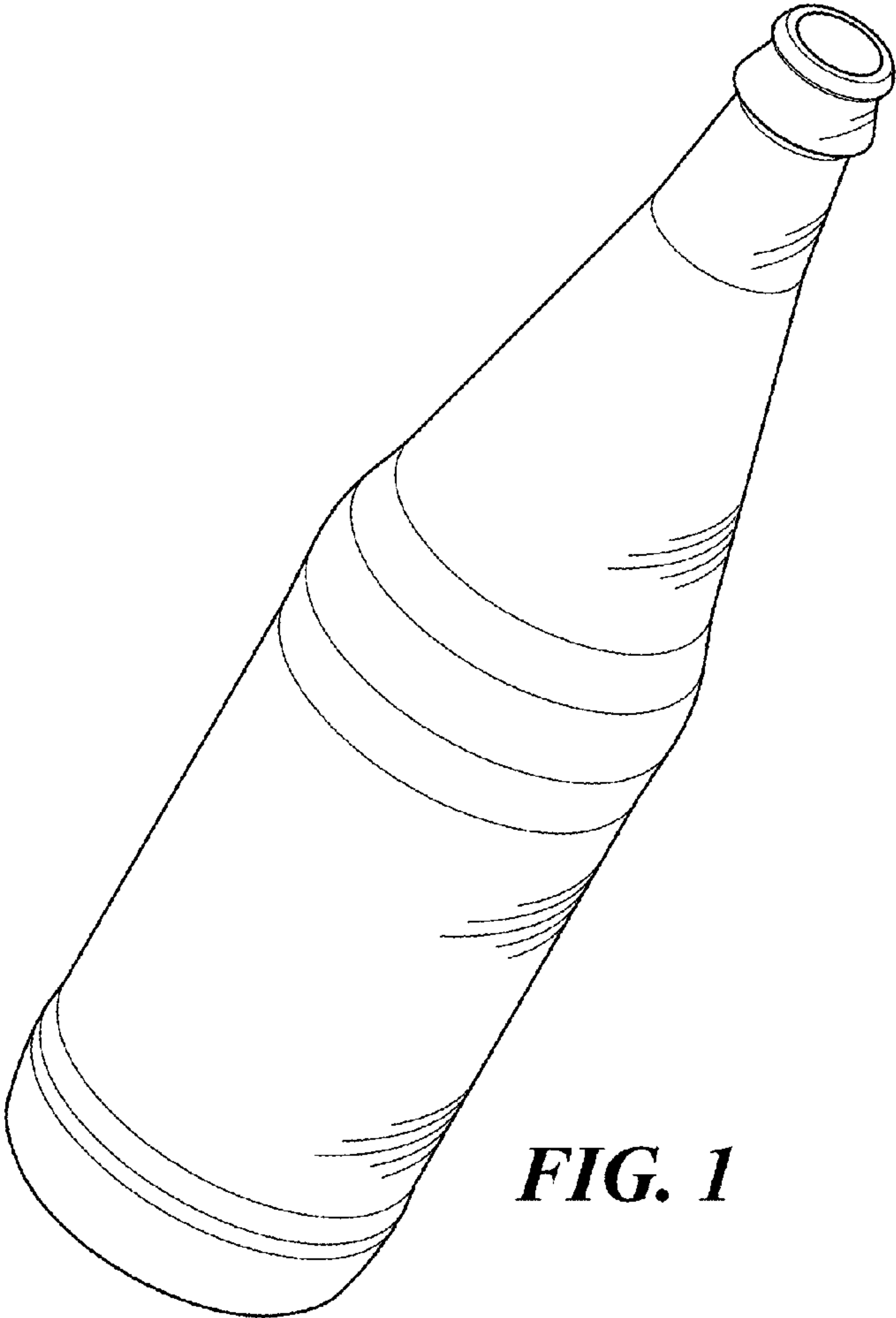


FIG. 1

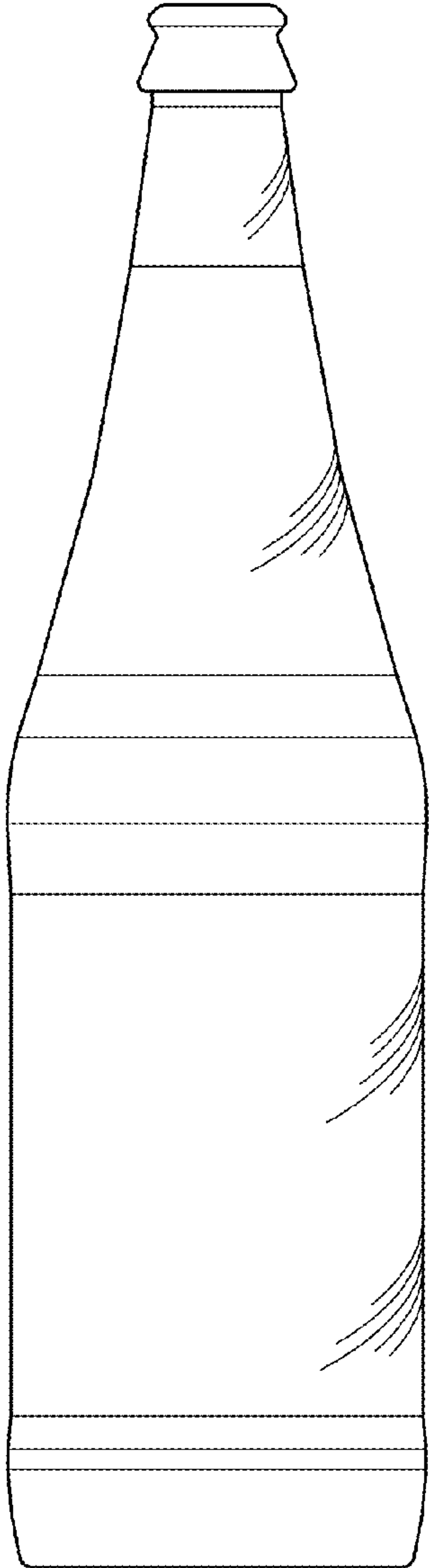


FIG. 2

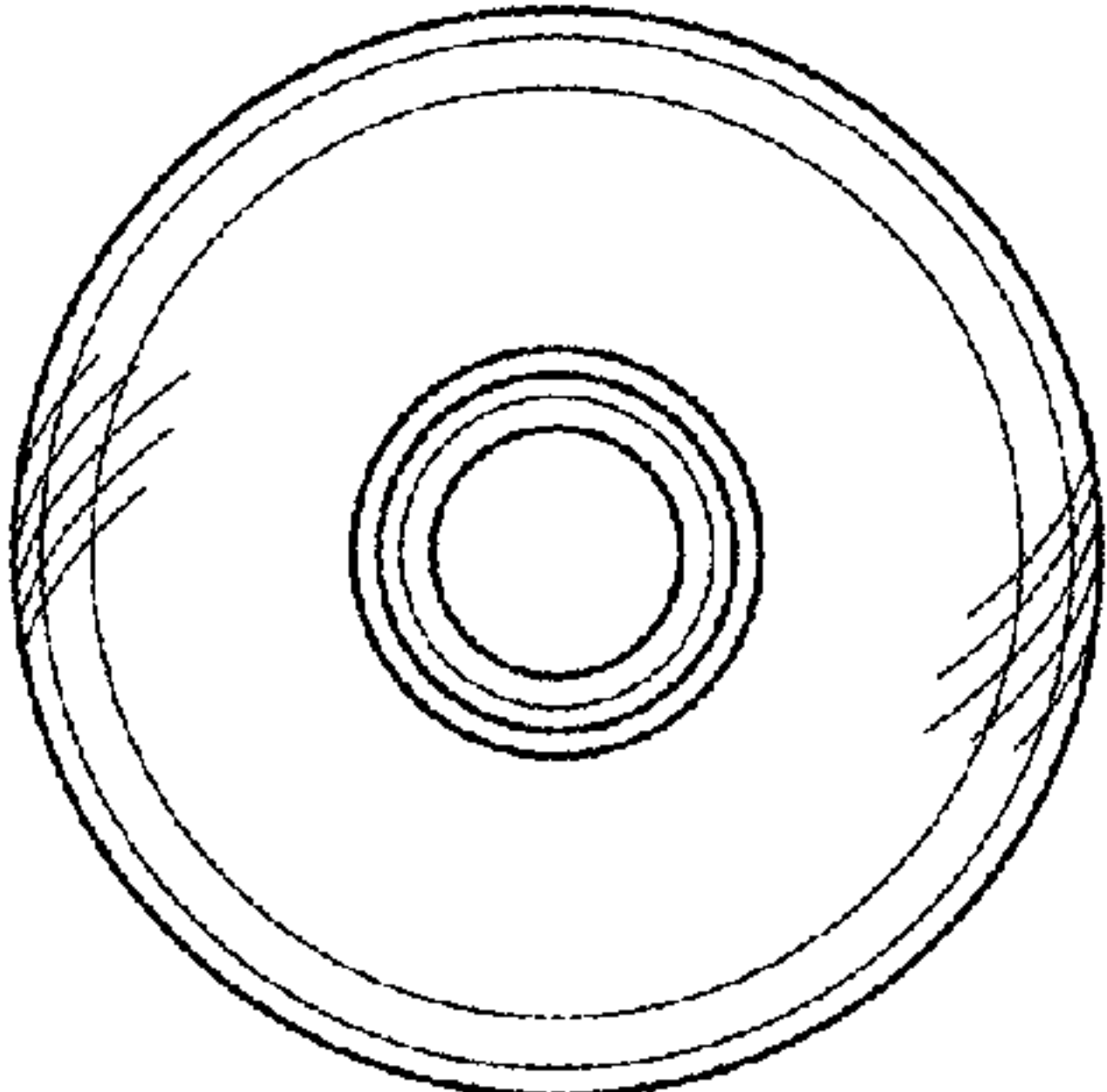


FIG. 3