



US00D763691S

(12) **United States Design Patent**
Marantis et al.

(10) **Patent No.:** **US D763,691 S**

(45) **Date of Patent:** **** Aug. 16, 2016**

(54) **CAP FOR A BOTTLE**

(71) Applicant: **CORNERSTONE CM, INC.**, Munster, IN (US)

(72) Inventors: **Michael G. Marantis**, Poland, OH (US); **Joshua W. Hubbard**, New Milford, CT (US); **Jonathan P. Richards**, Derby, CT (US); **Richard A. Ponton**, New Milford, CT (US)

(73) Assignee: **Cornerstone CM, Inc.**, Munster, IN (US)

(**) Term: **14 Years**

(21) Appl. No.: **29/509,028**

(22) Filed: **Nov. 13, 2014**

(51) **LOC (10) Cl.** **09-07**

(52) **U.S. Cl.**
USPC **D9/454**; D9/434; D9/435

(58) **Field of Classification Search**
USPC D3/202, 273, 275, 294; D6/516;
D7/300, 300.1, 316, 317, 387, 391,
D7/392.1, 393, 396.2, 509, 510, 511, 531,
D7/538, 541, 549, 629, 703, 900; D9/434,
D9/435, 438, 439, 440, 443, 446, 447, 448,
D9/449, 450, 452, 453, 454, 502, 503, 504,
D9/529; D19/70, 71, 93, 163, 194;
D26/36, 123, 124; 206/216, 538, 539,
206/546; 215/12.1, 42, 200, 217, 225, 226,
215/228, 230, 233, 235, 236, 237, 238, 249,
215/251, 253, 254, 305, 306, 321, 382;
220/254.2, 254.3, 254.5, 254.7, 254.9,
220/260, 264, 266, 285, 368, 521, 711, 714,
220/811, 812, 835, 837; 222/212, 254.5,
222/375, 484, 492, 494, 472, 480, 521, 544,
222/556, 810, 813, 835, 837

CPC A62C 31/02; B65D 1/02; B65D 1/0233;
B65D 1/08; B65D 1/10; B65D 23/00; B65D
23/08; B65D 23/10; B65D 25/00; B65D
25/40; B65D 25/42; B65D 25/46; B65D

25/48; B65D 25/77; B65D 39/00; B65D
39/0047; B65D 41/00; B65D 43/00; B65D
43/02; B65D 51/02; B65D 51/04; B05B
17/00; B05B 15/002; A45D 34/00; A45D
34/042; A45D 2040/0006; A45D 2040/093

See application file for complete search history.

(56) **References Cited**

U.S. PATENT DOCUMENTS

1,189,465 A 7/1916 Mayo
2,276,421 A 3/1942 Colin

(Continued)

Primary Examiner — Thomas Johannes

Assistant Examiner — Catherine Posthauer

(74) *Attorney, Agent, or Firm* — Tucker Ellis LLP; Carlos Garritano

(57) **CLAIM**

The ornamental design for a cap for a bottle, as shown and described.

DESCRIPTION

FIG. 1 is a top perspective view of a cap for a bottle showing our new design;

FIG. 2 is a bottom perspective view thereof;

FIG. 3 is a bottom view thereof;

FIG. 4 is a top side view thereof;

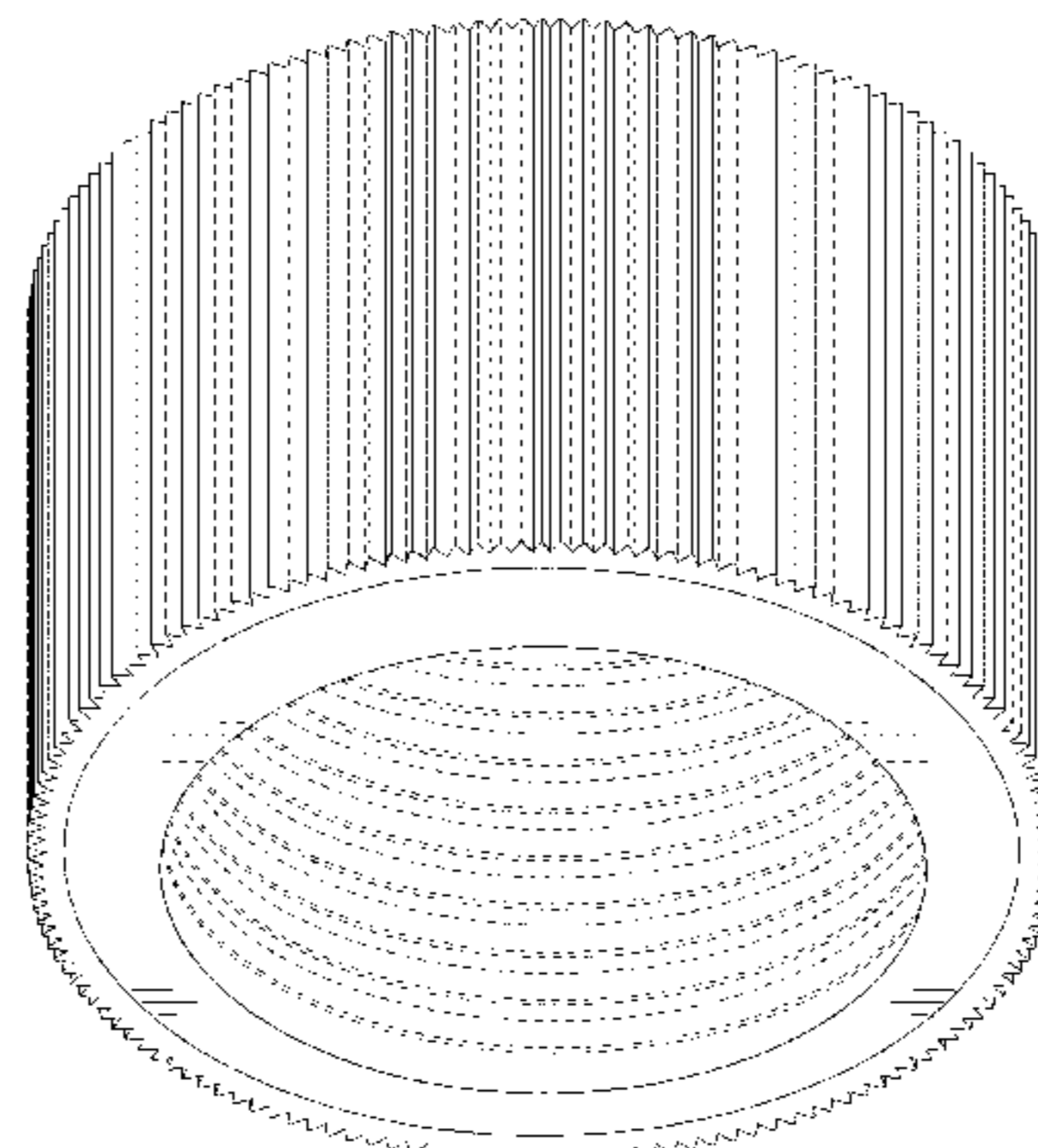
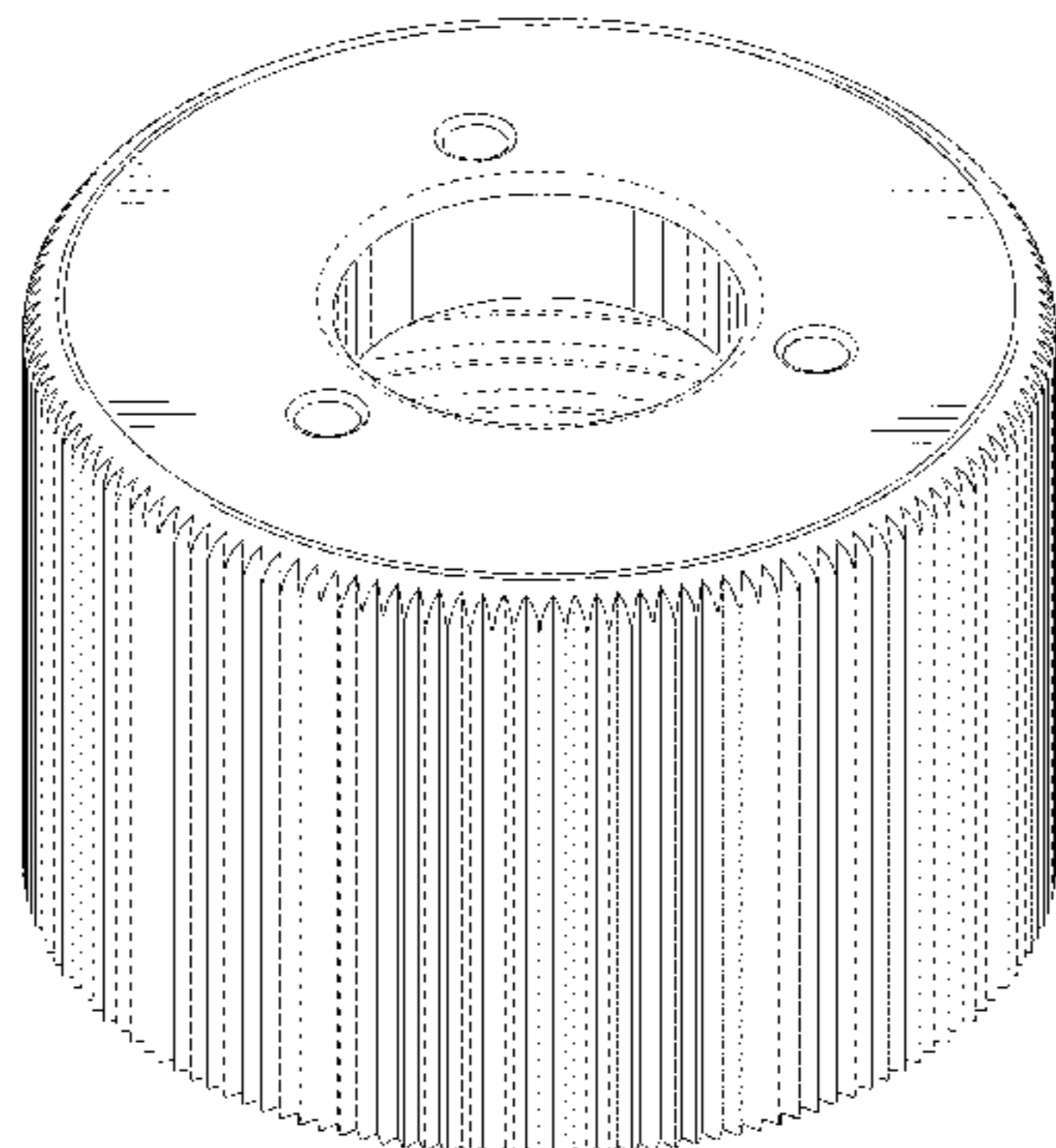
FIG. 5 is a left side view thereof with the right side view being a mirror image thereof;

FIG. 6 is a sectional view taken in the direction of 6-6 on FIG. 5; and,

FIG. 7 is an enlarged top view taken from the designation 7 on FIG. 4.

The broken lines shown for the purpose of illustrating parts of the cap for a bottle and form no part of the claimed design. The dot-dash lines shown on FIG. 4 are for the purpose of identifying the enlargement view of FIG. 7 and form no part of the claimed design.

1 Claim, 7 Drawing Sheets



(56)

References Cited

U.S. PATENT DOCUMENTS

2,911,123 A 11/1959 Saccomanno
 3,088,615 A 5/1963 Wheaton et al.
 D217,850 S 6/1970 Nelson
 3,965,902 A 6/1976 Reilly et al.
 4,376,439 A 3/1983 Lauterjung
 5,188,622 A 2/1993 Muller et al.
 D374,376 S * 10/1996 Goins D7/392.1
 5,902,298 A 5/1999 Niedospial et al.
 5,921,419 A 7/1999 Niedospial et al.
 5,960,837 A 10/1999 Cude
 5,971,181 A 10/1999 Niedospial et al.
 D472,471 S 4/2003 McClure et al.
 D489,992 S 5/2004 Brauner et al.
 6,981,602 B2 * 1/2006 Ma B29C 43/42
 215/254
 D520,363 S 5/2006 Perez
 7,048,724 B2 5/2006 Grossman
 7,153,294 B1 12/2006 Farrow
 7,178,683 B2 * 2/2007 Birkmayer B65D 41/3442
 206/222
 D619,003 S * 7/2010 Benoit-Gonin D9/453
 D619,004 S * 7/2010 Fallat, II D9/454
 D620,362 S 7/2010 Boukobza
 7,799,009 B2 9/2010 Niedospial et al.

7,874,441 B2 * 1/2011 Bloom B65D 51/145
 215/276
 D632,958 S * 2/2011 Fuchs D9/453
 D634,200 S * 3/2011 Taber D9/453
 D634,633 S * 3/2011 Moreau D9/448
 D673,852 S * 1/2013 Wood D9/453
 D673,854 S 1/2013 James
 D680,369 S * 4/2013 Starks D7/392.1
 D682,610 S * 5/2013 Carder D7/392.1
 8,495,854 B2 * 7/2013 Seidita B65B 7/2835
 53/471
 D688,128 S * 8/2013 Krause D9/453
 D688,129 S * 8/2013 Krause D9/453
 D694,110 S * 11/2013 Tanner D9/452
 8,695,821 B2 * 4/2014 Bashyam B65D 41/0485
 215/252
 D716,653 S * 11/2014 Balembois D9/435
 D723,370 S * 3/2015 Medlin D9/453
 D723,919 S * 3/2015 Taber D9/438
 D727,152 S * 4/2015 Yaseen D9/454
 D736,625 S * 8/2015 Laureano D9/454
 2003/0208165 A1 11/2003 Christensen et al.
 2006/0000793 A1 * 1/2006 Mavin B65D 47/103
 215/253
 2010/0270260 A1 10/2010 Jung
 2011/0114593 A1 * 5/2011 Ishii B65D 41/325
 215/253

* cited by examiner

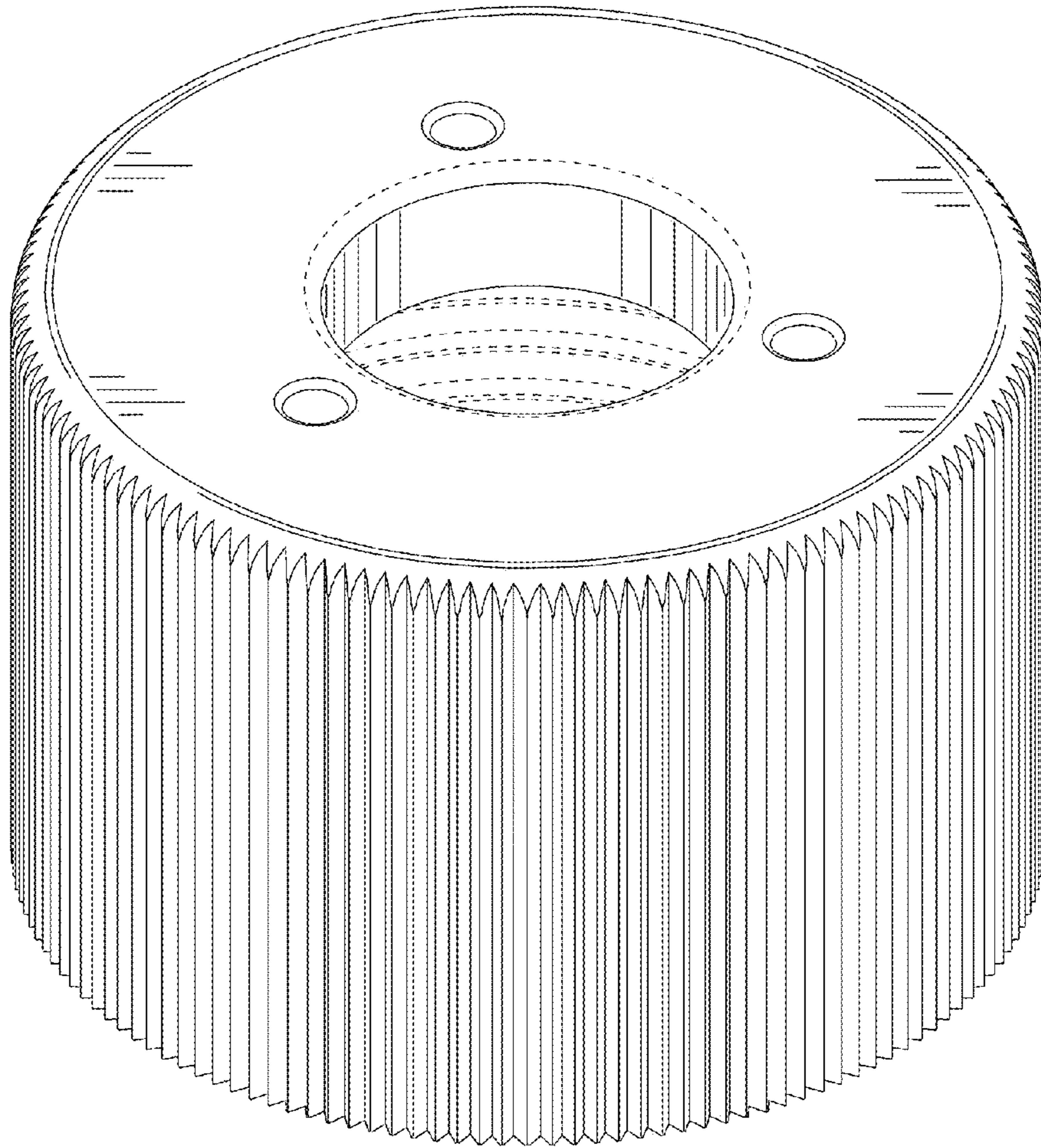


FIG. 1

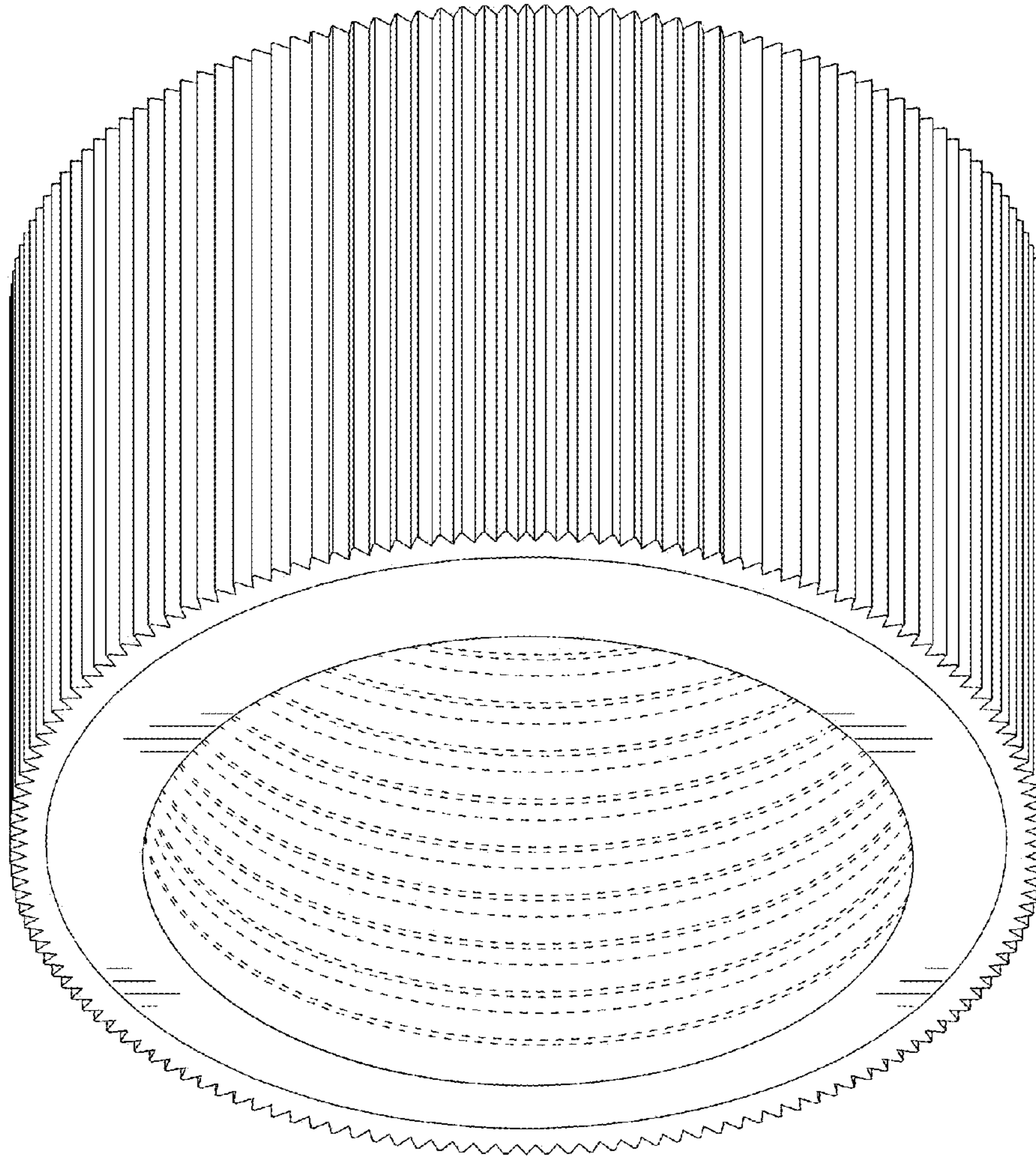


FIG. 2

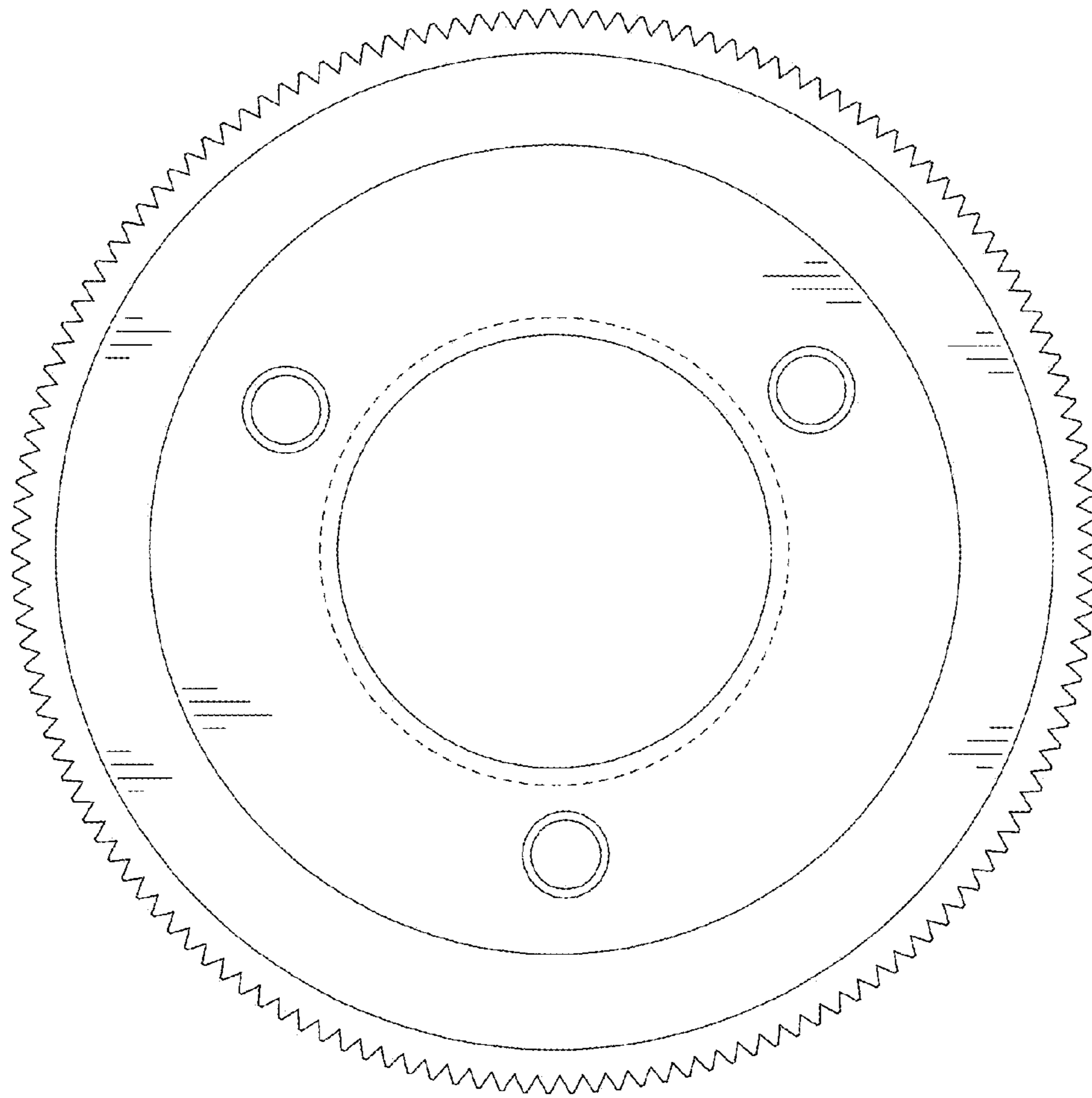


FIG. 3

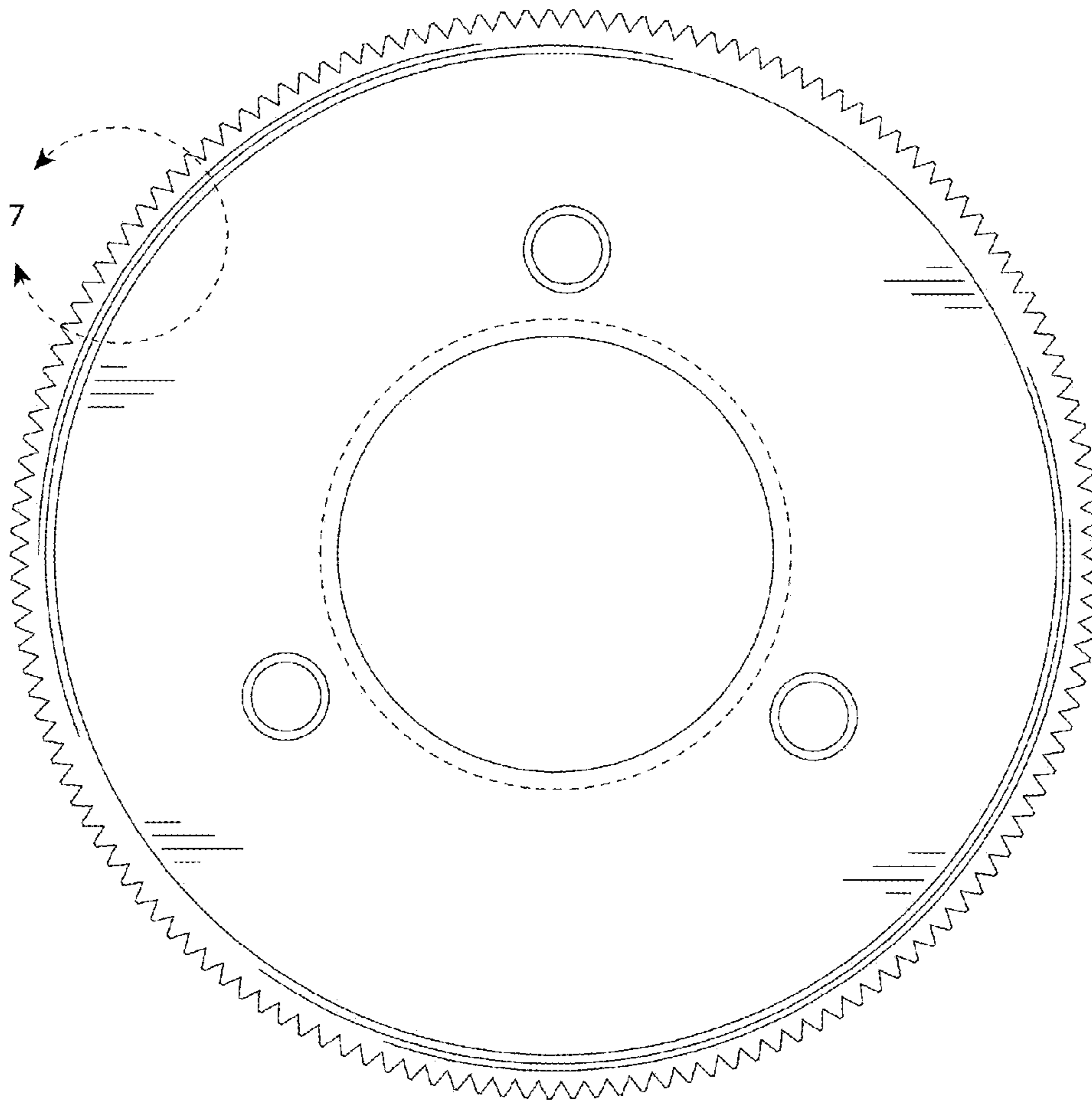


FIG. 4

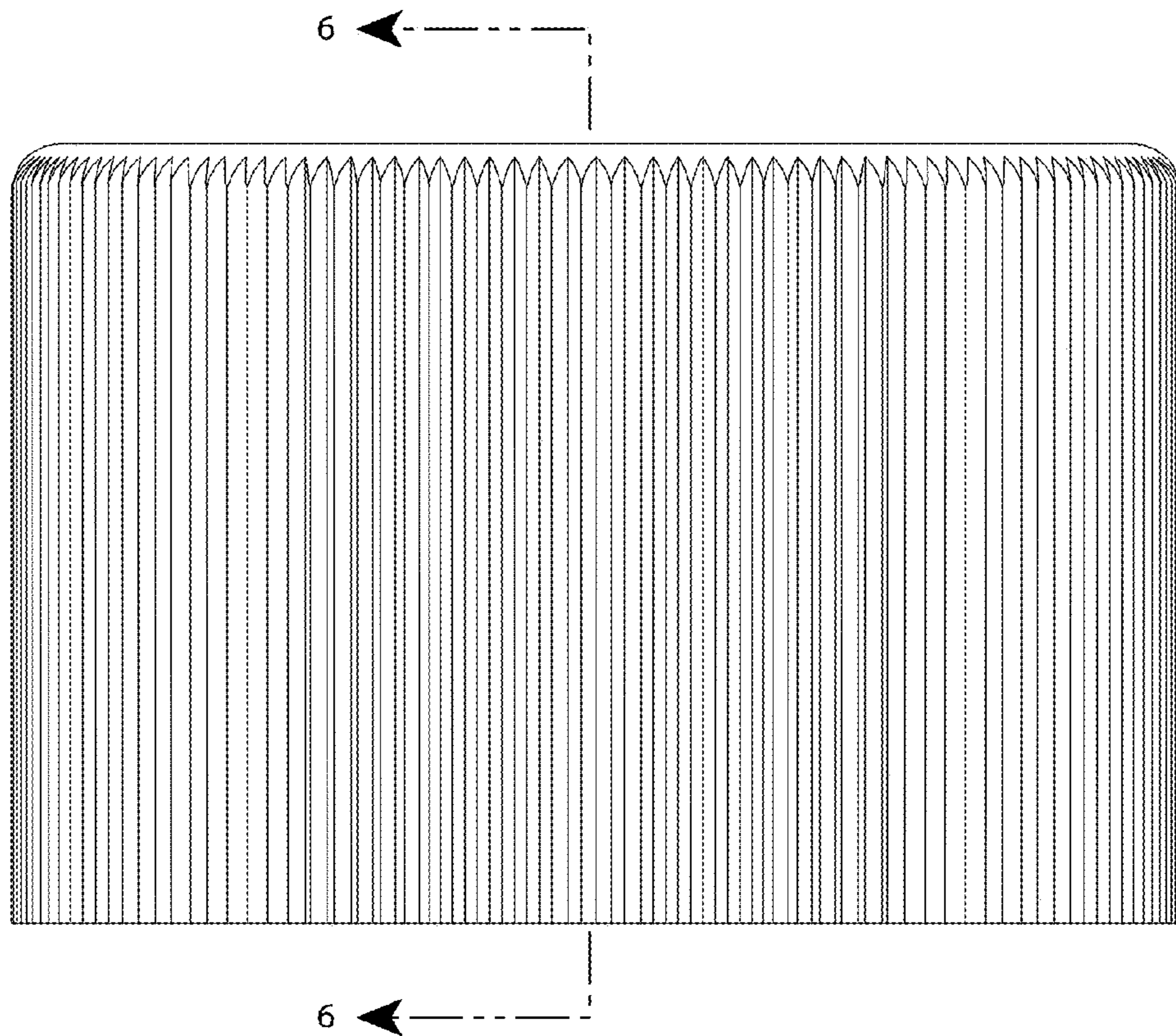


FIG. 5

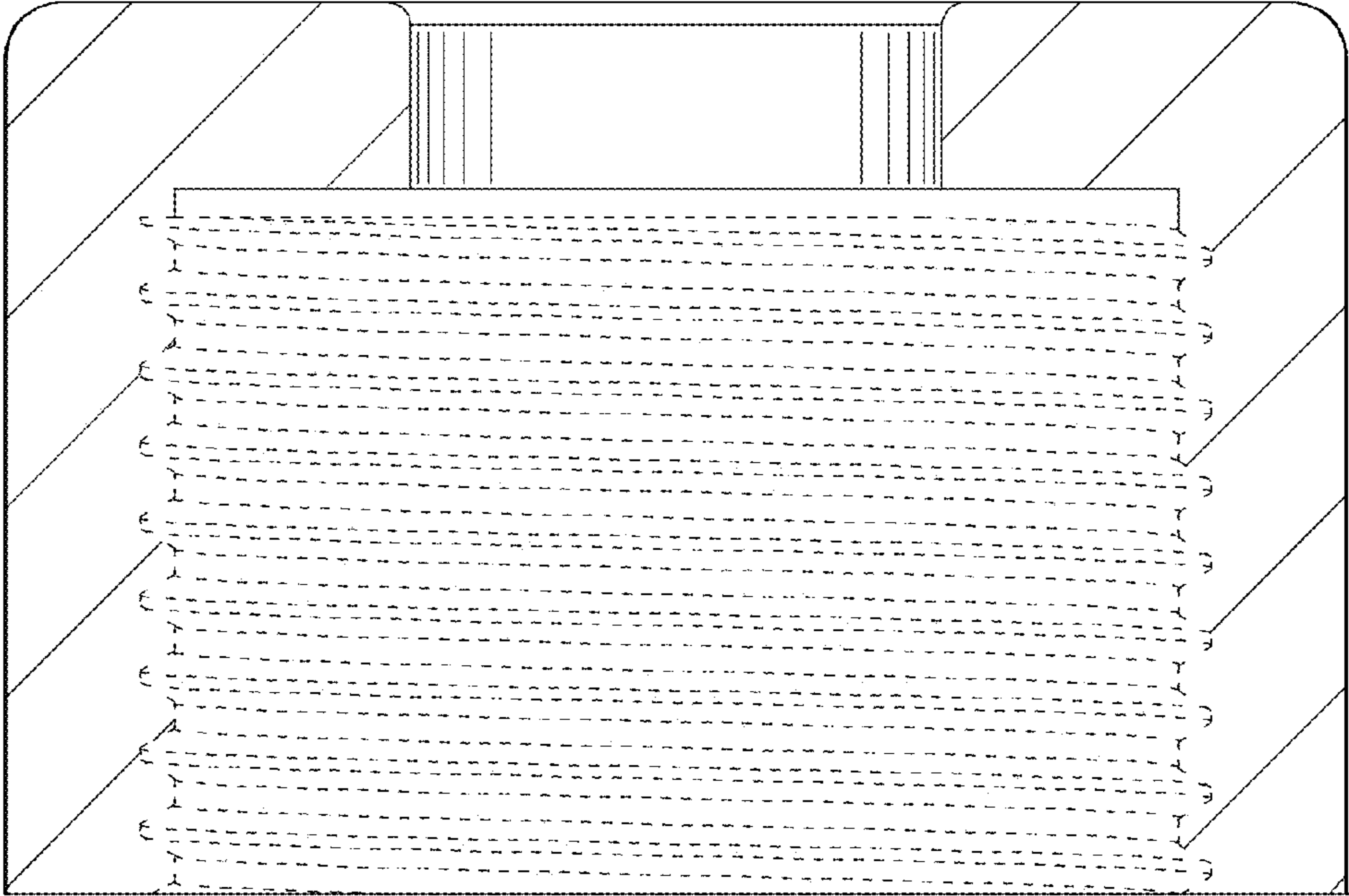


FIG. 6

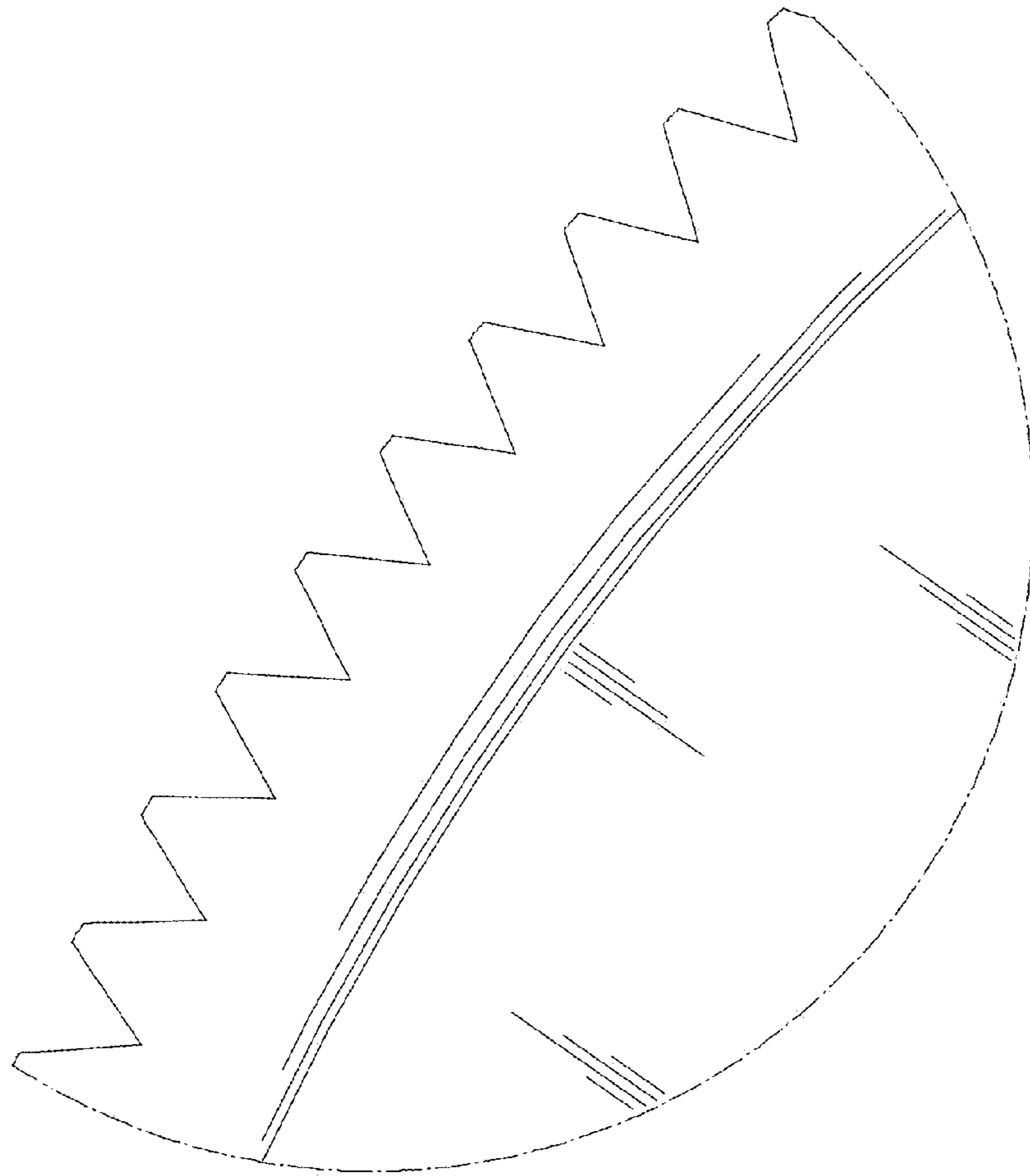


FIG. 7