

US00D763689S

(12) **United States Design Patent**
Crumb, Jr.

(10) **Patent No.:** **US D763,689 S**

(45) **Date of Patent:** **** Aug. 16, 2016**

- (54) **FOOTBALL CUP LID**
- (71) Applicant: **Crumbs Ventures LLC**, Washington, DC (US)
- (72) Inventor: **James McFrancis Crumb, Jr.**, Herndon, VA (US)
- (**) Term: **14 Years**
- (21) Appl. No.: **29/482,411**
- (22) Filed: **Feb. 18, 2014**
- (51) **LOC (10) Cl.** **09-07**
- (52) **U.S. Cl.**
USPC **D9/451**; D7/392.1
- (58) **Field of Classification Search**
USPC D9/632, 668, 434, 441, 451;
D7/514-515, 517, 519-520, 392.1,
D7/901; D3/270-271.1; 215/381-384,
215/387-388; 206/376, 457, 527
See application file for complete search history.

D370,154 S *	5/1996	Gruneisen, III	D7/515
D424,375 S *	5/2000	D'Arrigo	D7/515
D518,596 S *	4/2006	Angeletta	D9/668
D574,664 S *	8/2008	Thompson	D7/515
D589,765 S *	4/2009	Zuloff	D7/515
D621,657 S *	8/2010	Quinn	D7/515
D627,233 S *	11/2010	Blakeman	D9/668
D666,919 S *	9/2012	Gelin	D9/668

* cited by examiner

Primary Examiner — Sandra Morris

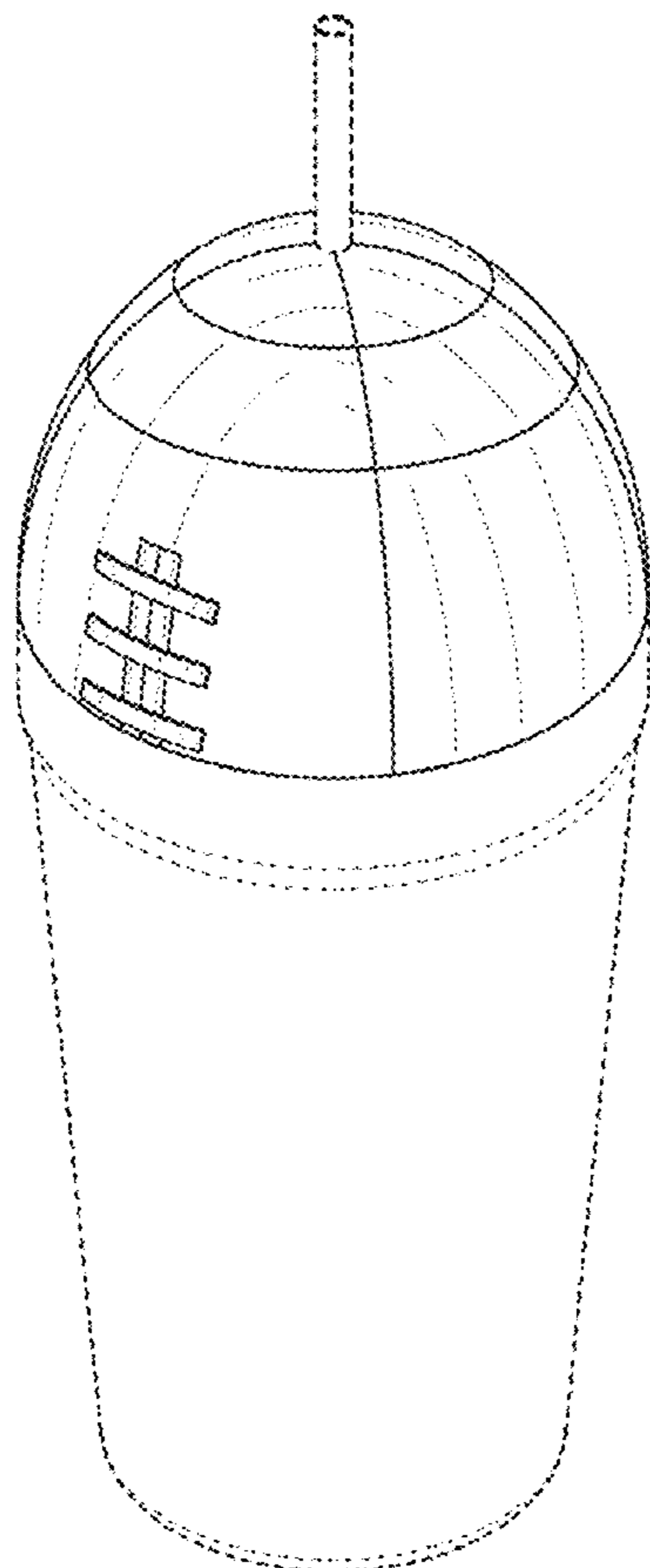
(57) **CLAIM**
The ornamental design for a football cup lid, as shown and described.

DESCRIPTION

FIG. 1 is a right front side perspective view of the football cup lid, showing my new design;
FIG. 2 is a front view of the football cup lid design.
FIG. 3 is a rear view of the football cup lid design.
FIG. 4 is a left side view of the football cup lid design.
FIG. 5 is a right side view of the football cup lid design.
FIG. 6 is a top view of the football cup lid design; and,
FIG. 7 is a bottom view of the football cup lid design.
The broken lines shown in FIGS. 1-7 represent portions of the football cup lid that form no part of the claim.

- (56) **References Cited**
U.S. PATENT DOCUMENTS
4,164,284 A * 8/1979 Witt et al. D7/901
D323,602 S * 2/1992 Katz D7/619.2

1 Claim, 6 Drawing Sheets



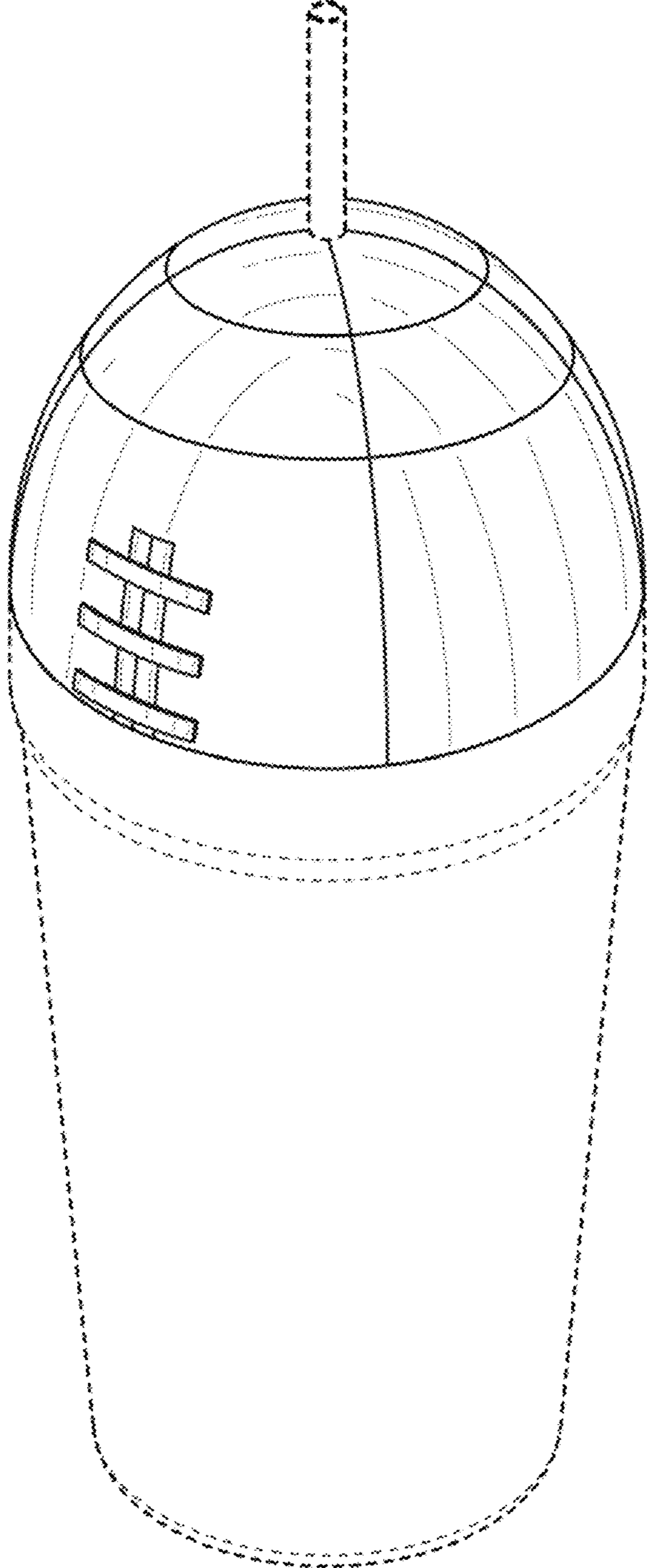


FIG. 1

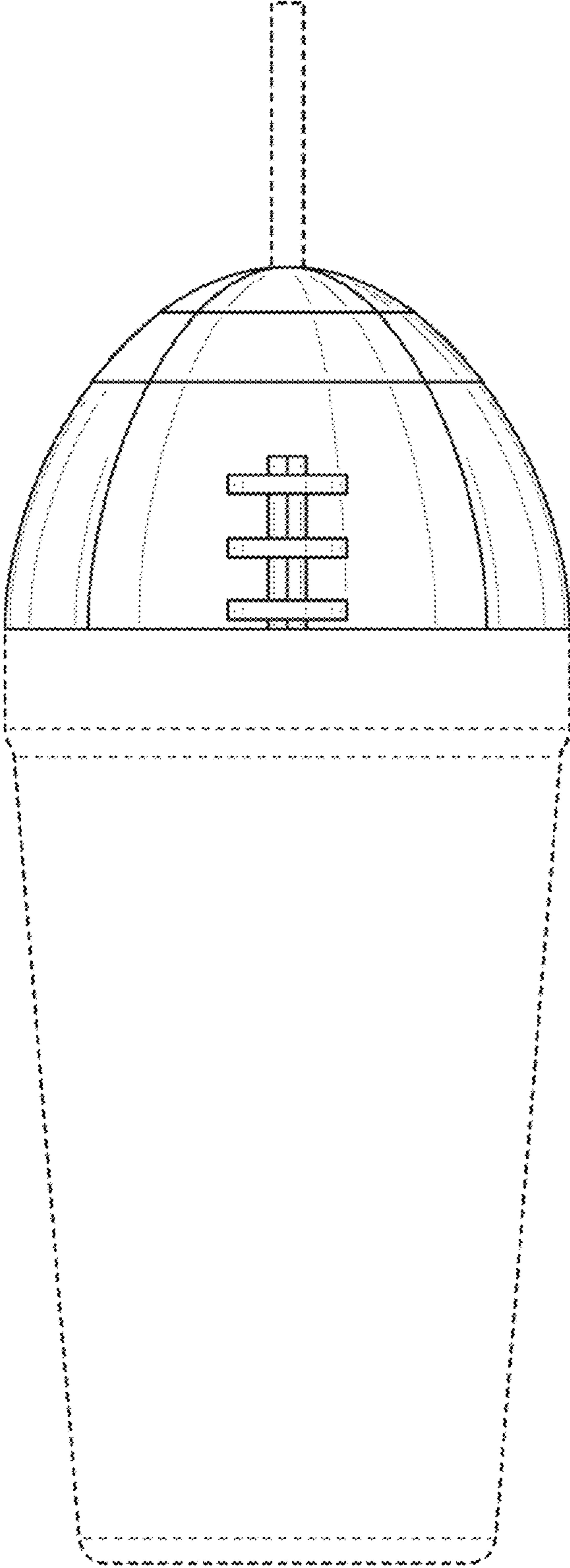


FIG. 2

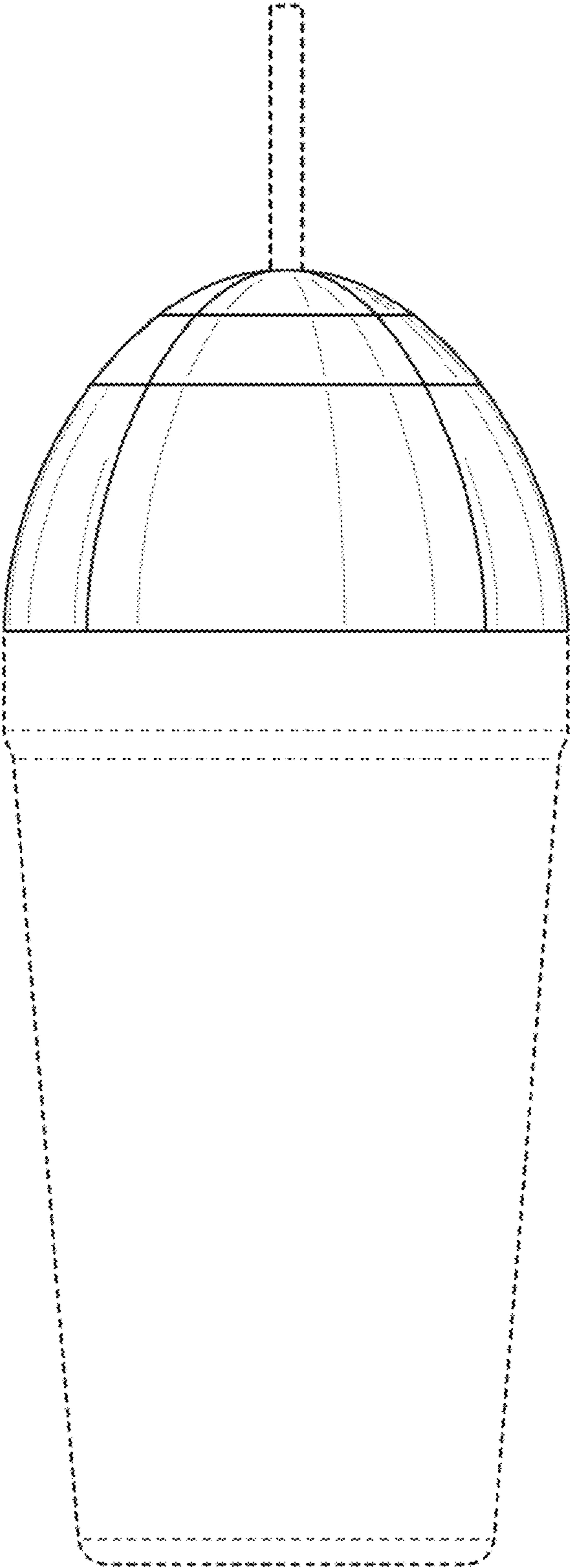


FIG. 3

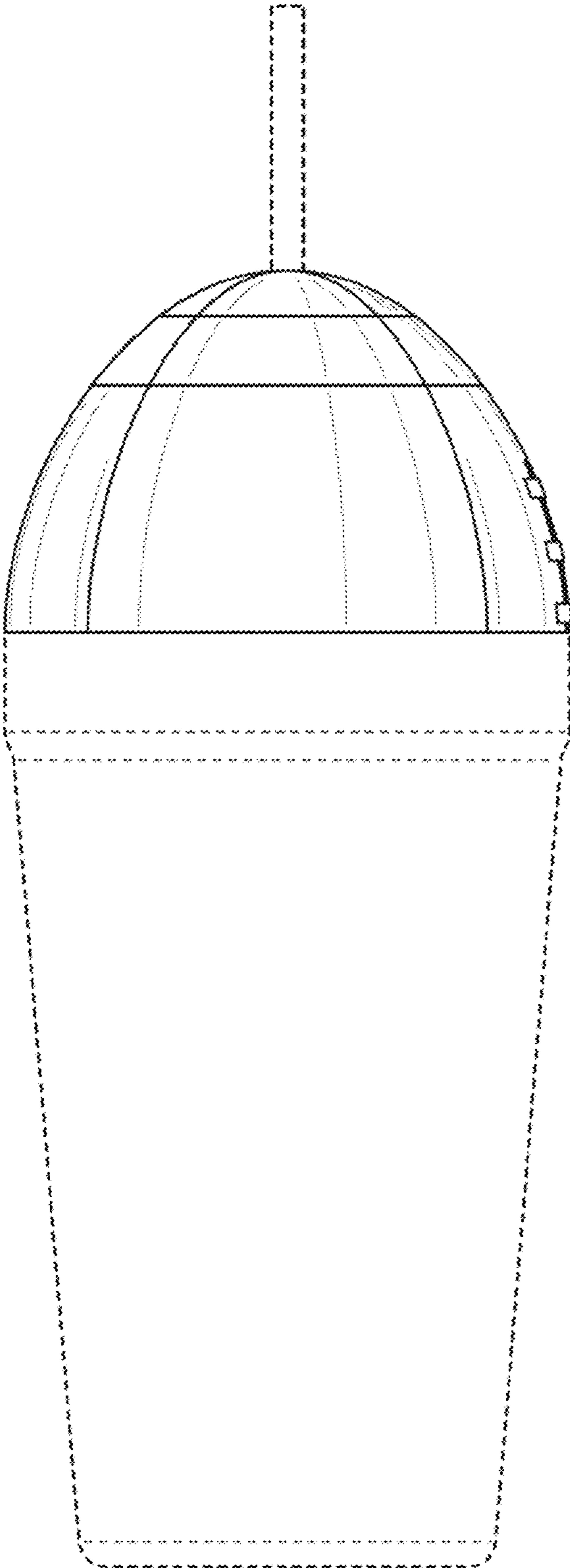


FIG. 4

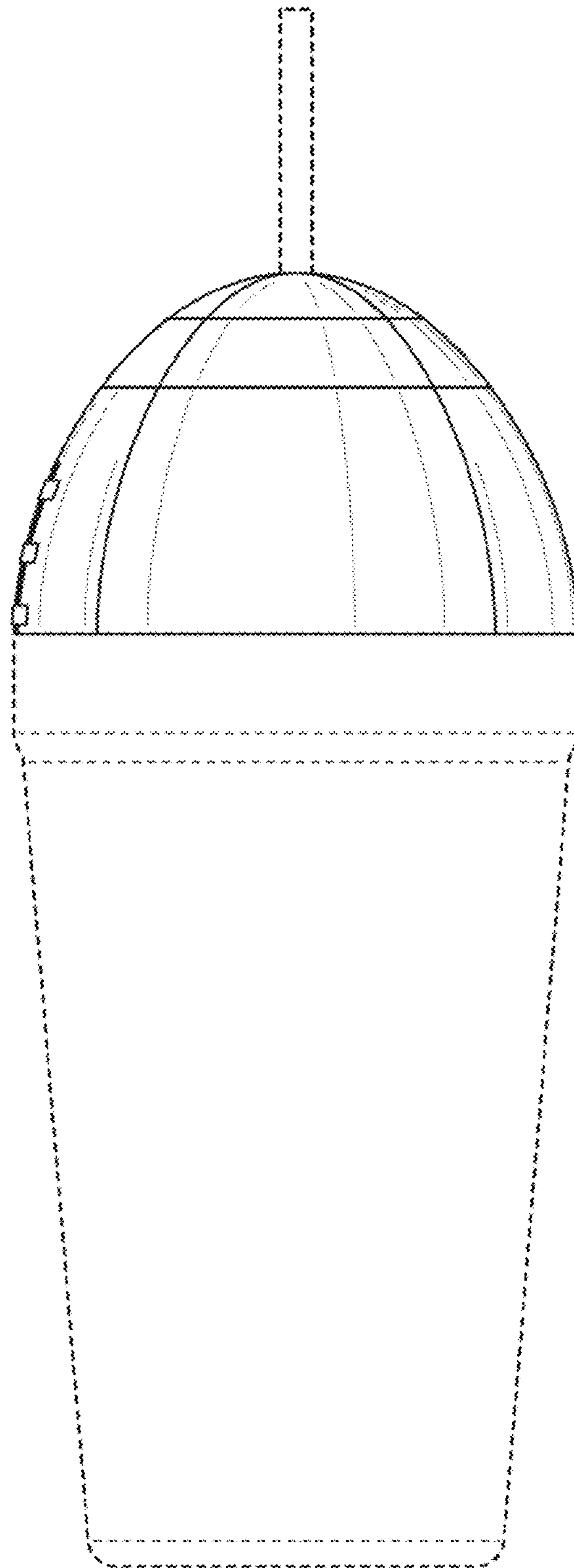


FIG. 5

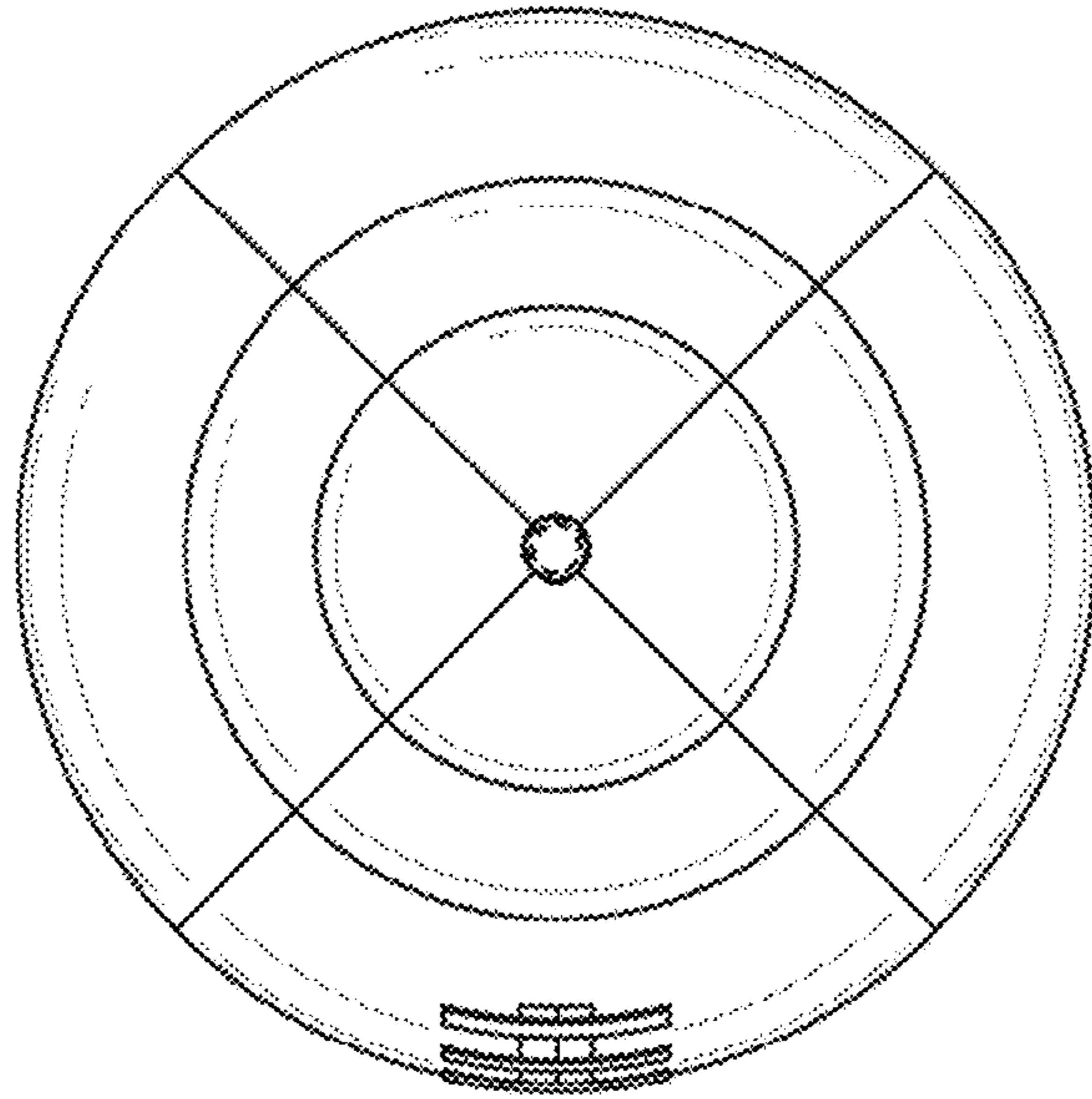


FIG. 6

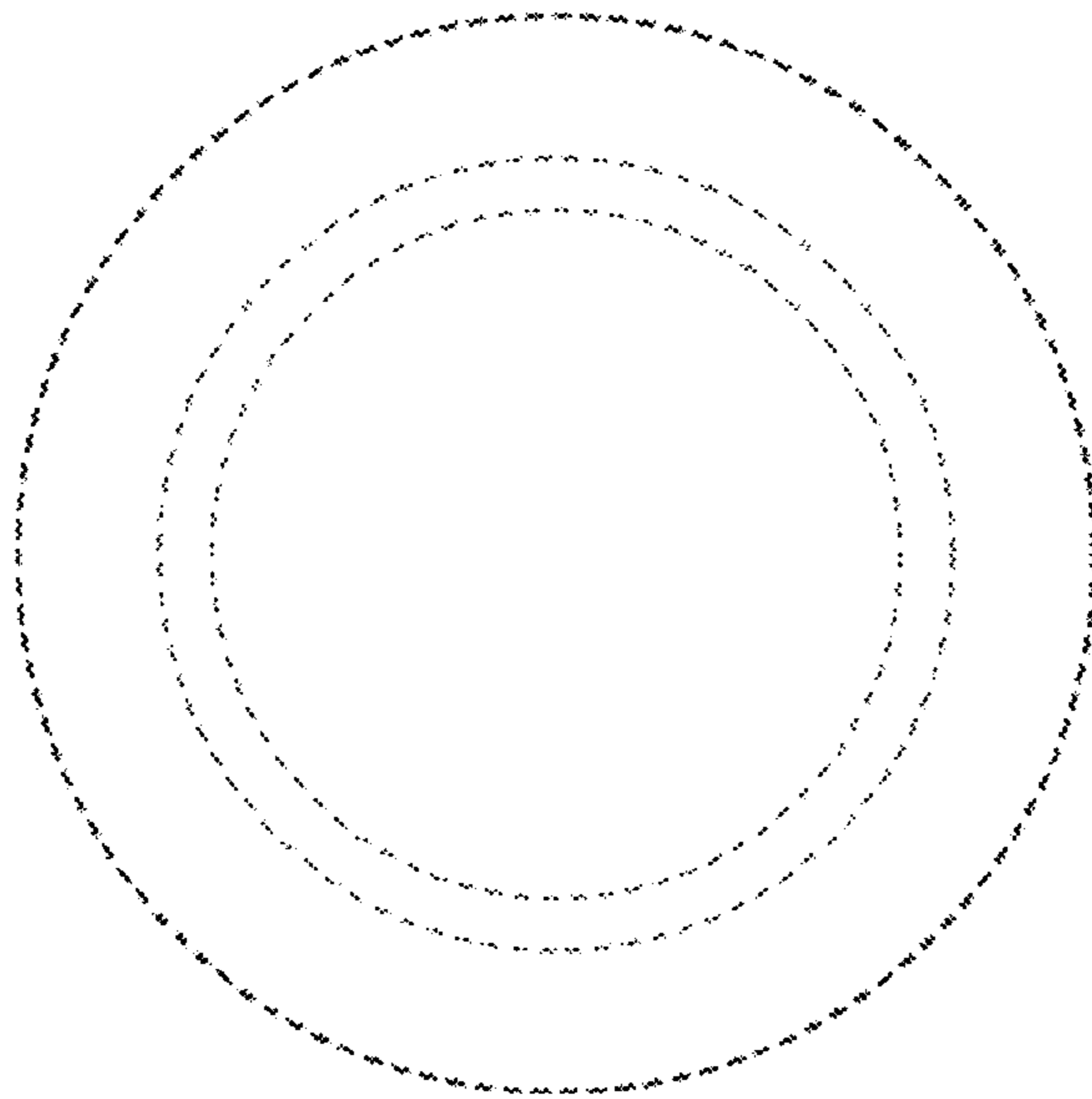


FIG. 7