

US00D763688S

(12) **United States Design Patent**
Breit et al.

(10) **Patent No.:** **US D763,688 S**

(45) **Date of Patent:** **** Aug. 16, 2016**

(54) **MISTING AND SIPPING BOTTLE CAP**
(71) Applicant: **O2Cool, LLC**, Chicago, IL (US)
(72) Inventors: **Oliver Breit**, Discovery Bay (HK);
Jason Yap, Melbourne (AU)
(73) Assignee: **O2COOL, LLC**, Chicago, IL (US)

8,905,252 B2 * 12/2014 Latham B65D 51/18
215/228
D721,276 S * 1/2015 Herbst D7/396.2
D729,569 S * 5/2015 Herbst D7/392
D734,151 S * 7/2015 Herbst D9/448
D739,174 S * 9/2015 Elsaden D7/392.1
D747,918 S * 1/2016 Herbst D7/392.1
D748,943 S * 2/2016 Miller D7/392.1
2015/0173539 A1 * 6/2015 Mason A47G 19/2272
220/707

(**) Term: **15 Years**

OTHER PUBLICATIONS

(21) Appl. No.: **29/528,332**

O2COOL "Prism Bottle with Windsor Mist 'N Sip Top—24oz."
(on-line), retrieved from Internet Mar. 17, 2016, URL: http://www.o2-cool.com/hmrsr08?page_id=886 (3 pages).*

(22) Filed: **May 28, 2015**

(51) **LOC (10) Cl.** **09-07**

* cited by examiner

(52) **U.S. Cl.**

USPC **D9/443**

(58) **Field of Classification Search**

USPC D9/429, 434–436, 439–454, 499, 600,
D9/601, 614–617, 620, 623, 624, 628;
D7/387, 392, 393, 396.2, 510, 511,
D7/514–517, 598, 599, 612.2, 623, 628;
D3/202, 294, 318

CPC A61J 1/1412; B65D 1/02; B65D 1/323;
B65D 1/0246; B65D 25/40; B65D 25/42;
B65D 25/44; B65D 41/56; B65D 41/62;
B65D 47/06; B65D 47/08

See application file for complete search history.

Primary Examiner — Karen S Acker

Assistant Examiner — Wendy Arminio

(74) *Attorney, Agent, or Firm* — Thompson Coburn LLP

(57) **CLAIM**

We claim the ornamental design for a misting and sipping bottle cap, as shown and described.

DESCRIPTION

FIG. 1 is a front perspective view taken from the top left corner of the misting and sipping bottle cap showing our new design;

FIG. 2 is a rear perspective view taken from the left bottom rear corner of the misting and sipping bottle cap;

FIG. 3 is a right side view thereof;

FIG. 4 is a left side view thereof;

FIG. 5 is a rear view thereof;

FIG. 6 is a front view thereof;

FIG. 7 is a top plan view thereof; and,

FIG. 8 is a bottom view thereof.

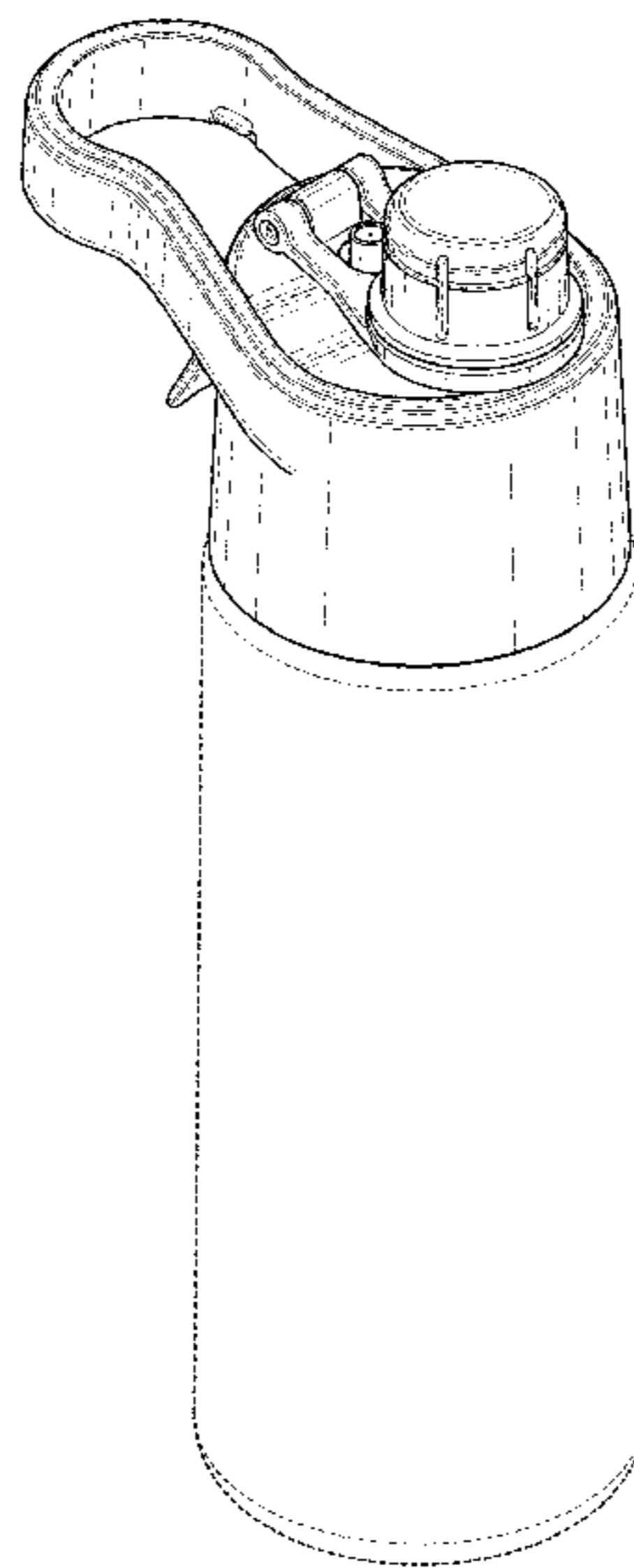
The broken lines in the drawings depict environmental subject matter only and form no part of the claimed design.

(56) **References Cited**

U.S. PATENT DOCUMENTS

D547,607 S * 7/2007 Forsman D7/396.2
D586,183 S * 2/2009 Junkel D7/511
D629,644 S * 12/2010 Zhuang D7/392.1
D652,256 S * 1/2012 Eyal D7/510
D657,618 S * 4/2012 Wahl D7/392.1
D700,012 S * 2/2014 Hurley D7/392.1
D700,515 S * 3/2014 Herbst D9/448
D716,657 S * 11/2014 Caneer D9/443
D719,780 S * 12/2014 Sullivan D7/392.1

1 Claim, 7 Drawing Sheets



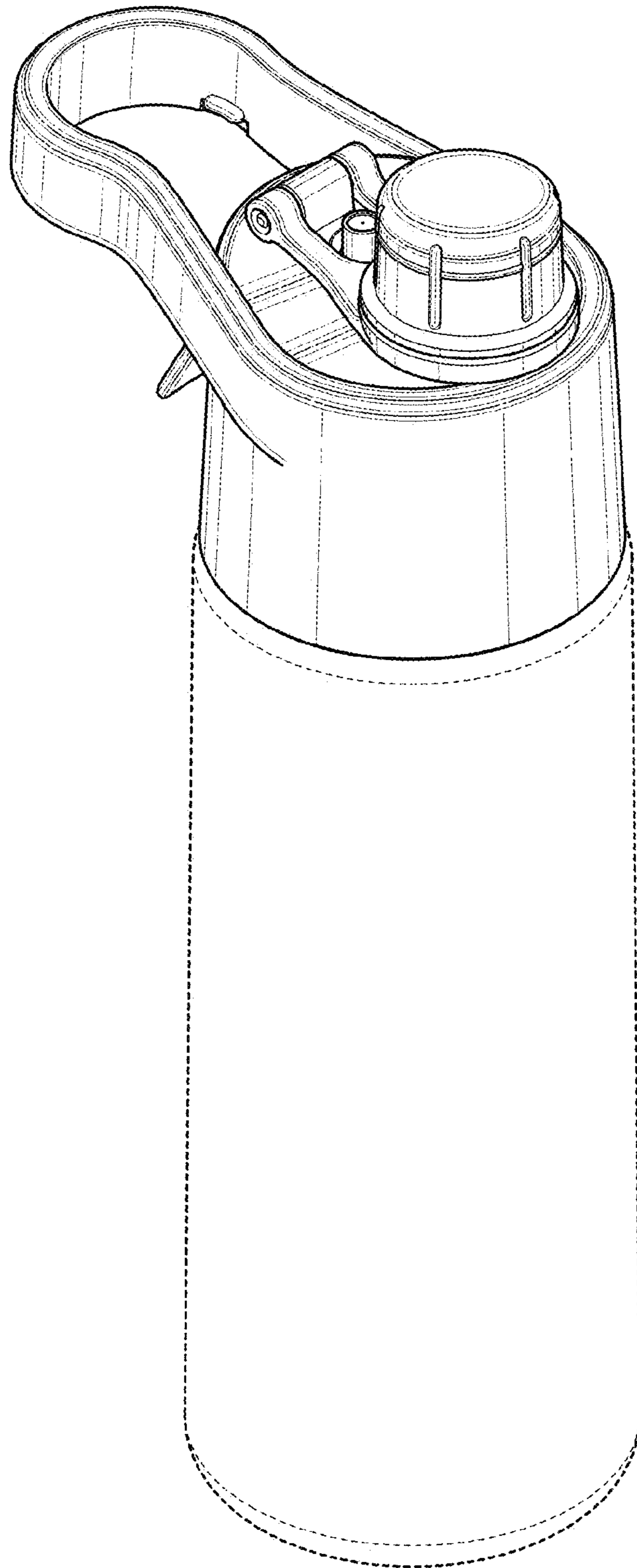


FIG. 1

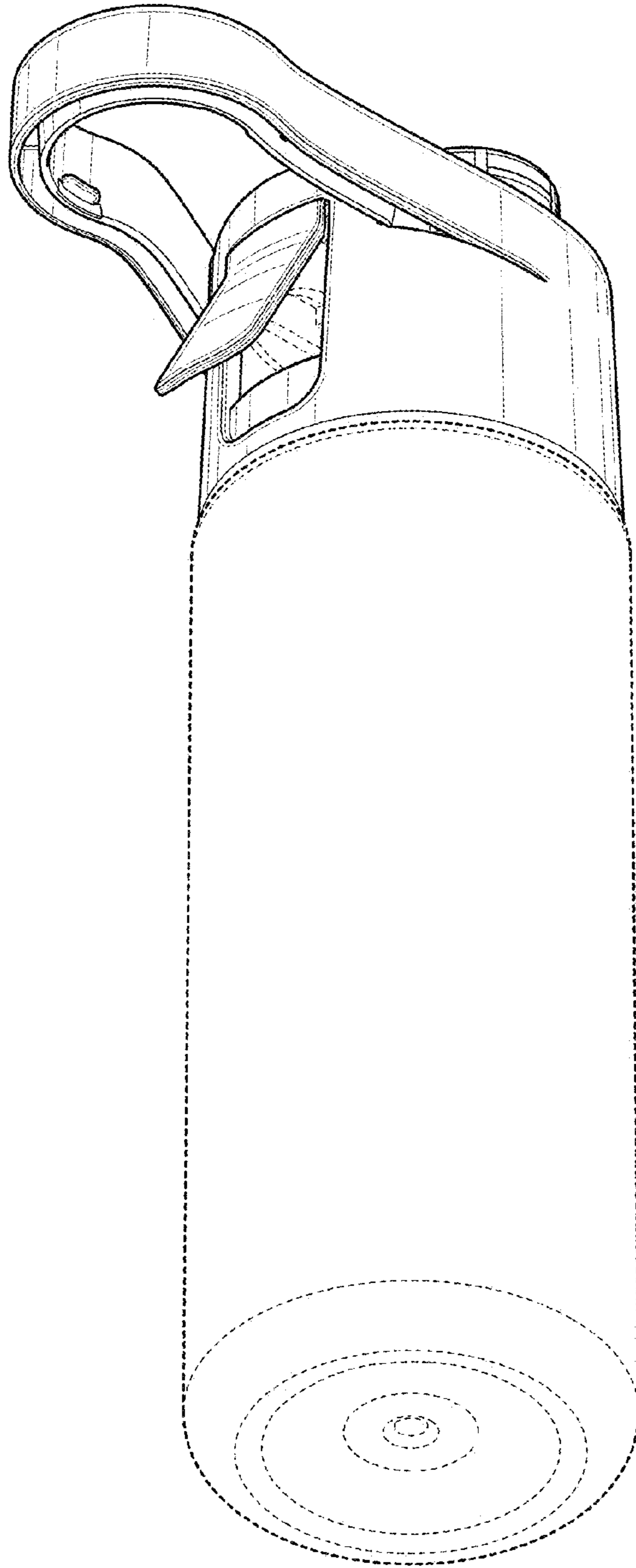


FIG. 2

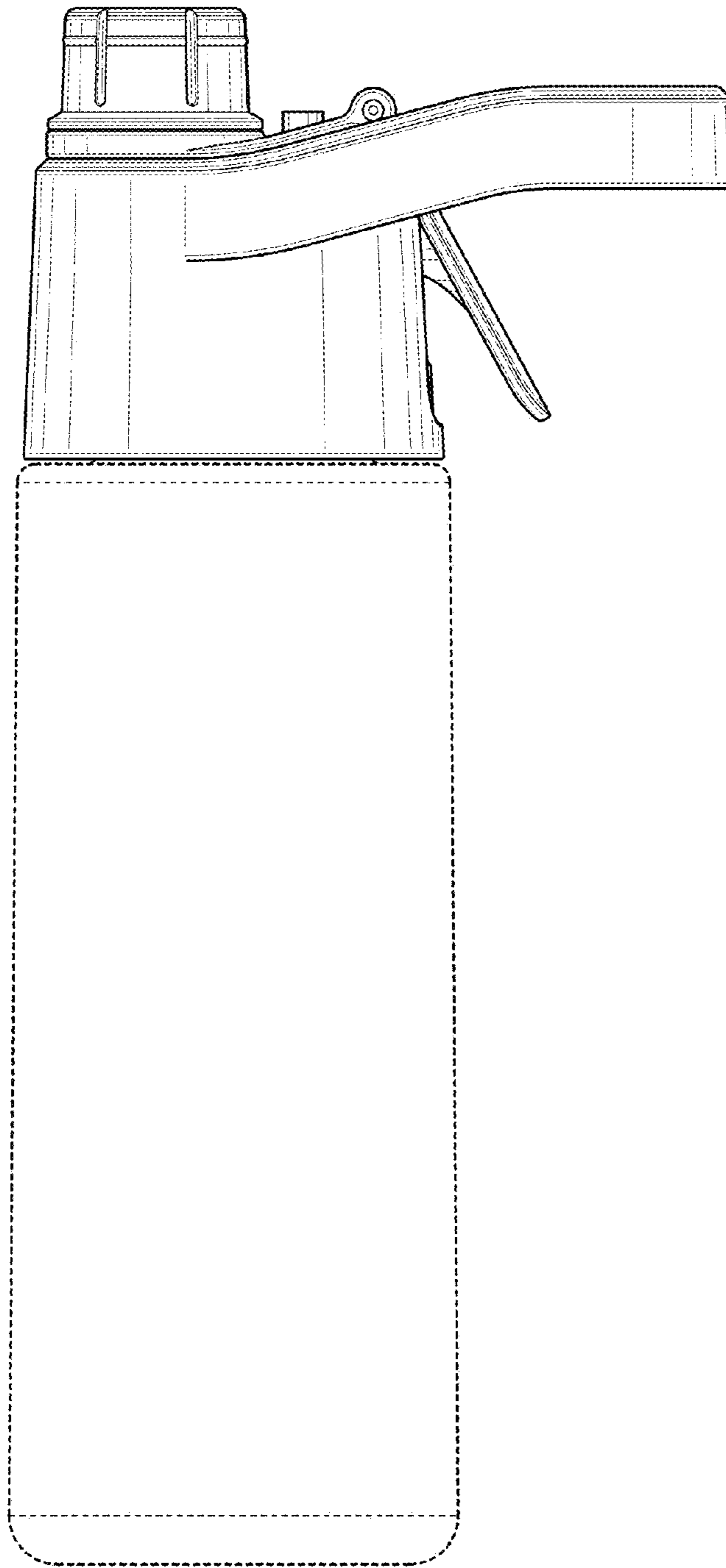


FIG. 3

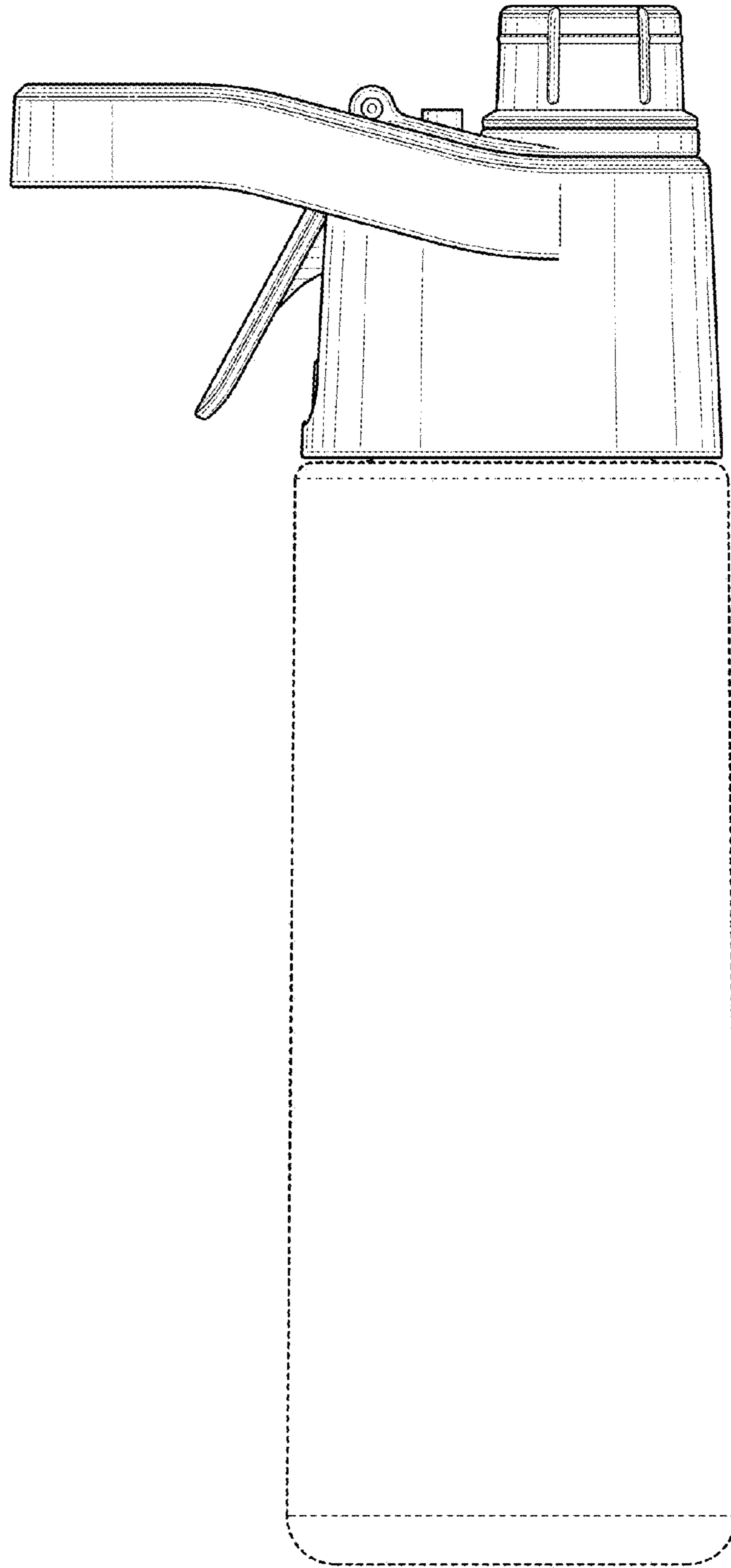


FIG. 4

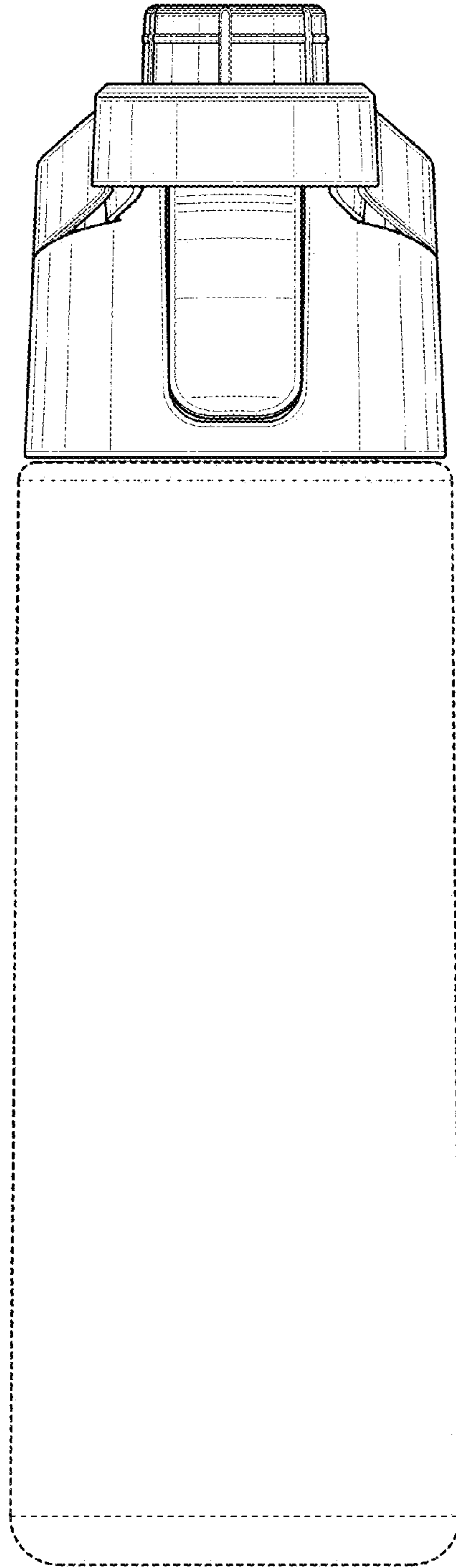


FIG. 5

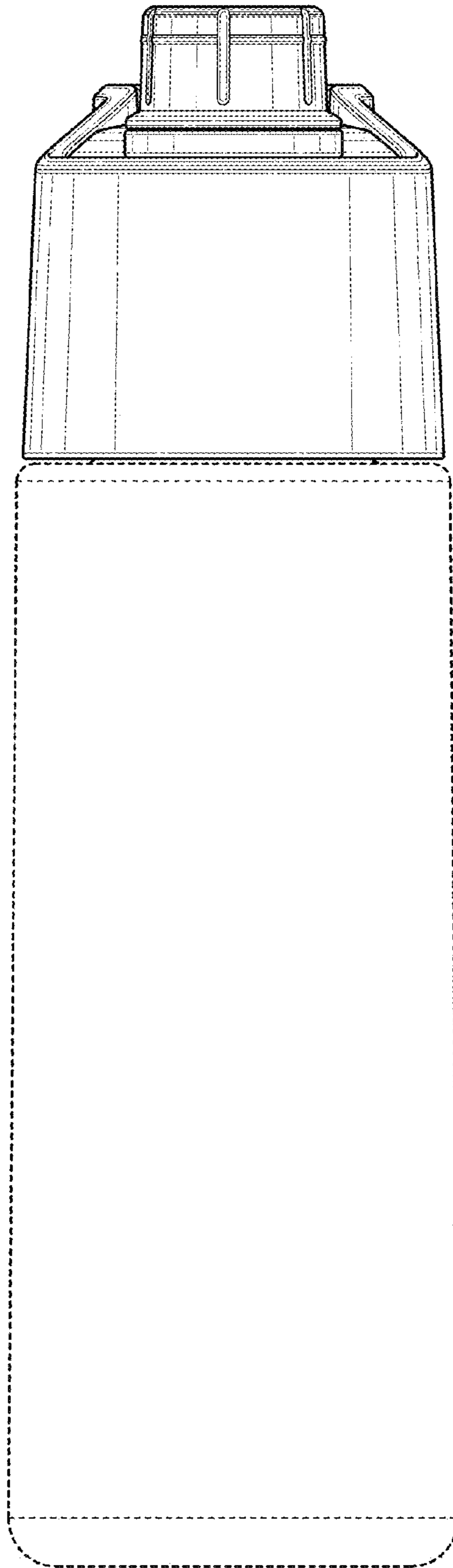


FIG. 6

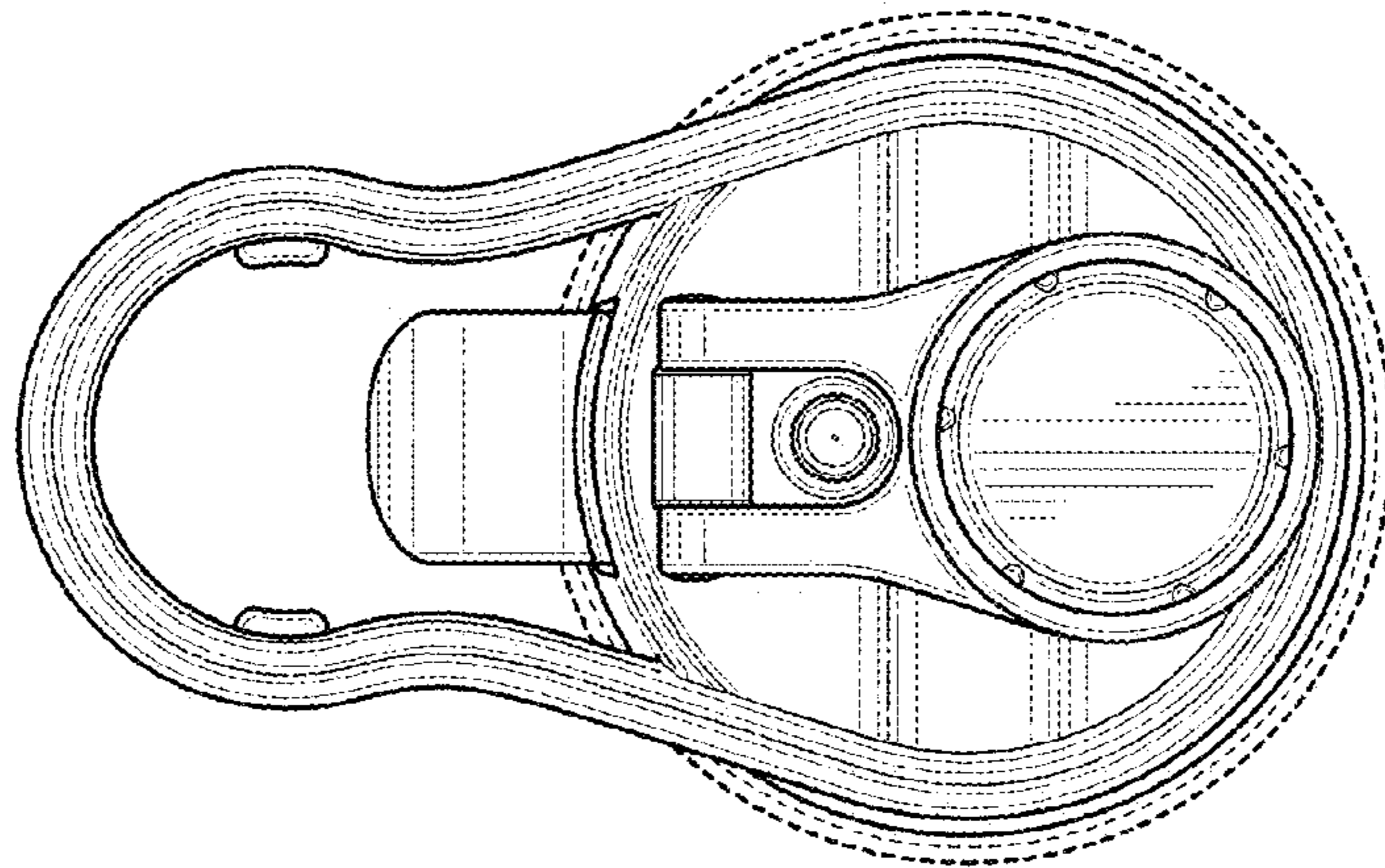


FIG. 7

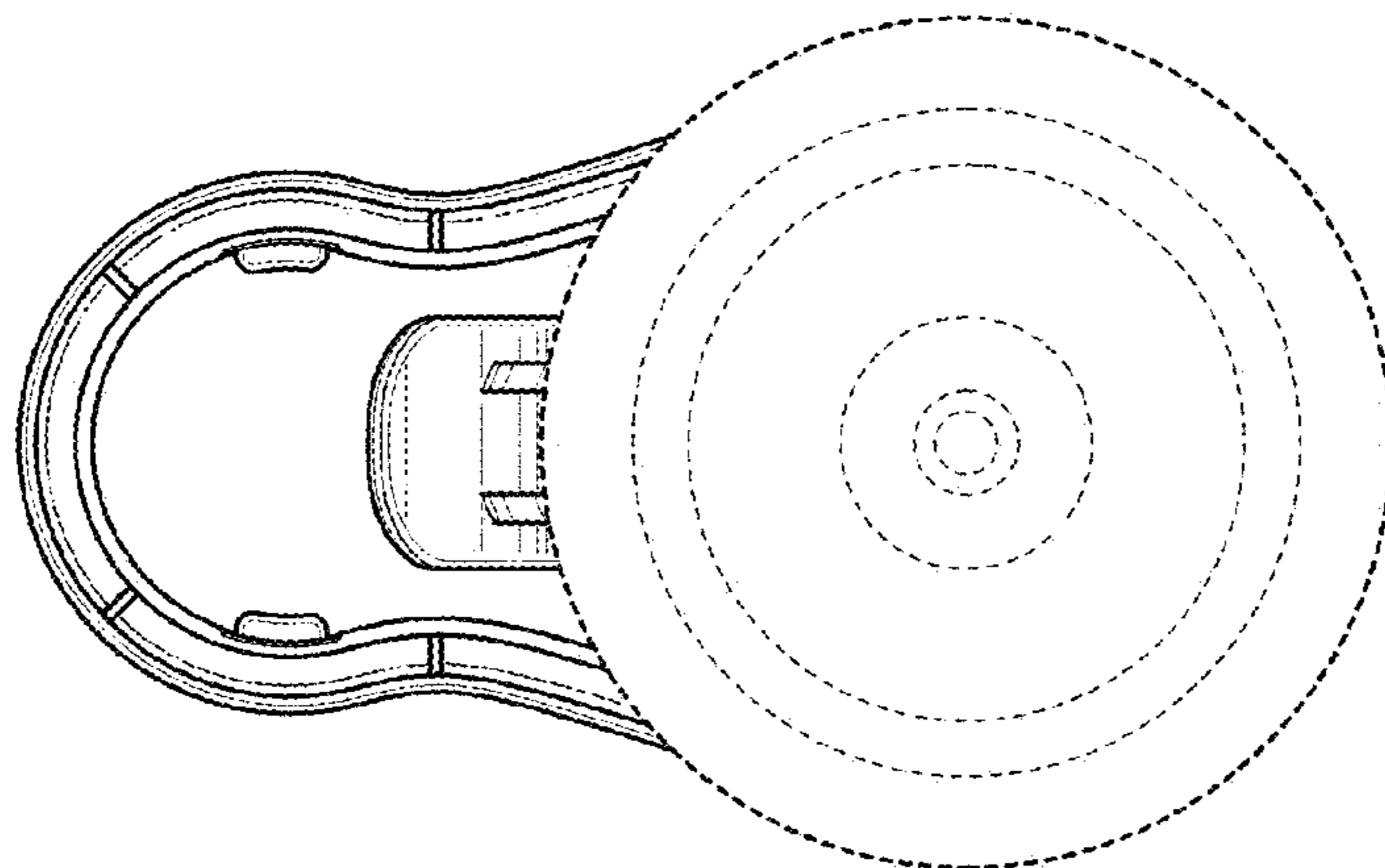


FIG. 8