

US00D763684S

(12) **United States Design Patent**
O'Neill

(10) **Patent No.:** **US D763,684 S**

(45) **Date of Patent:** **** Aug. 16, 2016**

(54) **PACKAGING**

- (71) Applicant: **SUGARFINA, LLC**, Inglewood, CA (US)
- (72) Inventor: **Rosie Colleen O'Neill**, Los Angeles, CA (US)
- (73) Assignee: **Sugarfina, LLC**, Inglewood, CA (US)
- (**) Term: **15 Years**
- (21) Appl. No.: **29/557,992**
- (22) Filed: **Mar. 14, 2016**

2,604,980 A	7/1952	Reid	
2,751,135 A	6/1956	Kessler	
2,790,589 A	4/1957	Arlington	
3,423,006 A	1/1969	Stedman	
3,660,934 A	5/1972	Pollack et al.	
D242,771 S	12/1976	Papillon	
D317,717 S *	6/1991	Carol	D9/418
D317,718 S *	6/1991	Carol	D9/418
D426,902 S *	6/2000	Hardy	D26/11
D603,720 S	11/2009	Cesare et al.	
D609,116 S *	2/2010	Kim	D9/721
7,757,843 B2	7/2010	Katsis	
D657,284 S *	4/2012	Young	D11/121
D691,900 S *	10/2013	Kraus	D9/721
D704,550 S *	5/2014	Mattila	D9/432
D706,627 S *	6/2014	Olsson	D9/432
D731,323 S *	6/2015	O'Neill	D9/721

* cited by examiner

Related U.S. Application Data

- (63) Continuation-in-part of application No. 29/499,564, filed on Aug. 15, 2014.
- (51) **LOC (10) Cl.** **09-03**
- (52) **U.S. Cl.**
USPC **D9/432**
- (58) **Field of Classification Search**
USPC D9/414-415, 417, 418, 420-427,
D9/430-434, 634, 721, 783-744, 751, 756,
D9/759, 760; D3/272, 273, 302, 304-309,
D3/315; D7/601, 602, 609, 619.1, 630
CPC B65D 5/00-5/02; B65D 5/0209-5/0272;
B65D 5/029; B65D 5/40; B65D 5/72; B65D
5/727
See application file for complete search history.

Primary Examiner — Vy Koenig

(74) *Attorney, Agent, or Firm* — Paul D. Chancellor; Ocean Law

(57) **CLAIM**

The ornamental design for a packaging, as shown and described.

DESCRIPTION

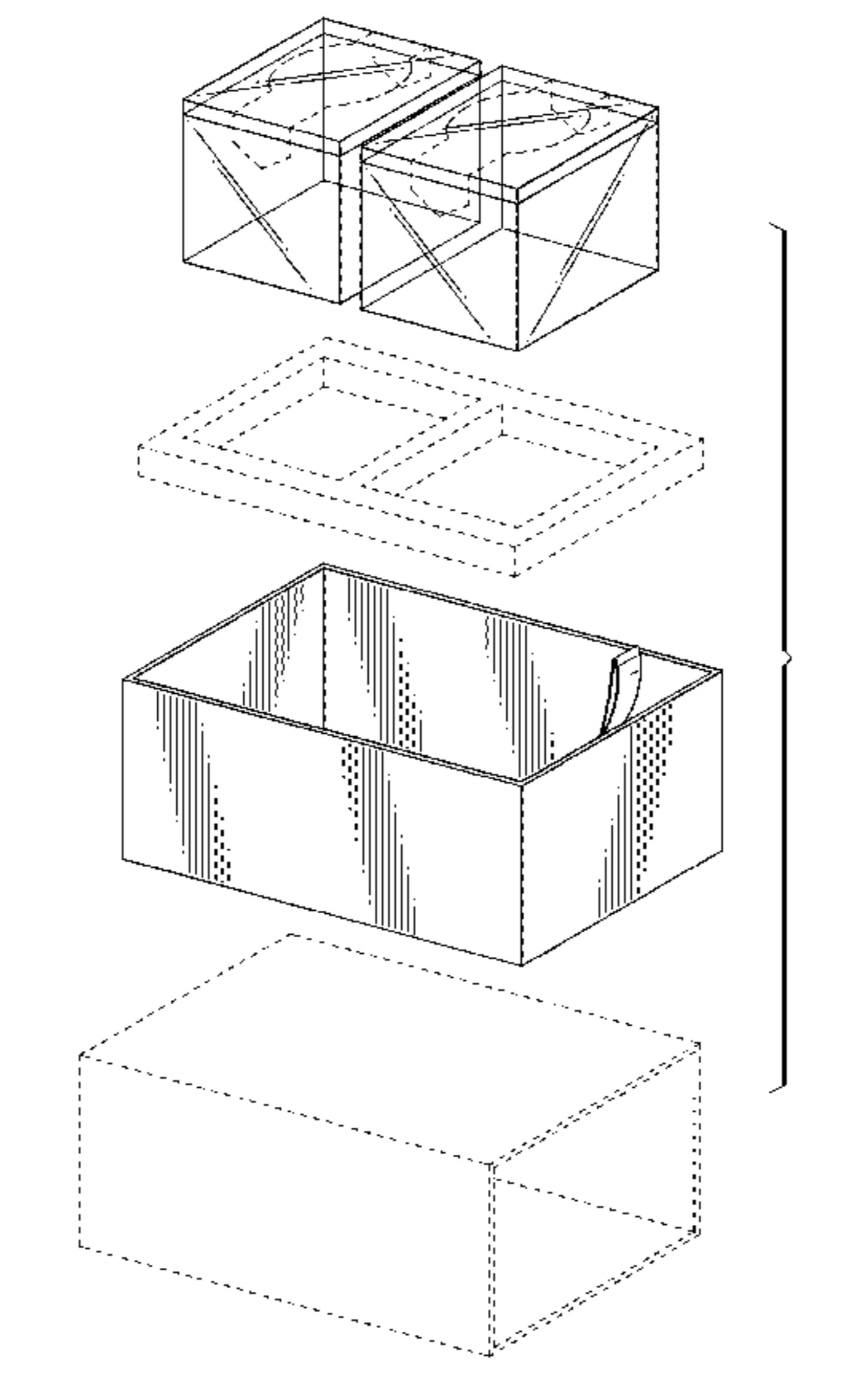
FIG. 1 is an exploded perspective view of a packaging showing my new design;
 FIG. 2 is a perspective view thereof in a partially assembled condition of use, shown without the unclaimed insert for clarity of illustration;
 FIG. 3 is a side view thereof;
 FIG. 4 is a top view thereof;
 FIG. 5 is front view thereof; and,
 FIG. 6 is a rear view thereof.
 The broken lines shown represent unclaimed subject matter and form no part of the claimed design. The shade lines shown represent surface shading and not surface ornamentation.

1 Claim, 3 Drawing Sheets

(56) **References Cited**

U.S. PATENT DOCUMENTS

1,162,840 A	12/1879	Wood
D36,435 S	7/1903	Daggett
1,588,857 A	6/1926	Sherman
1,620,789 A	3/1927	Urban
1,994,159 A	3/1935	Wurzburg
2,541,173 A	2/1951	Arlington



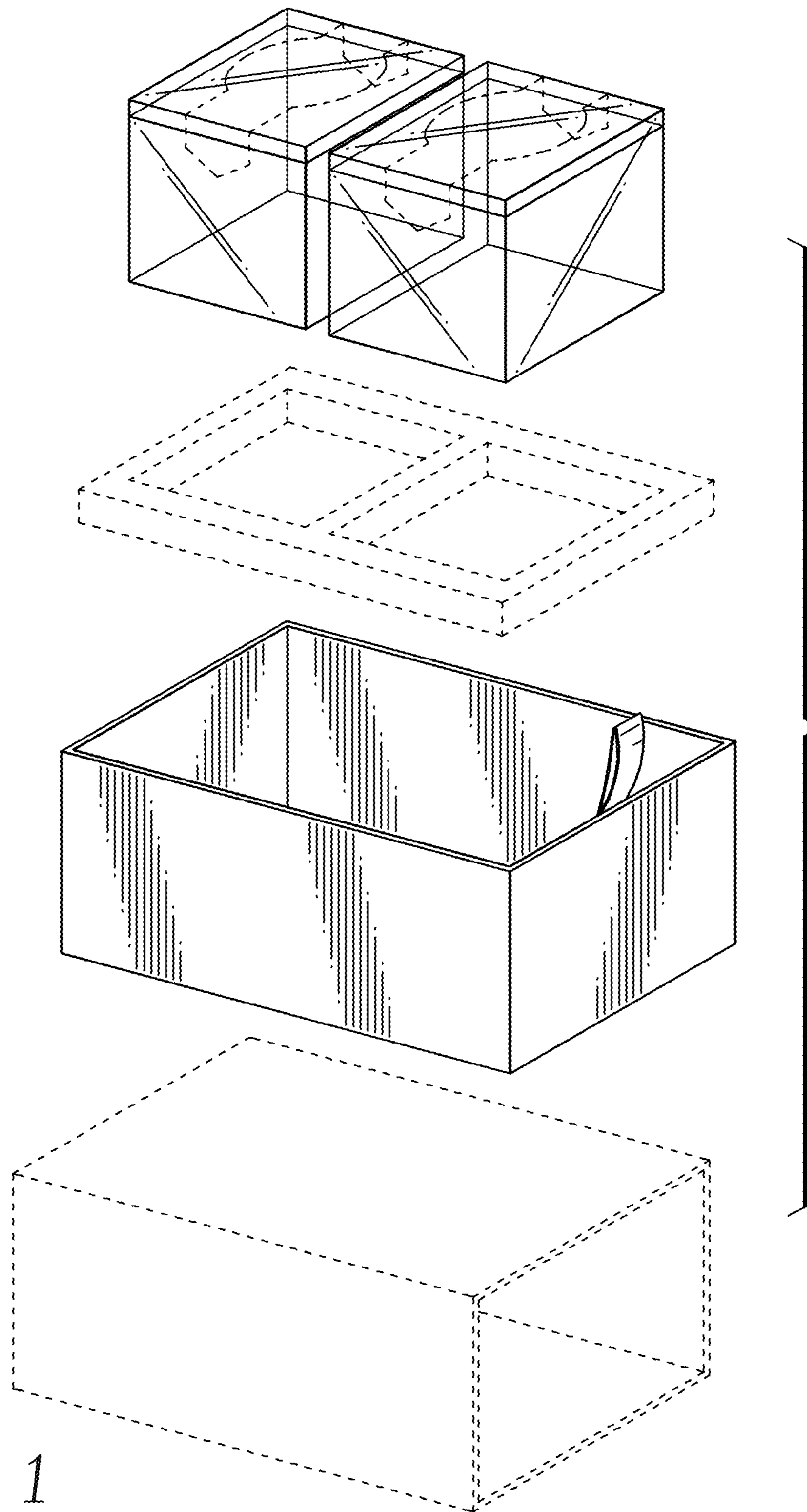


FIG. 1

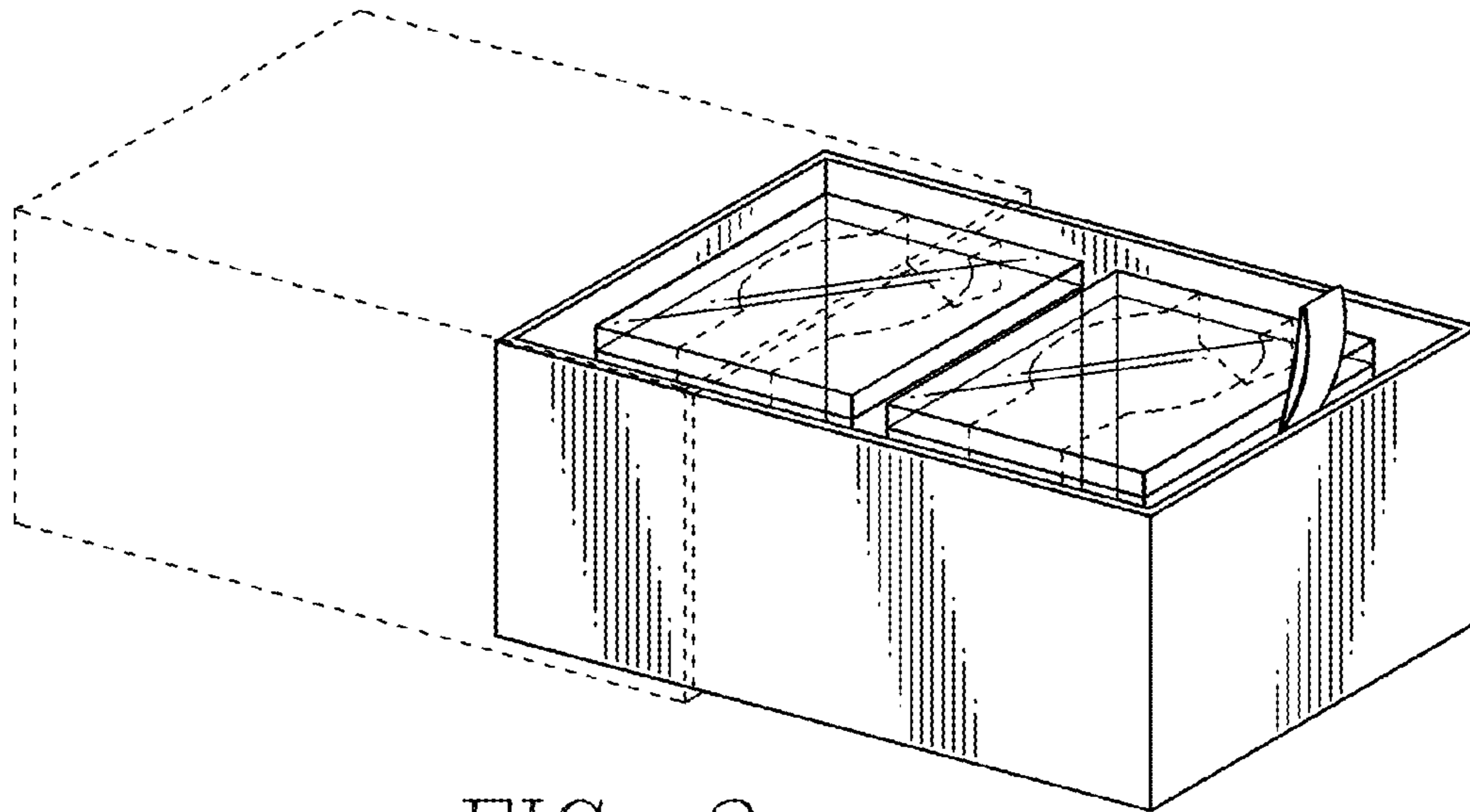


FIG. 2

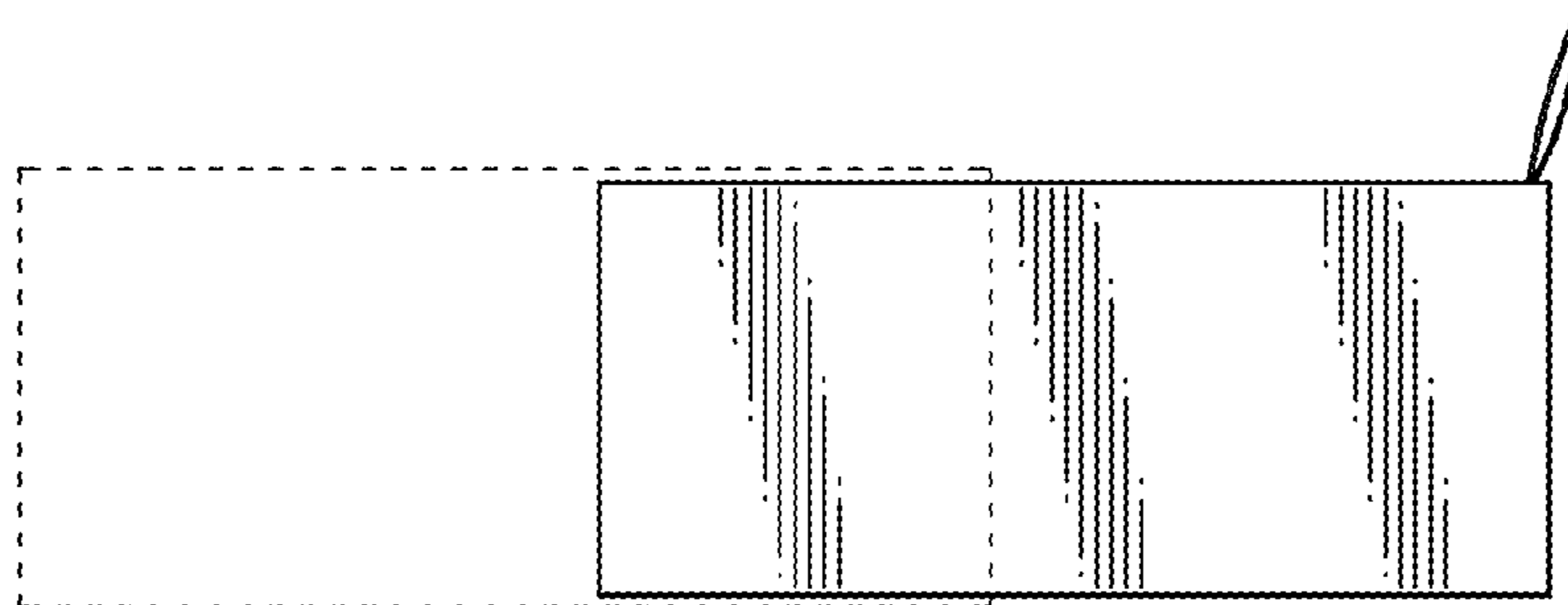


FIG. 3

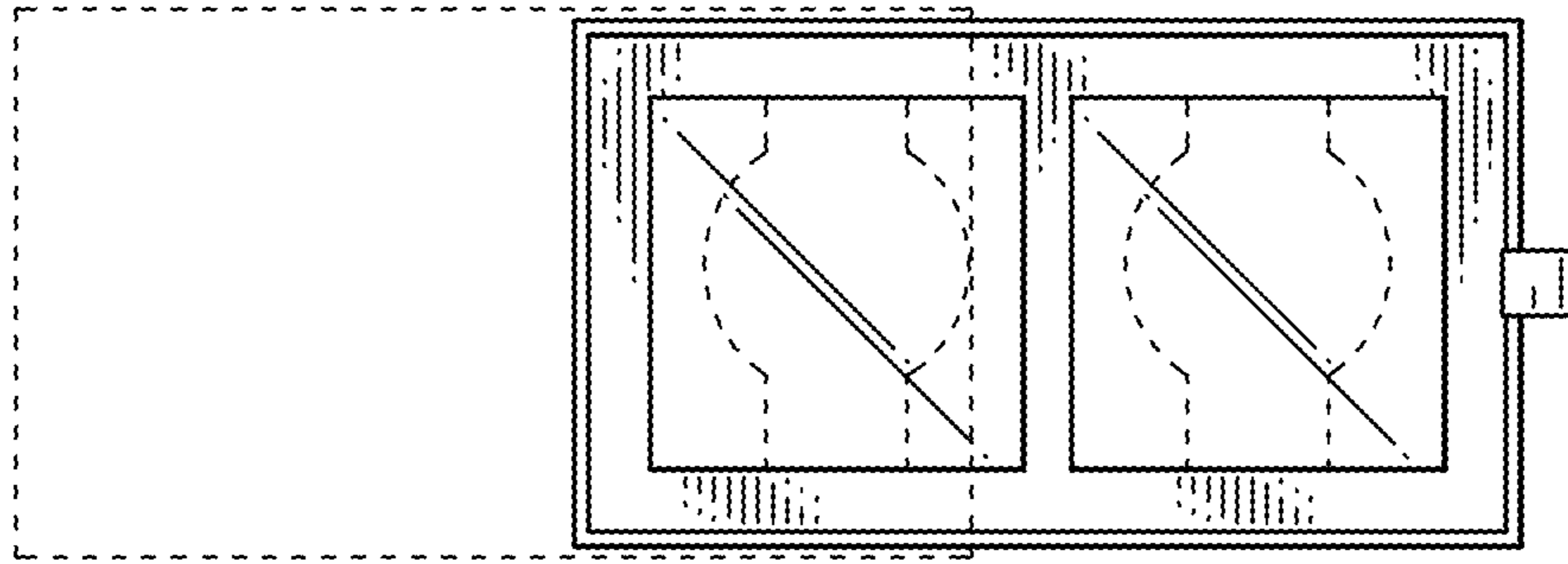


FIG. 4

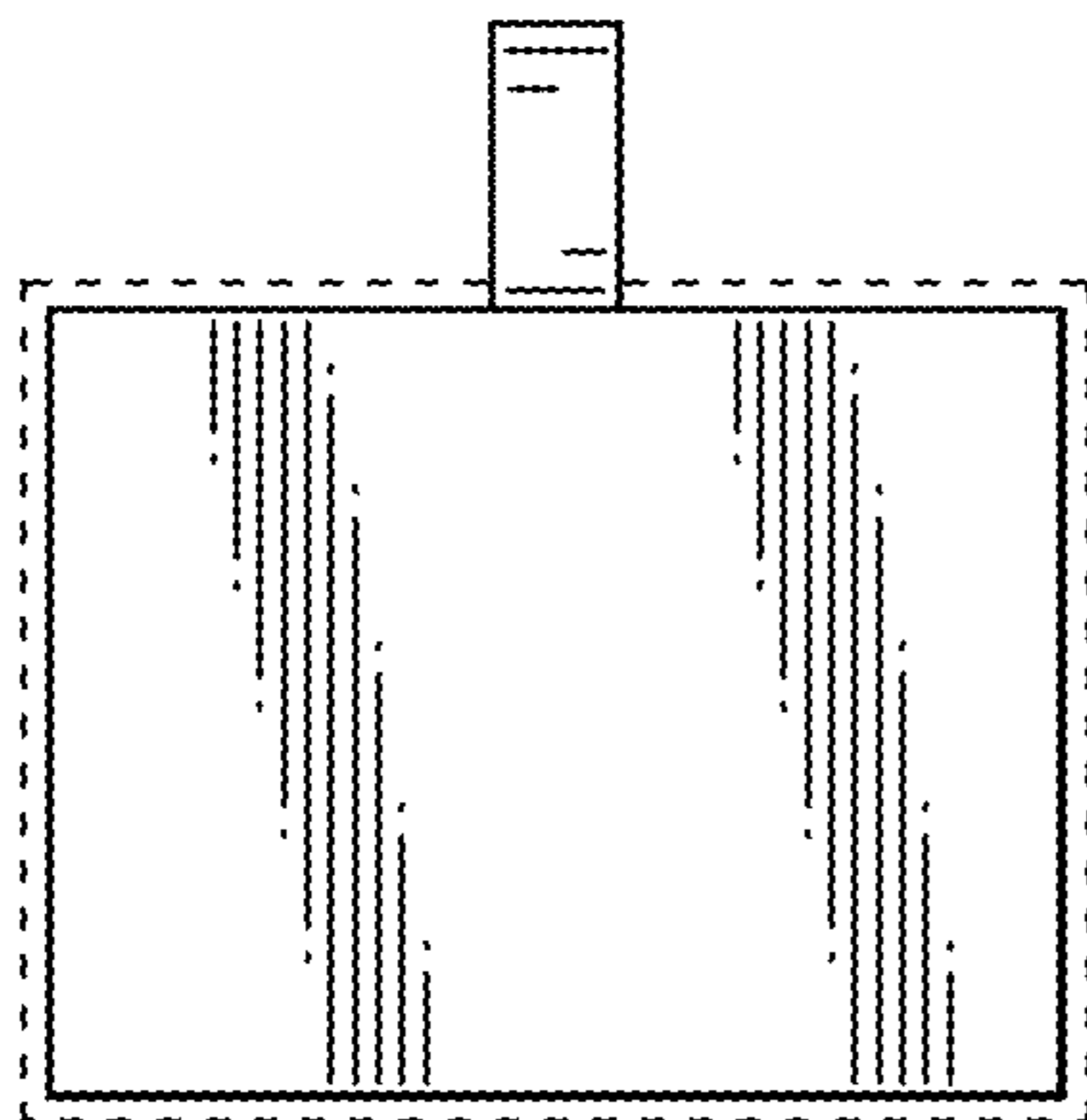


FIG. 5

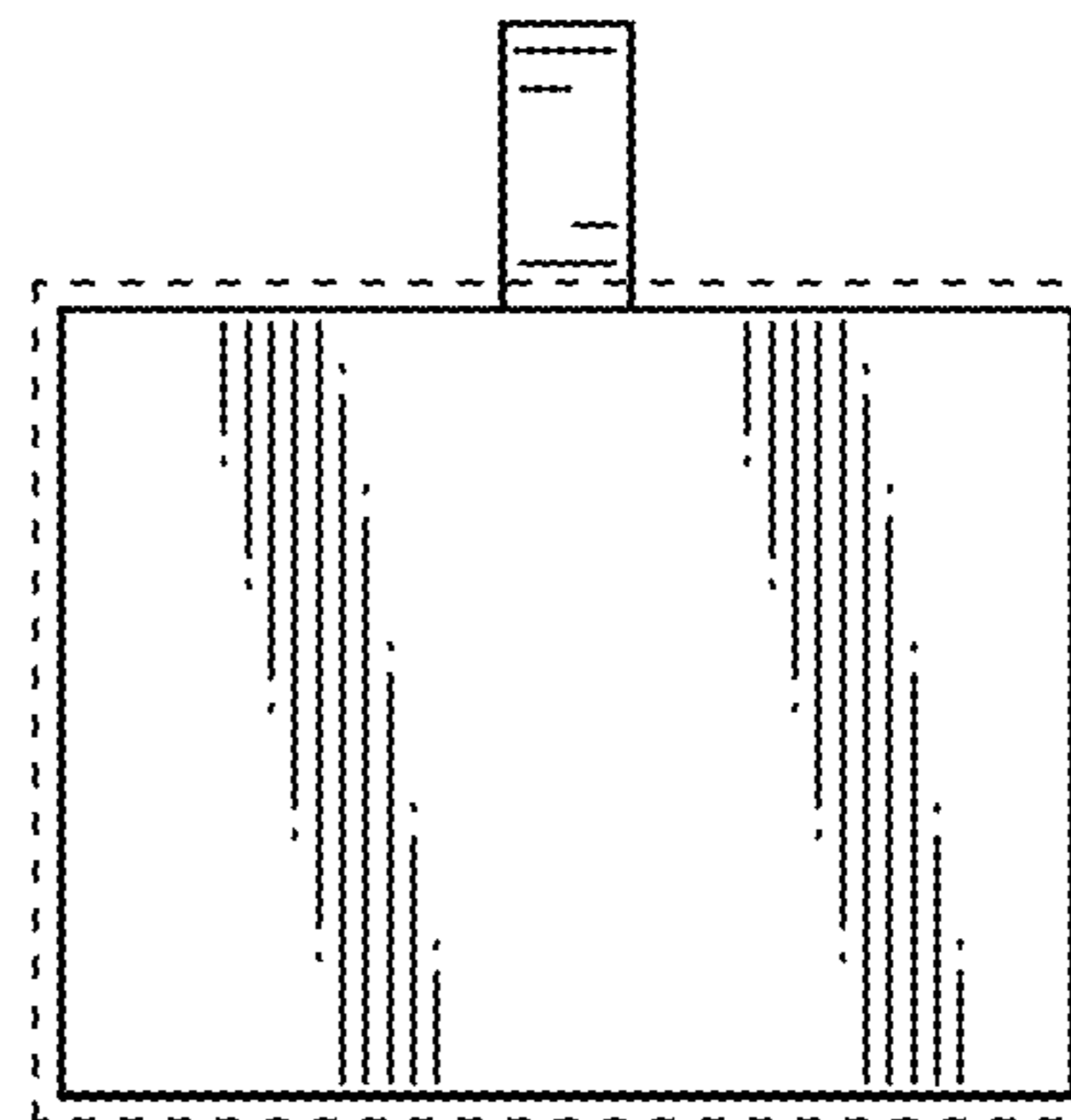


FIG. 6