



US00D763683S

(12) **United States Design Patent**
O'Neill

(10) **Patent No.:** **US D763,683 S**

(45) **Date of Patent:** **** Aug. 16, 2016**

(54) **PACKAGING**

- (71) Applicant: **SUGARFINA, LLC**, Inglewood, CA (US)
- (72) Inventor: **Rosie Colleen O'Neill**, Los Angeles, CA (US)
- (73) Assignee: **Sugarfina, LLC**, Inglewood, CA (US)
- (**) Term: **15 Years**
- (21) Appl. No.: **29/557,849**
- (22) Filed: **Mar. 12, 2016**

D292,876 S	11/1987	Grunhut	
D292,877 S	11/1987	Grunhut	
D317,717 S *	6/1991	Carol	D9/418
D317,718 S *	6/1991	Carol	D9/418
D333,615 S *	3/1993	Zutler	D3/294
D335,819 S	5/1993	Campbell	
6,533,166 B1	3/2003	Kaiss	
D511,681 S	11/2005	Cogley et al.	
D609,115 S *	2/2010	Kim	D9/721
D643,306 S	8/2011	Martinez et al.	
D657,284 S *	4/2012	Young	D11/121
D669,352 S	10/2012	Paslawski	
D673,864 S *	1/2013	Read	D9/414
D682,119 S	5/2013	Buford	
D687,321 S	8/2013	Pralus	
D691,900 S *	10/2013	Kraus	D9/721
D706,627 S *	6/2014	Olsson	D9/432
D728,358 S *	5/2015	Belamich	D9/420
D731,323 S *	6/2015	O'Neill	D9/721

Related U.S. Application Data

- (63) Continuation-in-part of application No. 29/499,564, filed on Aug. 15, 2014.
- (51) **LOC (10) Cl.** **09-03**
- (52) **U.S. Cl.**
USPC **D9/432**
- (58) **Field of Classification Search**
USPC D9/414-415, 417, 418, 420-427,
D9/430-434, 634, 721, 783-744, 751, 756,
D9/759, 760; D3/272, 273, 302, 304-309,
D3/315; D7/601, 602, 609, 619.1, 630
CPC B65D 5/00-5/02; B65D 5/0209-5/0272;
B65D 5/029; B65D 5/40; B65D 5/72; B65D
5/727
See application file for complete search history.

* cited by examiner

Primary Examiner — Vy Koenig

(74) *Attorney, Agent, or Firm* — Paul D. Chancellor; Ocean Law

(57) **CLAIM**

The ornamental design for a packaging, as shown and described.

DESCRIPTION

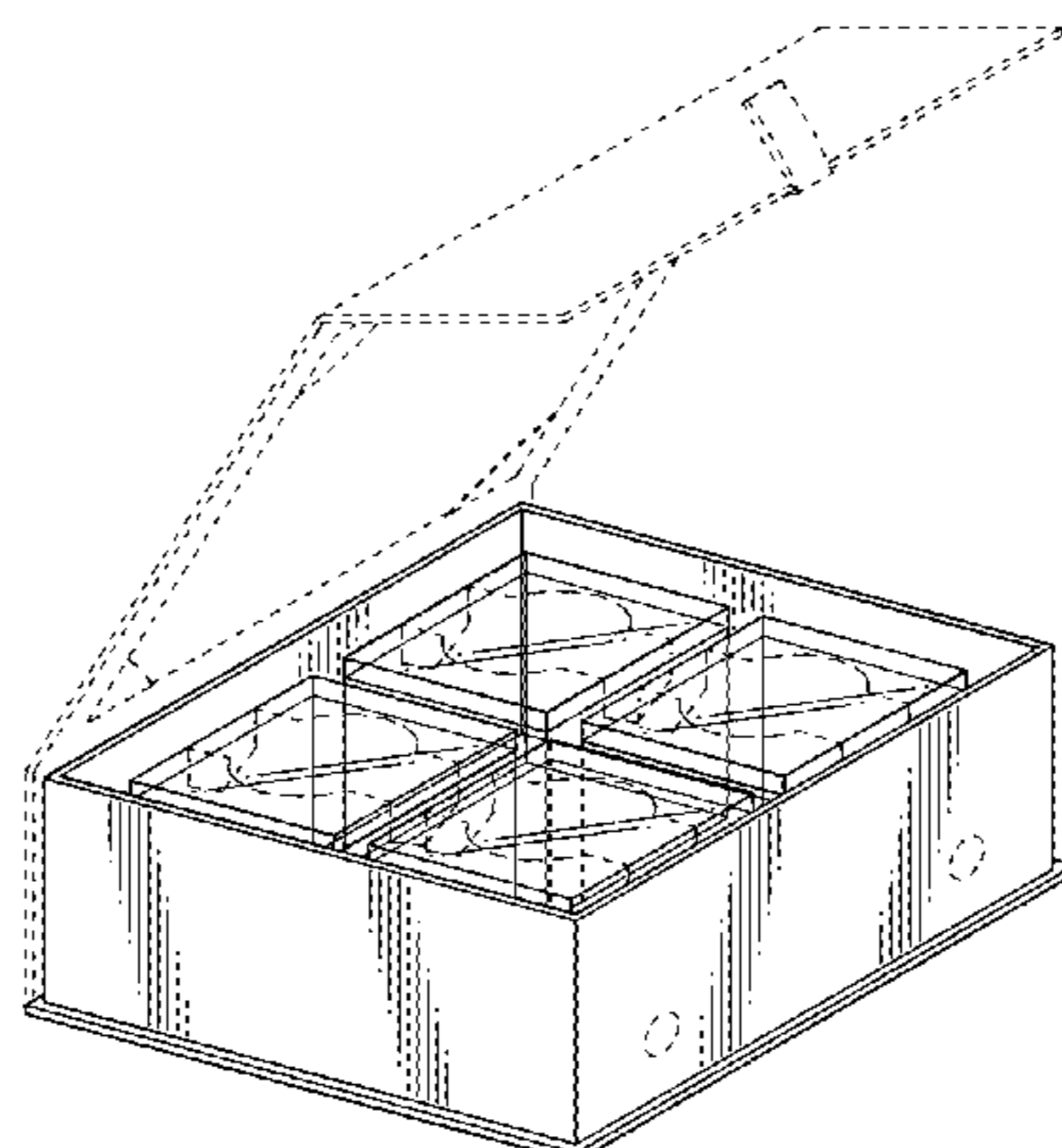
FIG. 1 is an exploded perspective view of a packaging showing my new design;
 FIG. 2 is a perspective view thereof in a partially assembled condition of use, shown without the unclaimed insert for clarity of illustration;
 FIG. 3 is a front view thereof;
 FIG. 4 is a rear view thereof;
 FIG. 5 is top view thereof; and,
 FIG. 6 is a side view thereof.
 The broken lines shown represent unclaimed subject matter and form no part of the claimed design. The shade lines shown represent surface shading and not surface ornamentation.

1 Claim, 4 Drawing Sheets

(56) **References Cited**

U.S. PATENT DOCUMENTS

D36,435 S	7/1903	Daggett	
1,620,789 A *	3/1927	Urban, Jr.	B65D 5/526 206/499
D95,429 S	4/1935	James et al.	
2,541,173 A *	2/1951	Moore	B65D 5/38 206/499
3,126,093 A	3/1964	Bradley et al.	
3,660,934 A *	5/1972	Pollack	A01G 9/104 206/423



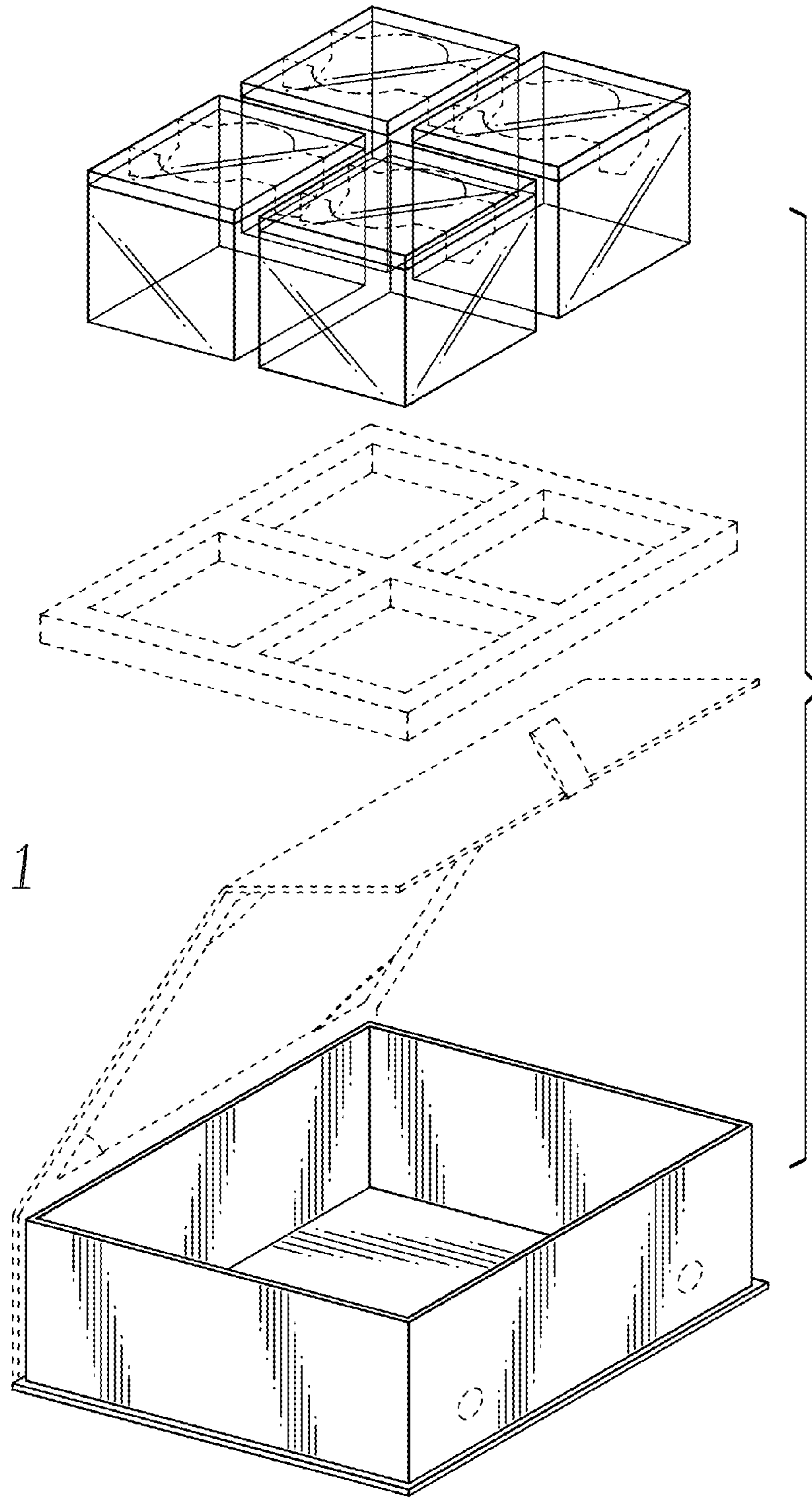


FIG. 1

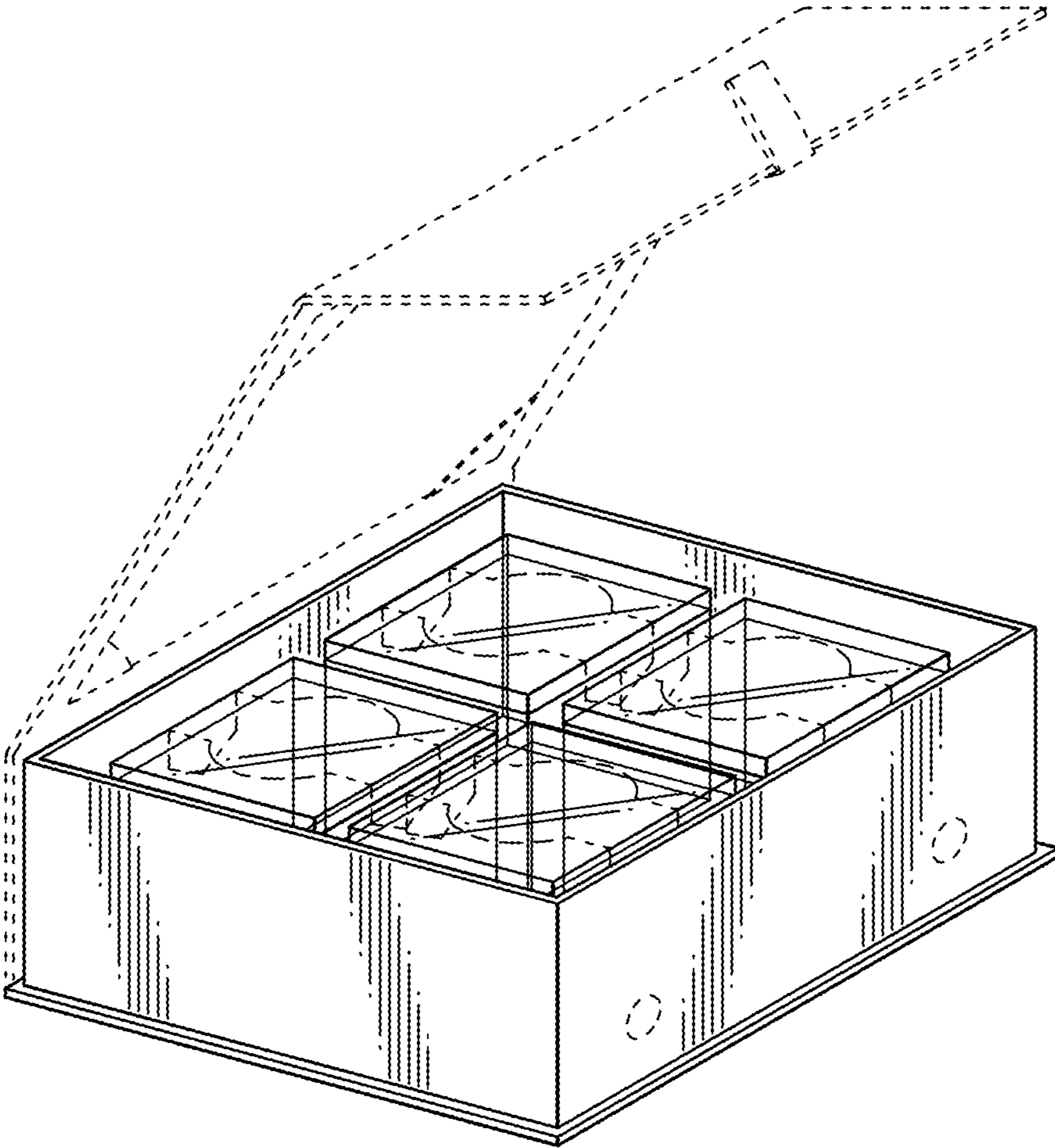


FIG. 2

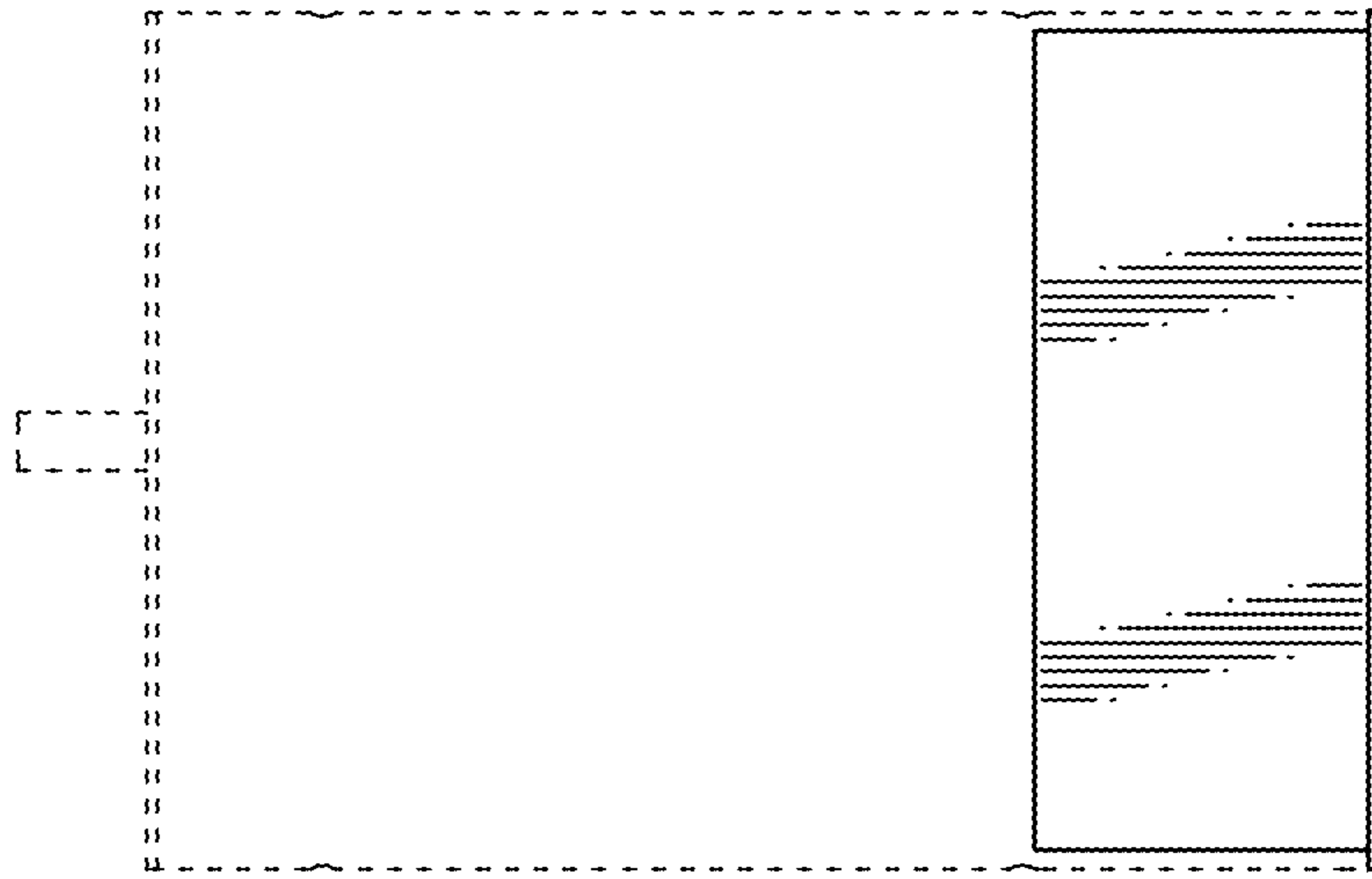


FIG. 4

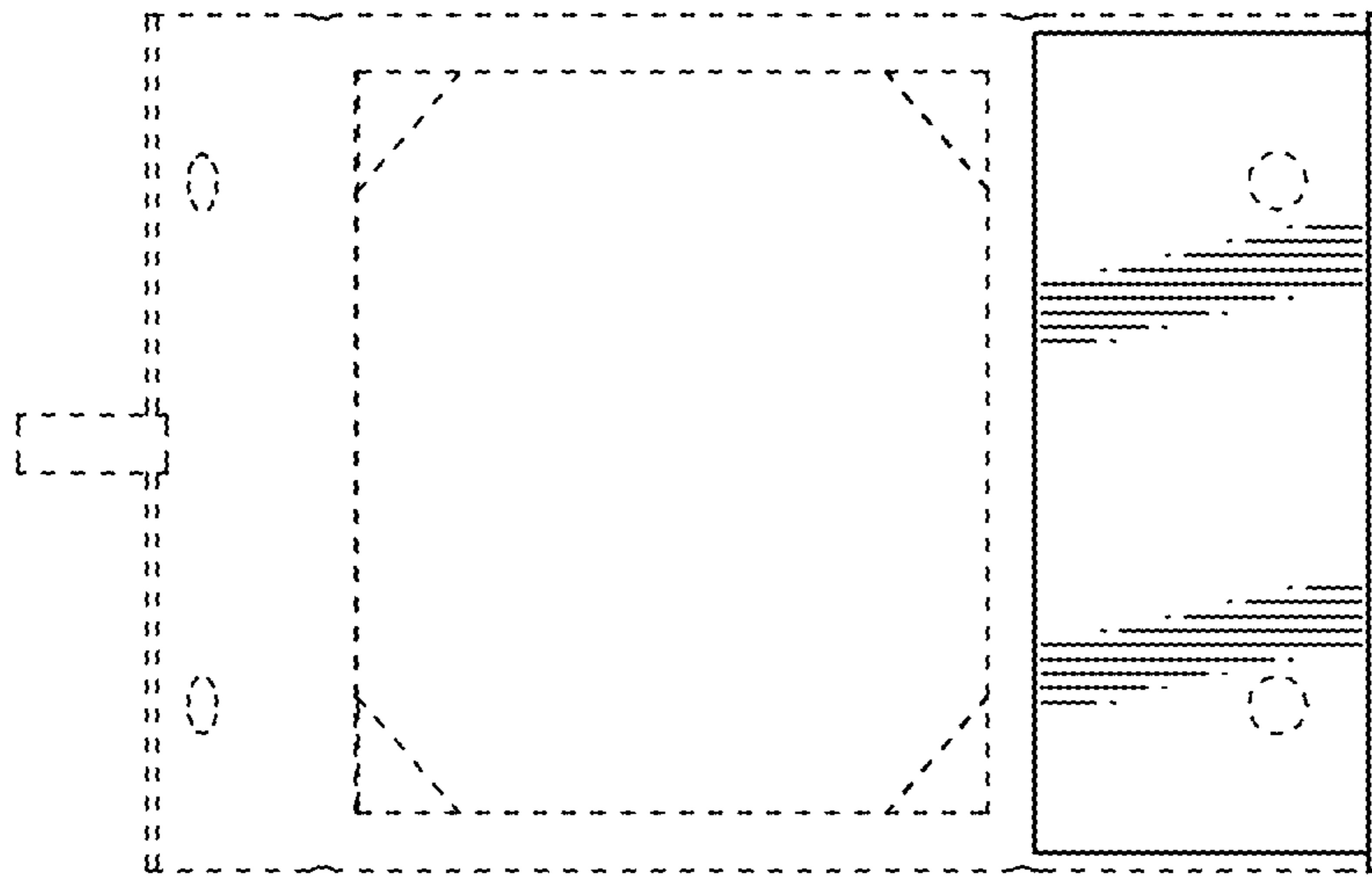


FIG. 3

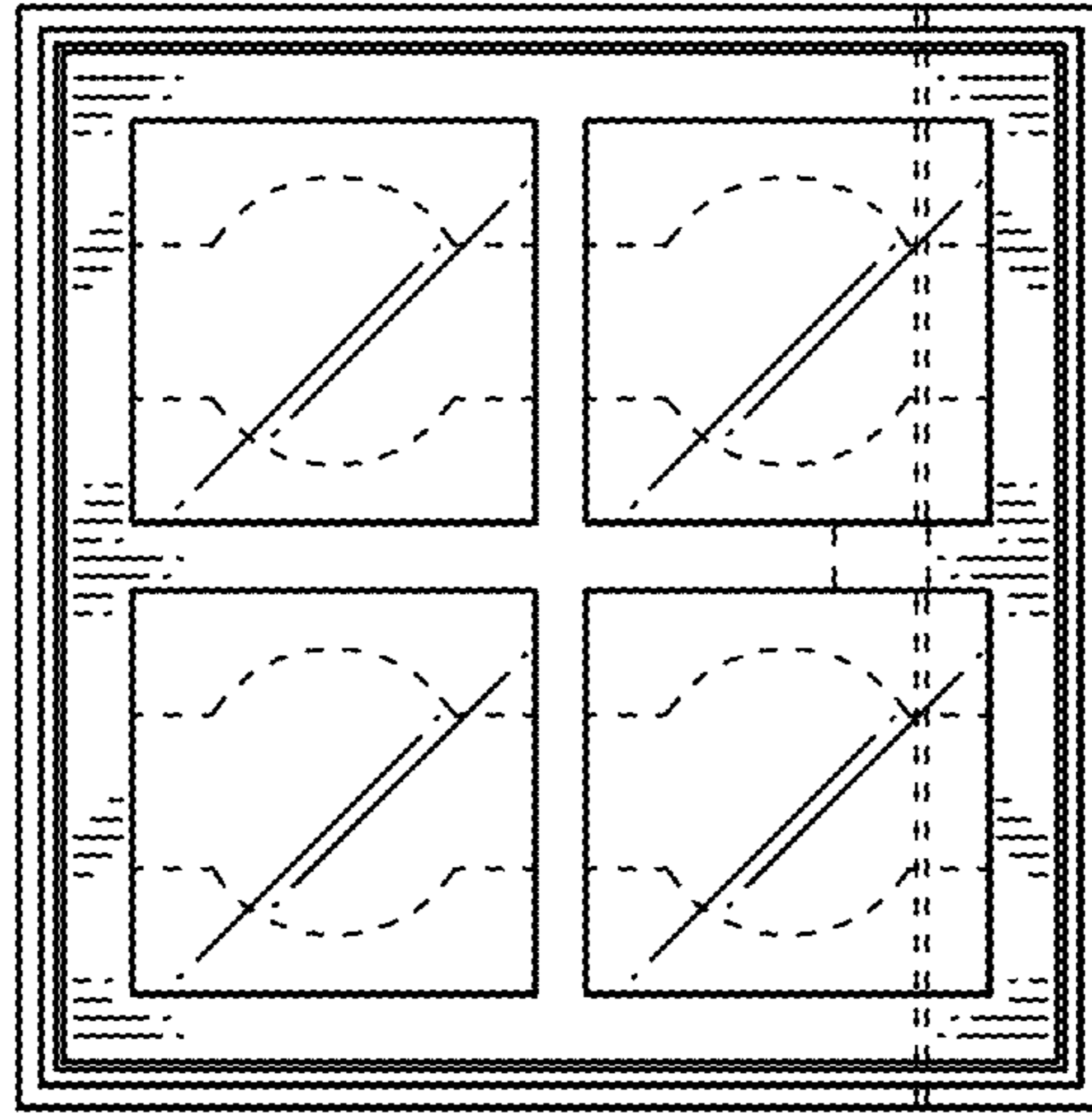


FIG. 5

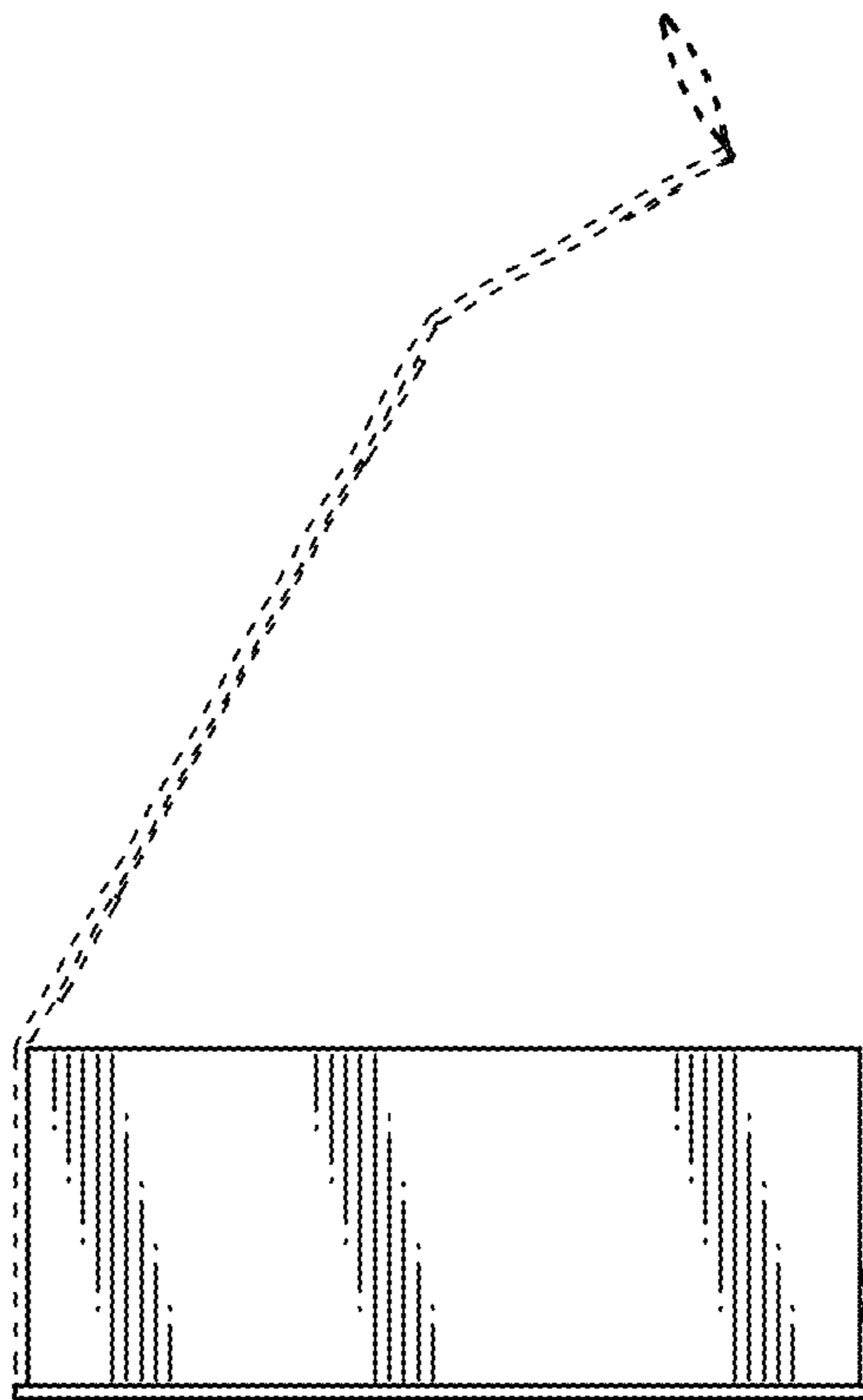


FIG. 6