

US00D763675S

(12) **United States Design Patent**  
**McDonald et al.**

(10) **Patent No.:** **US D763,675 S**  
(45) **Date of Patent:** **\*\* Aug. 16, 2016**

- (54) **DISPLAY PACKAGE**
- (71) Applicant: **JL Darling, LLC**, Tacoma, WA (US)
- (72) Inventors: **Ryan Sean McDonald**, Tacoma, WA (US); **Julie Ann Bacon**, Tacoma, WA (US); **John Thomas Mattingly**, Tacoma, WA (US)
- (73) Assignee: **JL DARLING, LLC**, Tacoma, WA (US)
- (\*\*) Term: **15 Years**
- (21) Appl. No.: **29/531,517**
- (22) Filed: **Jun. 26, 2015**
- (51) **LOC (10) Cl.** ..... **09-03**
- (52) **U.S. Cl.**  
USPC ..... **D9/415**
- (58) **Field of Classification Search**  
USPC ..... D9/414-419, 499, 711, 703, 434, 457;  
D18/56; D19/90, 2; D20/40; D2/605,  
D2/606; D6/681, 315; D32/35; 206/288,  
206/461, 292, 806, 299, 296; D14/250  
CPC ..... B65D 73/0078; B65D 73/0092; B65D  
85/18; B65D 73/0064; A47G 25/743  
See application file for complete search history.

(56) **References Cited**

**U.S. PATENT DOCUMENTS**

- 2,855,649 A \* 10/1958 Kanter ..... A47G 25/743  
206/292
- 3,032,242 A \* 5/1962 Roberts ..... A47G 25/743  
206/806
- 3,329,386 A \* 7/1967 Rosen ..... B65D 85/18  
206/299
- 3,997,091 A \* 12/1976 Burnette ..... B65D 73/0064  
206/296
- 4,257,522 A \* 3/1981 Thorneburg ..... B65D 85/18  
206/299
- D305,302 S \* 1/1990 Beatrice ..... D9/415
- D350,479 S \* 9/1994 Livezey ..... D9/415
- D350,893 S \* 9/1994 Sinanis ..... D14/250
- D354,679 S \* 1/1995 Dunn ..... D9/415

- 5,469,959 A \* 11/1995 Gummer ..... B65D 73/0078  
206/299
- D391,157 S \* 2/1998 Snitzer ..... D6/315
- D493,715 S \* 8/2004 Izen ..... D9/415
- D517,917 S \* 3/2006 Sethi ..... D9/457
- 7,540,377 B1 \* 6/2009 Krisher ..... B65D 73/0078  
206/288
- D635,184 S \* 3/2011 Suito ..... D18/56
- 7,931,147 B2 \* 4/2011 Petrelli ..... B65D 73/0092  
206/461
- D637,649 S \* 5/2011 Beukema ..... D19/90
- D665,446 S \* 8/2012 Mayer ..... D19/2
- D672,242 S \* 12/2012 Lee ..... D9/457
- D683,408 S \* 5/2013 Buick ..... D20/40
- D694,123 S \* 11/2013 Bowman ..... D9/711
- D699,107 S \* 2/2014 Streich ..... D9/457
- D702,916 S \* 4/2014 Kim ..... D2/605
- D703,525 S \* 4/2014 Quinn ..... D9/415

(Continued)

*Primary Examiner* — Holly Baynham

*Assistant Examiner* — Rhea Shields

(74) *Attorney, Agent, or Firm* — Seed IP Law Group PLLC

(57) **CLAIM**

The ornamental design for a display package, substantially as shown and described.

**DESCRIPTION**

FIG. 1 is an isometric view of a display package, showing our new design.

FIG. 2 is a front elevational view thereof.

FIG. 3 is a rear elevational view thereof.

FIG. 4 is a left side elevational view thereof.

FIG. 5 is a right side elevational view thereof.

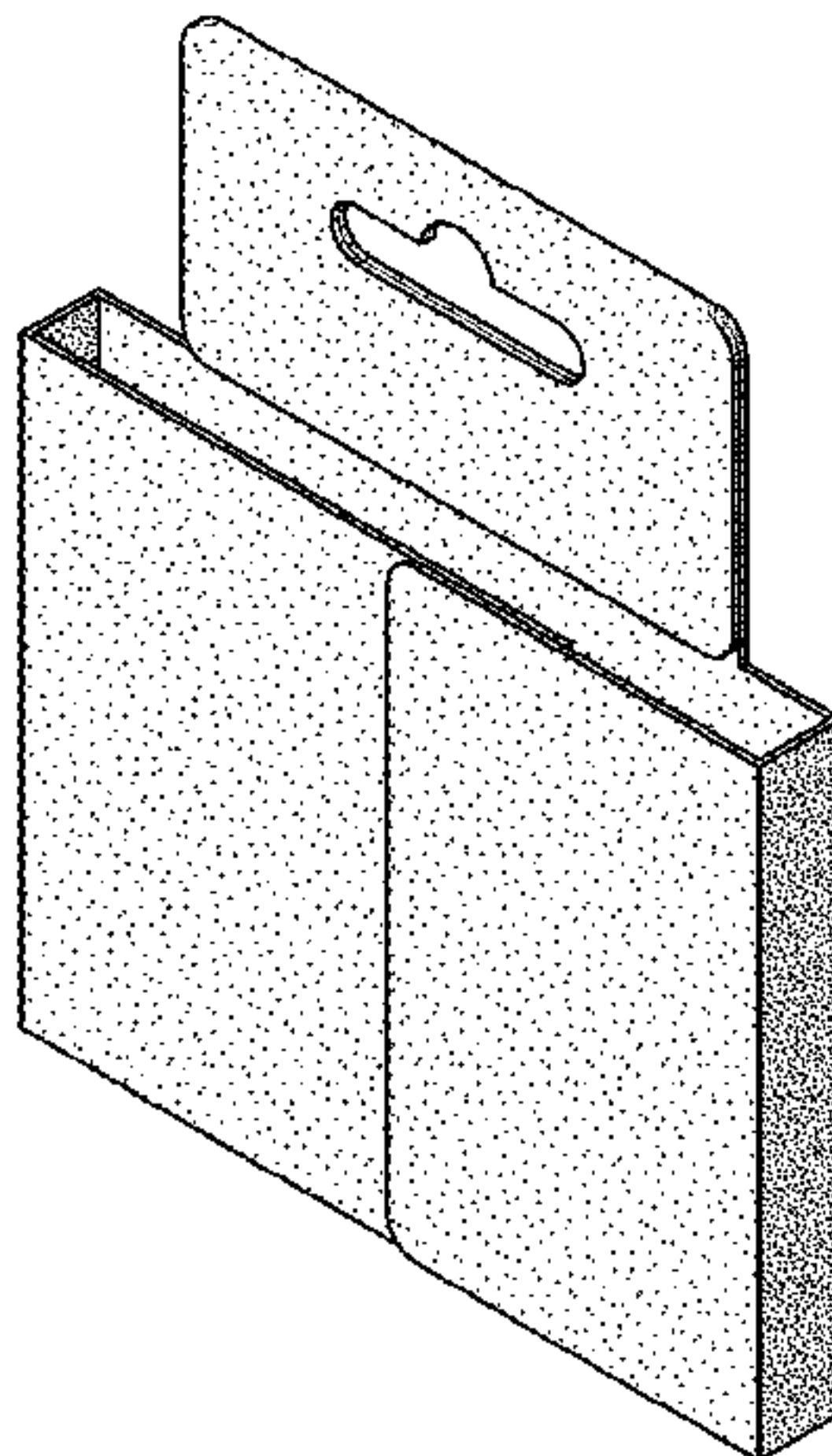
FIG. 6 is a top plan view thereof.

FIG. 7 is a bottom plan view thereof; and,

FIG. 8 is an isometric view thereof illustrating a notebook received in the display package for context.

In FIGS. 1 and 2 the broken lines are for the purpose of illustrating perforations that form a part of the claimed design. In FIG. 8 the broken lines are for the purpose of illustrating environment only and form no part of the claimed design.

**1 Claim, 4 Drawing Sheets**



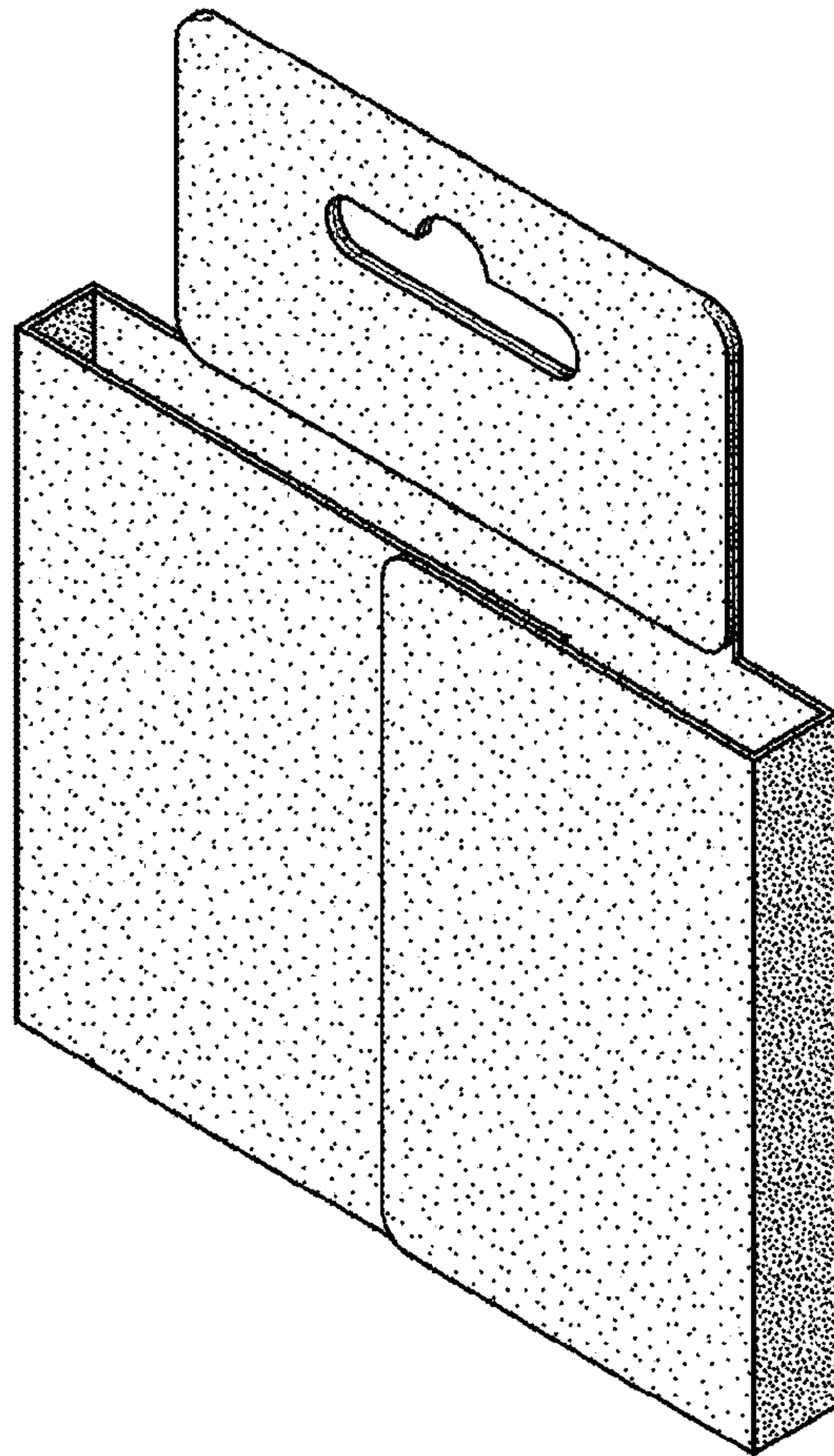
(56)

**References Cited**

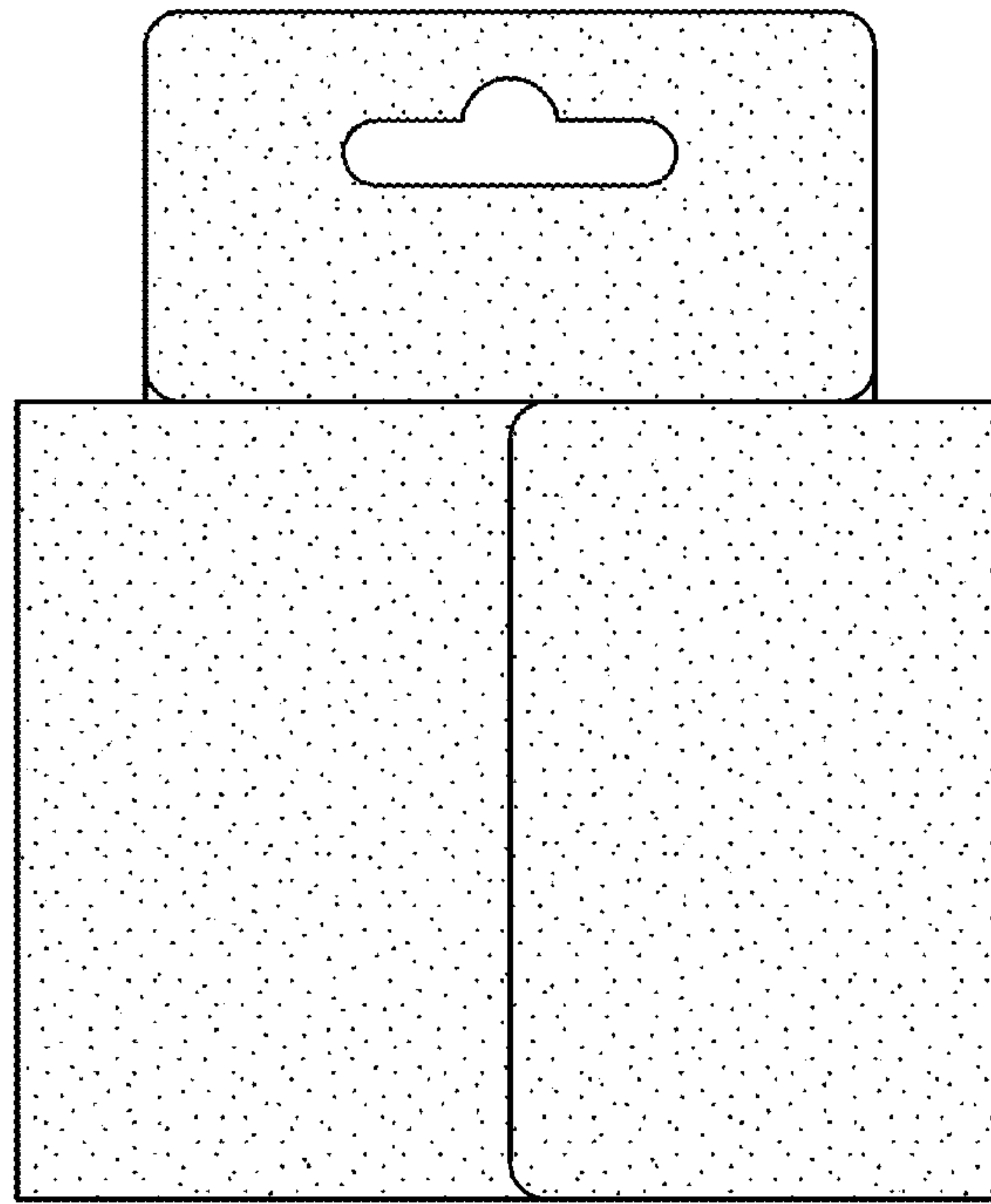
U.S. PATENT DOCUMENTS

D703,542 S \* 4/2014 Arcari ..... D9/415  
D706,520 S \* 6/2014 Kim ..... D2/606  
D712,250 S \* 9/2014 Cassens ..... D9/434  
D716,647 S \* 11/2014 Mizuno ..... D9/415

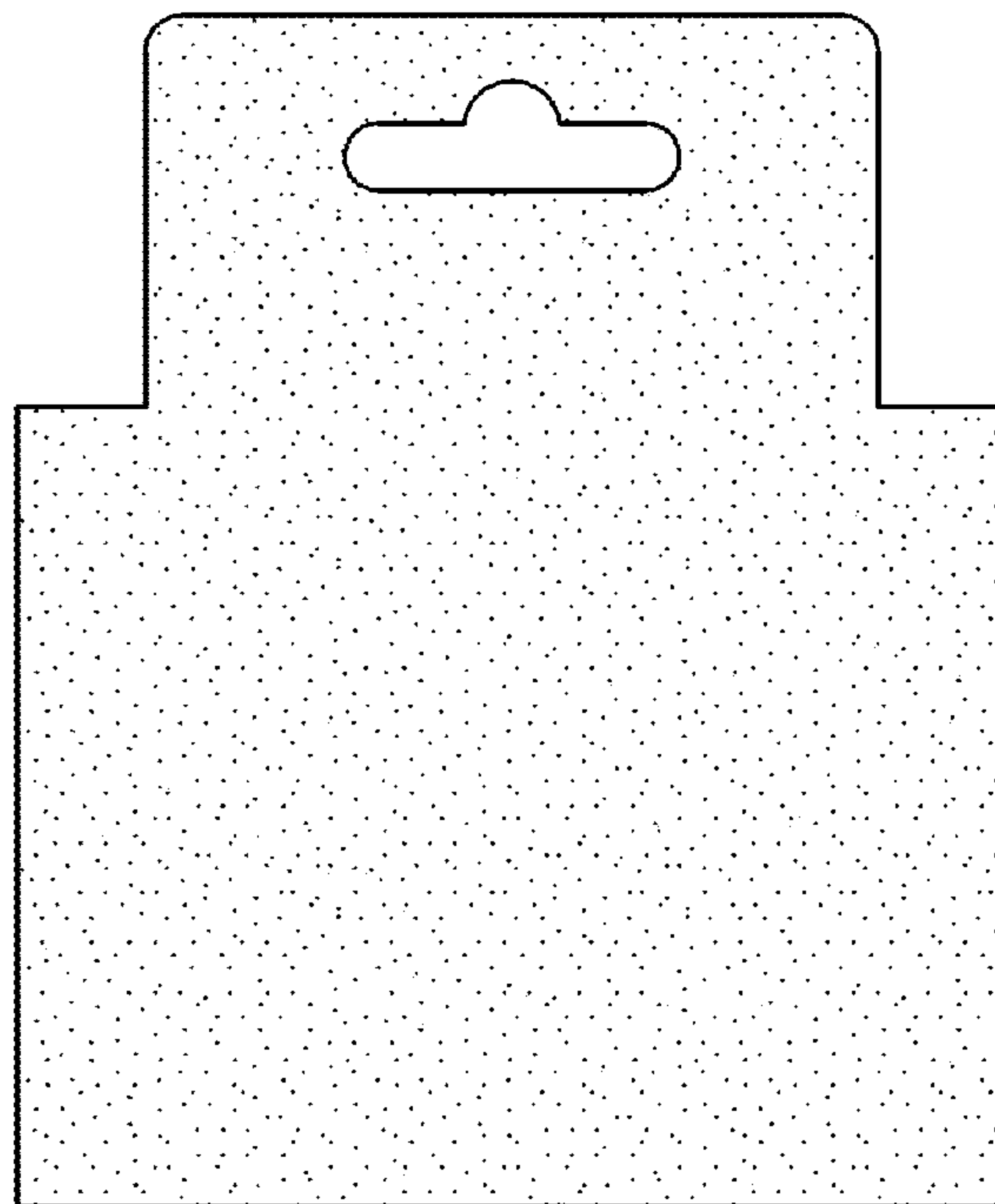
D718,628 S \* 12/2014 Lee ..... D9/434  
D728,380 S \* 5/2015 Newland ..... D9/711  
D728,879 S \* 5/2015 Baker ..... D32/35  
D730,091 S \* 5/2015 Chan ..... D6/681  
D736,098 S \* 8/2015 Burger ..... D9/703  
D743,810 S \* 11/2015 El-Afandi ..... D9/711  
D749,410 S \* 2/2016 Horan ..... D9/415  
\* cited by examiner



***FIG. 1***



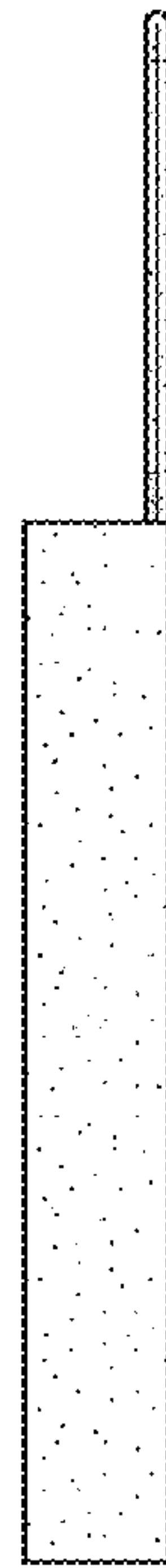
***FIG. 2***



***FIG. 3***



***FIG. 4***



***FIG. 5***

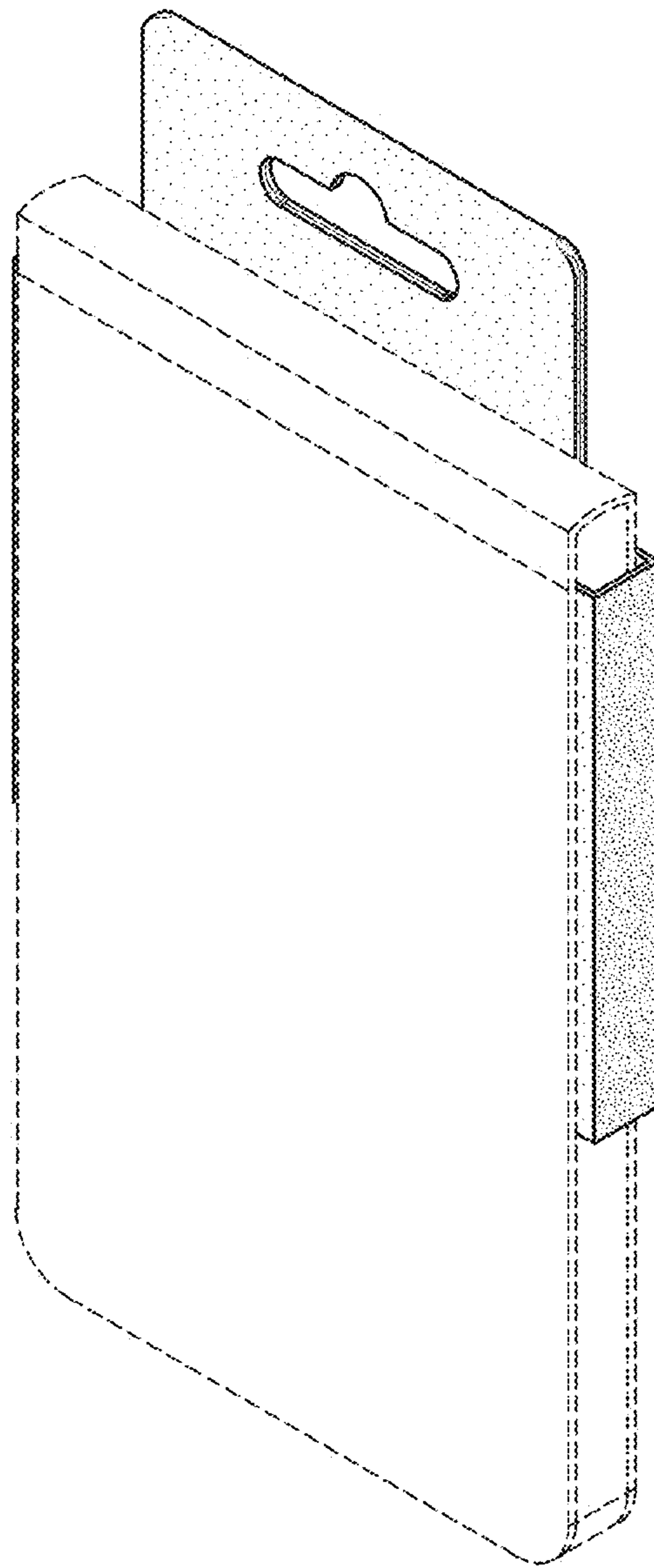


***FIG. 6***



***FIG. 7***





**FIG. 8**