



US00D763671S

(12) **United States Design Patent**  
**Sizelove**

(10) **Patent No.:** **US D763,671 S**

(45) **Date of Patent:** **\*\* Aug. 16, 2016**

(54) **STRAP CLAMP**  
(71) Applicant: **Aquatherm Industries, Inc.**, Lakewood,  
NJ (US)  
(72) Inventor: **J. David Sizelove**, Brick, NJ (US)  
(73) Assignee: **Aquatherm Industries, Inc.**, Lakewood,  
NJ (US)

7,461,610 B1 \* 12/2008 Czepizak ..... B63B 21/04  
114/218  
7,614,179 B2 \* 11/2009 Kavanaugh ..... A01K 91/03  
24/130  
D620,346 S \* 7/2010 Gretz ..... D8/396  
D632,030 S \* 2/2011 Lumsden ..... D30/138  
D667,796 S \* 9/2012 Boussekey ..... D13/156  
8,272,904 B2 \* 9/2012 Copper ..... H01R 4/5091  
439/781  
D708,052 S \* 7/2014 Symons ..... D8/394  
D741,162 S \* 10/2015 Leng ..... D8/396

(\*\*) Term: **14 Years**

**OTHER PUBLICATIONS**

(21) Appl. No.: **29/488,086**

“Clamp Strap” Engineering Drawing (Aquatherm Indus., Inc. 1976).

(22) Filed: **Apr. 15, 2014**

\* cited by examiner

(51) **LOC (10) Cl.** ..... **08-08**

*Primary Examiner* — John Windmuller

(52) **U.S. Cl.**  
USPC ..... **D8/394**

(74) *Attorney, Agent, or Firm* — James C. Lydon

(58) **Field of Classification Search**  
USPC ..... D8/396, 394, 356; D23/262; 24/274 R,  
24/279, 276; 285/252, 253, 410, 364, 407  
CPC ... A62C 13/78; A47K 10/14; A47G 25/0657;  
A47G 1/21; E05C 19/145; B63B 19/24;  
F16L 33/12; F16L 33/08; F16L 33/02  
See application file for complete search history.

(57) **CLAIM**  
The ornamental design for a strap clamp, as shown and described.

**DESCRIPTION**

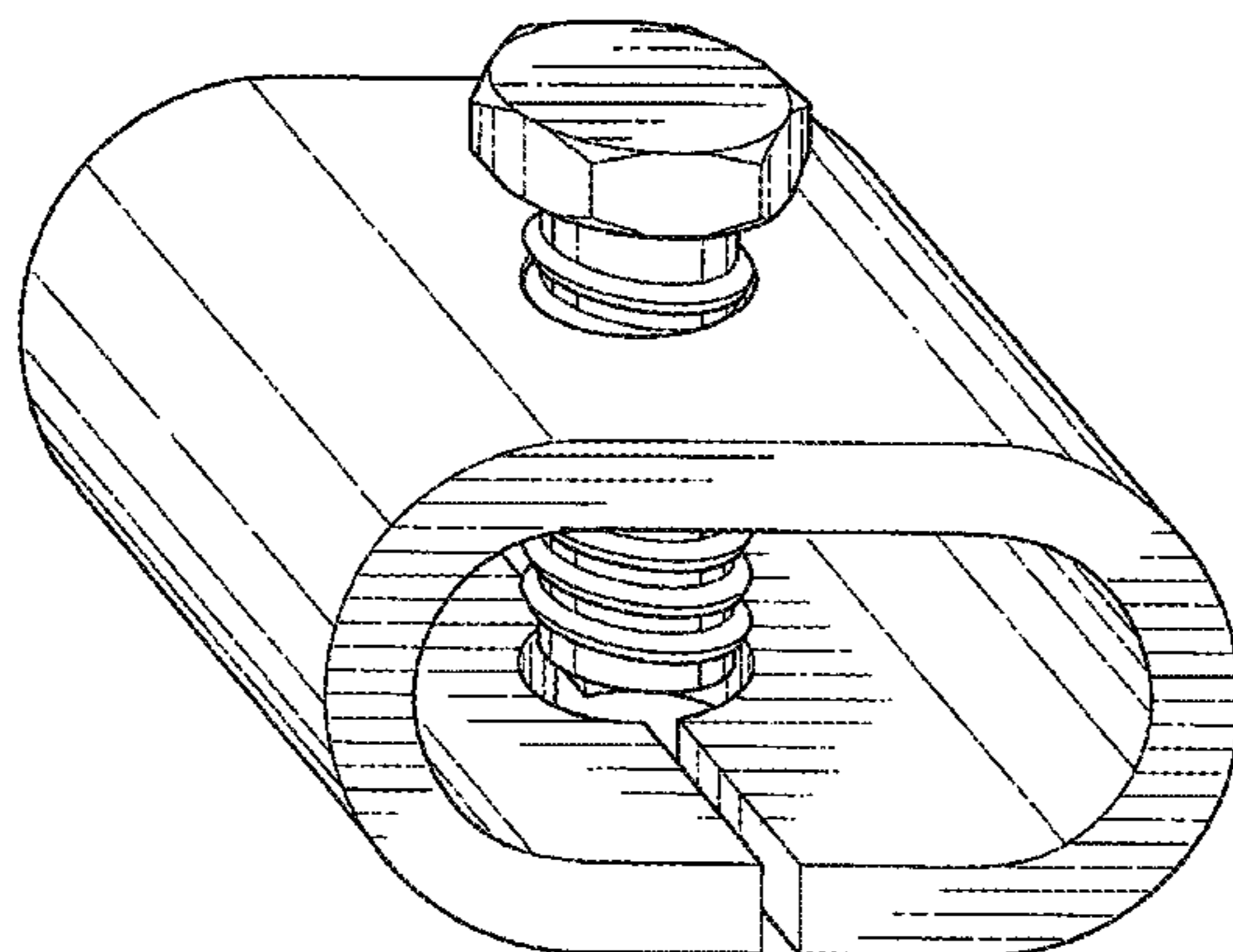
(56) **References Cited**

**U.S. PATENT DOCUMENTS**

1,420,790 A \* 6/1922 Varney ..... H01R 4/40  
403/391  
3,248,749 A \* 5/1966 Williams ..... A47H 15/04  
16/87.2  
3,282,318 A \* 11/1966 Nylund ..... F16G 13/14  
152/243  
5,941,483 A \* 8/1999 Baginski ..... F16L 3/22  
248/68.1  
D424,924 S \* 5/2000 Ackerman ..... D13/149  
6,174,177 B1 \* 1/2001 Auclair ..... H01R 4/44  
439/100  
D491,055 S \* 6/2004 Chou ..... D8/377  
7,191,988 B2 \* 3/2007 Kim ..... F16L 3/085  
248/229.2  
D569,349 S \* 5/2008 Preston ..... D13/156  
D577,990 S \* 10/2008 Andre ..... D14/205

FIG. 1 is a perspective view of the front of the strap clamp design.  
FIG. 2 is a top view thereof.  
FIG. 3 is a bottom view thereof.  
FIG. 4 is a front view thereof, with the bolt shown in a different position than as shown in FIG. 1; and,  
FIG. 5 is a side view thereof, with the bolt shown in a different position than as shown in FIG. 1 or FIG. 4.  
The article in which the design is embodied is a fastener for terminating a metallic strap which holds a solar panel to a building structure such as a roof. More particularly, the ornamental design is embodied in a hollow clamp device having open sides through which a metallic strap can pass, a screw with a hex head rotatably mounted on a top portion of the device, and a slotted bottom portion having a hole formed therein.

**1 Claim, 3 Drawing Sheets**



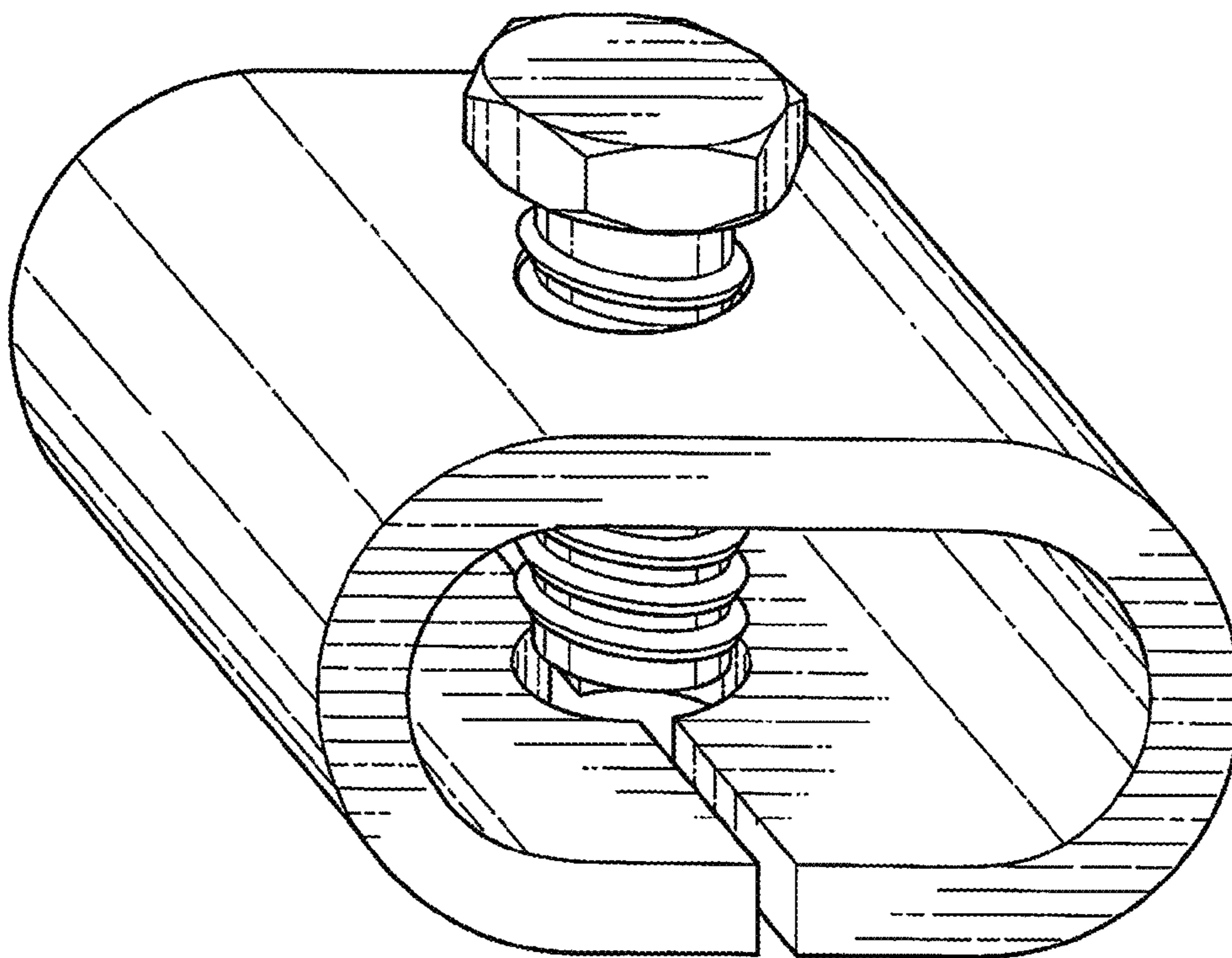


FIG. 1

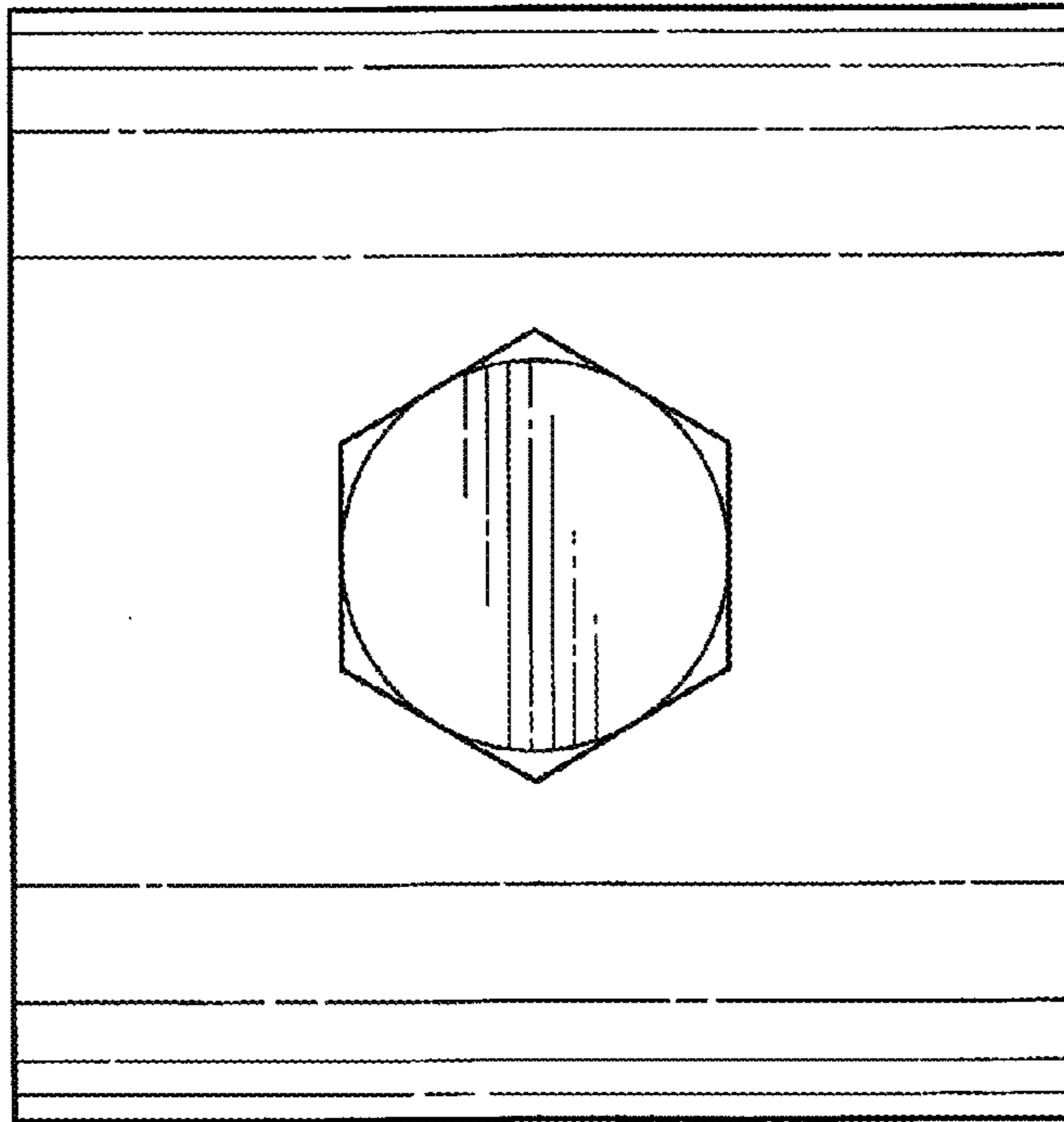


FIG. 2

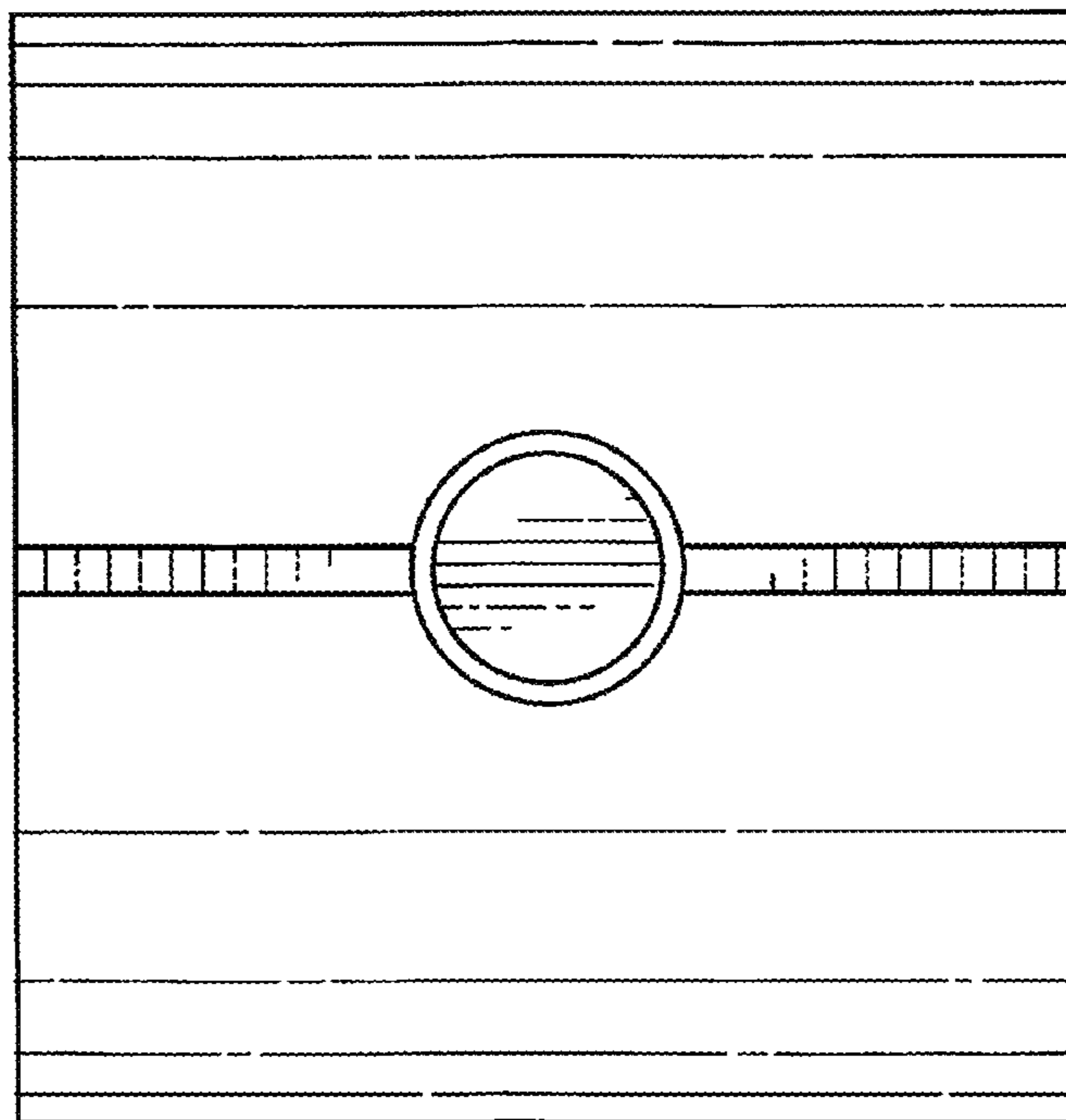
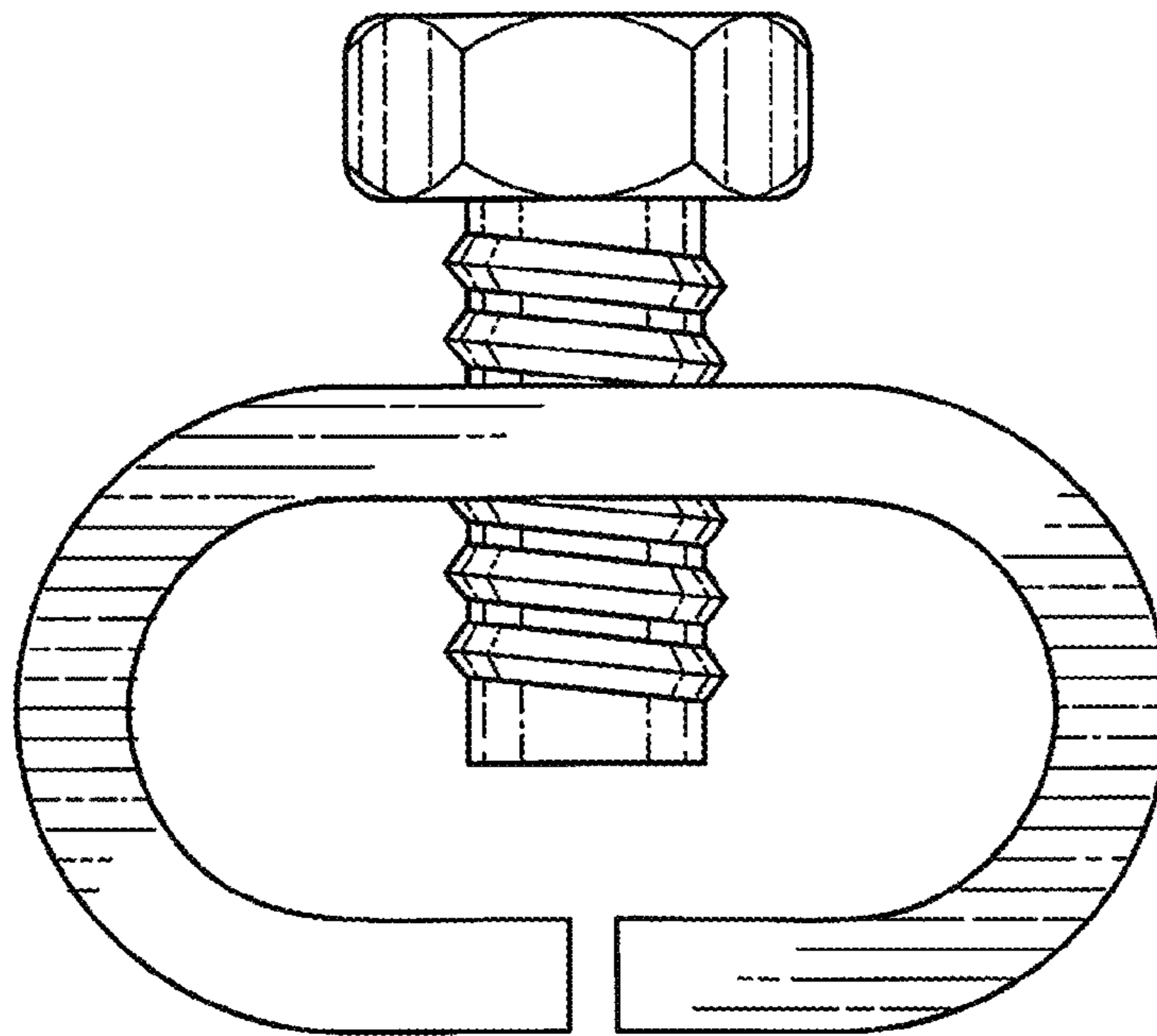
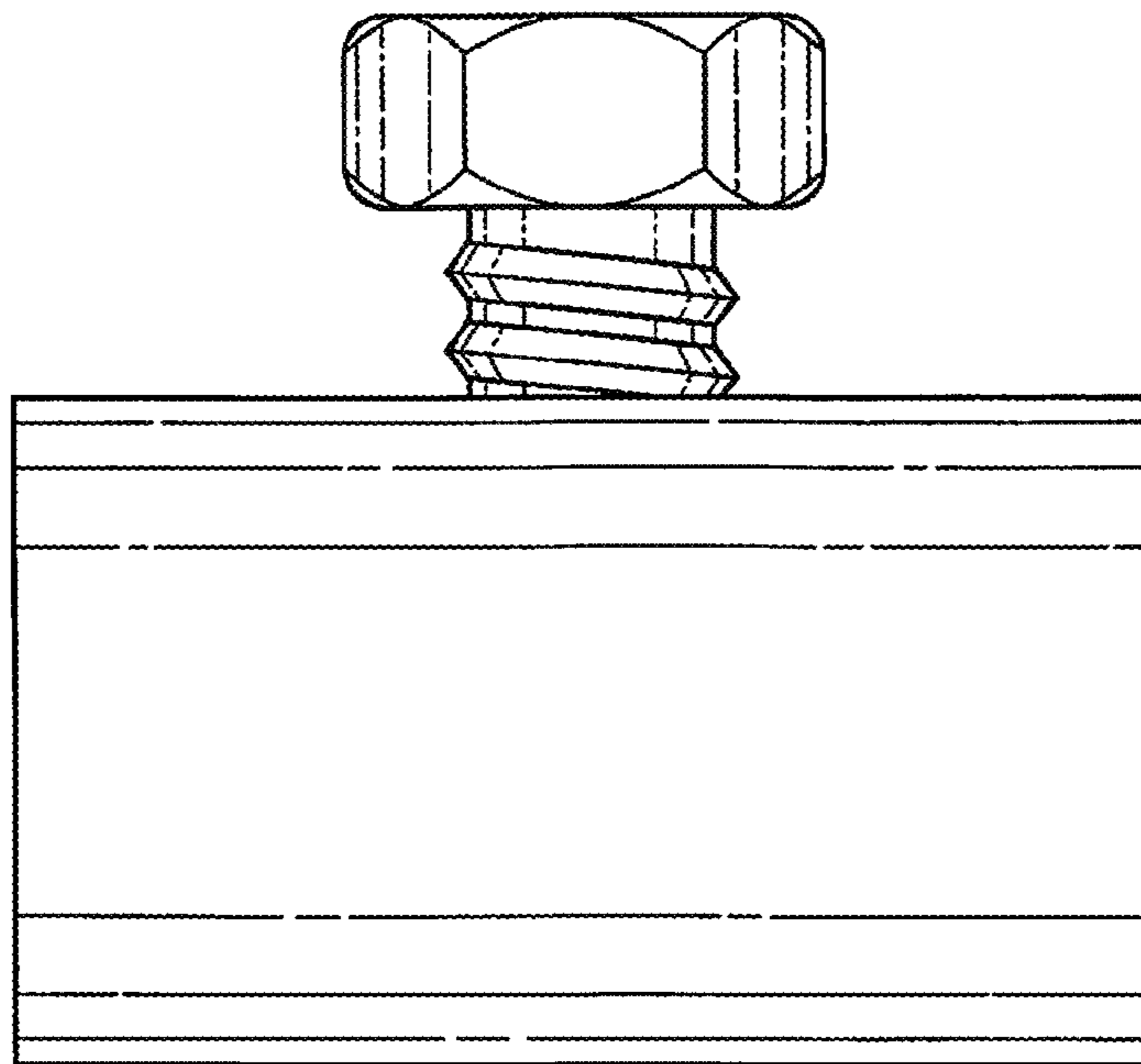


FIG. 3



**FIG. 4**



**FIG. 5**