

US00D763670S

(12) **United States Design Patent**
Monsees

(10) **Patent No.:** **US D763,670 S**
(45) **Date of Patent:** **** Aug. 16, 2016**

(54) **CONNECTOR BLOCK**

(71) Applicant: **Revolution Display, LLC**, Glendale, CA (US)
(72) Inventor: **Shane Monsees**, Lancaster, CA (US)
(73) Assignee: **Revolution Display, LLC**, Glendale, CA (US)
(**) Term: **15 Years**

(21) Appl. No.: **29/560,531**

(22) Filed: **Apr. 7, 2016**

(51) **LOC (10) Cl.** **08-08**

(52) **U.S. Cl.**
USPC **D8/382**

(58) **Field of Classification Search**

USPC D8/349, 354, 373, 380, 382, 394, 396,
D8/499; D6/317, 328, 332, 681, 702;
D23/259, 262, 263, 499
CPC A47B 47/0008; A47B 47/0016; A47B
47/0058; A47B 47/0033; A47B 47/0041;
A47B 47/005; A47B 47/028; F16B 12/40;
F16B 12/44; F16B 2012/403; F16B 2012/406;
F16B 7/0486; F16B 7/0426; Y10T 403/42;
Y10T 403/4602

See application file for complete search history.

(56) **References Cited**

U.S. PATENT DOCUMENTS

D208,523 S * 9/1967 Graham D23/263
D208,524 S * 9/1967 Graham D23/263
3,386,590 A * 6/1968 Gretz F21V 35/00
211/182
D249,459 S * 9/1978 Halliwell D8/354
4,267,682 A * 5/1981 Fowler E04B 1/08
403/174

(Continued)

FOREIGN PATENT DOCUMENTS

CN 200930158446.7 6/2010
CN 201709811 U 1/2011
CN 203478141 U 3/2014

OTHER PUBLICATIONS

External Corners PVC Sheet Joinery; http://www.bgcinnovadesign.com.au/durasheet_download (Last viewed on Mar. 29, 2016).

(Continued)

Primary Examiner — Sheryl Lane

Assistant Examiner — Ieisha Price

(74) *Attorney, Agent, or Firm* — Downs Rachlin Martin PLLC

(57) **CLAIM**

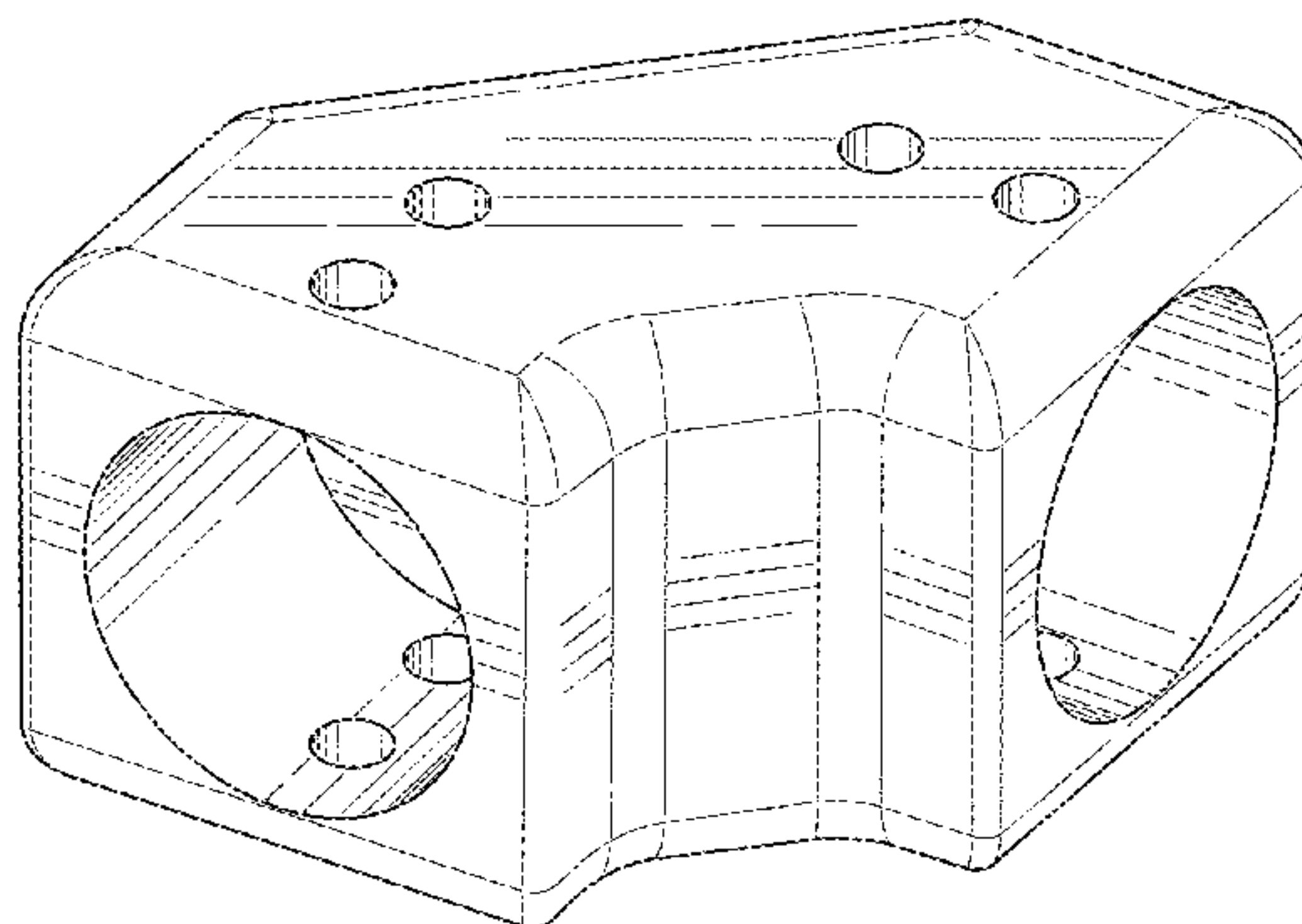
The ornamental design for a connector block, as shown and described.

DESCRIPTION

FIG. 1 is a perspective view of the first embodiment of a connector block showing my new design;
FIG. 2 is another perspective view thereof;
FIG. 3 is a front view thereof;
FIG. 4 is a rear view thereof;
FIG. 5 is a side view thereof;
FIG. 6 is a second side view thereof;
FIG. 7 is a top view thereof;
FIG. 8 is a bottom view thereof;
FIG. 9 is a perspective view of the second embodiment of a connector block showing my new design;
FIG. 10 is another perspective view thereof;
FIG. 11 is a front view thereof;
FIG. 12 is a rear view thereof;
FIG. 13 is a side view thereof;
FIG. 14 is a second side view thereof;
FIG. 15 is a top view thereof; and,
FIG. 16 is a bottom view thereof.

The broken lines in the drawings illustrate portions of the connector block which form no part of the claimed design. The shade lines in the Figures show contour and not surface ornamentation.

1 Claim, 16 Drawing Sheets



(56)

References Cited

U.S. PATENT DOCUMENTS

4,294,561 A * 10/1981 Chapman F16B 7/0486
403/219
D264,047 S * 4/1982 Magner D8/382
5,150,980 A 9/1992 Lin
5,326,337 A * 7/1994 Pardella A63B 9/00
403/170
D418,047 S * 12/1999 Hirano D8/382
6,247,869 B1 * 6/2001 Lichvar F16L 47/00
285/179.1
6,427,588 B1 8/2002 Kline
D465,522 S 11/2002 Beno
D584,386 S * 1/2009 Zelko D23/263
2005/0036829 A1 * 2/2005 Trull A01G 9/16
403/170
2006/0138066 A1 * 6/2006 Hung A47B 47/005
211/189
2008/0060314 A1 * 3/2008 Davies E06B 3/9682
52/656.4
2011/0299922 A1 * 12/2011 Trivette B23K 31/022
403/402

2011/0303813 A1* 12/2011 Lijesnic A47B 47/0033
248/309.1
2013/0308999 A1* 11/2013 Black F16B 5/0614
403/205

OTHER PUBLICATIONS

ASRock M8 Mini-ITX Barebones Gaming PC Review; <http://www.tomshardware.com/reviews/asrock-m8-mini-itx-gaming-pc,3627-6.html> (Oct. 24, 2013).
PLY90 Corner Brackets; <https://www.inventables.com/technologies/ply90-corner-brackets>. (Last viewed on Mar. 29, 2016).
Shock mounted server rack; <http://www.3d-flightcases.co.uk/flight-cases/10u-portable-server-rack.php?p=2> (2011-2015).
Extrusion aluminum accessories connectors; http://cnaluprofile.en.alibaba.com/product/60130376828-220205281/extrusion_aluminum_accessories_connectors.html (Last viewed on Mar. 29, 2016).
Round Timber Post Three Way Connector; <http://www.tuin.co.uk/Round-Post-3-Connector.html> (Last viewed on Mar. 29, 2016).
Studio lighting—soft panel frame designed for hotlight; <http://www.diyphotography.net/soft-panel-frame-designed-for-hotlight/> (Mar. 12, 2006).

* cited by examiner

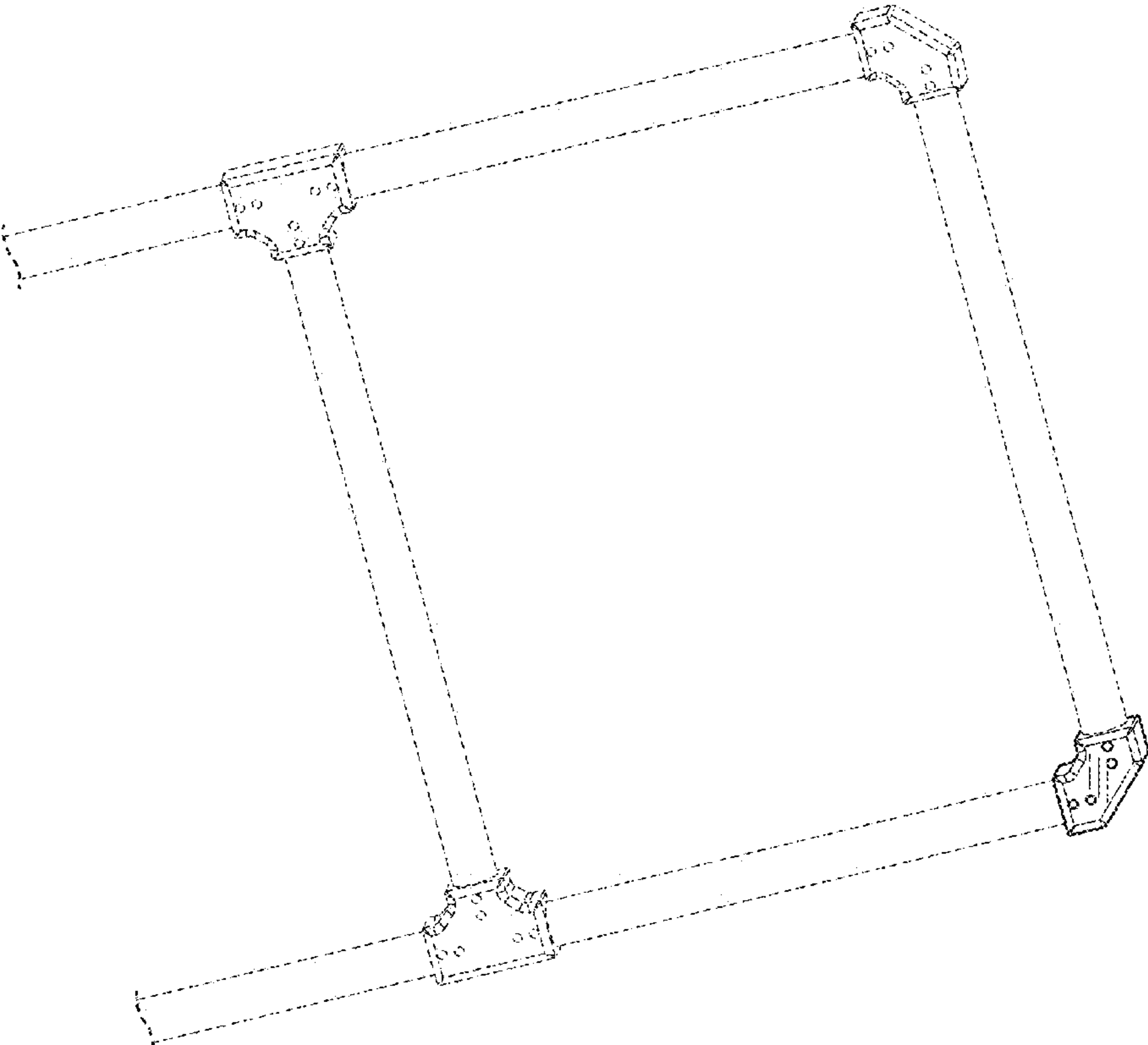


FIG. 1

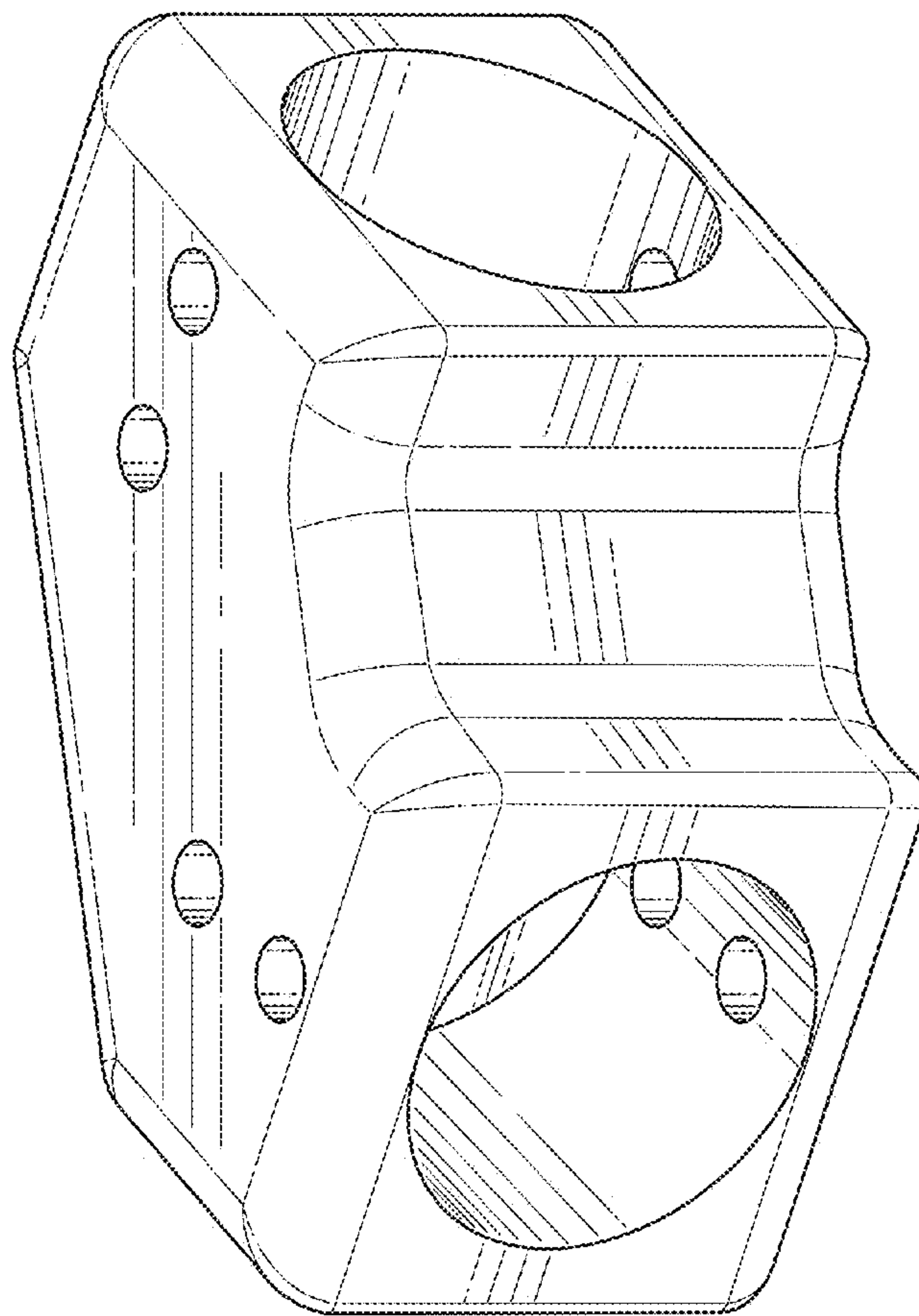


FIG. 2

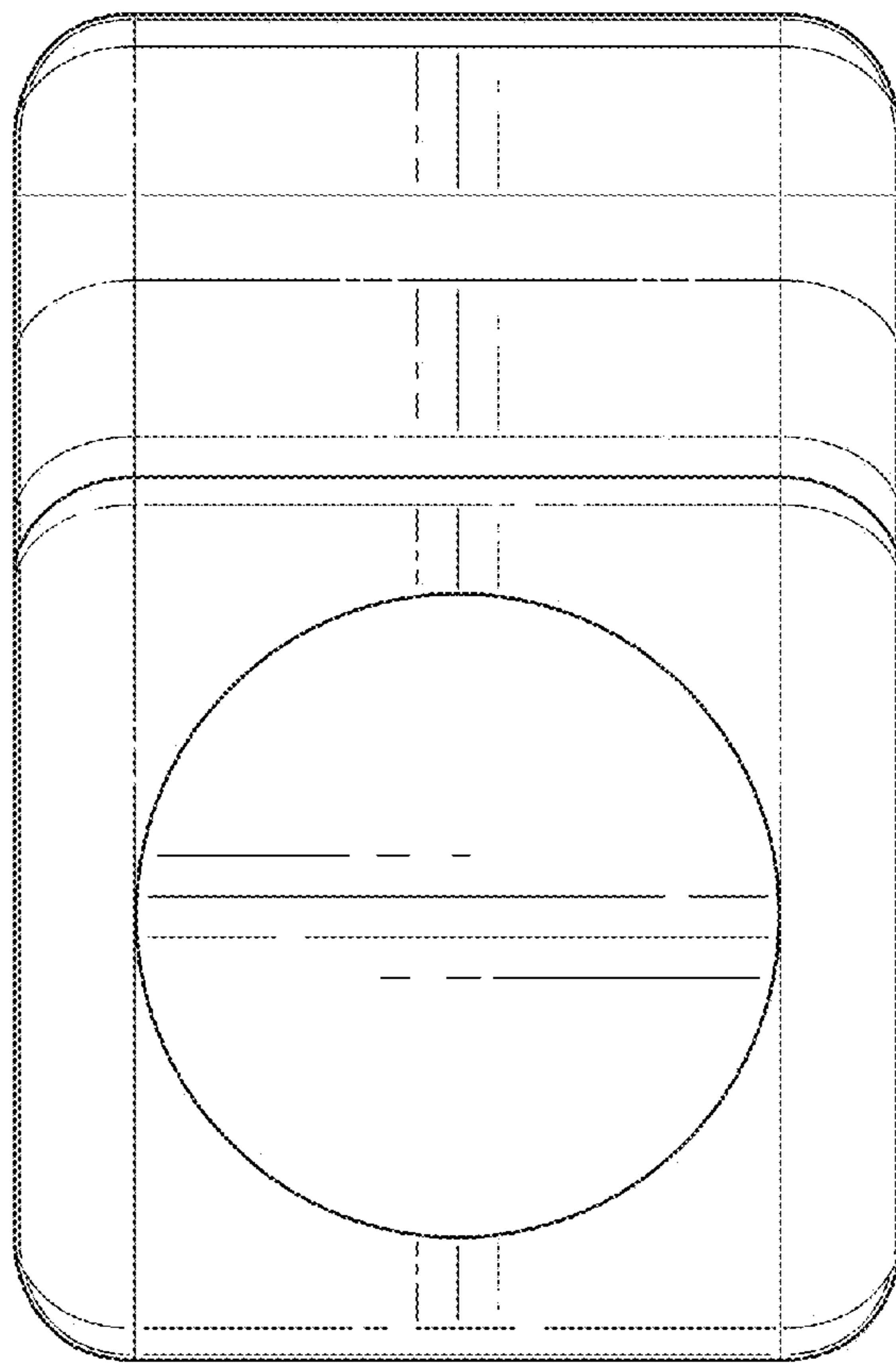


FIG. 3

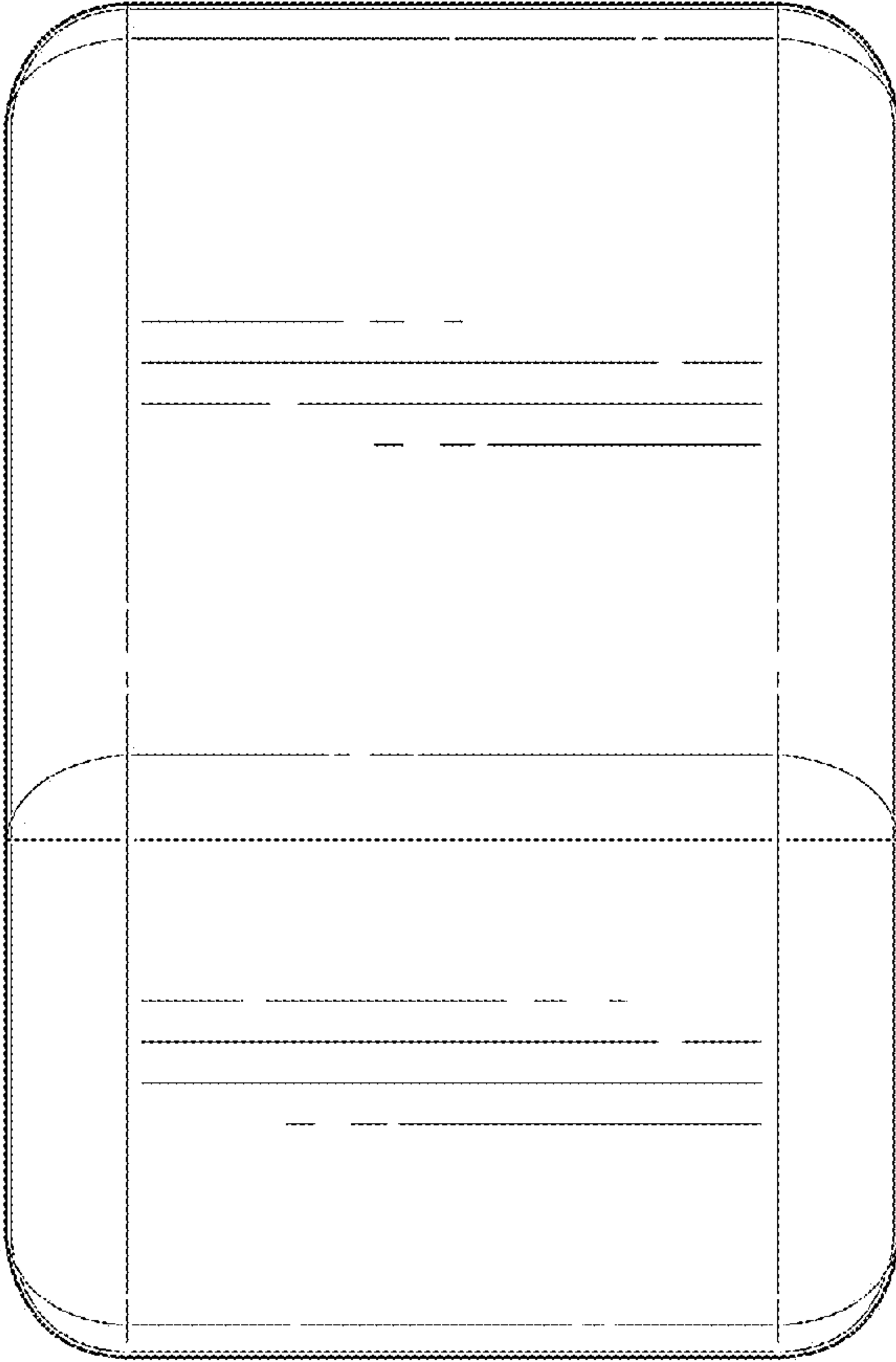


FIG. 4

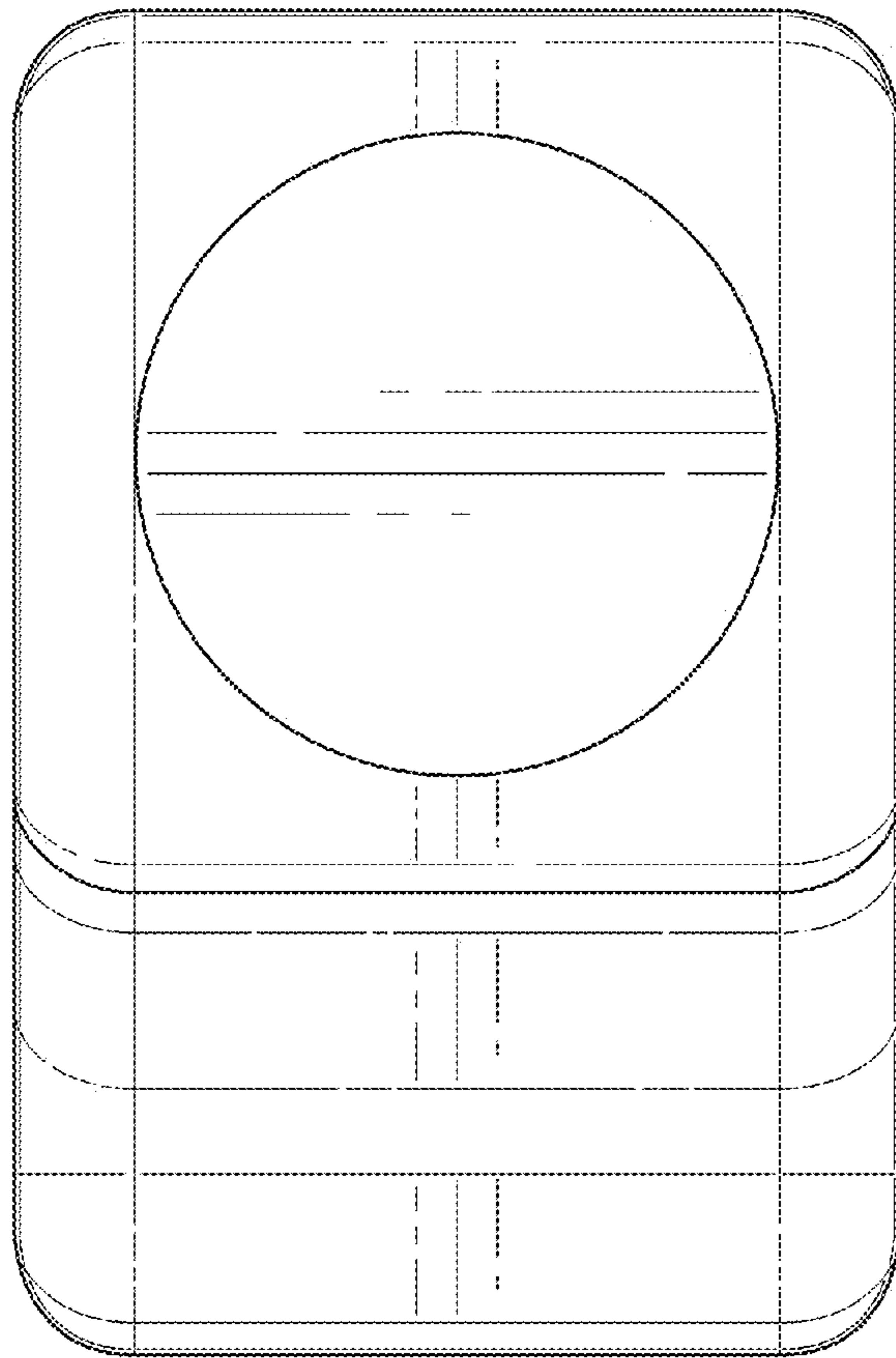


FIG. 5

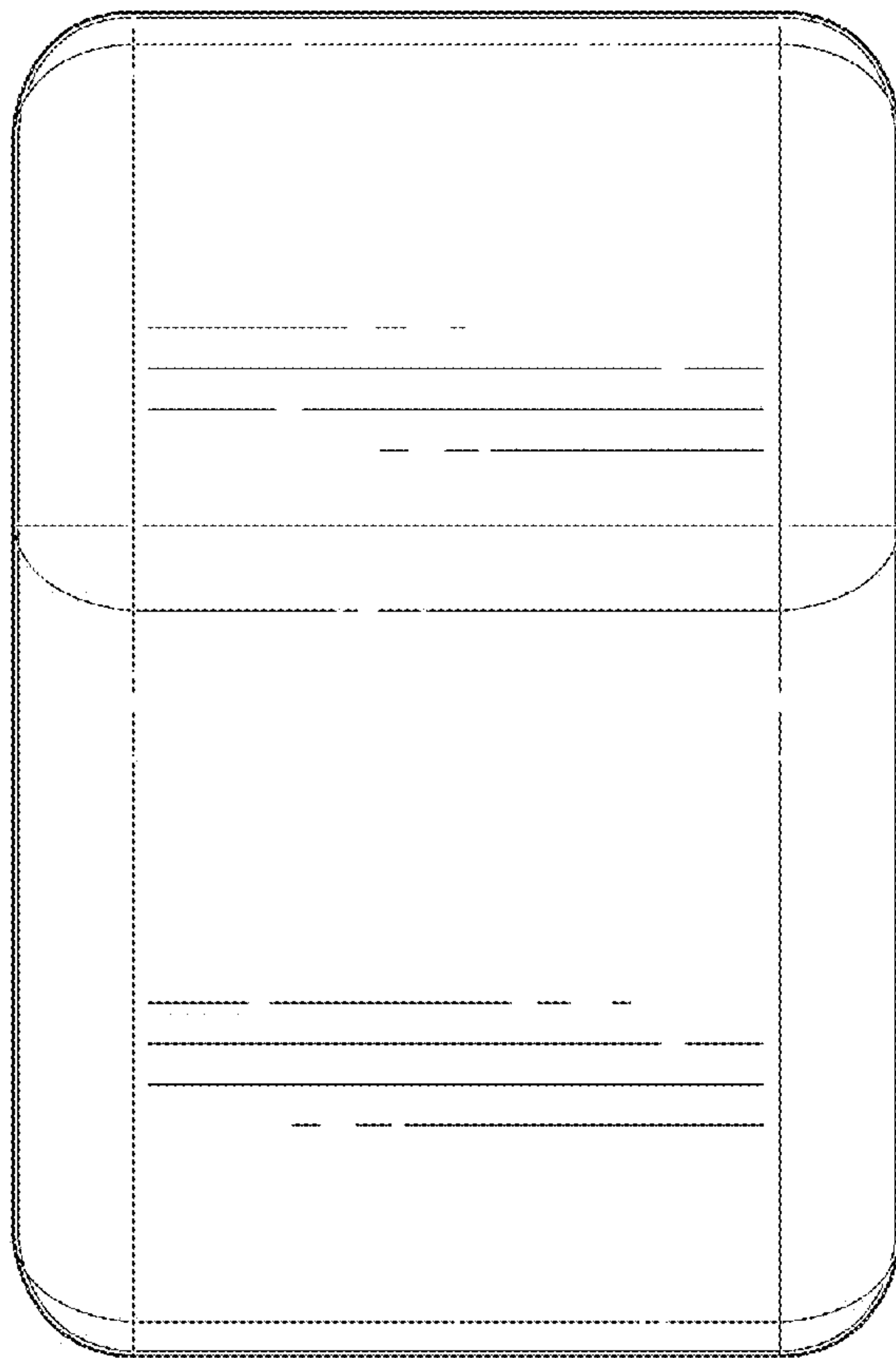


FIG. 6

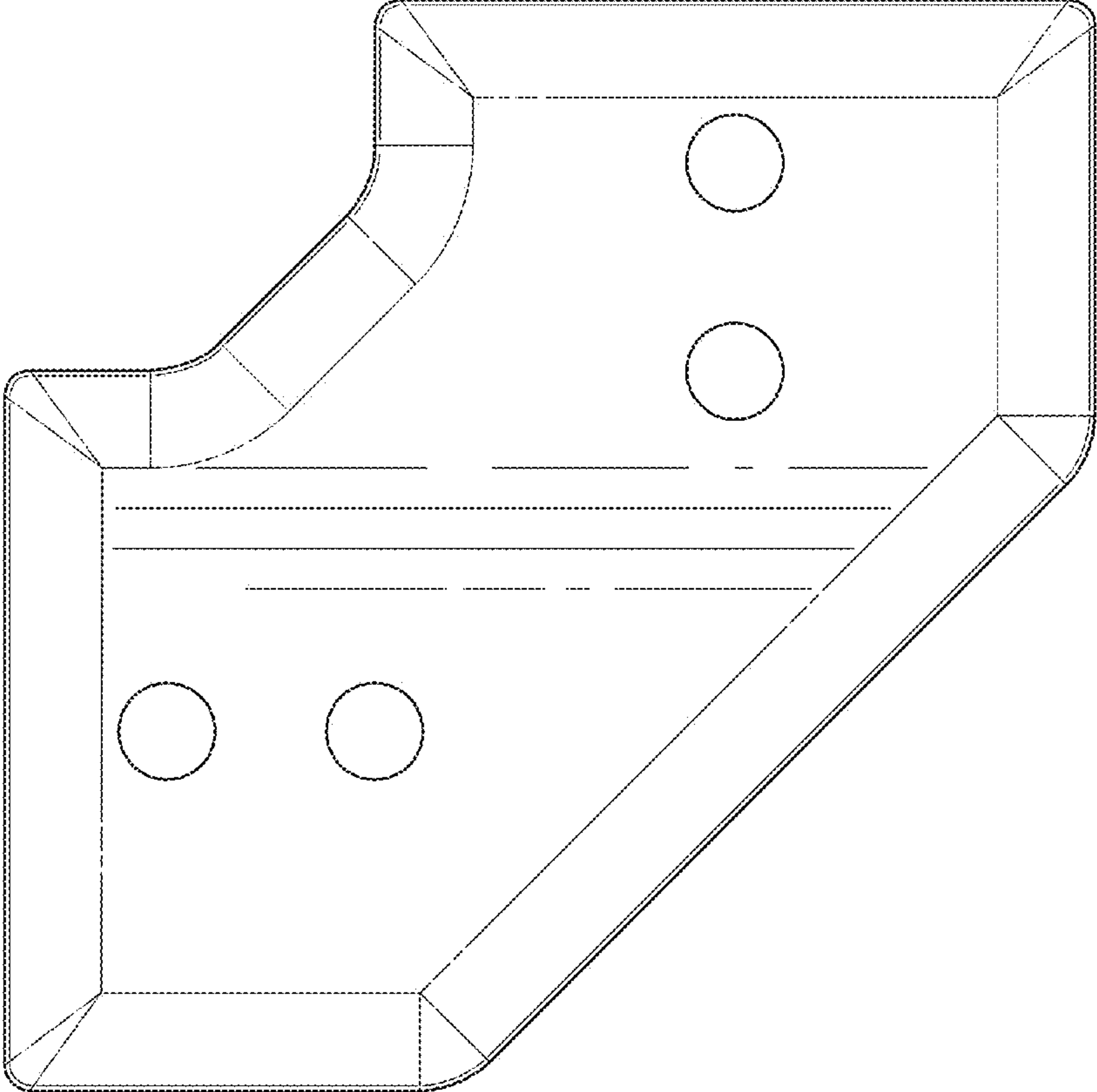


FIG. 7

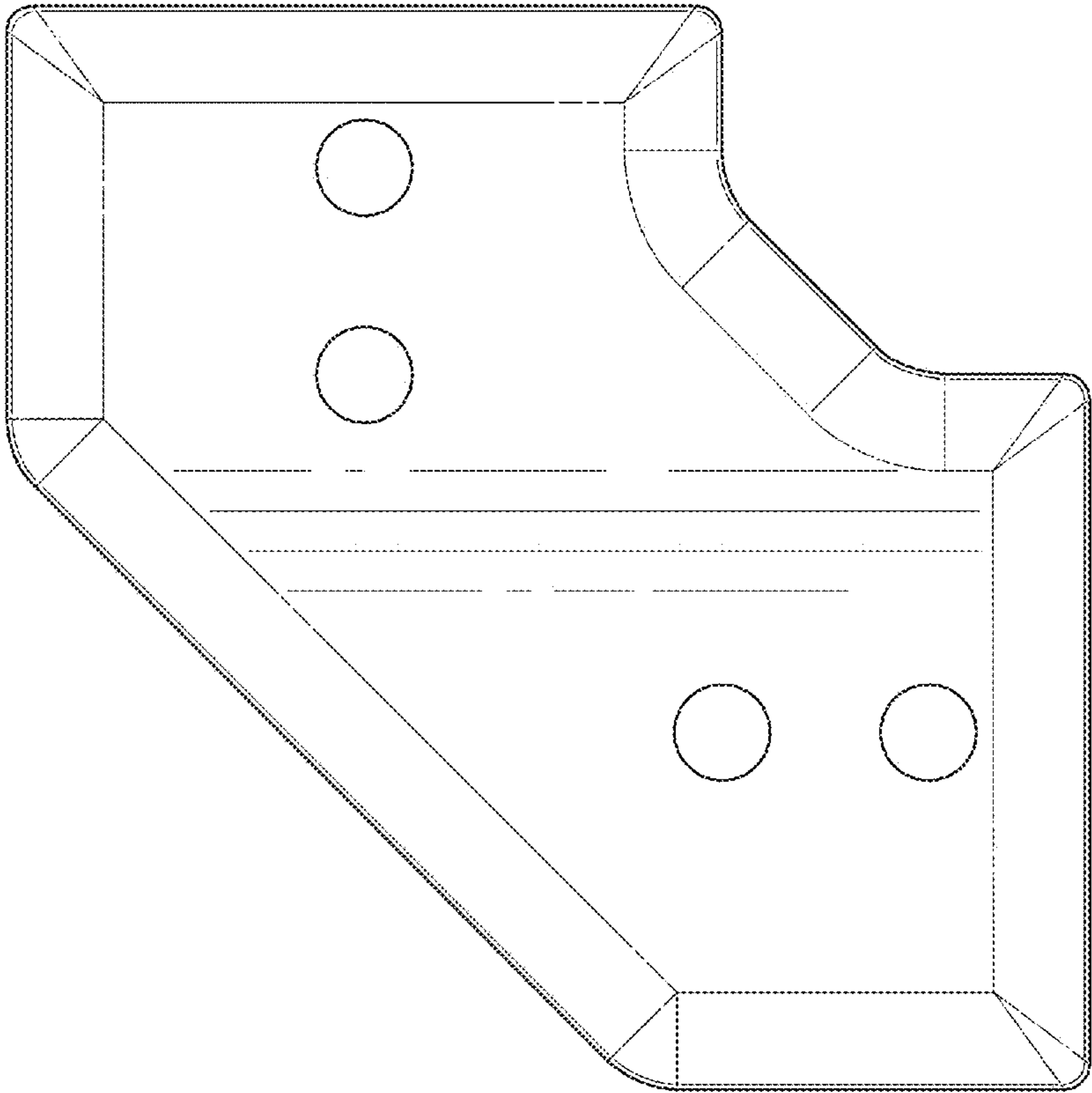


FIG. 8

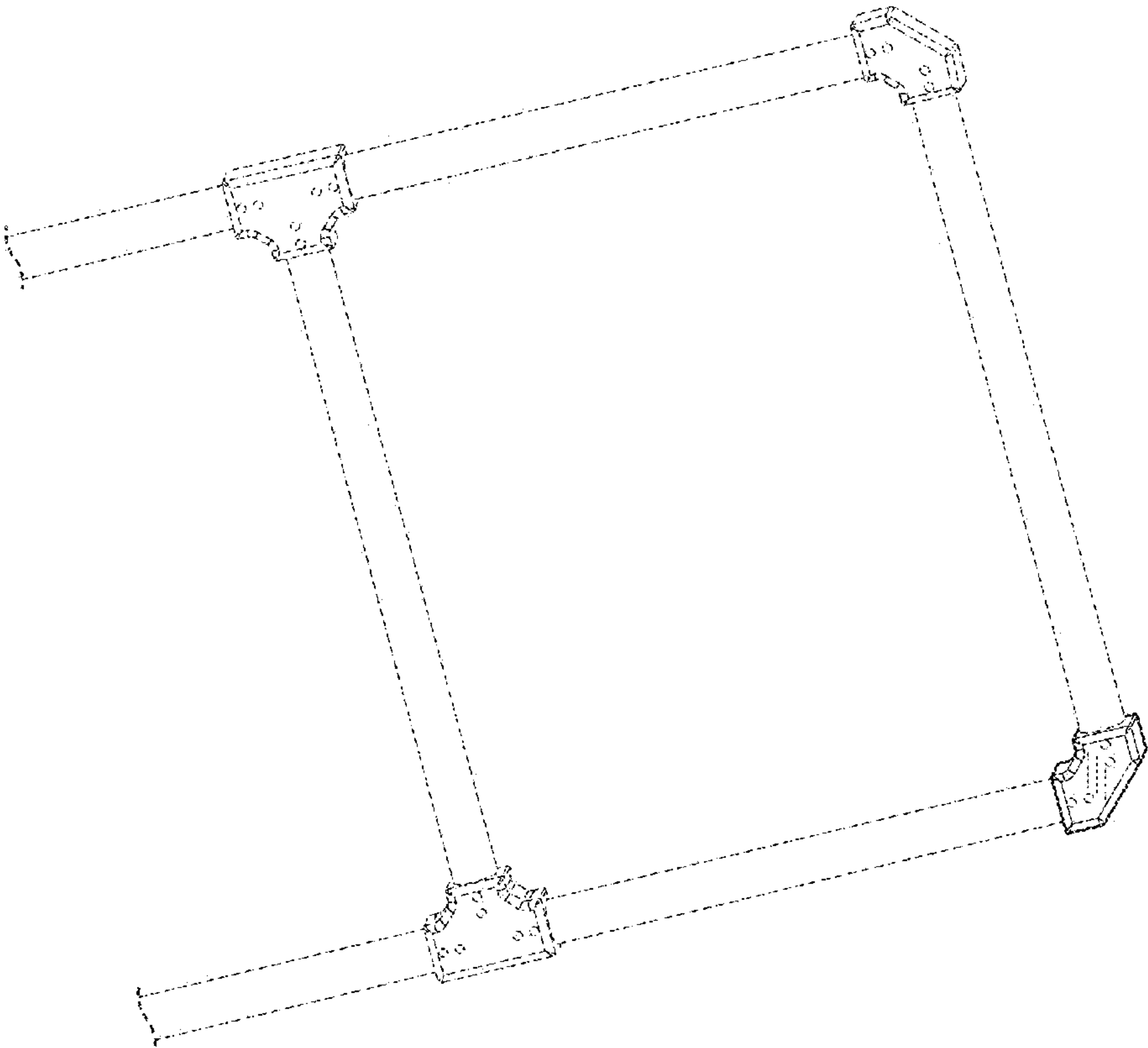


FIG. 9

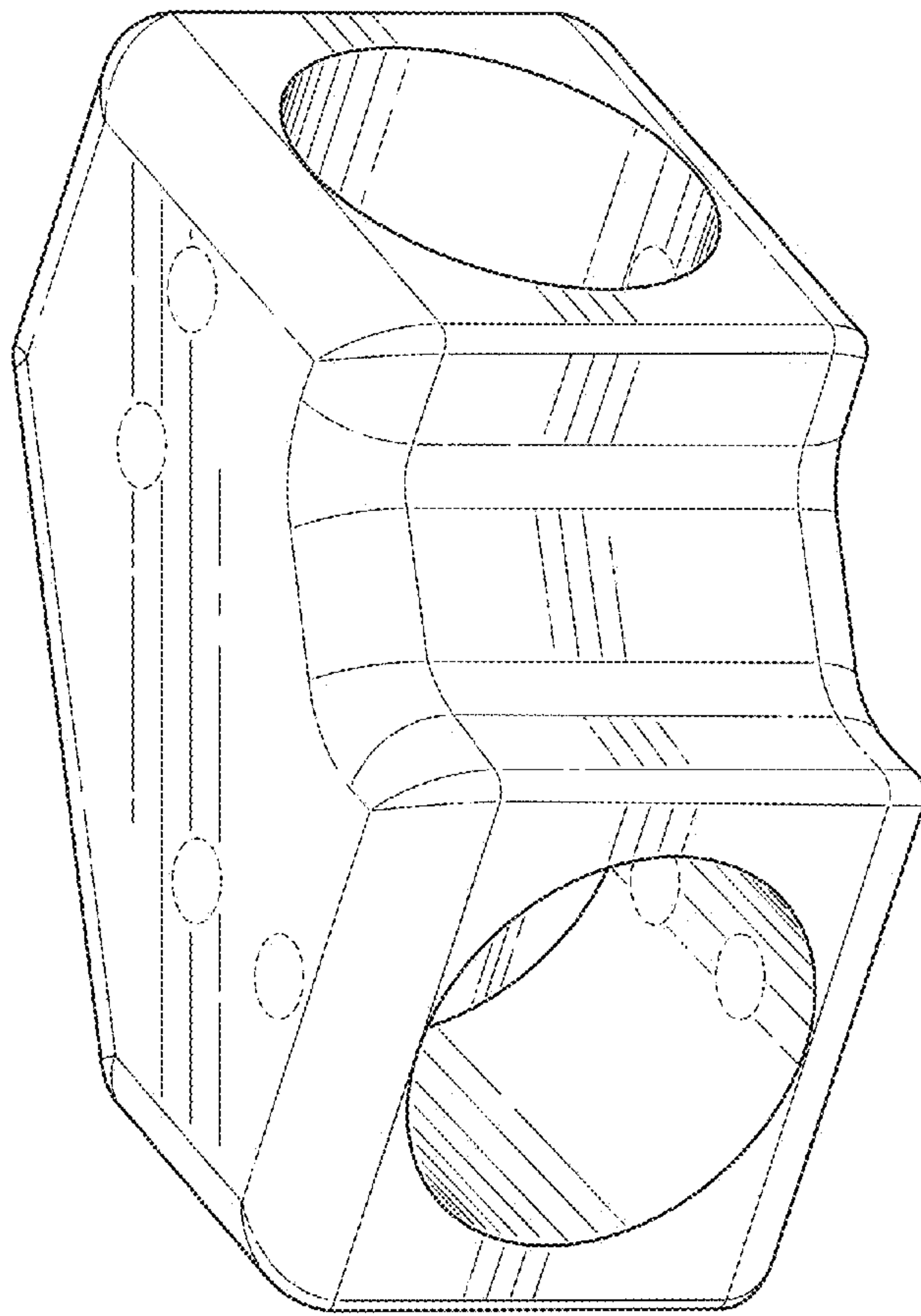


FIG. 10

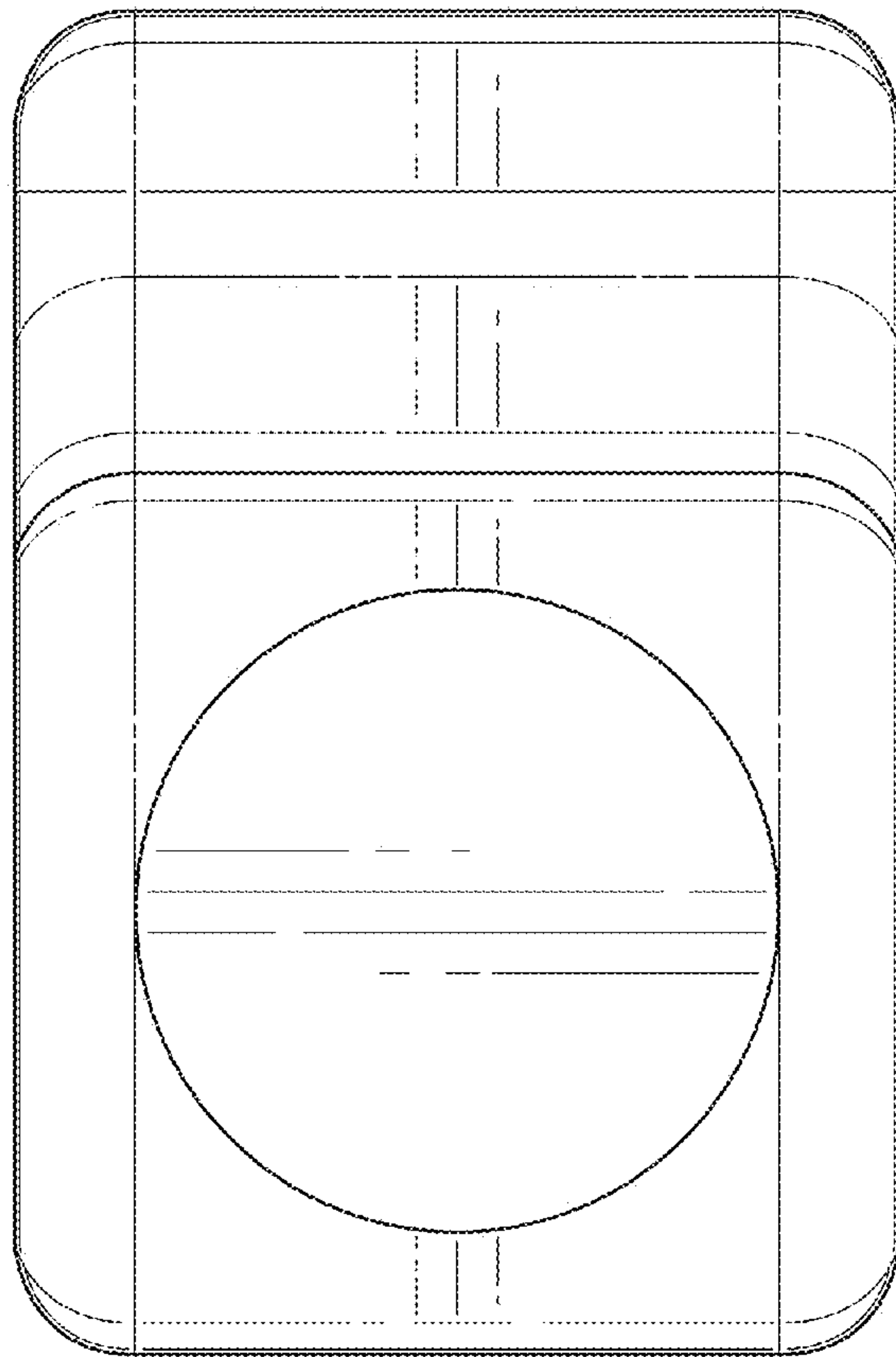


FIG. 11

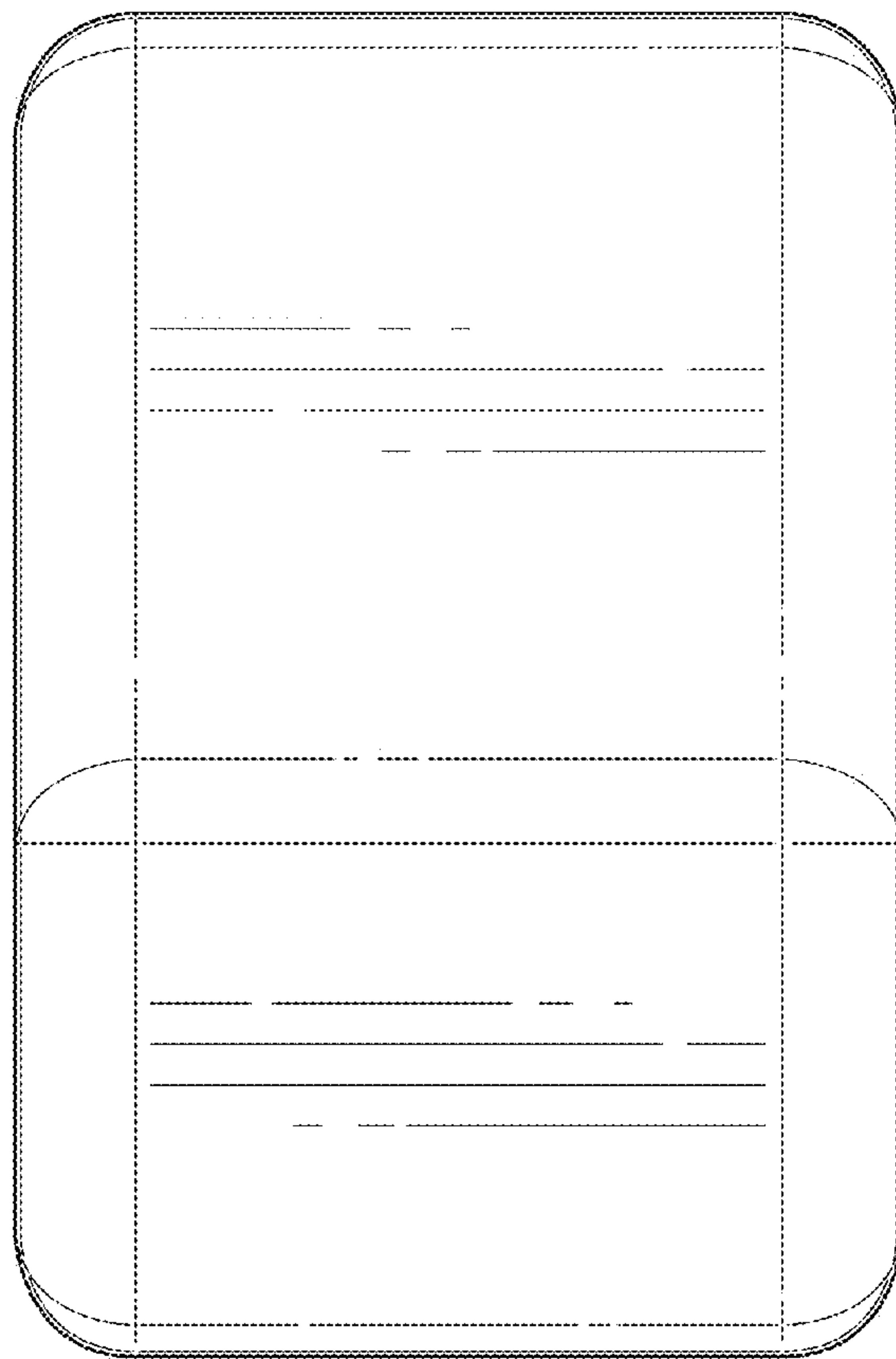


FIG. 12

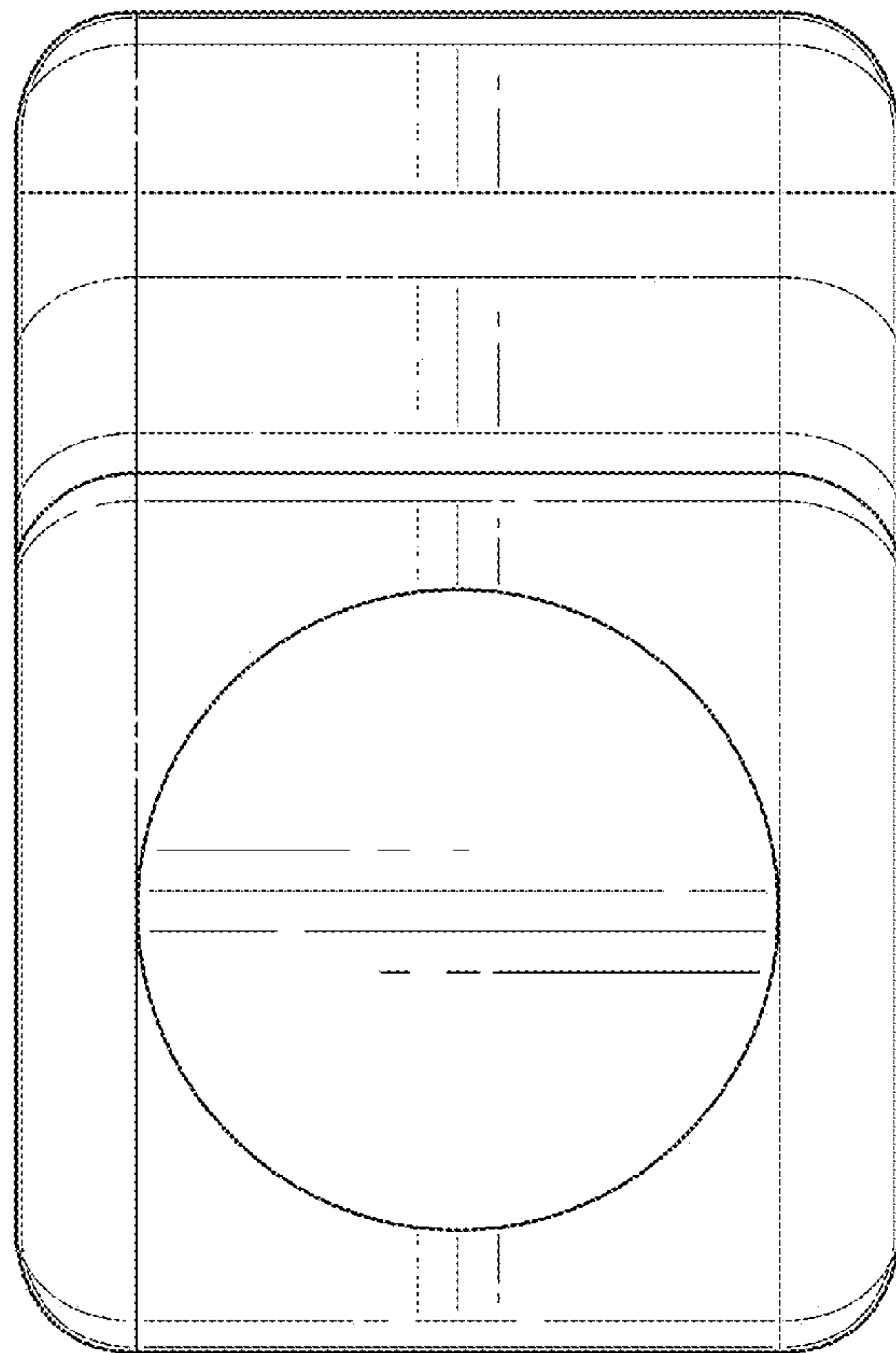


FIG. 13

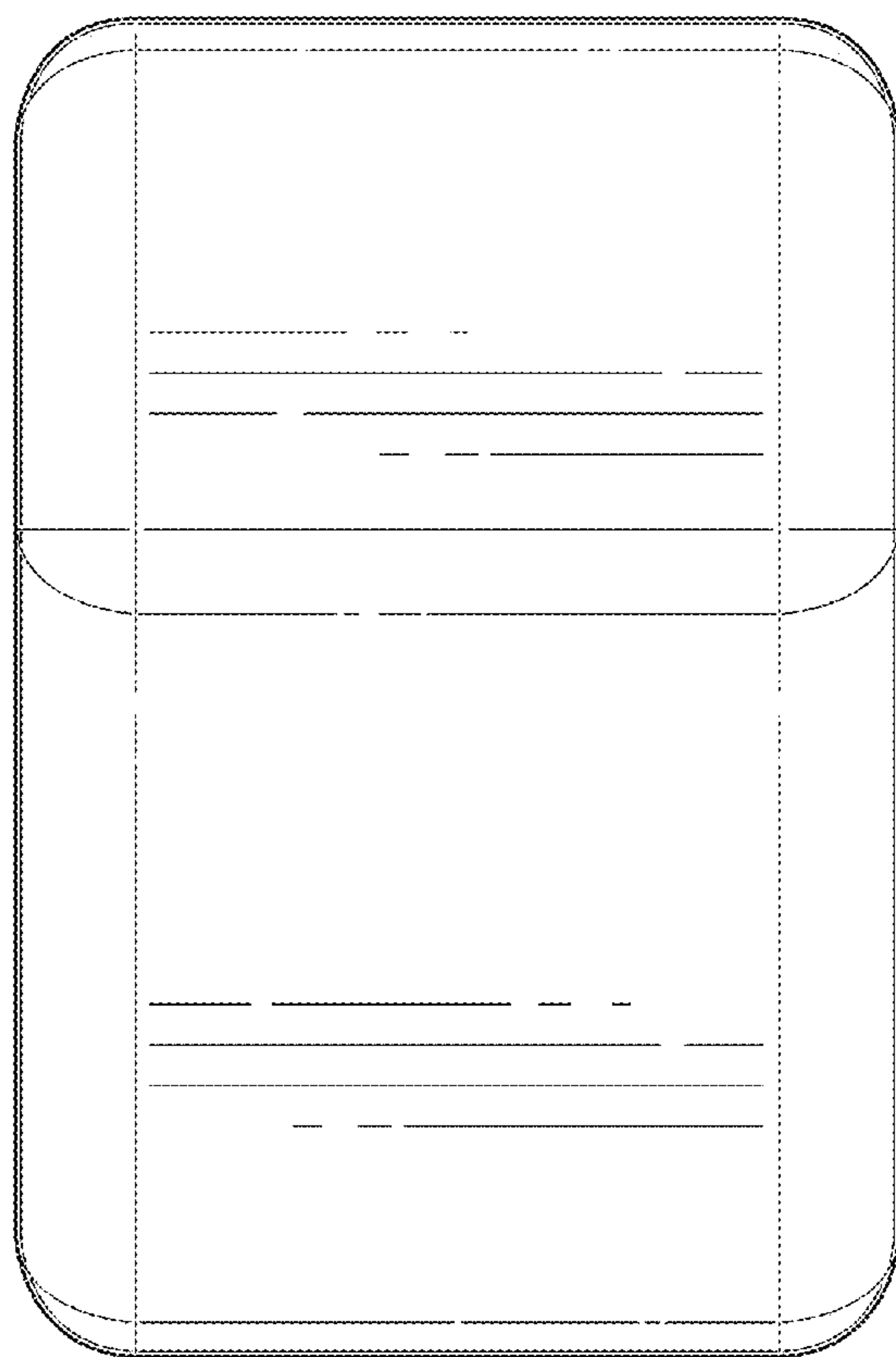


FIG. 14

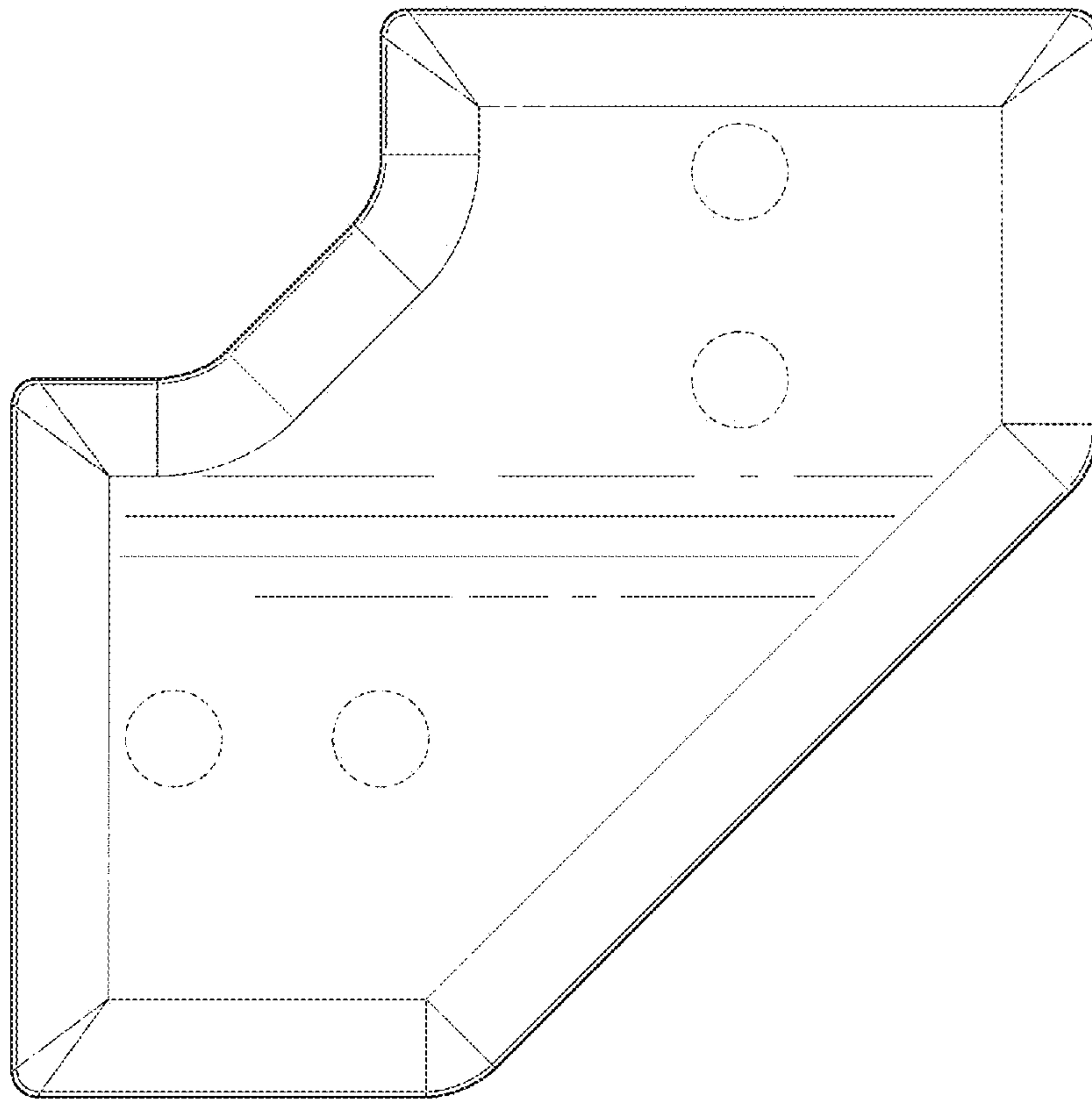


FIG. 15

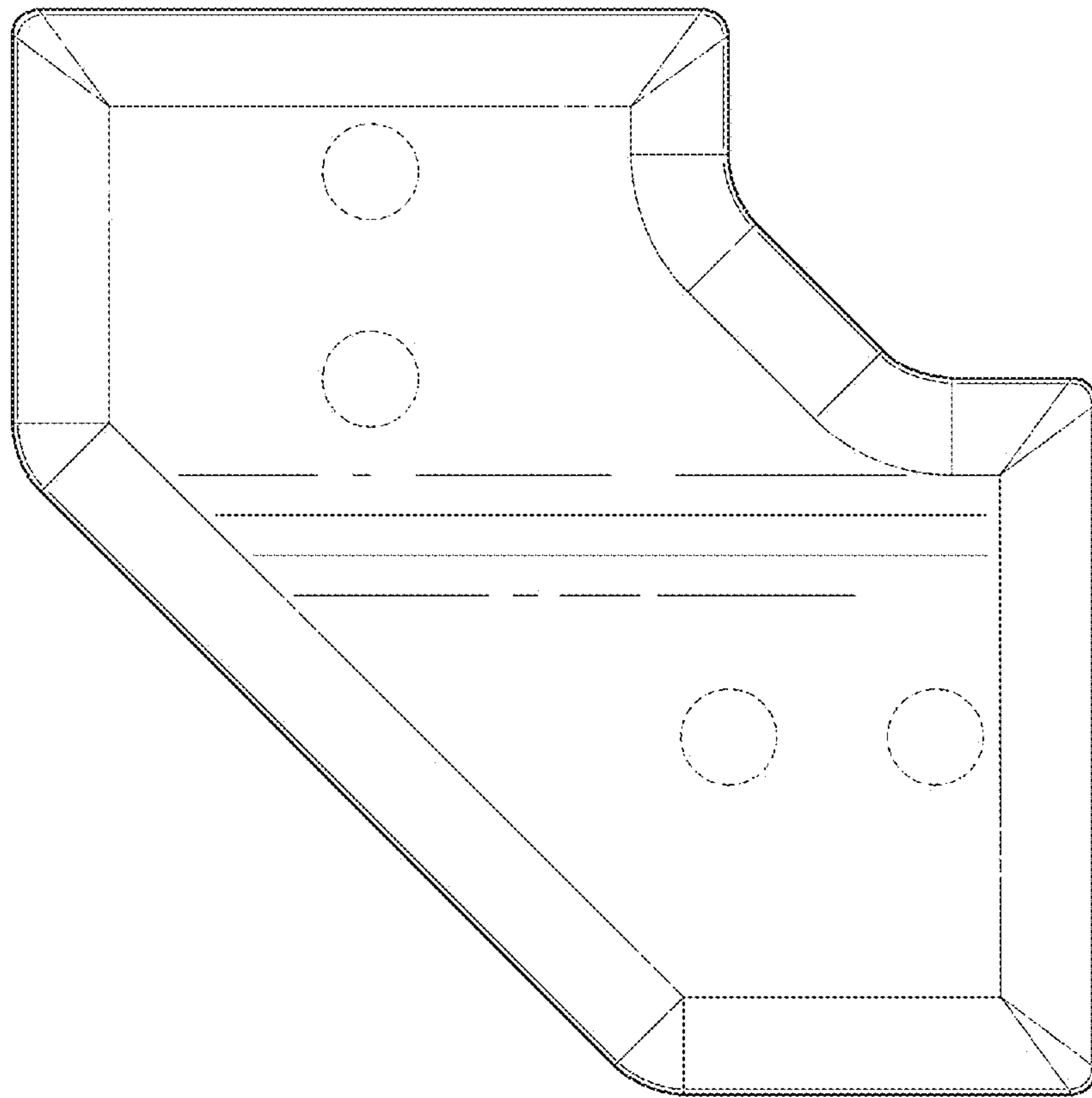


FIG. 16