



US00D763668S

(12) **United States Design Patent**
Wong

(10) **Patent No.:** **US D763,668 S**

(45) **Date of Patent:** **** Aug. 16, 2016**

(54) **TRAPEZOIDAL HOOK**

(71) Applicant: **Tin Cham Wong**, Hong Kong (HK)

(72) Inventor: **Tin Cham Wong**, Hong Kong (HK)

(**) Term: **14 Years**

(21) Appl. No.: **29/520,676**

(22) Filed: **Mar. 17, 2015**

(51) **LOC (10) Cl.** **08-05**

(52) **U.S. Cl.**
USPC **D8/367**

(58) **Field of Classification Search**
USPC D8/367, 354, 349, 389; 248/301, 302,
248/303, 304, 339; 24/132 R; D6/325
CPC A47G 1/00; F16B 2/00; A63B 27/00
See application file for complete search history.

(56) **References Cited**

U.S. PATENT DOCUMENTS

D271,465 S *	11/1983	Boissonnet	D8/367
5,257,441 A *	11/1993	Barlow	F16B 45/02 24/599.5
5,538,303 A *	7/1996	Dunham	B63B 21/54 24/599.1
D455,642 S *	4/2002	Kelleghan	D8/367
D485,431 S *	1/2004	Hsu	D3/210
D520,345 S *	5/2006	Kelleghan	D8/356

D521,362 S *	5/2006	Kelleghan	D8/356
D573,875 S *	7/2008	Anderson	D8/367
D699,098 S *	2/2014	Fretz	D8/367
D730,159 S *	5/2015	Grimm	D8/356
D730,722 S *	6/2015	Grimm	D8/356
D735,559 S *	8/2015	Liang	D8/356
D736,070 S *	8/2015	Kaneko	D8/367
D740,646 S *	10/2015	Sargent	D8/367
D743,778 S *	11/2015	Huang	D8/367
D749,938 S *	2/2016	Norpoth	D8/367

* cited by examiner

Primary Examiner — Cynthia Underwood

(74) *Attorney, Agent, or Firm* — Dunlap Bennett & Ludwig PLLC

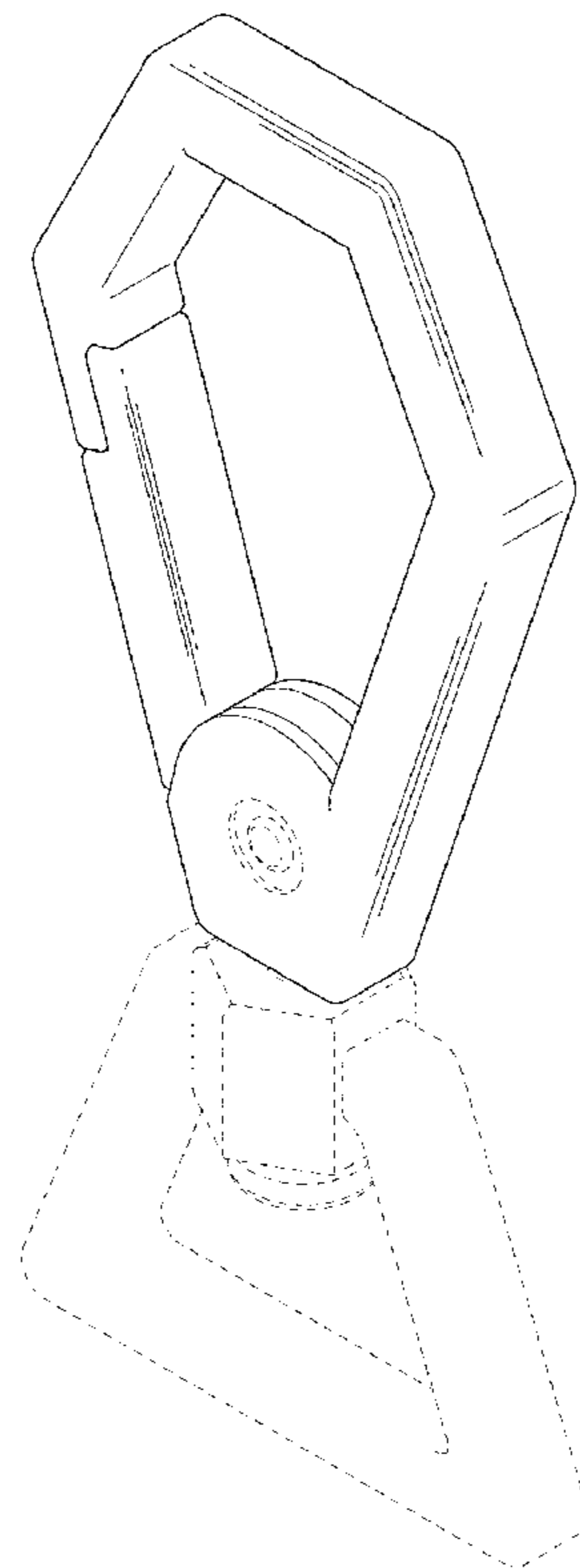
(57) **CLAIM**

The ornamental design for a trapezoidal hook, as shown and described.

DESCRIPTION

FIG. 1 is an isometric view of a trapezoidal hook;
FIG. 2 is a front elevation view thereof; the rear elevation view being a mirror image thereof;
FIG. 3 is a left elevation view thereof;
FIG. 4 is a right elevation view thereof;
FIG. 5 is a top elevation view thereof; and,
FIG. 6 is a bottom elevation view thereof.
The broken lines shown in the drawings illustrate portions of the trapezoidal hook that form no part of the claimed design.

1 Claim, 3 Drawing Sheets



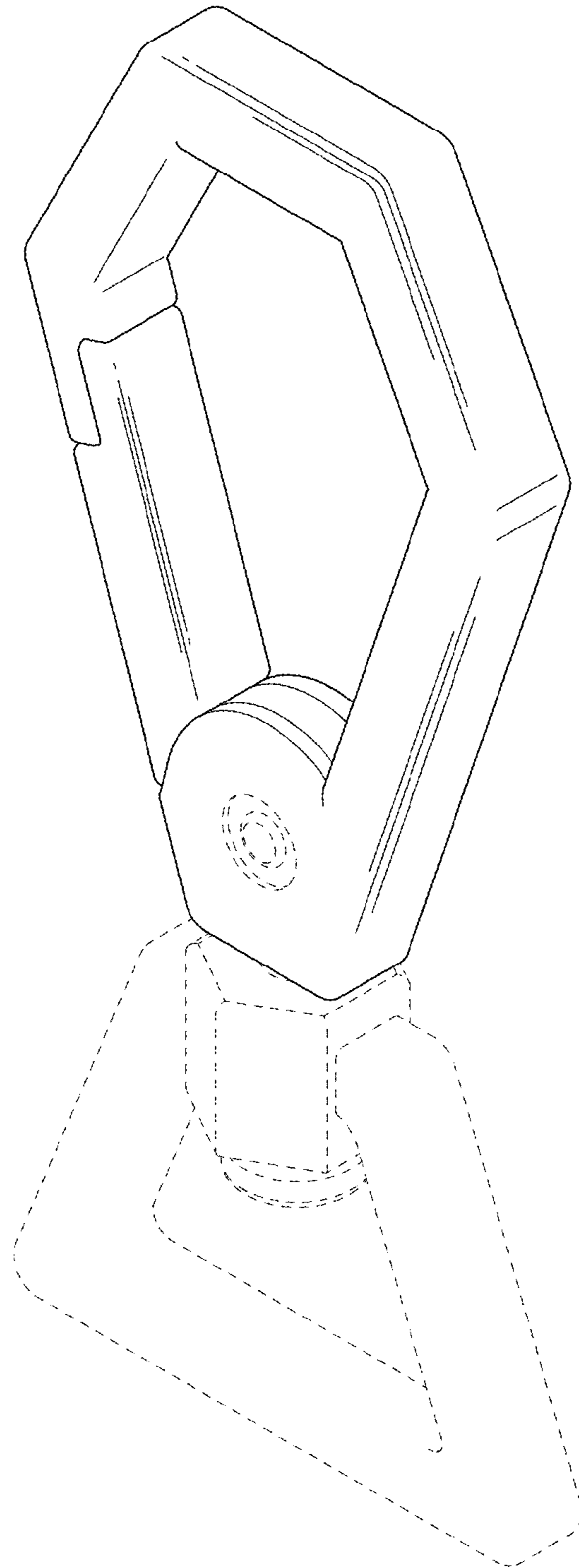


FIG. 1

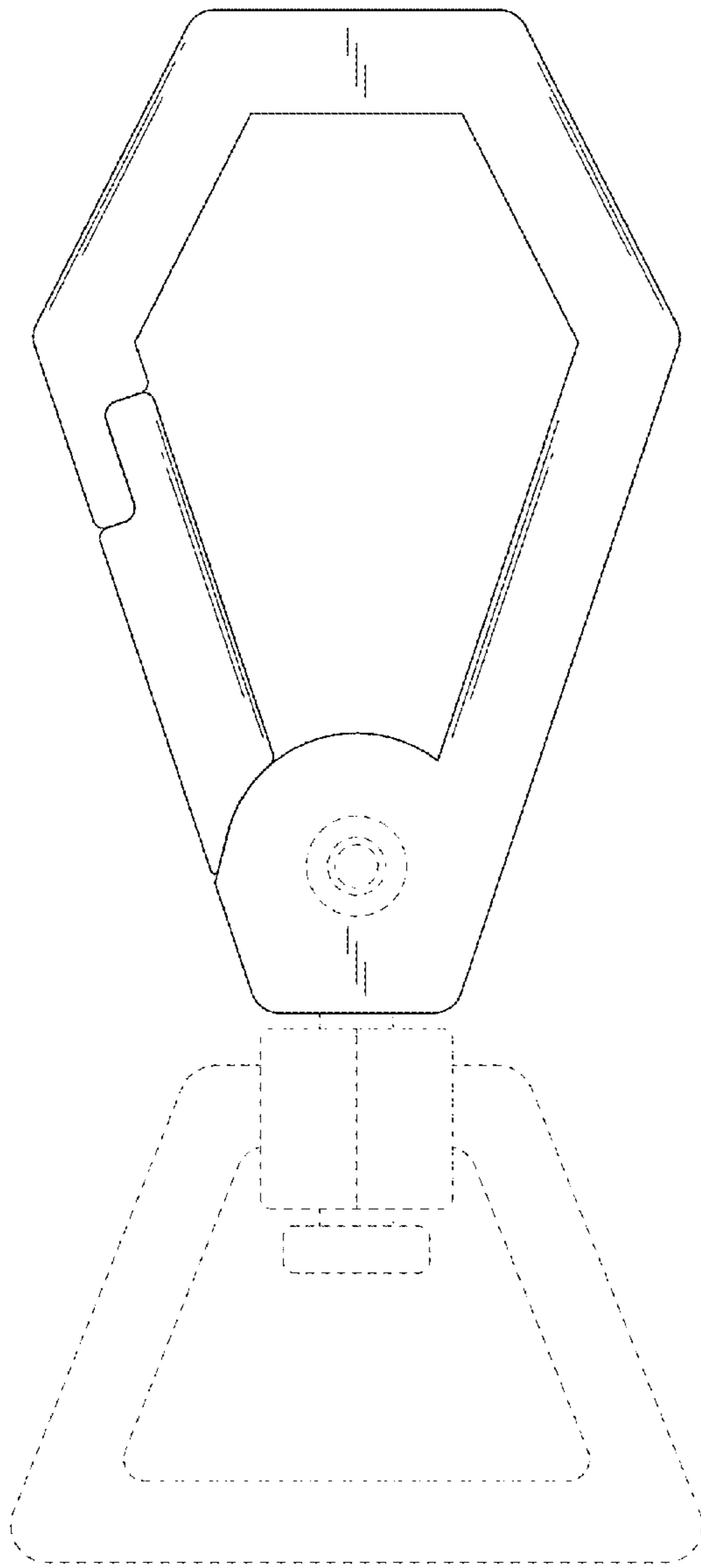


FIG. 2

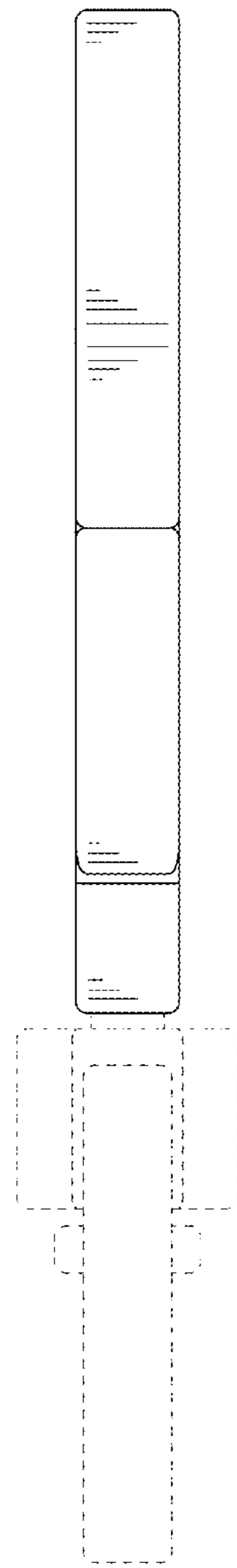


FIG. 3

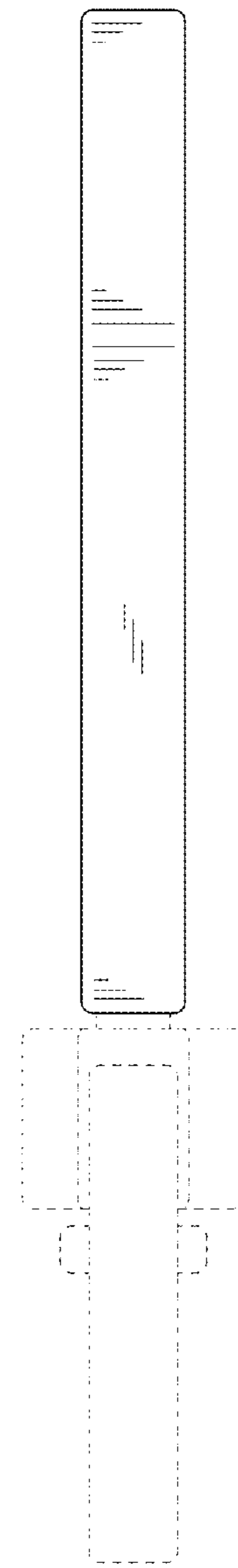


FIG. 4



FIG. 5



FIG. 6