



US00D763665S

(12) **United States Design Patent**  
**Hallare**

(10) **Patent No.:** **US D763,665 S**

(45) **Date of Patent:** **\*\* Aug. 16, 2016**

(54) **HOSE-CORD HANGER**

(71) Applicant: **Jose M. Hallare**, Visalia, CA (US)

(72) Inventor: **Jose M. Hallare**, Visalia, CA (US)

(73) Assignee: **Jose M. Hallare**, Visalia, CA (US)

(\*\*) Term: **15 Years**

(21) Appl. No.: **29/526,806**

(22) Filed: **May 13, 2015**

(51) **LOC (10) Cl.** ..... **08-05**

(52) **U.S. Cl.**  
USPC ..... **D8/356**

(58) **Field of Classification Search**  
USPC ..... D32/361; D9/434; D24/143; 24/129 R,  
24/18, 130, 289, 297, 457; 606/203;  
D8/354, 356, 382, 394, 367, 349;  
D12/217; 248/75, 301, 302, 303, 304,  
248/339, 205.3, 544; 242/615; 294/209, 24,  
294/2, 210, 211; 403/53, 91  
CPC ..... B60T 3/00; H02G 3/045; F16B 2/00;  
A63B 27/00

See application file for complete search history.

(56) **References Cited**

U.S. PATENT DOCUMENTS

6,059,215	A *	5/2000	Finnis .....	B65H 75/366 242/400.1
D551,542	S *	9/2007	Gallien .....	D8/373
D554,979	S *	11/2007	Hsu .....	D8/356
D628,465	S *	12/2010	Hernandez .....	D8/356
D647,784	S *	11/2011	McNamara .....	D8/349
D669,341	S *	10/2012	Hernandez .....	D8/356
D724,934	S *	3/2015	Lu .....	D8/356
D736,601	S *	8/2015	Cox .....	D8/356
9,173,507	B2 *	11/2015	Thrush .....	F16M 13/02
2001/0032910	A1 *	10/2001	Brueske .....	B65H 75/366 248/80

\* cited by examiner

*Primary Examiner* — Cynthia Underwood

(74) *Attorney, Agent, or Firm* — Coleman & Horowitz, LLP;  
Sherrie M. Flynn

(57) **CLAIM**

The ornamental design for a hose-cord hanger, as shown and described.

**DESCRIPTION**

FIG. 1 is a perspective view of a hose-cord hanger according to the present invention.

FIG. 2 is a right side view thereof.

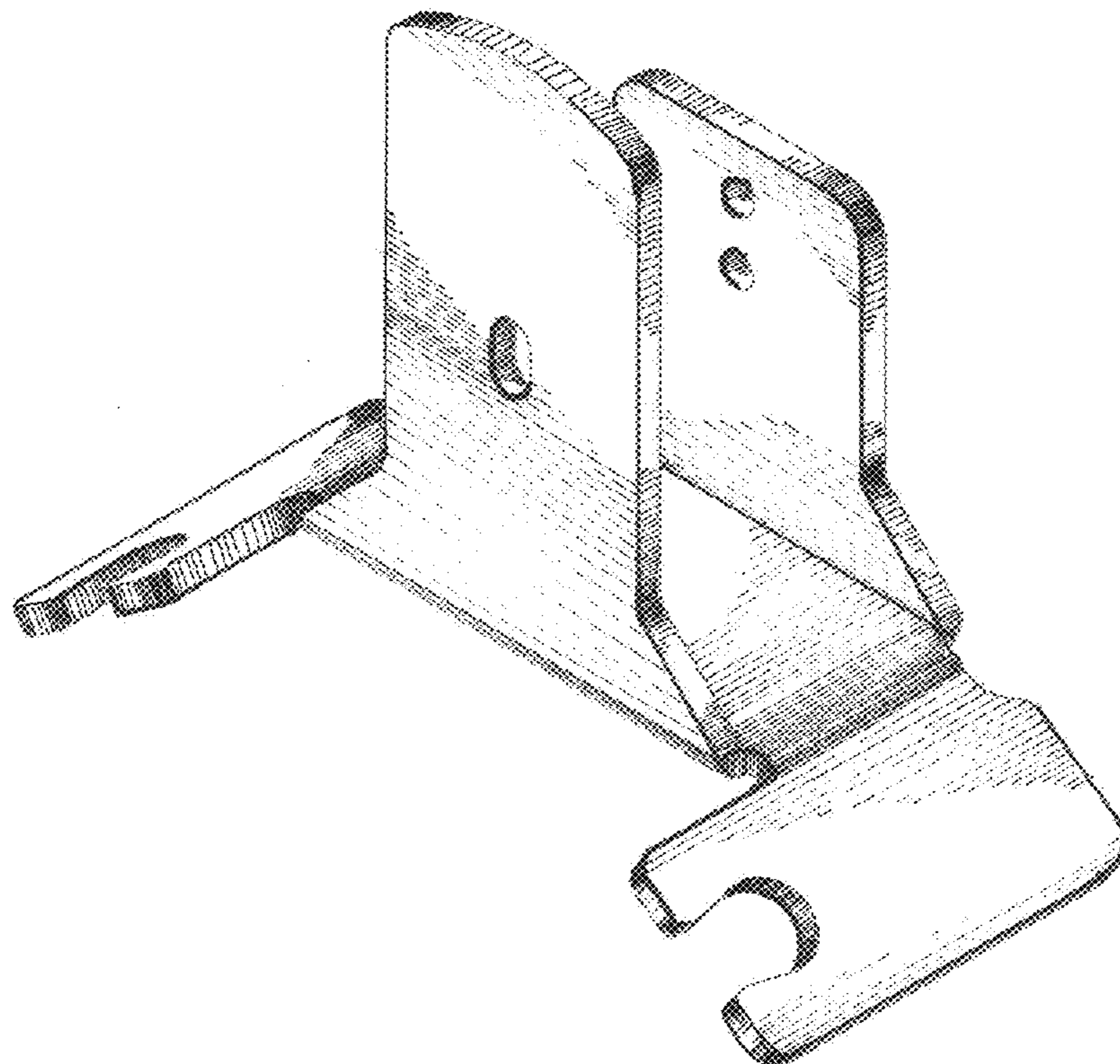
FIG. 3 is a left side view thereof.

FIG. 4 is a front view thereof.

FIG. 5 is a rear view thereof; and,

FIG. 6 is a top view thereof.

**1 Claim, 6 Drawing Sheets**



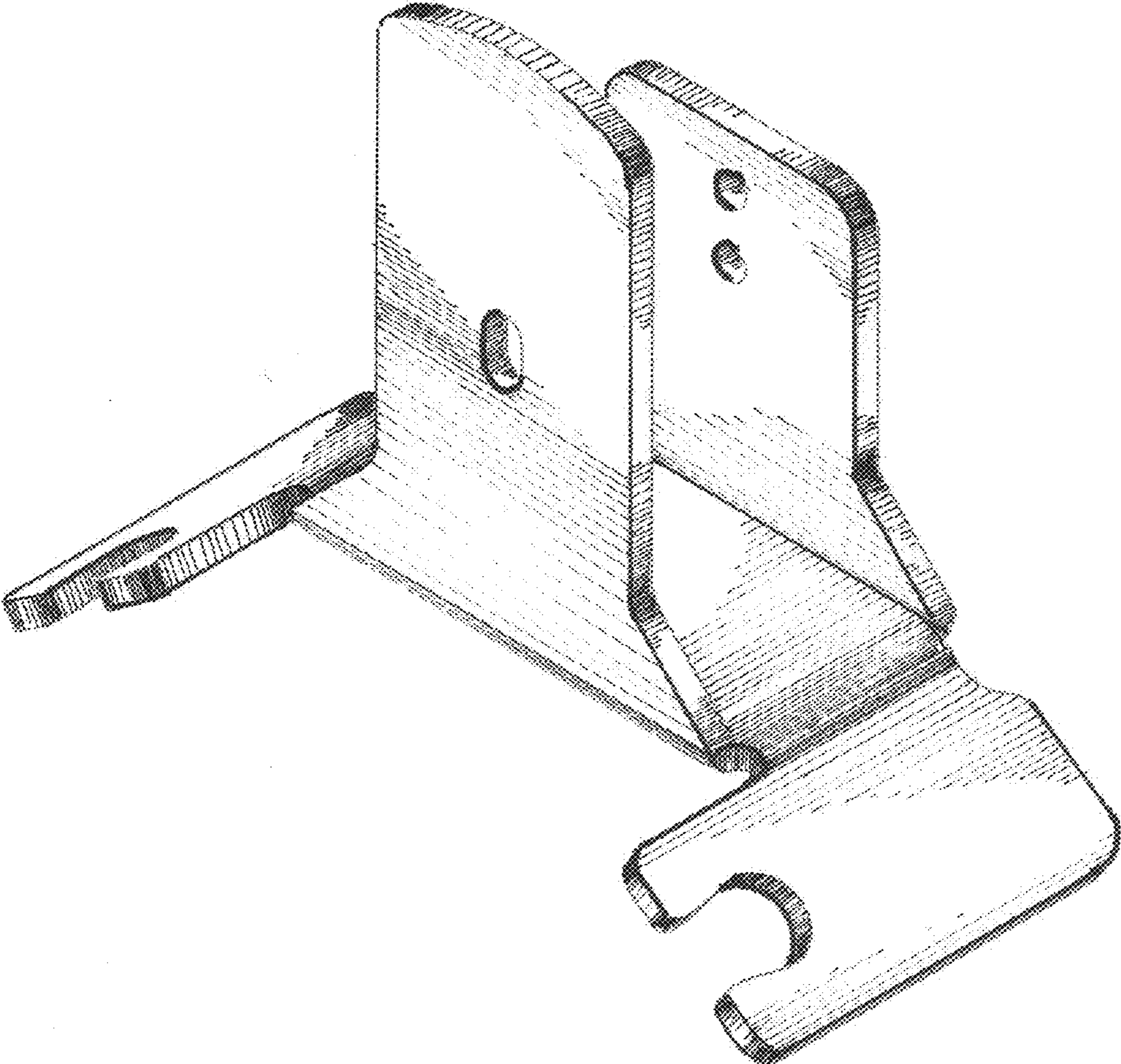


FIG. 1

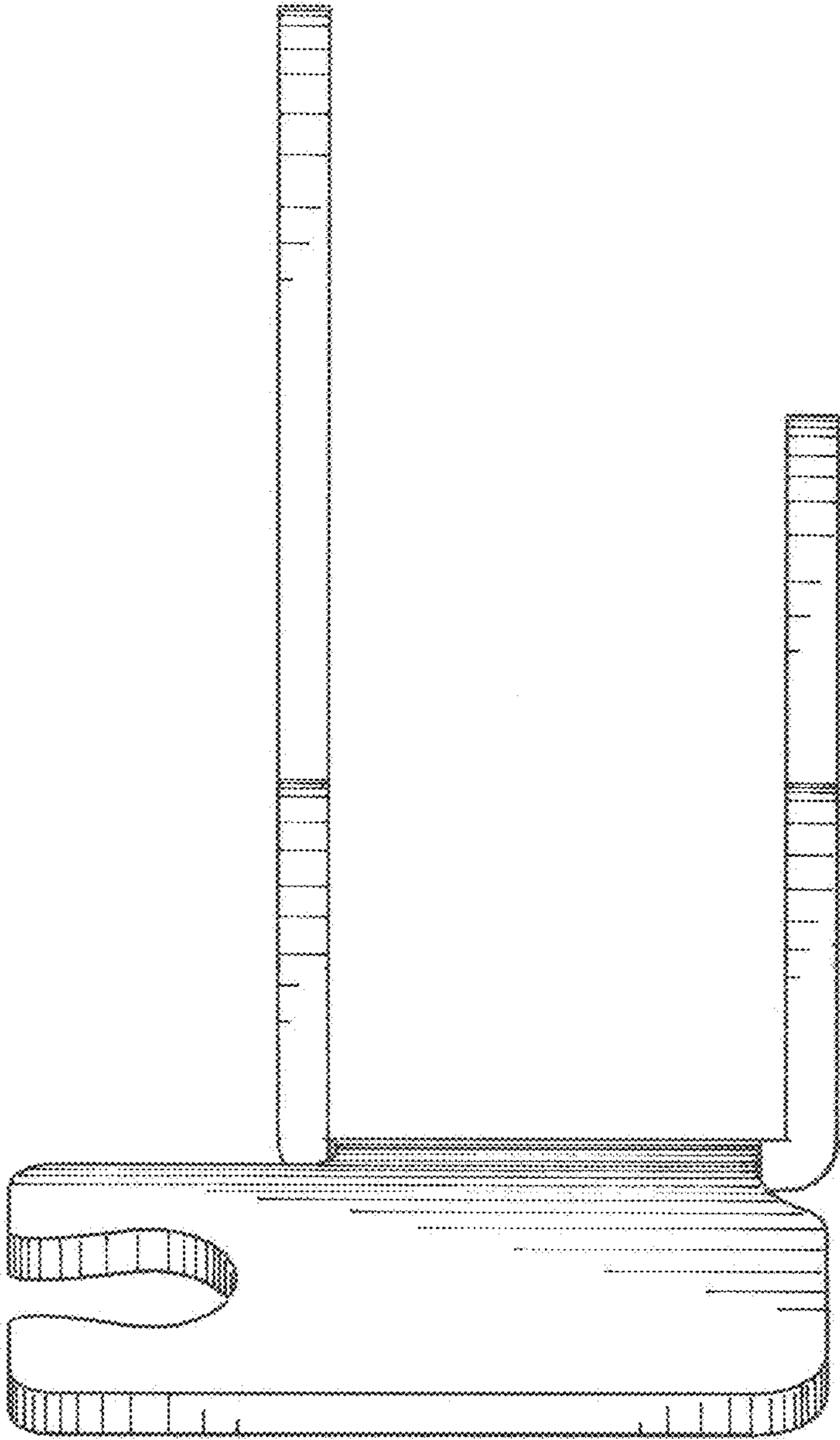


FIG 2



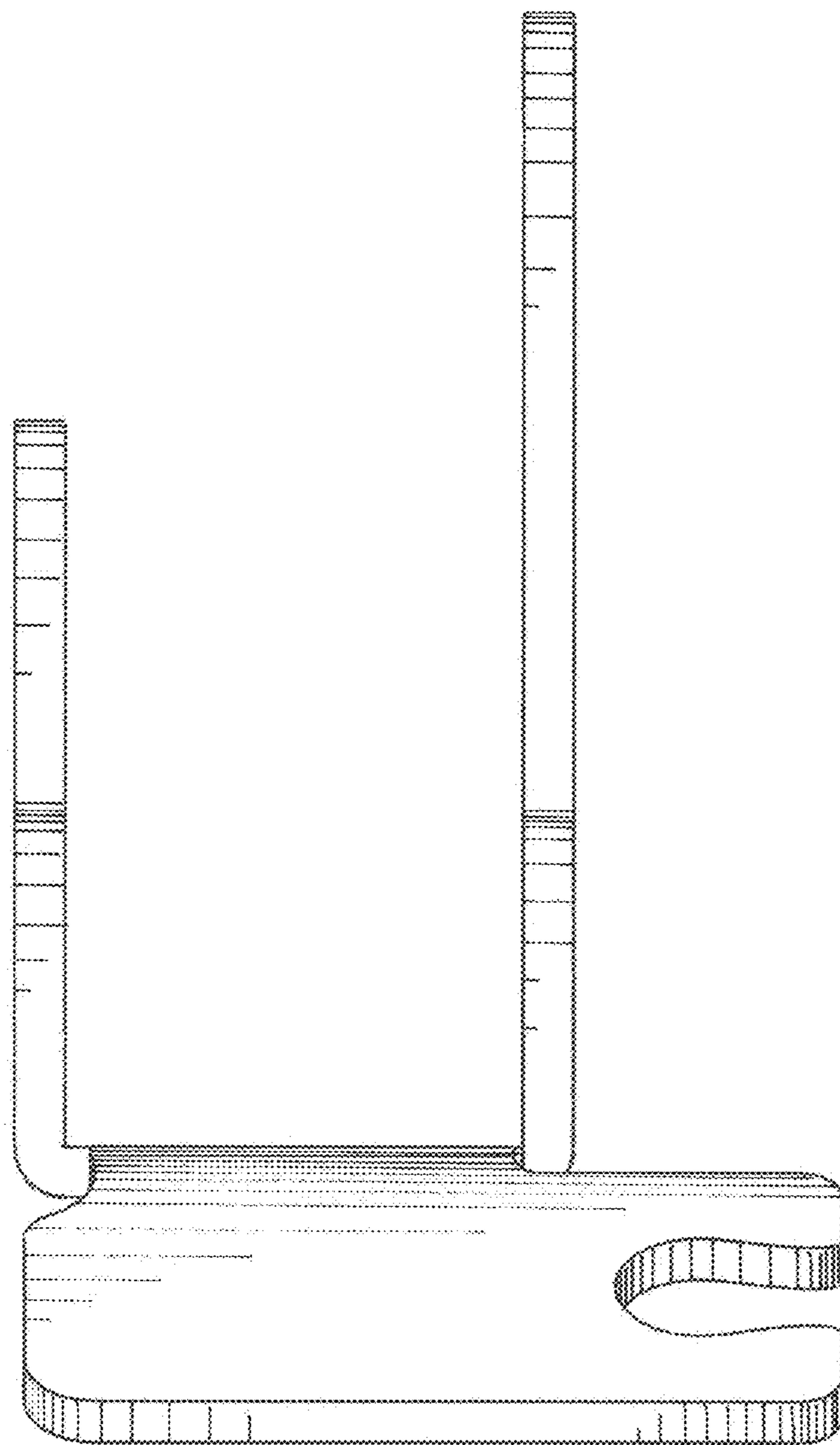


FIG. 3

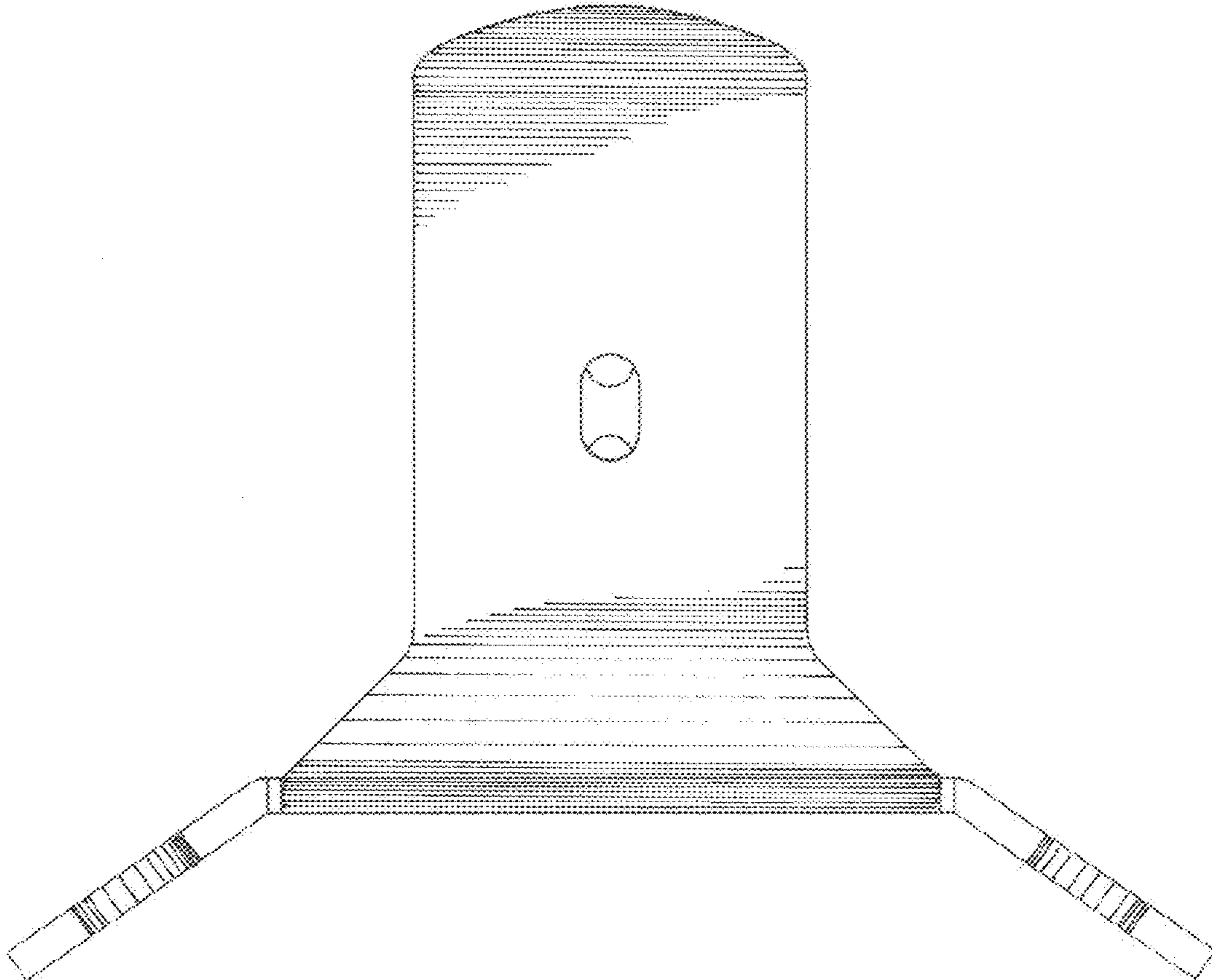


FIG. 4

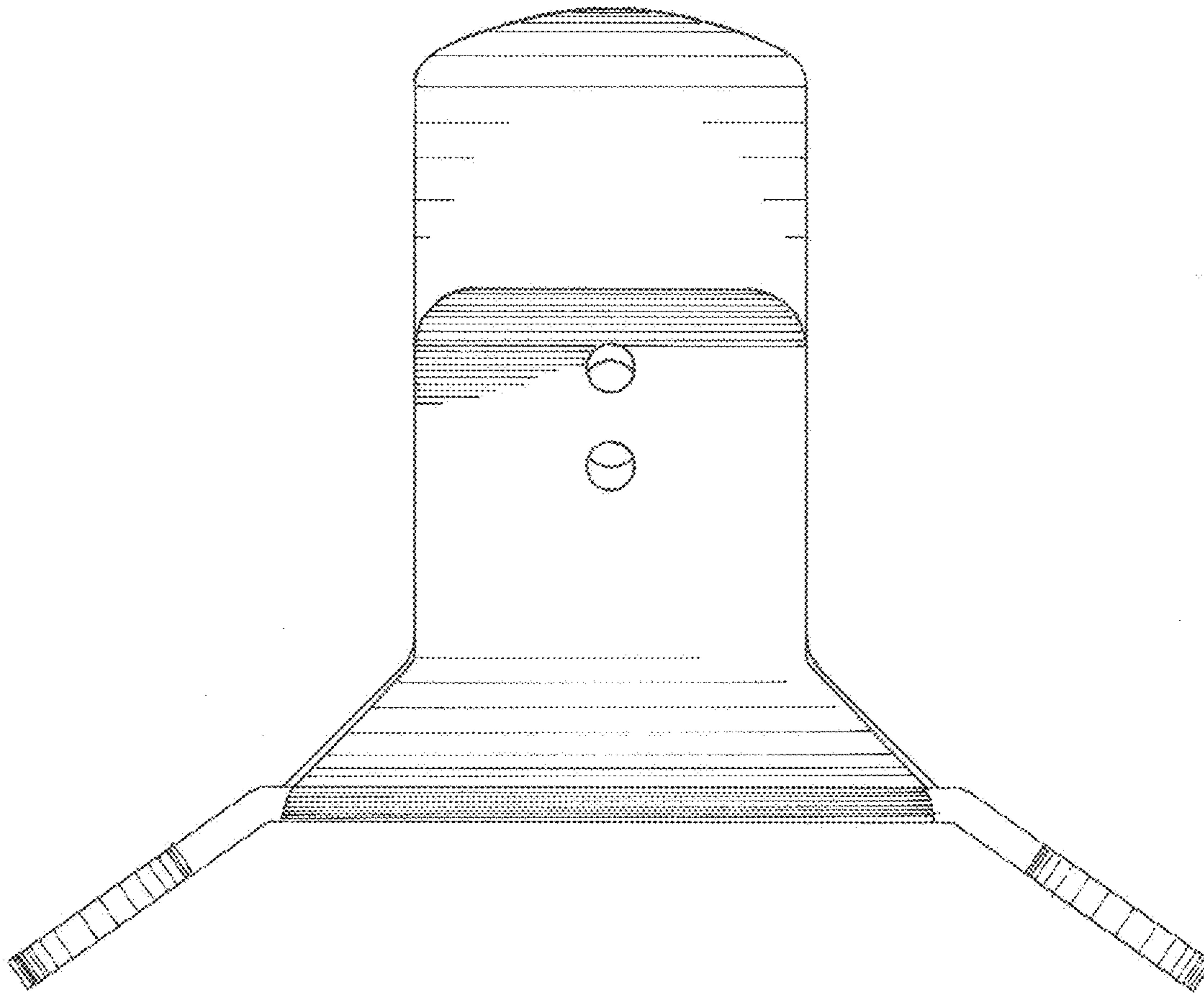


FIG. 5

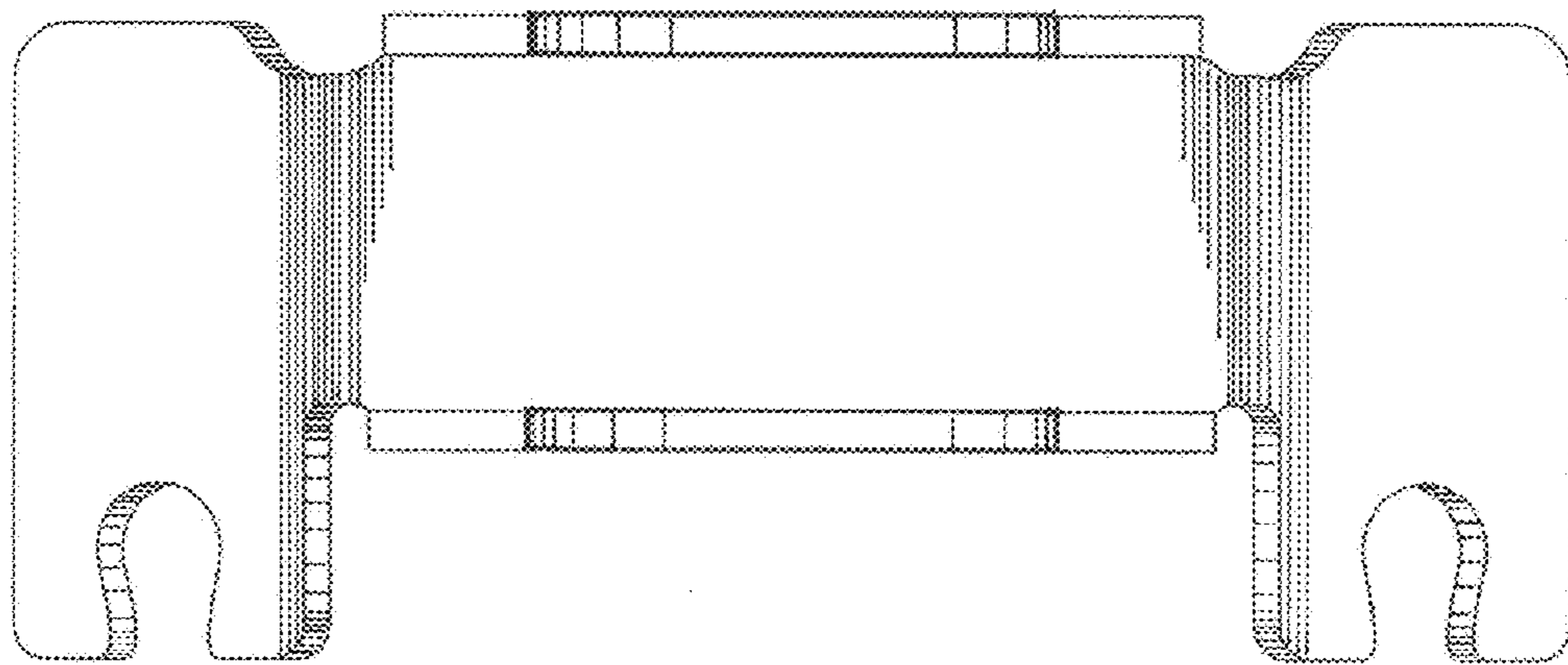


FIG. 6