

US00D763664S

(12) **United States Design Patent**  
**Suiter**

(10) **Patent No.:** **US D763,664 S**

(45) **Date of Patent:** **\*\* Aug. 16, 2016**

(54) **CABLE TOOL**

(71) Applicant: **Robert Ray Suiter**, Hayward, CA (US)

(72) Inventor: **Robert Ray Suiter**, Hayward, CA (US)

(\*\*) Term: **14 Years**

(21) Appl. No.: **29/520,144**

(22) Filed: **Mar. 11, 2015**

(51) **LOC (10) Cl.** ..... **08-05**

(52) **U.S. Cl.**  
USPC ..... **D8/356**

(58) **Field of Classification Search**  
USPC ..... D8/356, 354, 349; D13/155  
CPC ..... F16G 1/00; F16G 11/00  
See application file for complete search history.

D472,843 S *	4/2003	Marquez-Pickering	.....	D11/81
D508,842 S *	8/2005	Paolini	.....	D8/395
7,073,541 B2	7/2006	Pappas		
D527,245 S *	8/2006	Kelleghan	.....	D8/356
D534,416 S *	1/2007	Kelleghan	.....	D8/356
D597,403 S *	8/2009	Ho	.....	D8/356
D706,604 S *	6/2014	Chen	.....	D8/72
D733,009 S *	6/2015	Woods	.....	D12/123

\* cited by examiner

*Primary Examiner* — Cynthia Underwood

(74) *Attorney, Agent, or Firm* — Dunlap Bennett & Ludwig PLLC

(57) **CLAIM**

The ornamental design for a cable tool, as shown and described.

(56) **References Cited**

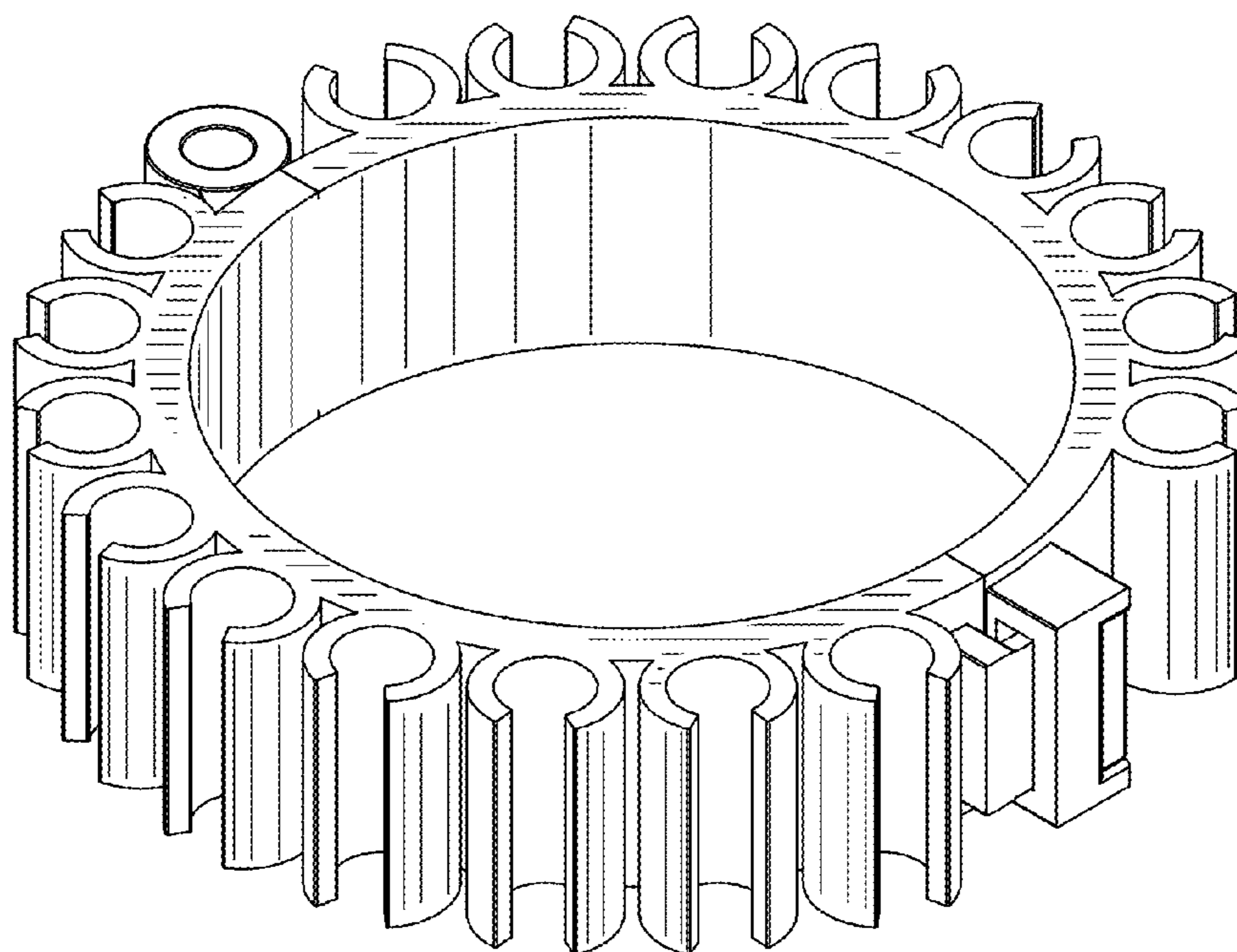
U.S. PATENT DOCUMENTS

4,715,571 A *	12/1987	Soltow	.....	F16L 3/22
				174/146
4,804,020 A *	2/1989	Bartholomew	.....	B29C 65/58
				138/111
D308,011 S *	5/1990	Norris	.....	D27/138
5,027,478 A *	7/1991	Suhr	.....	B65H 75/36
				137/355.16
5,703,330 A	12/1997	Kujawski		
D395,815 S *	7/1998	Walters	.....	D8/354

**DESCRIPTION**

FIG. 1 is a top front perspective view of a cable tool;  
FIG. 2 is a front elevation view thereof;  
FIG. 3 is a rear elevation view thereof;  
FIG. 4 is a left side elevation view thereof;  
FIG. 5 is a right side elevation view thereof; and,  
FIG. 6 is a top elevation view thereof; bottom elevation view  
a mirror thereof.

**1 Claim, 3 Drawing Sheets**



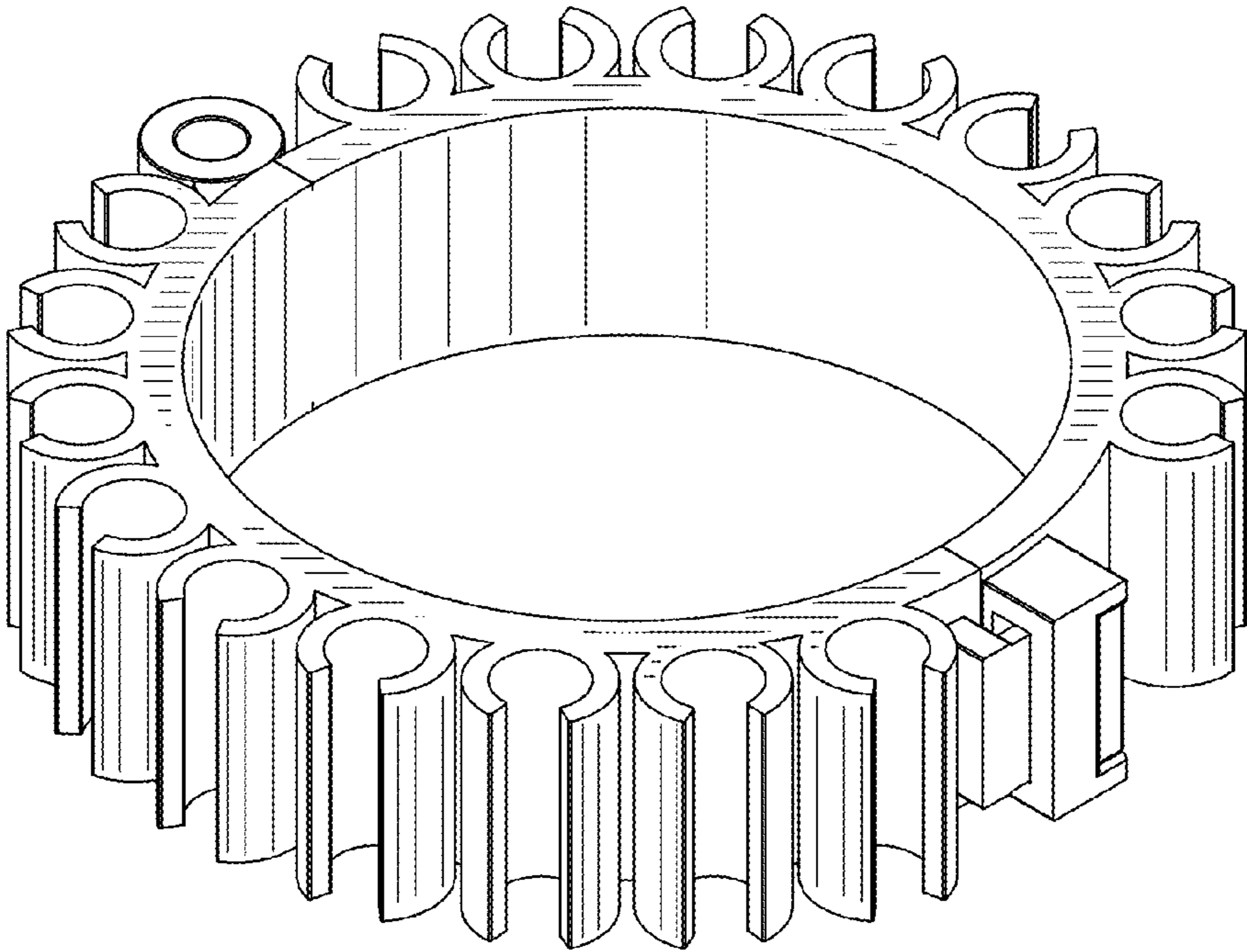


FIG. 1

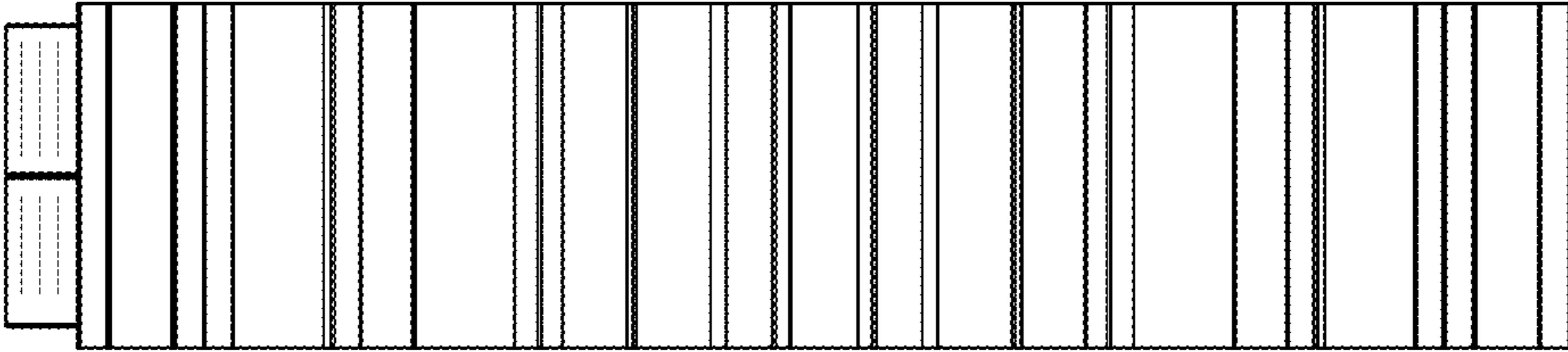


FIG. 2

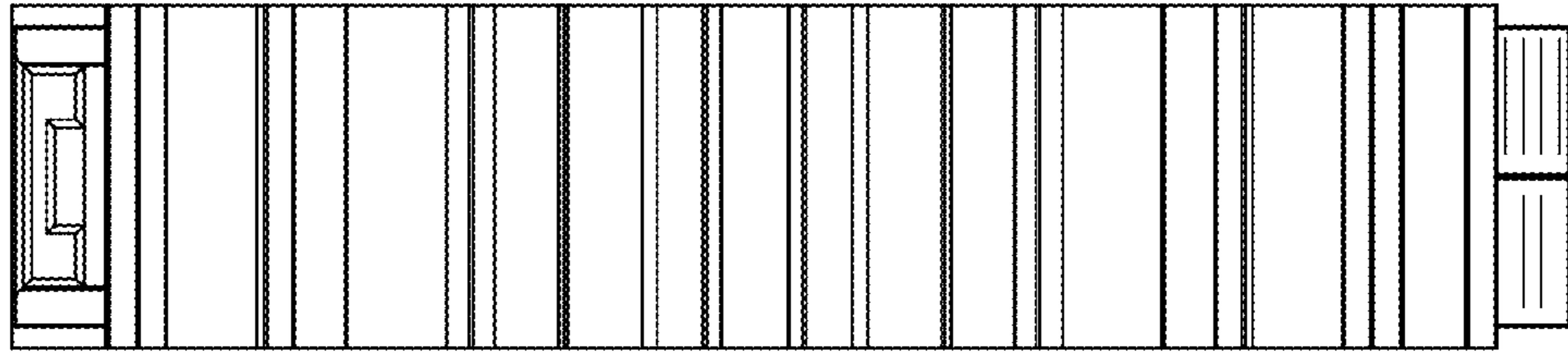


FIG. 3

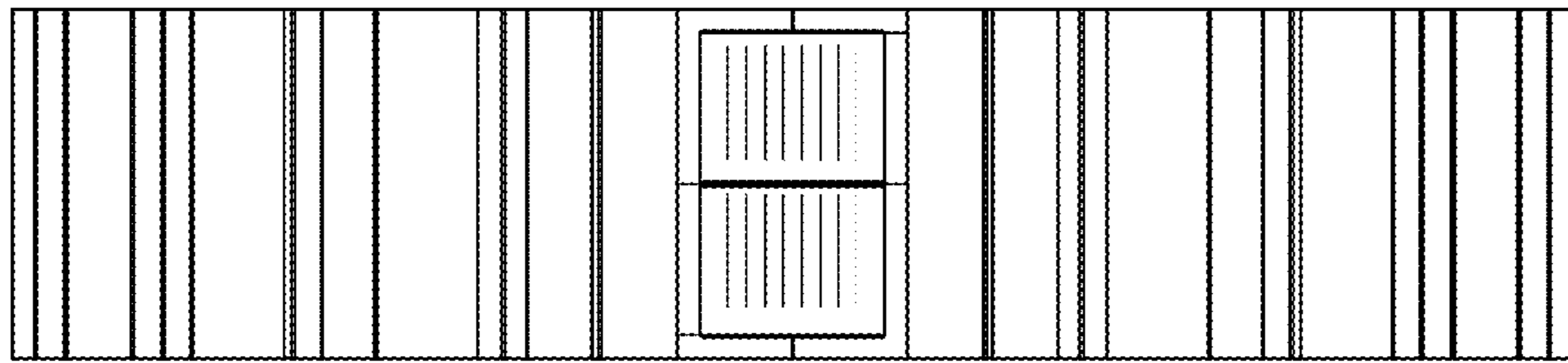


FIG. 4

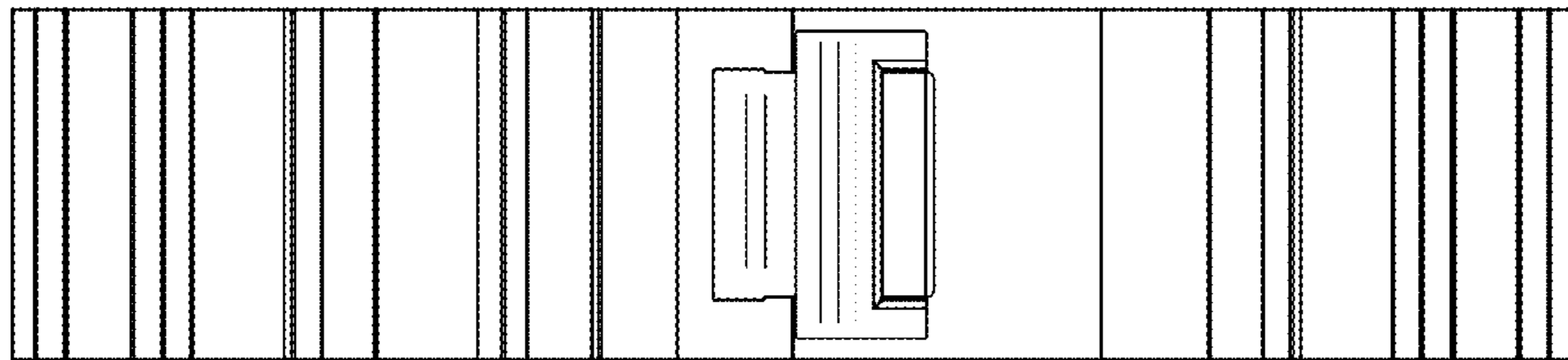


FIG. 5

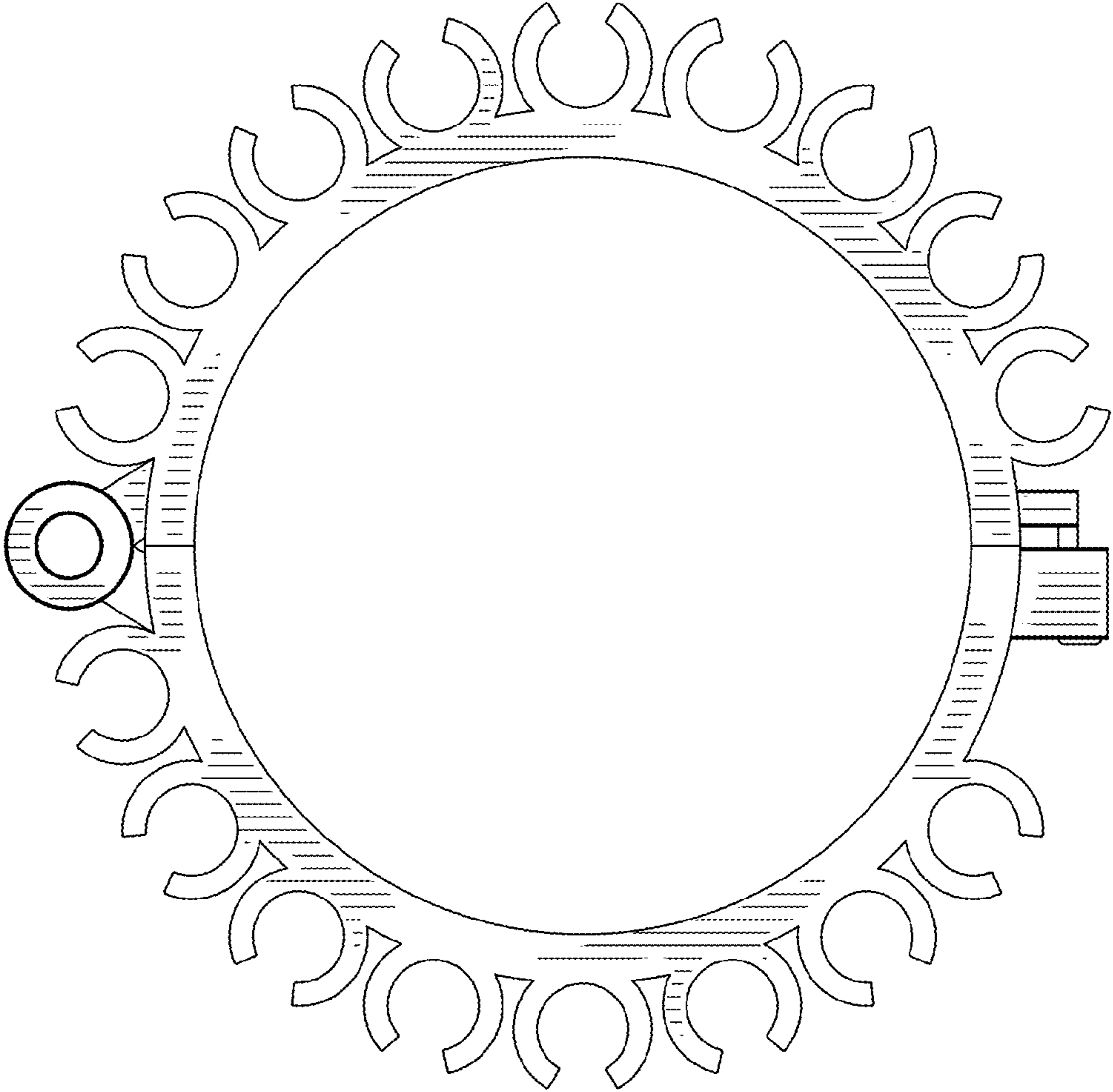


FIG. 6