

US00D763663S

(12) **United States Design Patent**
Deleu

(10) **Patent No.:** **US D763,663 S**

(45) **Date of Patent:** **** Aug. 16, 2016**

(54) **FRAME CONNECTOR**

(71) Applicant: **ALUVISION, N.V.**, Deinze (BE)

(72) Inventor: **Dirk Deleu**, Deinze (BE)

(73) Assignee: **Aluvision, N.V.**, Deinze (BE)

(**) Term: **15 Years**

(21) Appl. No.: **29/526,720**

(22) Filed: **May 13, 2015**

(30) **Foreign Application Priority Data**

Feb. 25, 2015 (WO) 875292801

(51) **LOC (10) Cl.** **08-08**

(52) **U.S. Cl.**
USPC **D8/349**

(58) **Field of Classification Search**
USPC D8/349, 354, 366, 371, 374, 382, 384,
D8/387, 394, 397, 399; D25/61; 403/185,
403/169, 170, 231, 402
CPC . E04B 1/2604; E04B 2001/2644; F16B 7/18;
F16B 37/145; Y10T 403/4602; Y10T
403/4674; Y10T 403/3906

See application file for complete search history.

(56) **References Cited**

U.S. PATENT DOCUMENTS

- 2,174,180 A * 9/1939 Rand A47F 3/12
217/65
- 4,012,153 A * 3/1977 Pidgeon F16B 7/185
403/170
- 4,126,364 A * 11/1978 Reilly F16B 12/50
312/140
- D255,647 S * 7/1980 Ismert, III D8/387
- D292,990 S * 12/1987 Eliasson D19/32
- D294,676 S * 3/1988 Egner D8/382
- 4,780,018 A * 10/1988 Godden E04B 1/1906
403/173
- D304,293 S * 10/1989 McCarthy D8/349
- 4,974,352 A * 12/1990 Shwu-Jen A47G 1/10
40/783

- D349,036 S * 7/1994 Egigian D12/223
- D356,729 S * 3/1995 Kassouni D8/387
- 5,407,310 A * 4/1995 Kassouni B29C 70/76
29/525.02
- D359,442 S * 6/1995 Johansson D6/300
- D359,444 S * 6/1995 Johansson D6/300
- D361,136 S * 8/1995 Parkinson D25/61
- D382,920 S * 8/1997 Munir D21/486
- 6,027,372 A * 2/2000 Lai H01R 12/7047
411/182
- 7,213,328 B2 * 5/2007 Maruyama H01R 43/0256
29/760
- D545,304 S * 6/2007 Sergi D14/238
- D566,526 S * 4/2008 Robbins, III D8/354
- D609,999 S * 2/2010 Andersson D9/399
- D631,336 S * 1/2011 Toumei D8/397
- D670,996 S * 11/2012 Rogers D8/349
- 8,475,499 B2 * 7/2013 Cournoyer A61B 17/7014
606/260
- 8,707,653 B2 * 4/2014 Calleja E04B 1/24
29/525.11

(Continued)

Primary Examiner — Mark Goodwin

(74) *Attorney, Agent, or Firm* — Kirschstein, Israel,
Schiffmiller & Pieroni, P.C.

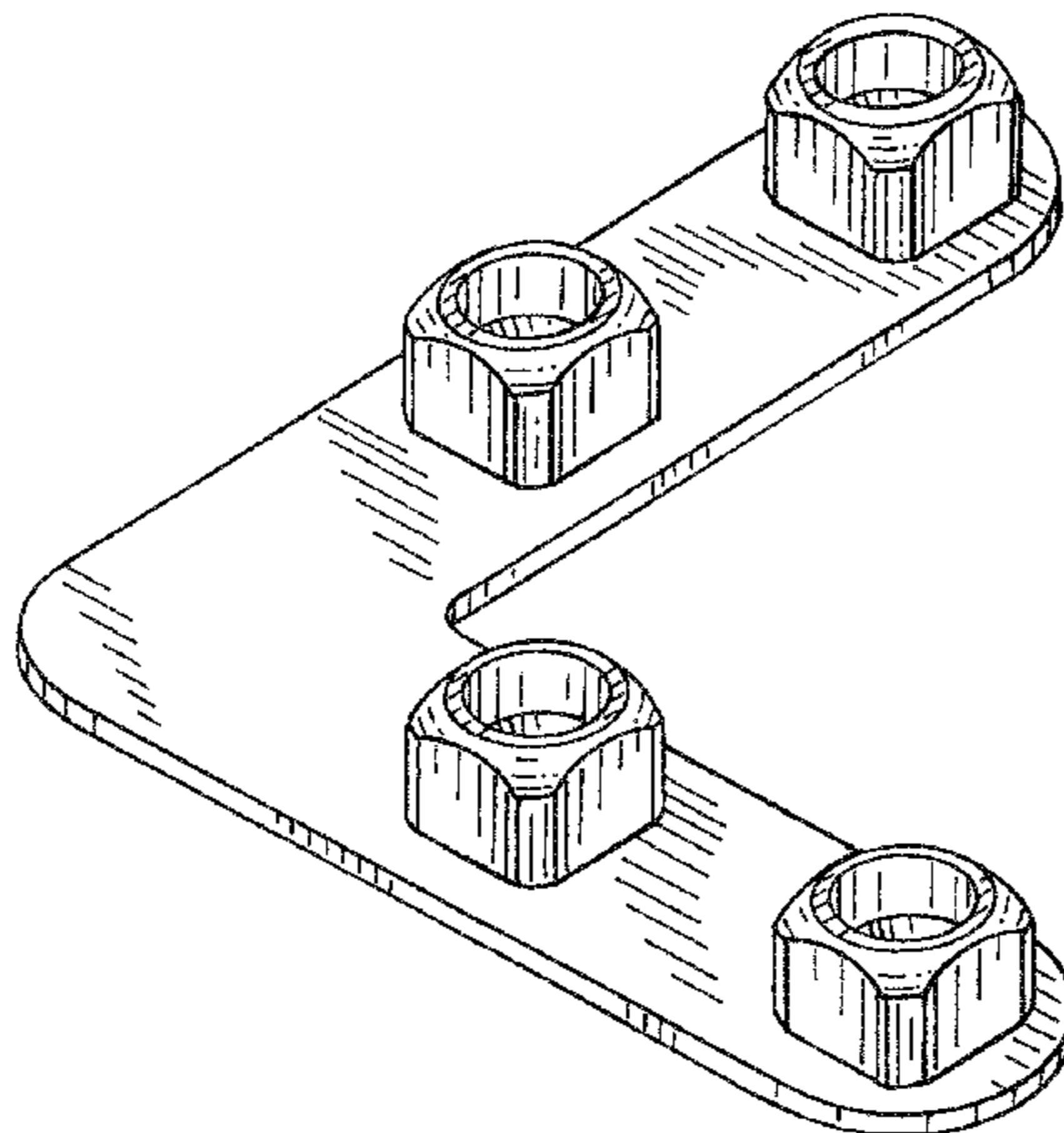
(57) **CLAIM**

The ornamental design for a frame connector, as shown and described.

DESCRIPTION

FIG. 1 is a perspective view of a frame connector, as seen from above, according to my new design.
 FIG. 2 is a top plan view thereof.
 FIG. 3 is a front elevational view thereof.
 FIG. 4 is a right side elevational view thereof.
 FIG. 5 is a left side elevational view thereof.
 FIG. 6 is a bottom plan view thereof.
 FIG. 7 is a sectional view taken on line 7-7 of FIG. 2, as seen in the direction of the arrows; and,
 FIG. 8 is a perspective view thereof, as seen from below, in its use of connecting frames as shown in dashed lines.
 The dashed lines are for environmental purposes and form no part of the claimed design.

1 Claim, 4 Drawing Sheets



(56)

References Cited

U.S. PATENT DOCUMENTS

8,961,060	B2 *	2/2015	Oetlinger	F16B 7/18	403/231
D729,042	S *	5/2015	Guzzoni	D8/349	
D730,156	S *	5/2015	Johnson	D8/349	
D740,113	S *	10/2015	Olenick	D8/399	
2006/0189214	A1 *	8/2006	Maruyama	H01R 43/0256	439/676
2009/0190996	A1 *	7/2009	Clarke	E04B 1/2604	403/188
2013/0028658	A1 *	1/2013	Yee	F16B 7/0433	403/270
2014/0020328	A1 *	1/2014	Yee	F16B 7/0433	52/745.21
2014/0239679	A1 *	8/2014	Griggs, Jr.	A47C 1/02	297/183.1
2014/0245674	A1 *	9/2014	Harrison	E04B 1/26	52/204.2
2014/0250822	A1 *	9/2014	Oetlinger	F16B 7/18	52/656.9
2015/0211560	A1 *	7/2015	Rixen	F16B 7/187	403/188

* cited by examiner

FIG. 1

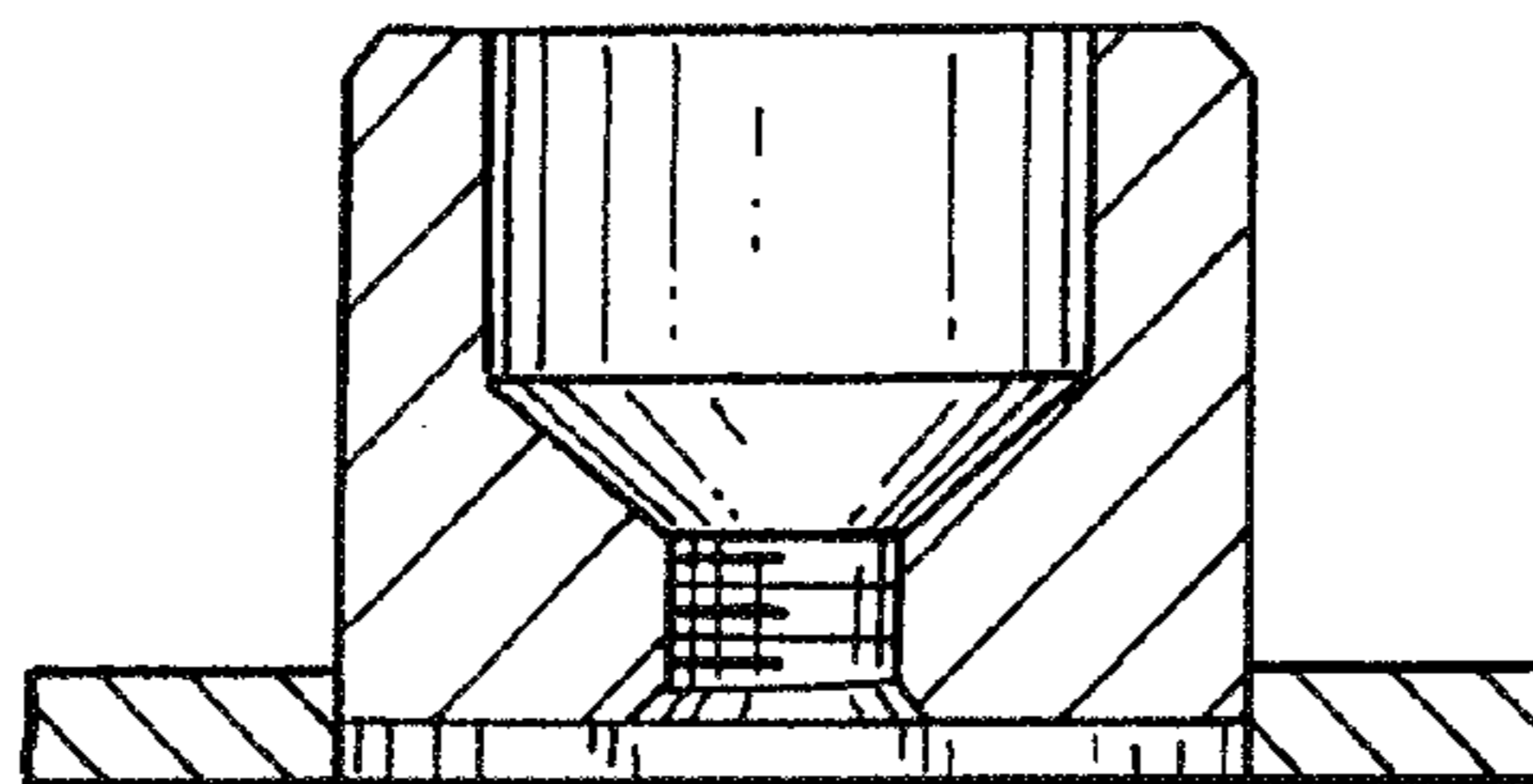
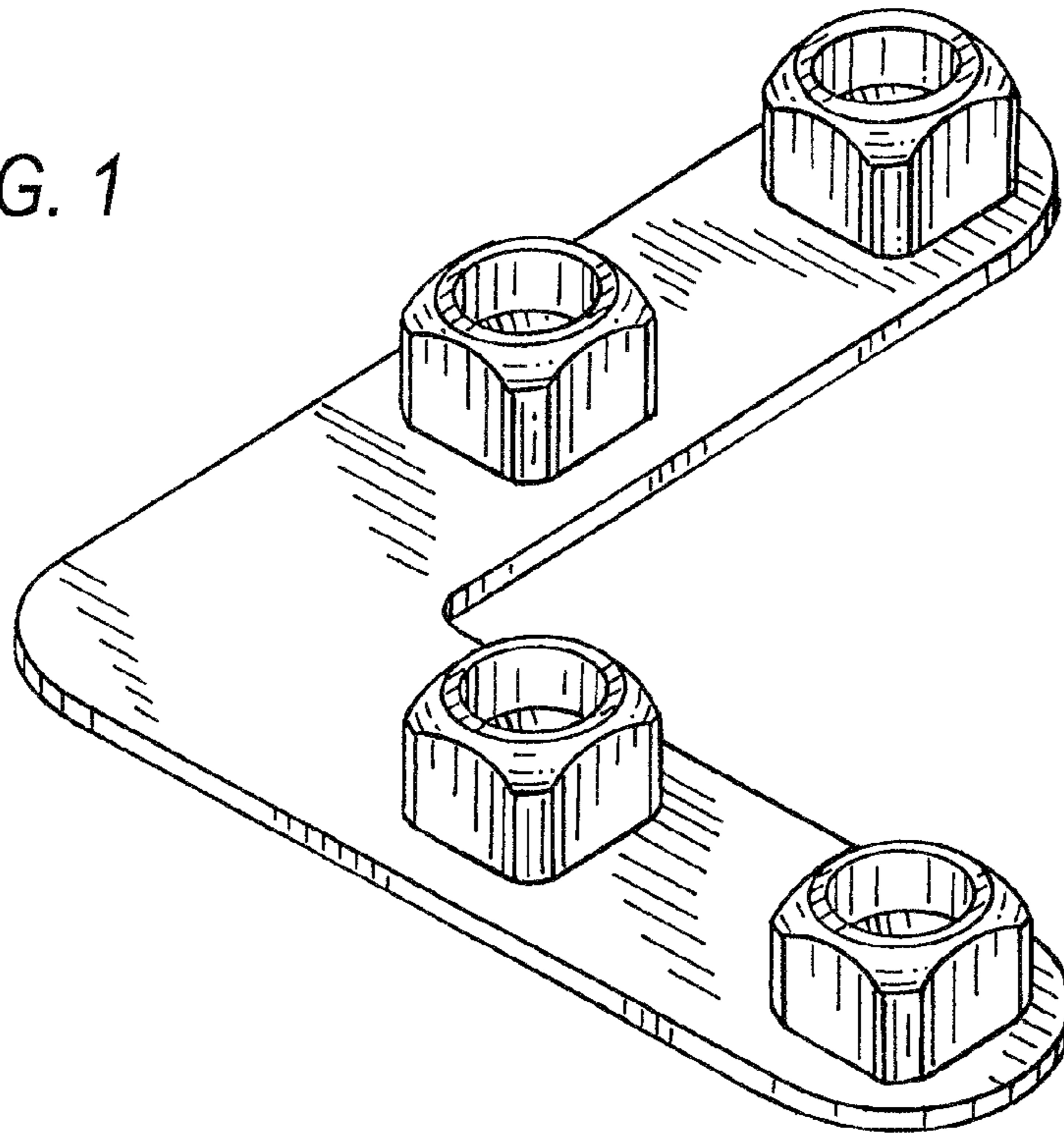


FIG. 7

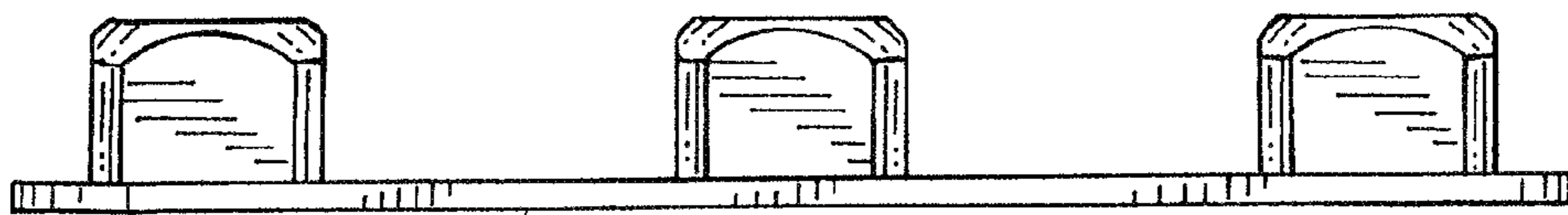
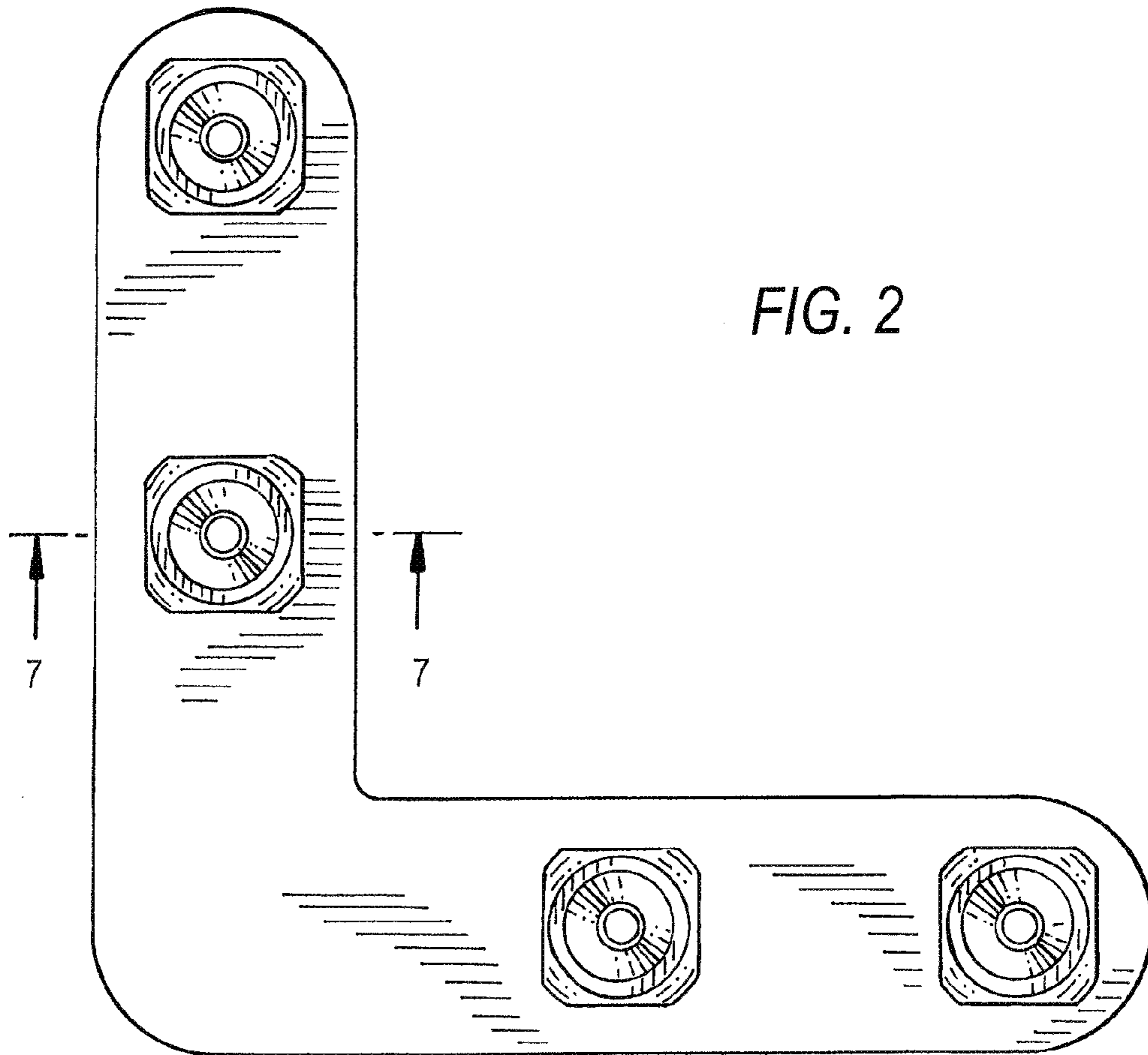


FIG. 3

FIG. 4

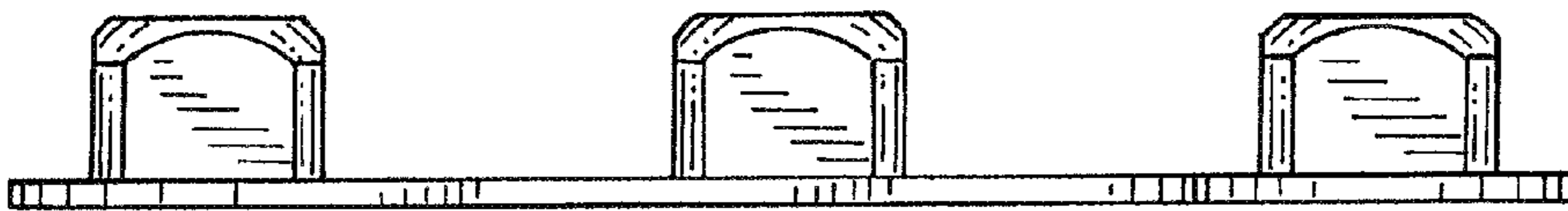
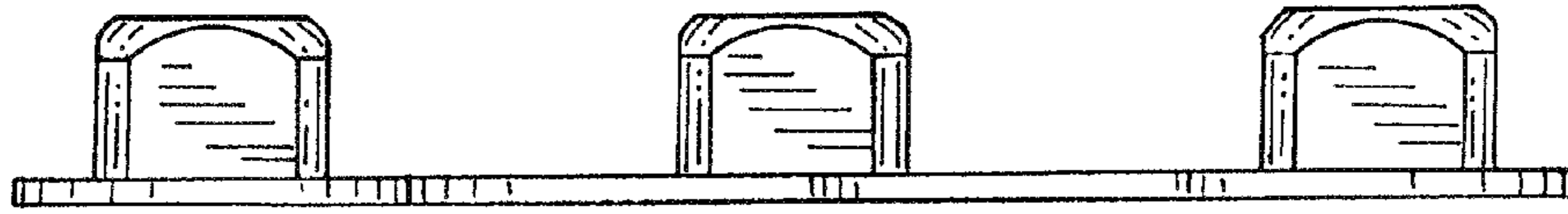


FIG. 5

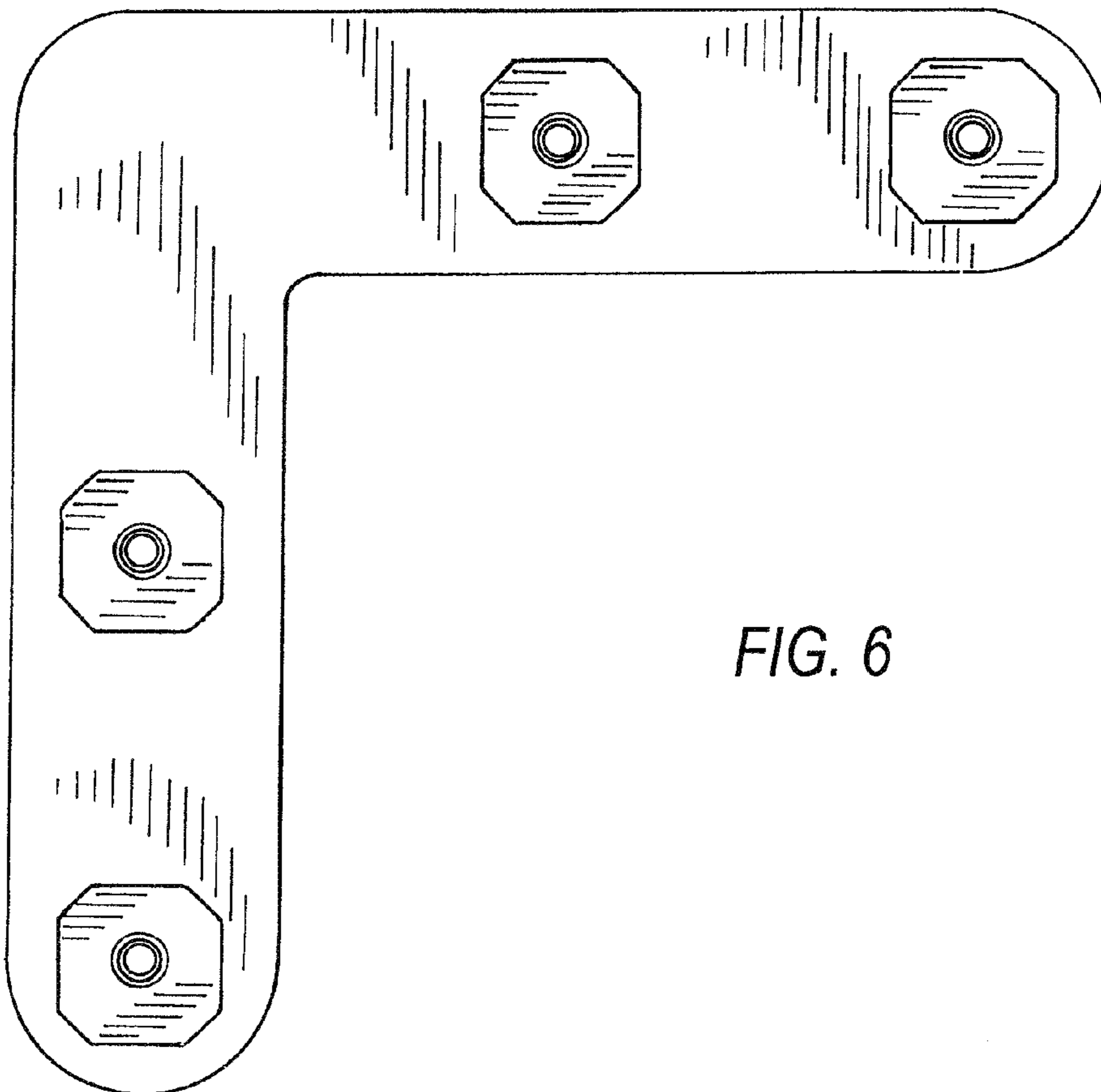


FIG. 6

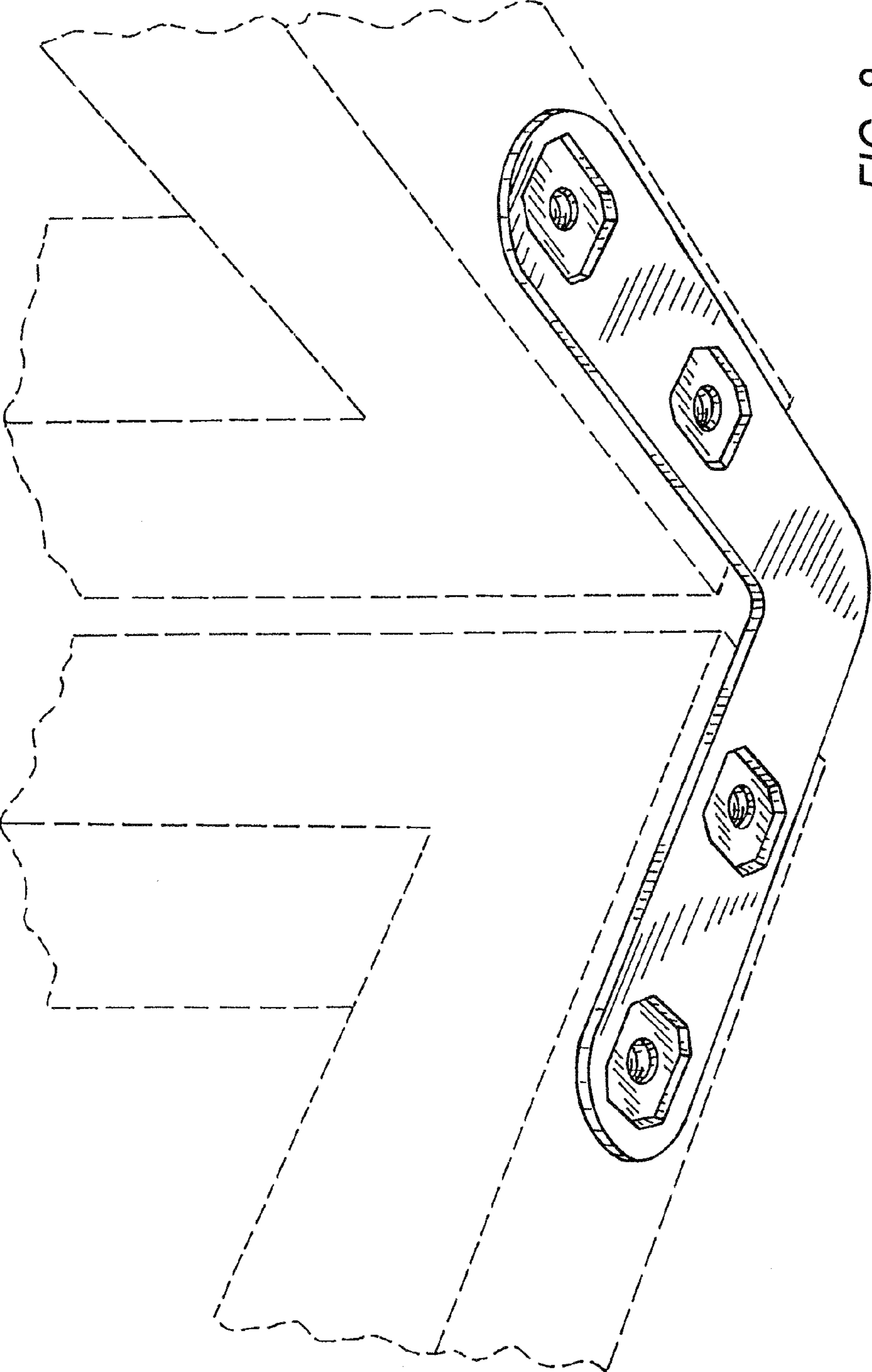


FIG. 8