

US00D763662S

(12) **United States Design Patent**  
**Ezell**

(10) **Patent No.:** **US D763,662 S**

(45) **Date of Patent:** **\*\* Aug. 16, 2016**

- (54) **WALL STUD INSERT SHIELD**
- (71) Applicant: **Timothy Jarome Ezell**, Climax, GA (US)
- (72) Inventor: **Timothy Jarome Ezell**, Climax, GA (US)
- (\*\*) Term: **14 Years**
- (21) Appl. No.: **29/523,145**
- (22) Filed: **Apr. 7, 2015**
- (51) **LOC (10) Cl.** ..... **08-08**
- (52) **U.S. Cl.**  
USPC ..... **D8/349**
- (58) **Field of Classification Search**  
USPC ..... D8/349, 354, 356; D13/155, 156;  
52/220.8, 220.1, 834; 174/505, 507  
CPC . E04B 2/7457; E04B 2002/7488; E04C 2/52;  
H02G 3/0481; H02G 3/22; H02G 3/26;  
E04G 21/30; E04G 21/24; Y10T 16/05  
See application file for complete search history.

- 5,595,453 A \* 1/1997 Nattel ..... E04C 3/32  
174/136
- 6,779,232 B2 \* 8/2004 Cerul ..... E04B 2/80  
16/2.1
- 8,069,623 B2 \* 12/2011 Colwell ..... H02G 3/22  
285/192
- 8,191,323 B2 6/2012 Turner
- 8,438,803 B2 \* 5/2013 Turner ..... E04B 2/7457  
52/220.8
- D740,233 S \* 10/2015 Johnson ..... D13/156
- 2003/0126824 A1 \* 7/2003 Jensen ..... H02G 3/30  
52/715
- 2003/0159242 A1 \* 8/2003 Cerul ..... E04B 2/80  
16/2.1
- 2013/0247487 A1 \* 9/2013 Turner ..... E04B 2/7457  
52/220.8

\* cited by examiner

*Primary Examiner* — Mark Goodwin

(74) *Attorney, Agent, or Firm* — Brian D. Bellamy

(57) **CLAIM**

The ornamental design for a wall stud insert shield, as shown and described.

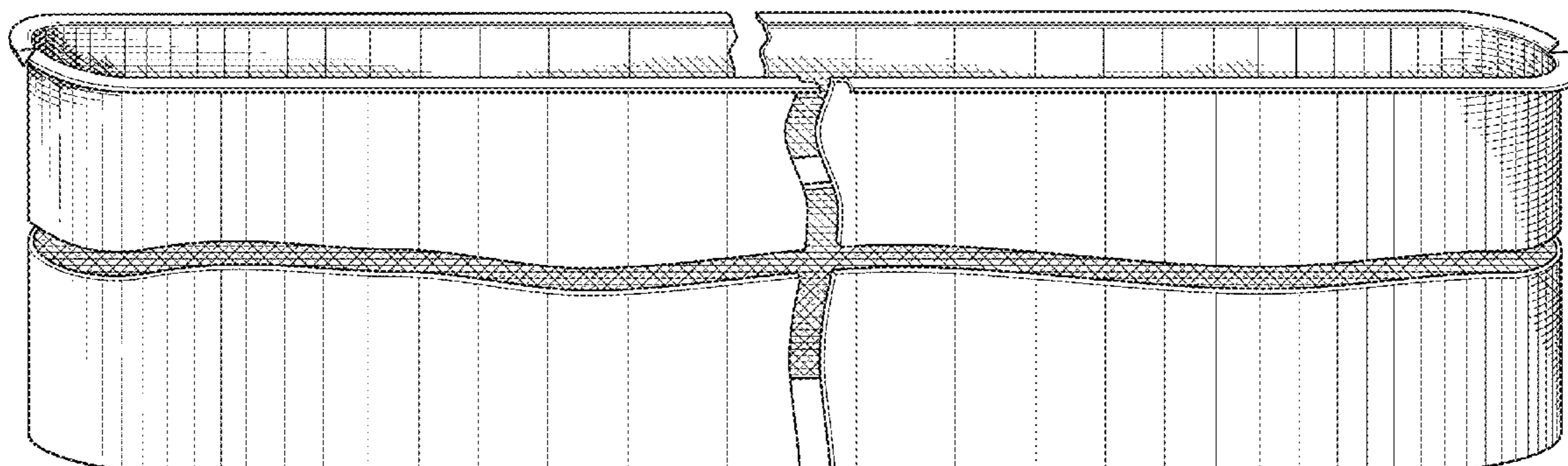
**DESCRIPTION**

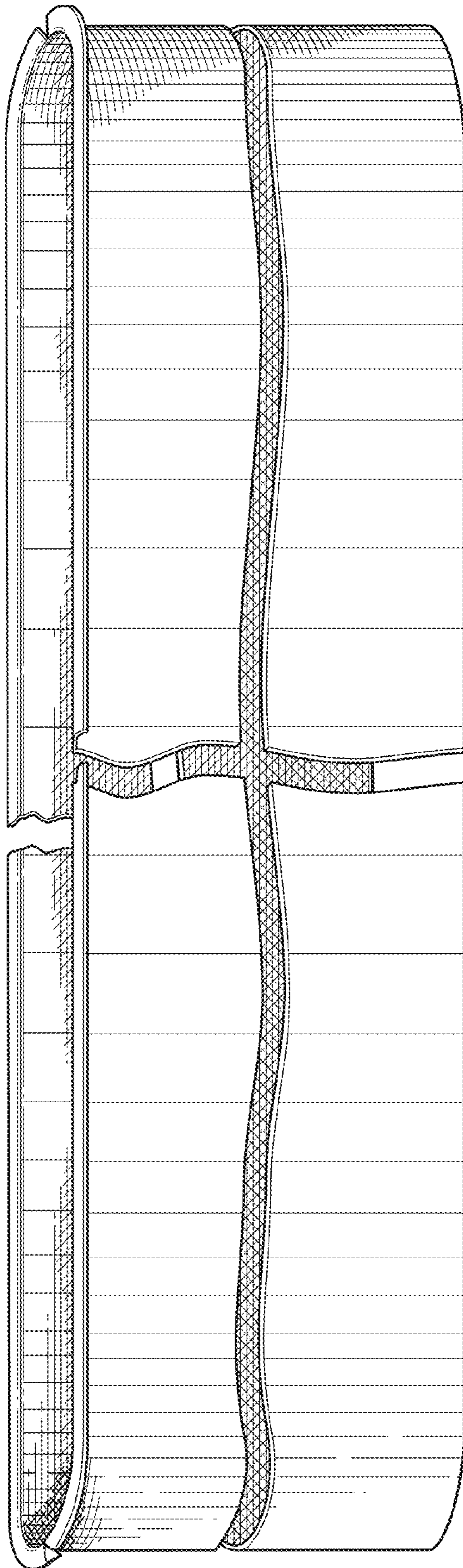
FIG. 1 is a side, front and top perspective view of a wall stud insert shield, showing an embodiment of my new design;  
 FIG. 2 is a front elevation view thereof, whereas the rear is an identical mirror image;  
 FIG. 3 is a right side elevation view thereof, whereas the left side is an identical mirror image;  
 FIG. 4 is a top elevation view thereof; and,  
 FIG. 5 is a bottom elevation view thereof.  
 The figures are shown broken apart to represent indeterminate length.

**1 Claim, 3 Drawing Sheets**

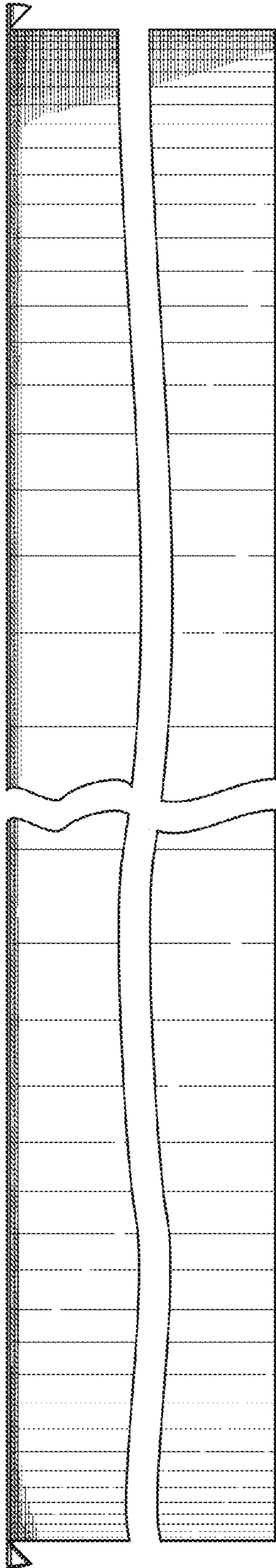
(56) **References Cited**  
U.S. PATENT DOCUMENTS

- 3,211,824 A 10/1965 Heiman
- 3,211,825 A 10/1965 Clos
- 3,297,815 A 1/1967 Drettman
- 3,350,501 A 10/1967 Jureit
- 3,689,681 A \* 9/1972 Searer et al. .... H02G 3/26  
174/135
- D231,769 S \* 6/1974 Searer et al. .... 174/135
- 4,050,205 A 9/1977 Ligda
- 4,924,646 A \* 5/1990 Marquardt ..... H02G 3/22  
174/505
- 5,079,389 A \* 1/1992 Nelson ..... H02G 3/22  
16/2.1

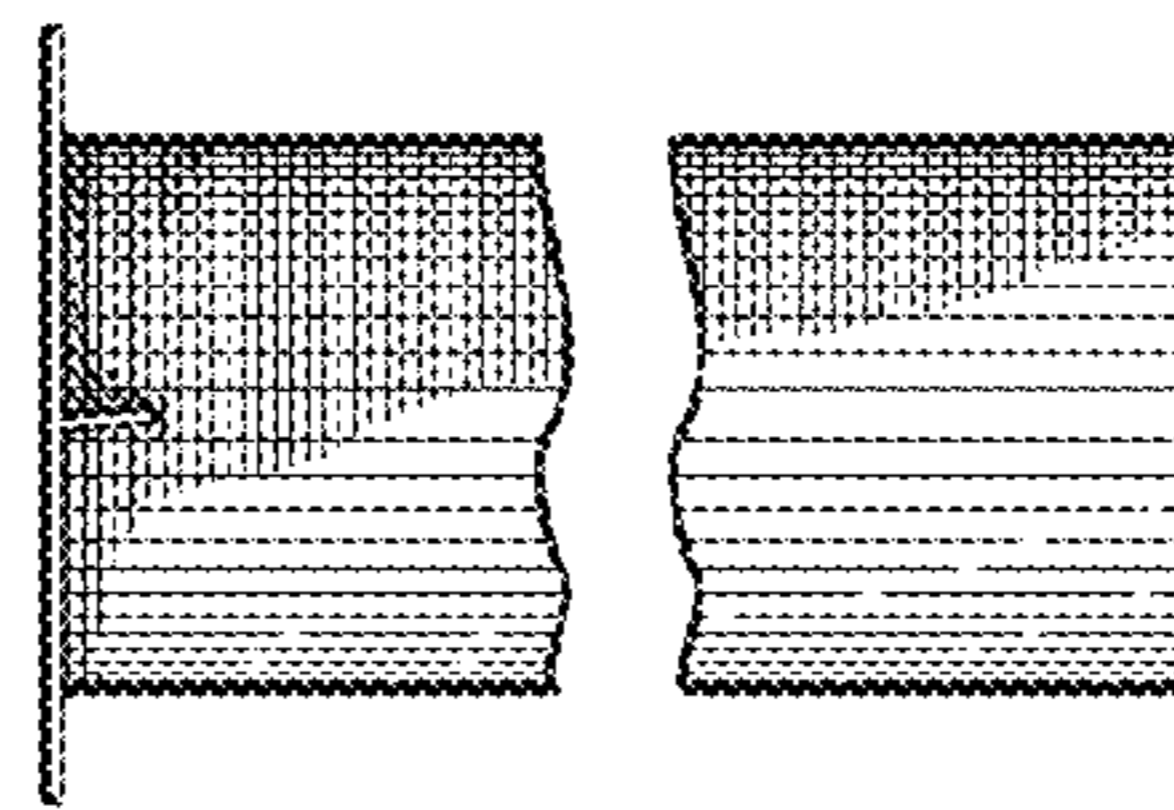




*Fig. 1*

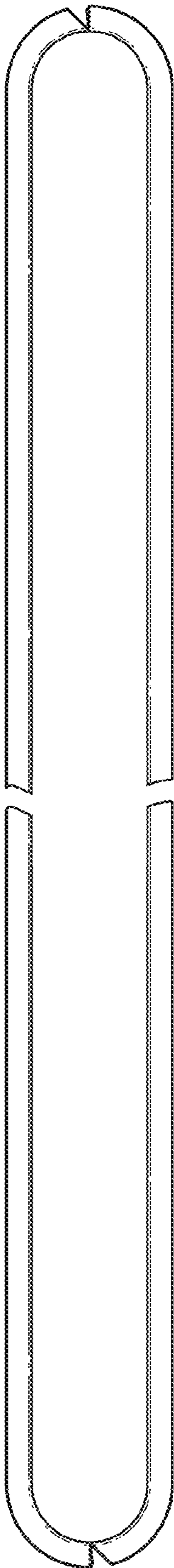


*Fig. 2*

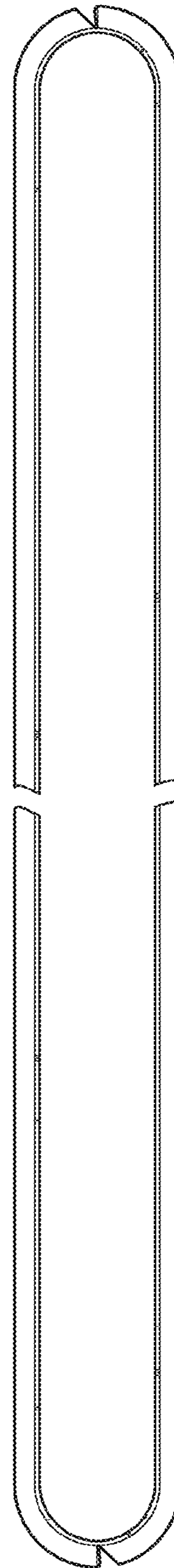


*Fig. 3*





*Fig. 4*



*Fig. 5*