



US00D763661S

(12) **United States Design Patent**
Ezell

(10) **Patent No.:** **US D763,661 S**
(45) **Date of Patent:** **** Aug. 16, 2016**

- (54) **WALL STUD INSERT SHIELD**
- (71) Applicant: **Timothy Jarome Ezell**, Climax, GA
(US)
- (72) Inventor: **Timothy Jarome Ezell**, Climax, GA
(US)
- (**) Term: **14 Years**
- (21) Appl. No.: **29/523,140**
- (22) Filed: **Apr. 7, 2015**
- (51) **LOC (10) Cl.** **08-08**
- (52) **U.S. Cl.**
USPC **D8/349**
- (58) **Field of Classification Search**
USPC D8/349, 354, 356; D13/155, 156;
52/220.8, 220.1, 834; 174/505, 507;
16/2.1
CPC E04B 2/7457; E04B 2/80; E04B 2/74;
E04B 2002/7488; E04C 2/52; H02G 3/0481;
H02G 3/22; H02G 3/26; E04G 21/30; E04G
21/24; Y10T 16/05; Y10T 16/063; F16L 5/00
See application file for complete search history.

- 5,118,057 A * 6/1992 Martin H02G 3/065
174/153 G
- 5,238,344 A * 8/1993 Nagayama F16B 37/048
411/113
- D375,250 S * 11/1996 Dollins D8/356
- 5,595,453 A * 1/1997 Nattel E04C 3/32
174/136
- 6,099,527 A * 8/2000 Hochschuler A61B 17/82
606/279
- 6,139,237 A * 10/2000 Nagayama F16B 37/048
411/176
- 6,779,232 B2 * 8/2004 Cerul E04B 2/80
16/2.1
- 6,901,628 B2 * 6/2005 Cerul E04B 2/80
16/2.1
- 8,069,623 B2 * 12/2011 Colwell H02G 3/22
285/192
- 8,191,323 B2 6/2012 Turner
- 8,438,803 B2 * 5/2013 Turner E04B 2/7457
52/220.8
- D740,233 S * 10/2015 Johnson D13/156
- 2003/0126824 A1 * 7/2003 Jensen H02G 3/30
52/715
- 2003/0159242 A1 * 8/2003 Cerul E04B 2/80
16/2.1
- 2004/0226131 A1 * 11/2004 Cervl E04B 2/80
16/2.1
- 2013/0247487 A1 * 9/2013 Turner E04B 2/7457
52/220.8

(56) **References Cited**

U.S. PATENT DOCUMENTS

- 568,687 A * 9/1896 Kempshall F16L 5/00
16/2.1
- 1,080,257 A * 12/1913 Bruchsaler H02G 3/083
174/153 G
- 2,901,800 A * 9/1959 Koehl F16B 19/10
16/2.1
- 3,211,824 A 10/1965 Heiman
- 3,211,825 A 10/1965 Clos
- 3,297,815 A 1/1967 Drettman
- 3,350,501 A 10/1967 Jureit
- 3,689,681 A * 9/1972 Searer et al. H02G 3/26
174/135
- D231,769 S * 6/1974 Searer et al. 174/135
- 4,050,205 A 9/1977 Ligda
- 4,924,646 A * 5/1990 Marquardt H02G 3/22
174/505
- 4,930,733 A * 6/1990 Logsdon F16L 3/04
248/56
- 5,079,389 A * 1/1992 Nelson H02G 3/22
16/2.1

* cited by examiner

Primary Examiner — Mark Goodwin
(74) *Attorney, Agent, or Firm* — Brian D. Bellamy

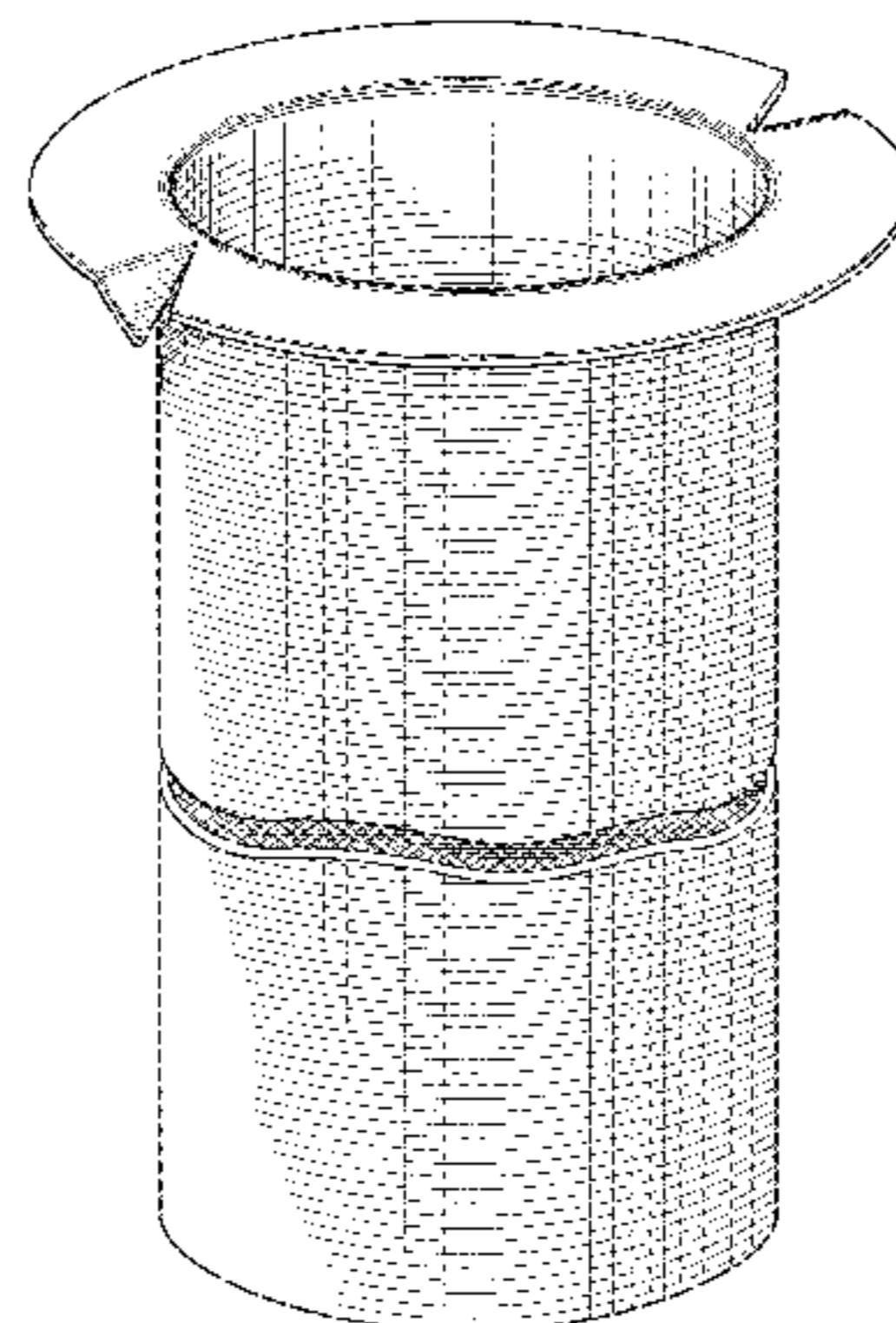
(57) **CLAIM**

The ornamental design for a wall stud insert shield, as shown.

DESCRIPTION

FIG. 1 is a side, front and top perspective view of a wall stud insert shield, showing my new design, the upper and lower portion shown broken apart to indicate indeterminate length; FIG. 2 is a front elevation view thereof, whereas the rear is an identical mirror image; FIG. 3 is a right side elevation view thereof, whereas the left side is an identical mirror image; FIG. 4 is a top plan view thereof; and, FIG. 5 is a bottom plan view thereof.

1 Claim, 3 Drawing Sheets



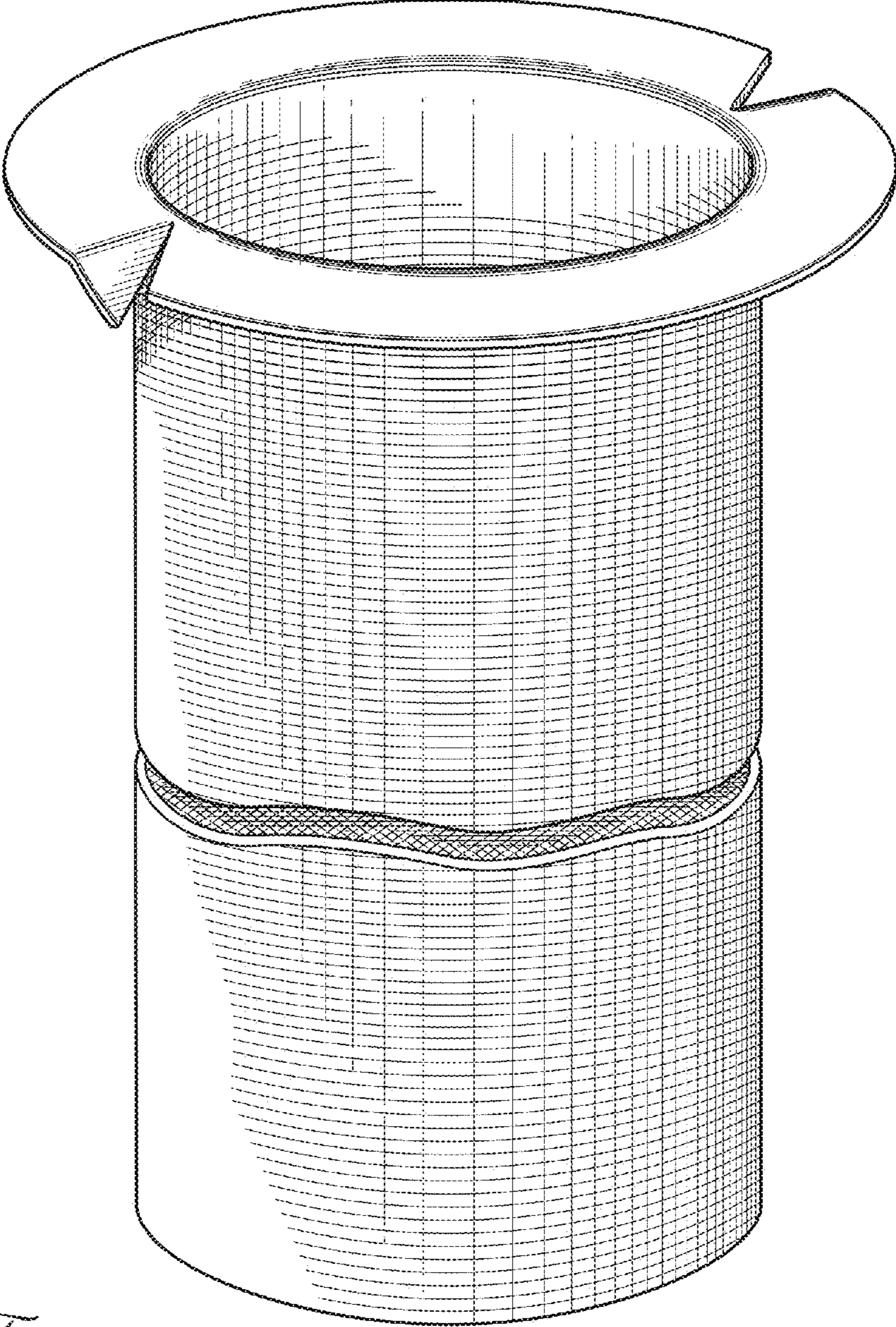


Fig. 1

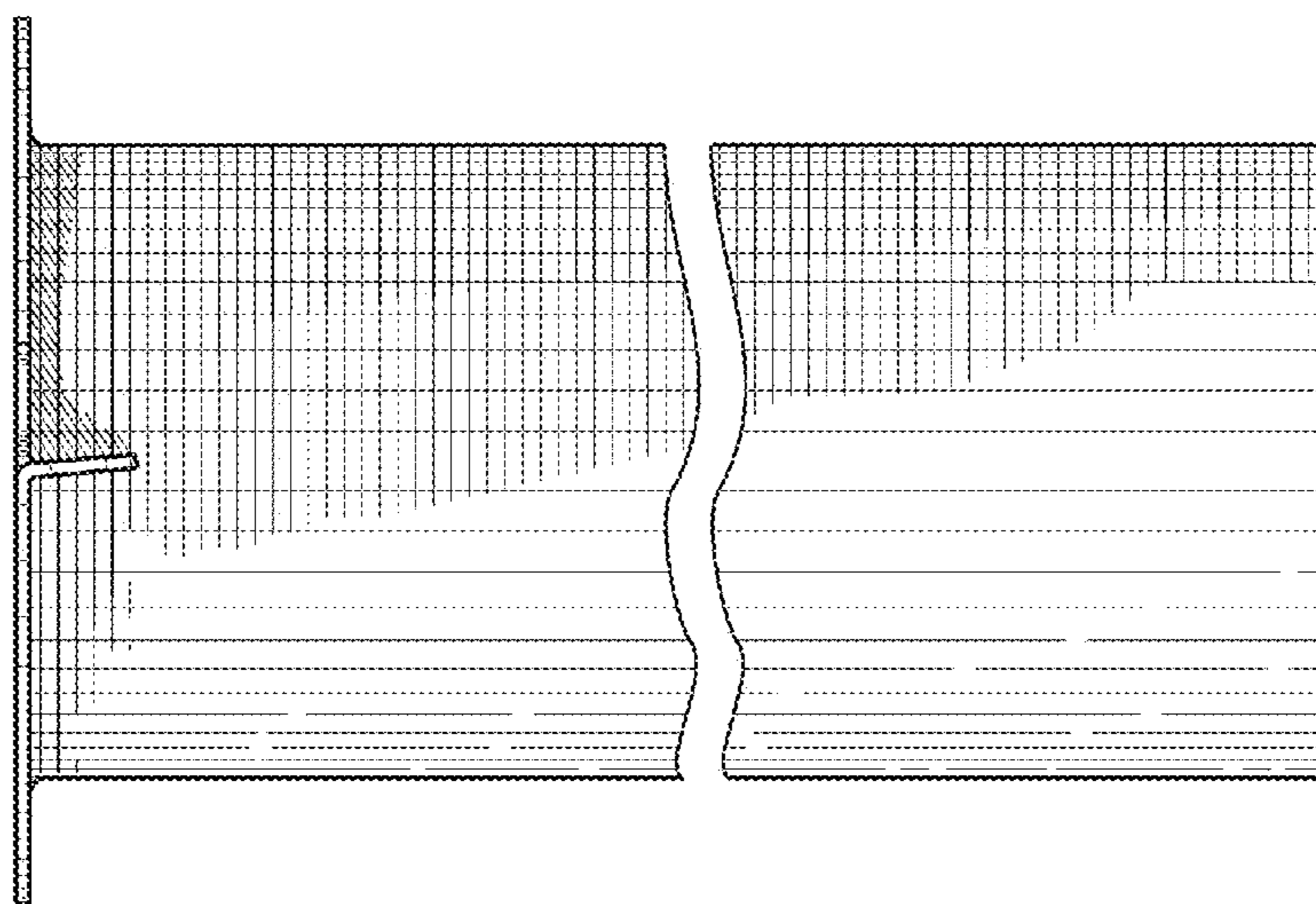


Fig. 3

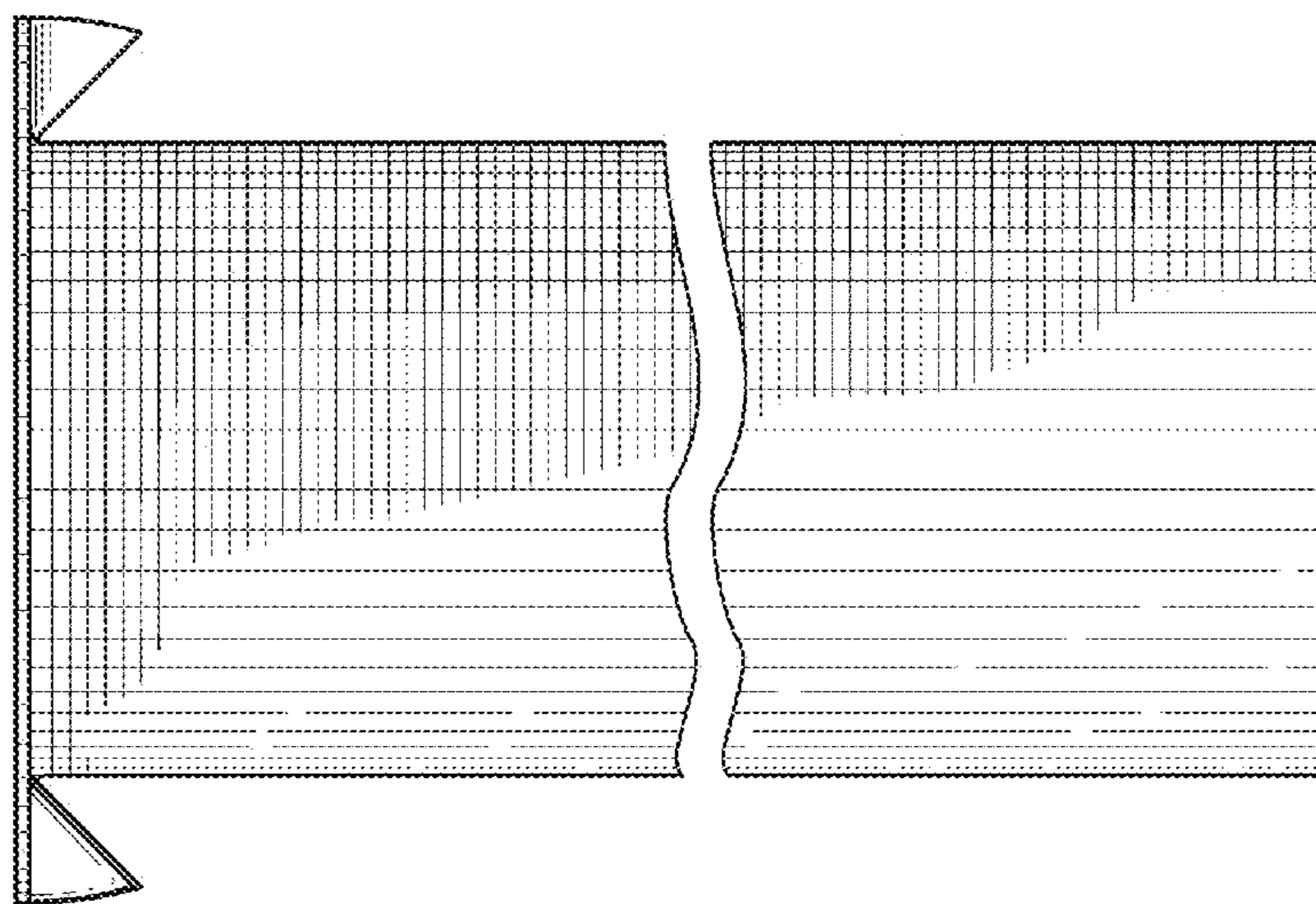


Fig. 2

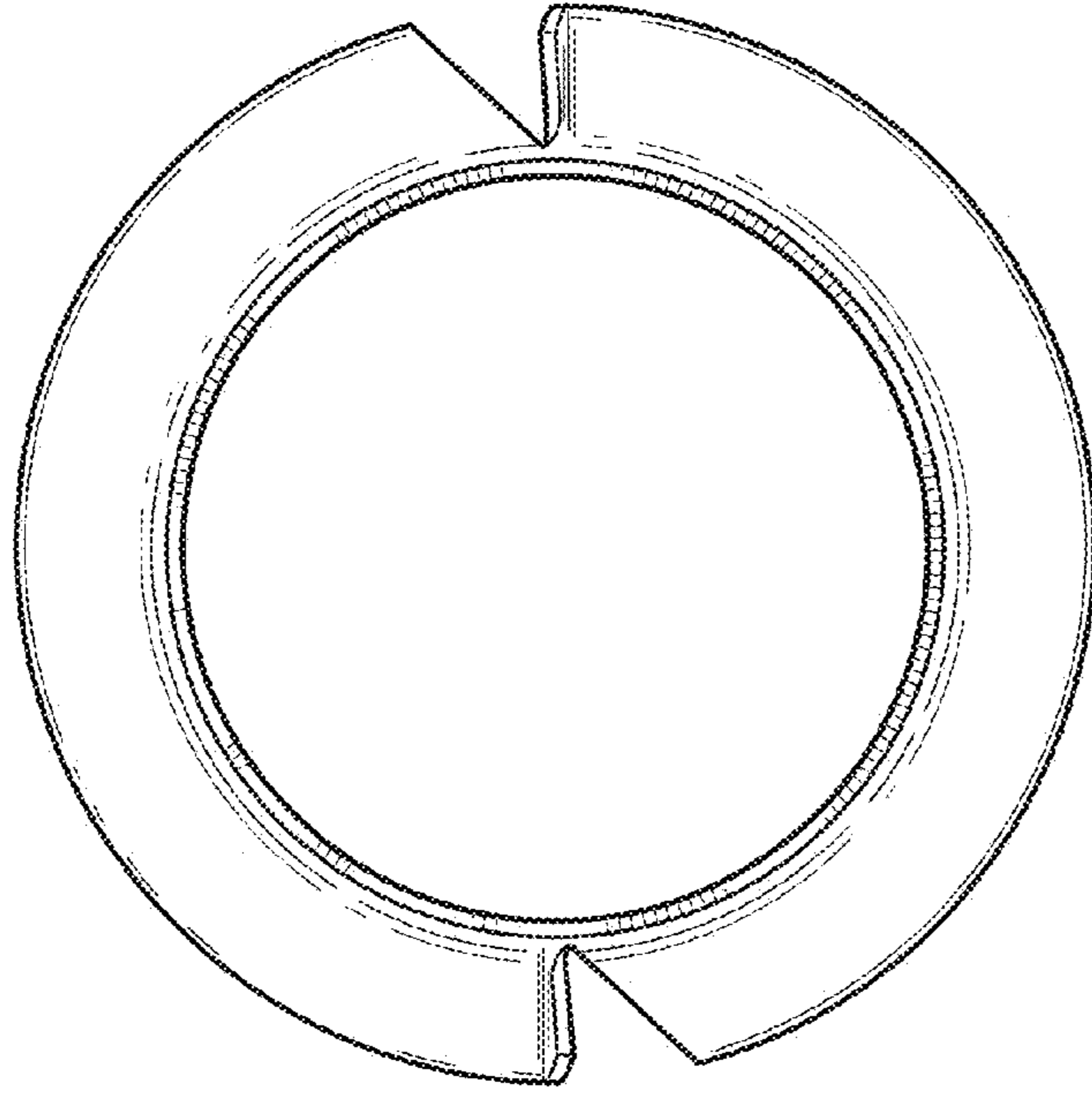


Fig. 5

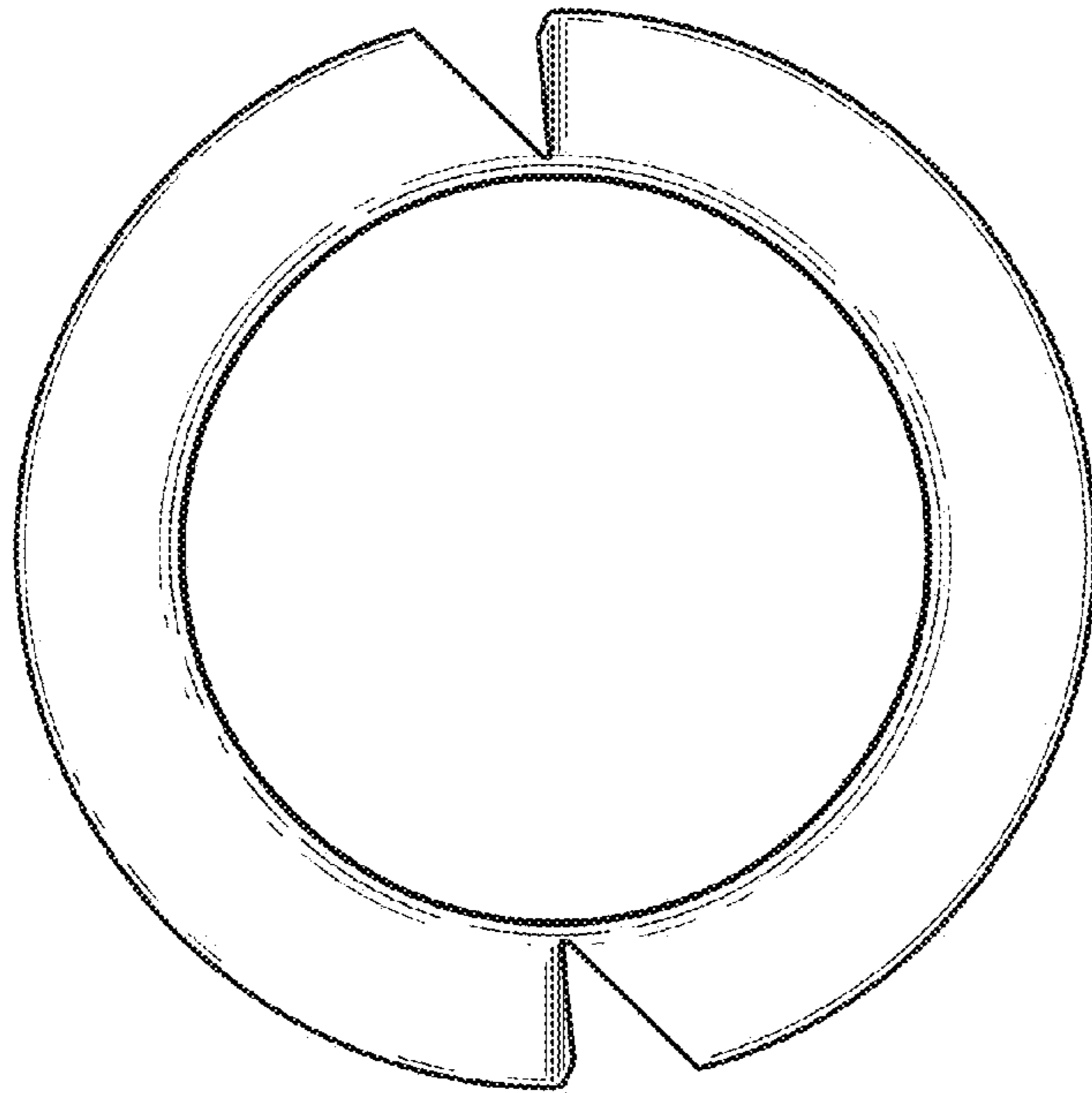


Fig. 4