



US00D763659S

(12) **United States Design Patent**
Tung

(10) **Patent No.:** **US D763,659 S**

(45) **Date of Patent:** **** Aug. 16, 2016**

- (54) **DOOR BOLT**
- (71) Applicant: **Marine Town Inc.**, New Taipei (TW)
- (72) Inventor: **Chin-Chung Tung**, New Taipei (TW)
- (73) Assignee: **MARINE TOWN INC.**, New Taipei (TW)
- (**) Term: **15 Years**
- (21) Appl. No.: **29/536,445**
- (22) Filed: **Aug. 17, 2015**
- (51) **LOC (10) Cl.** **08-07**
- (52) **U.S. Cl.**
USPC **D8/330; D8/339; D8/343**
- (58) **Field of Classification Search**
USPC D8/330, 331, 339-342, 349, 367, 400;
70/14, 19, 57, 57.1, 58, 51, 52, 199,
70/237, 240, 431, 288, 94, 99; 292/92,
292/339, 259 R, 259 A, 57, 262, 273, 305,
292/306, DIG. 47, DIG. 55, DIG. 60; 49/57,
49/61, 62, 303, 463-466
CPC E05F 5/06; E05F 5/00; E05C 17/00;
E05Y 2900/531; E05Y 2201/21
See application file for complete search history.

- 4,949,560 A * 8/1990 Anderson E05B 67/38
70/2
- 5,080,354 A * 1/1992 McDougall E05C 1/04
292/145
- D349,035 S * 7/1994 Baber D8/339
- 5,352,001 A * 10/1994 Shieh E05B 15/025
292/341.18
- 7,021,678 B1 * 4/2006 Raoult A01K 1/0017
256/1
- 7,648,180 B2 * 1/2010 Petry E05B 9/002
292/137
- D722,495 S * 2/2015 Hugo D8/402
- D733,520 S * 7/2015 Barna D8/330

* cited by examiner

Primary Examiner — Prabhakar Deshmukh
(74) *Attorney, Agent, or Firm* — WPAT, P.C., Intellectual Property Attorneys; Anthony King

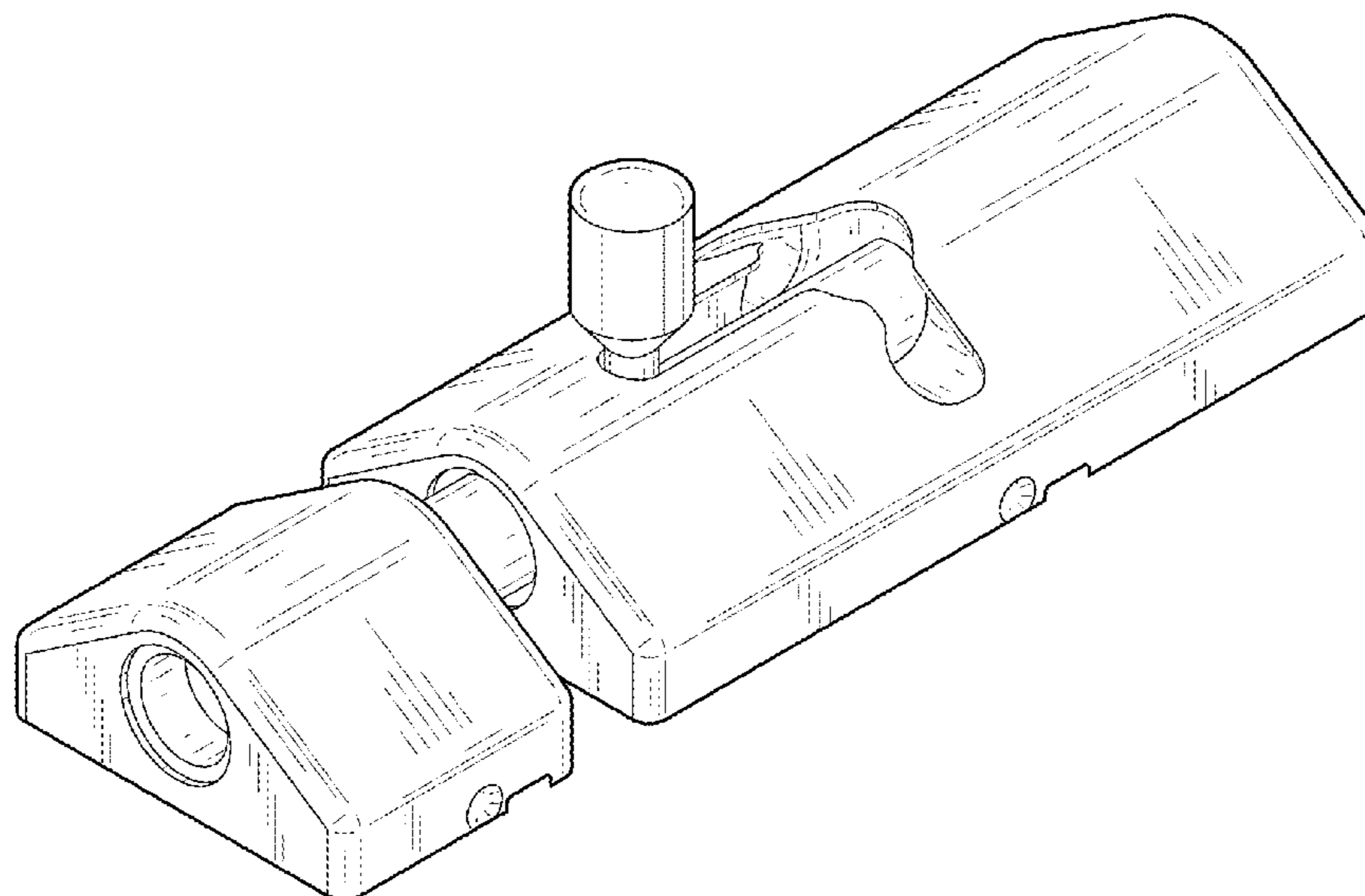
(57) **CLAIM**
The ornamental design for a “door bolt,” as shown and described.

DESCRIPTION

FIG. 1 is a perspective view of a door bolt showing my new design thereof;
FIG. 2 is a front elevational view thereof;
FIG. 3 is a rear elevational view thereof;
FIG. 4 is a left side elevational view thereof;
FIG. 5 is a right side elevational view thereof;
FIG. 6 is a top plan view thereof;
FIG. 7 is a bottom plan view; and,
FIG. 8 is another perspective view thereof.
The broken lines shown represent unclaimed subject matter and form no part of the claimed design.

1 Claim, 5 Drawing Sheets

- (56) **References Cited**
U.S. PATENT DOCUMENTS
3,659,885 A * 5/1972 Nail E05B 15/1614
292/2
- 4,215,774 A * 8/1980 Manservisi B65G 47/681
198/444
- D293,878 S * 1/1988 Kayser D8/339
- 4,724,690 A * 2/1988 Dunphy E05C 1/04
292/153



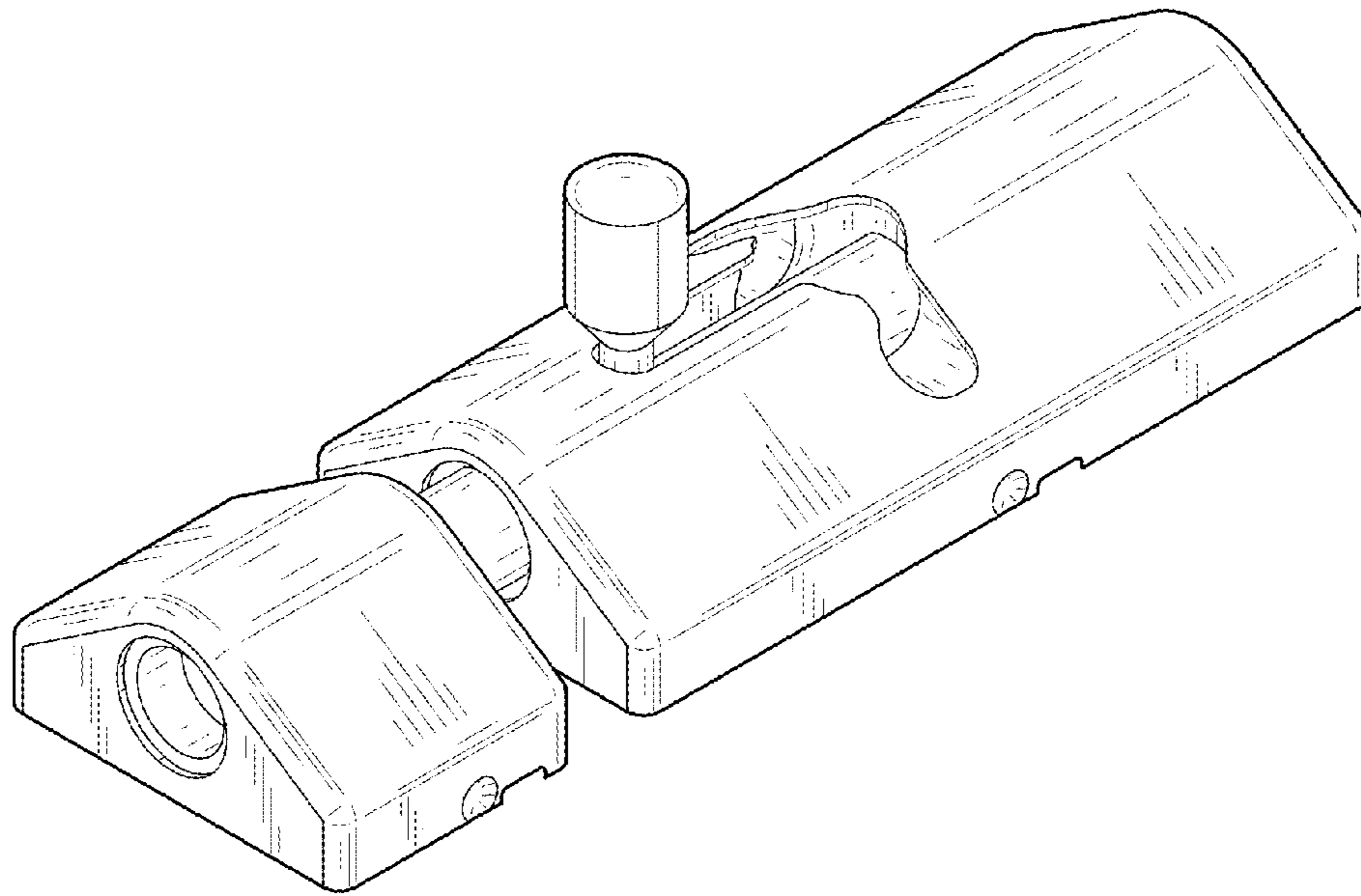


FIG. 1

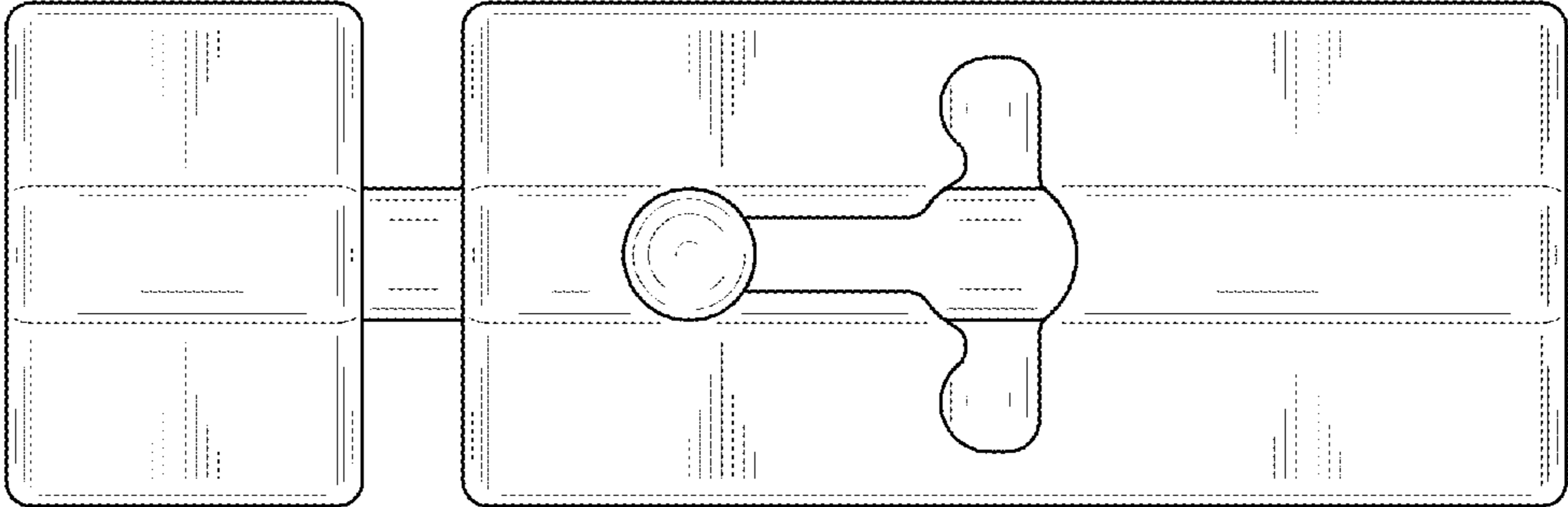


FIG. 2

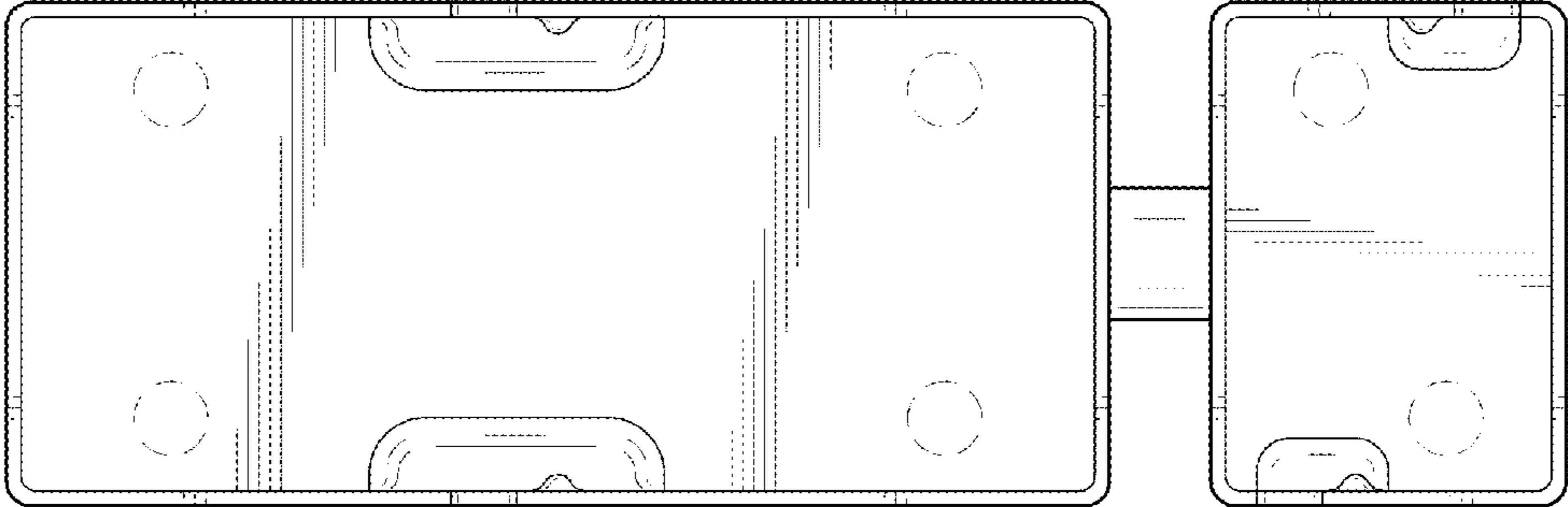


FIG. 3

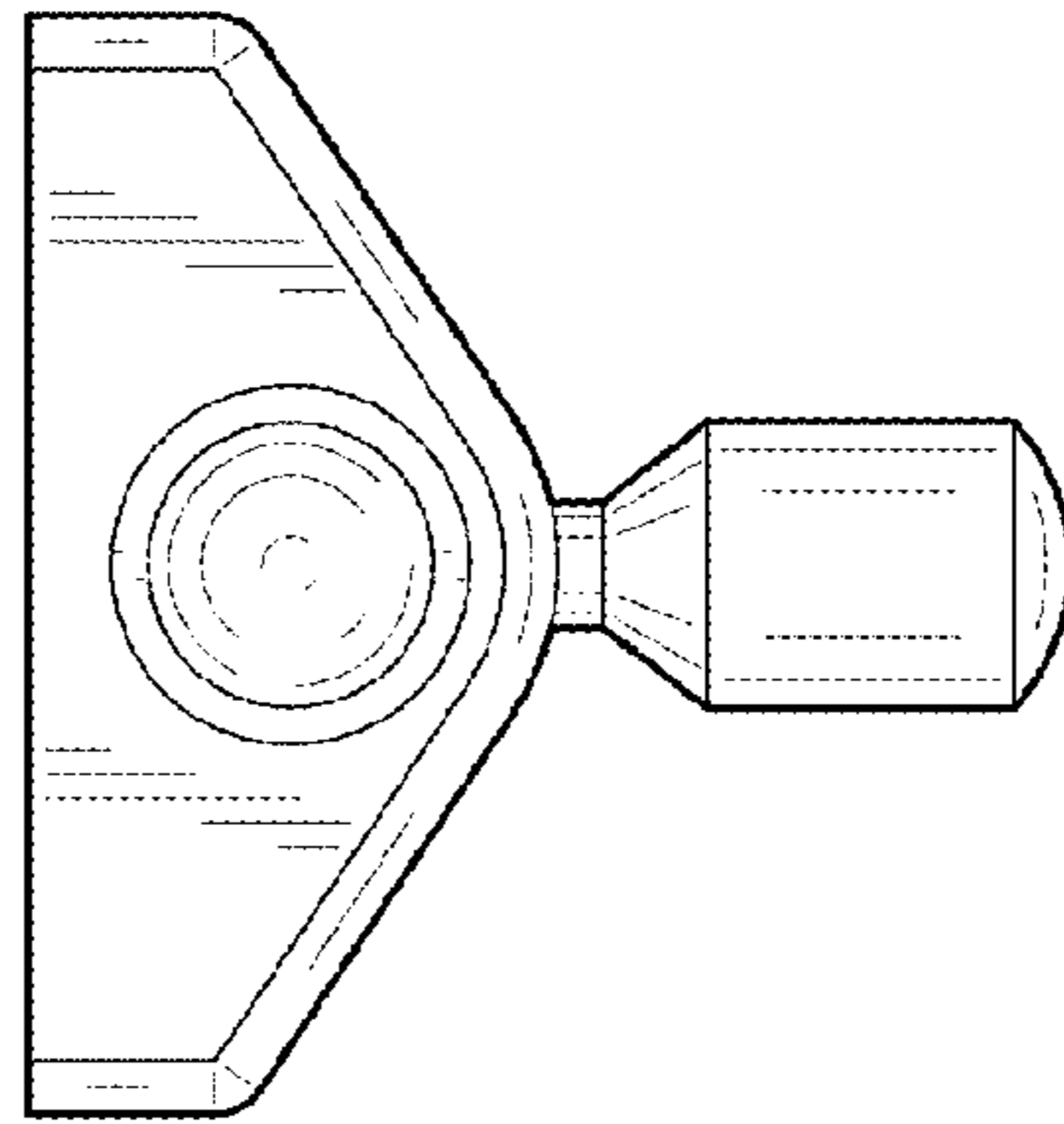


FIG. 4

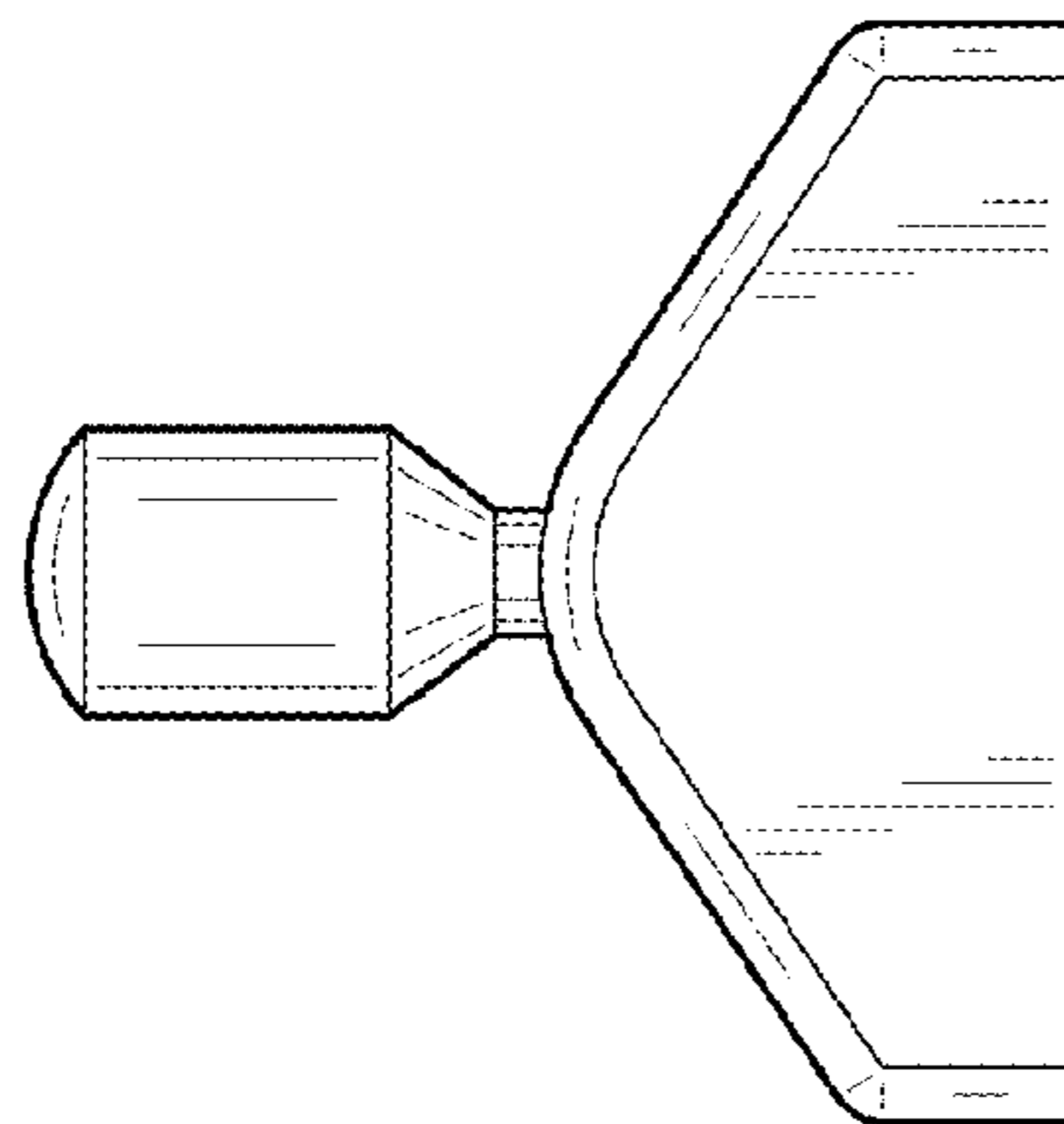


FIG. 5

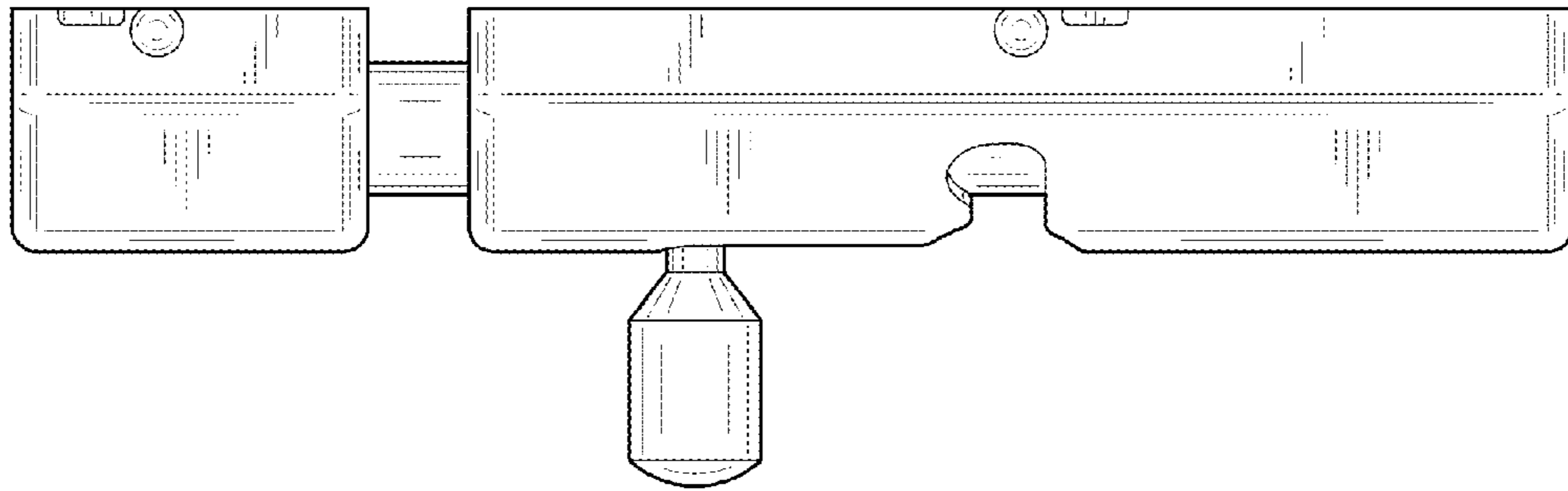


FIG. 6

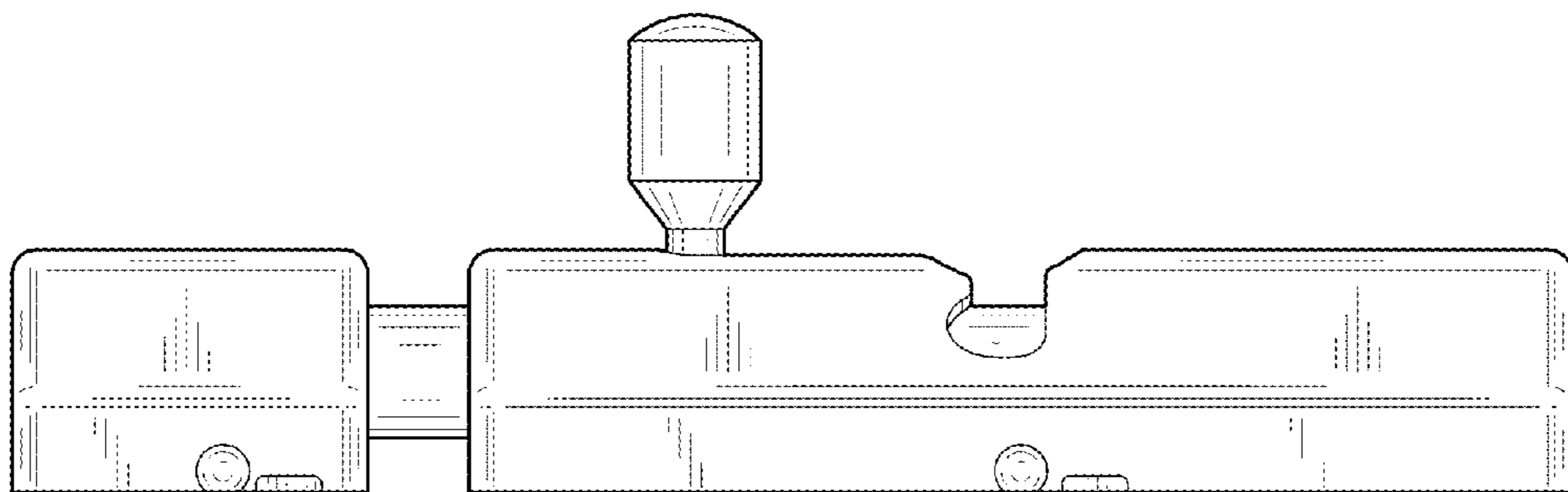


FIG. 7

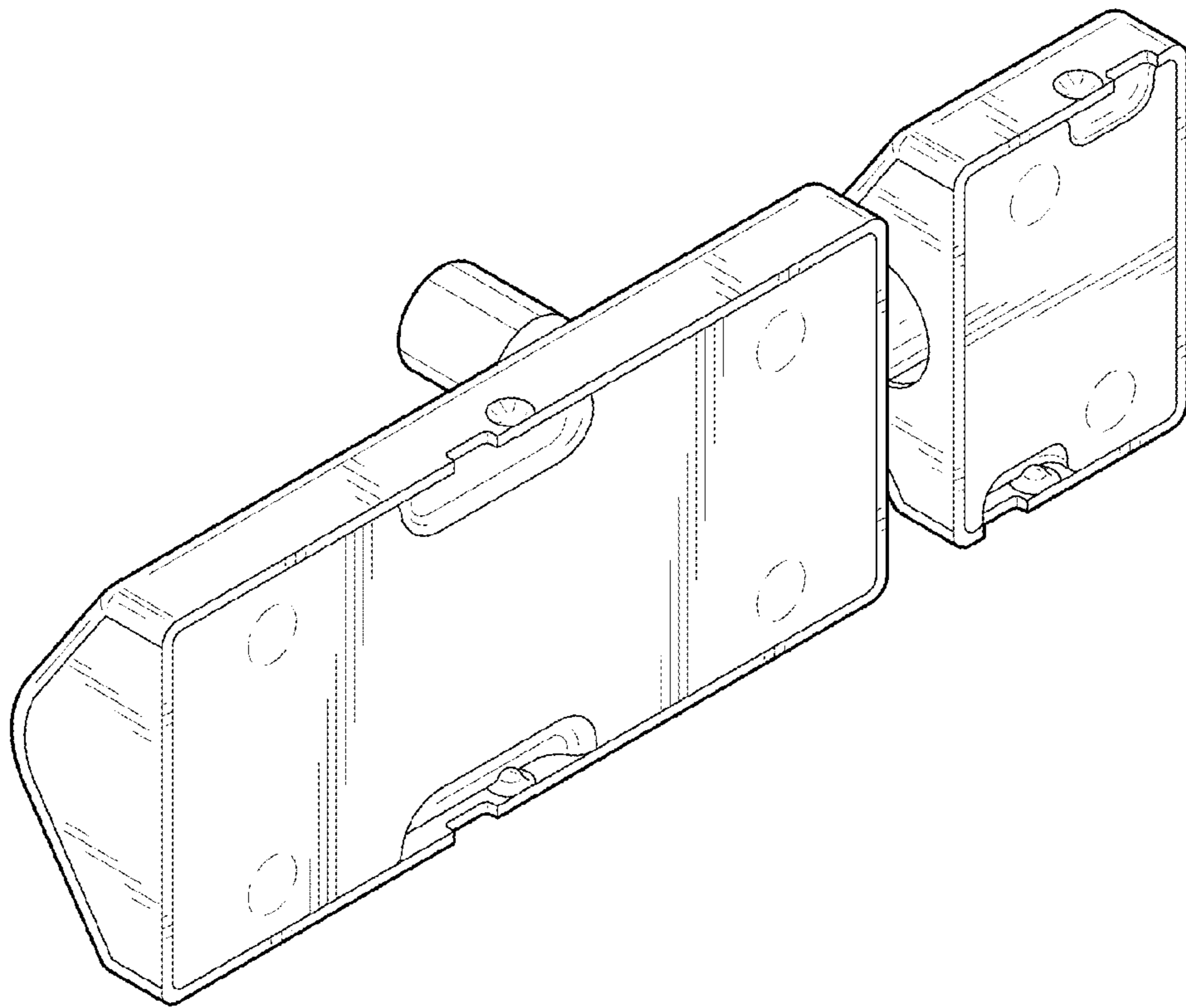


FIG. 8