

US00D763657S

(12) **United States Design Patent**
Zimmer

(10) **Patent No.:** **US D763,657 S**

(45) **Date of Patent:** **** Aug. 16, 2016**

(54) **CABINET HANDLE**

(71) Applicant: **Top Knobs USA, Inc.**, Hillsborough, NJ
(US)

(72) Inventor: **Christine Zimmer**, Hillsborough, NJ
(US)

(73) Assignee: **TOP KNOBS USA, INC.**, Hillsborough,
NJ (US)

(**) Term: **14 Years**

(21) Appl. No.: **29/514,378**

(22) Filed: **Jan. 12, 2015**

(51) **LOC (10) Cl.** **08-06**

(52) **U.S. Cl.**
USPC **D8/317**

(58) **Field of Classification Search**
USPC D8/305, 313, 315-320, DIG. 1;
D23/250, 254, 303, 304, 305; D99/11;
D6/546, 549; D7/393, 394; 16/110.1,
16/412, 415
CPC E05B 1/0015; E05B 1/00
See application file for complete search history.

(56) **References Cited**

U.S. PATENT DOCUMENTS

D574,217 S *	8/2008	Jou	D8/317
D605,924 S *	12/2009	Hanes	D8/317
D643,277 S *	8/2011	Roe	D8/317
D704,031 S *	5/2014	Jou	D8/317
D718,606 S *	12/2014	Ramsland	D8/315
D721,260 S *	1/2015	Ramsland	D8/316
D724,411 S *	3/2015	Han	D8/317
D729,037 S *	5/2015	Zimmer	D8/316

* cited by examiner

Primary Examiner — Ian Simmons
Assistant Examiner — Harold Blackwell, II
(74) *Attorney, Agent, or Firm* — Schultz & Associates, P.C.

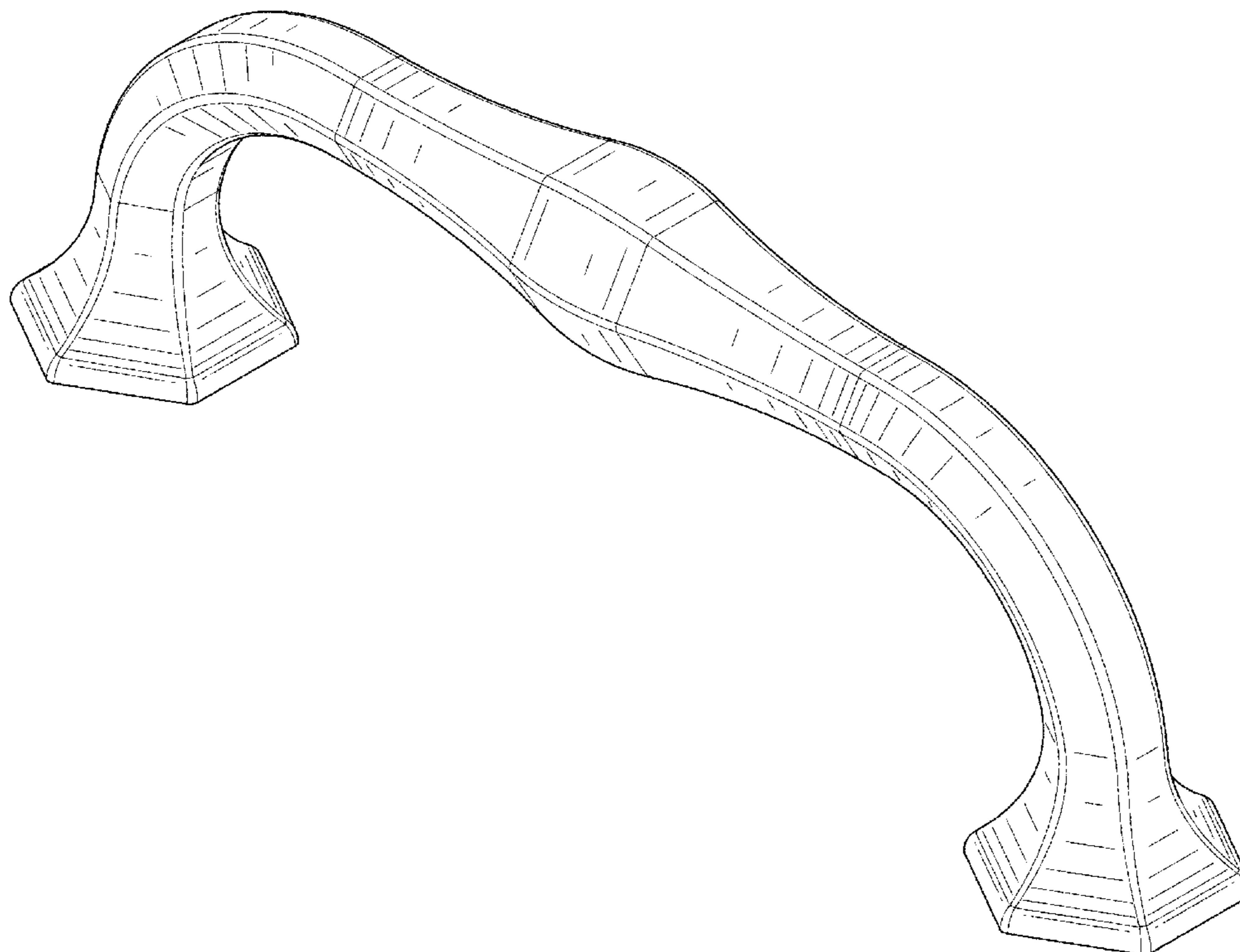
(57) **CLAIM**

The ornamental design for a cabinet handle, as shown and described.

DESCRIPTION

FIG. 1 is a perspective view of a cabinet handle showing my new design;
FIG. 2 is a side elevation view thereof;
FIG. 3 is a side elevation view thereof;
FIG. 4 is a top plan view thereof; and,
FIG. 5 is a bottom plan view thereof.
The broken lines shown represent unclaimed subject matter and form no part of the claimed design.

1 Claim, 3 Drawing Sheets



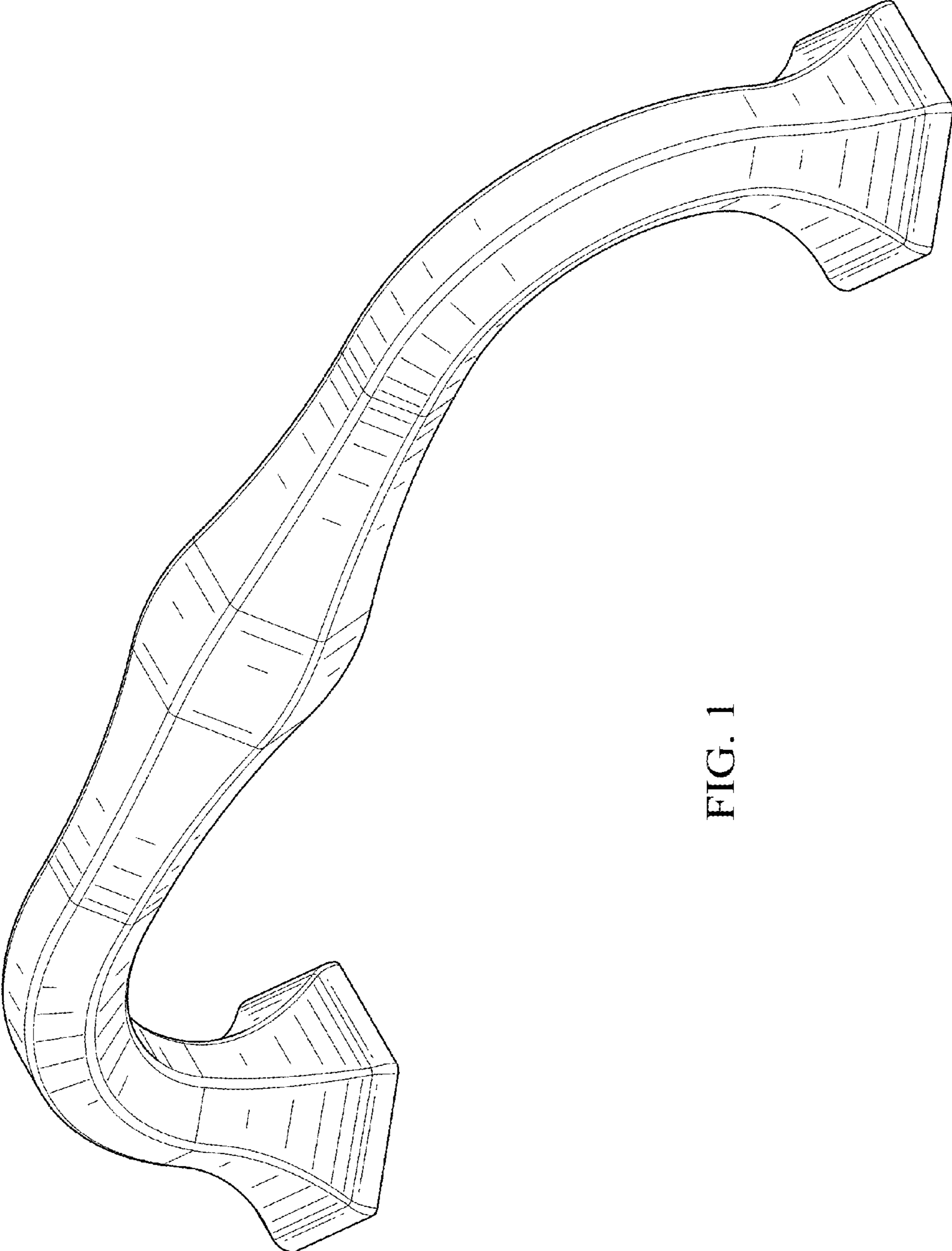


FIG. 1

FIG. 2

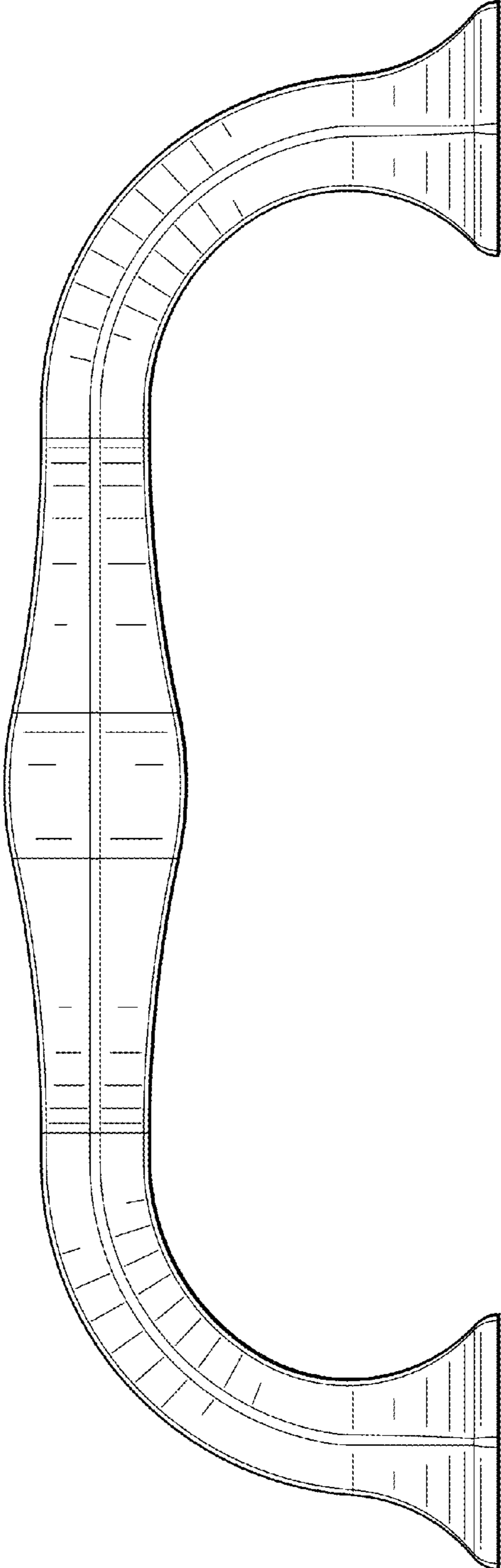
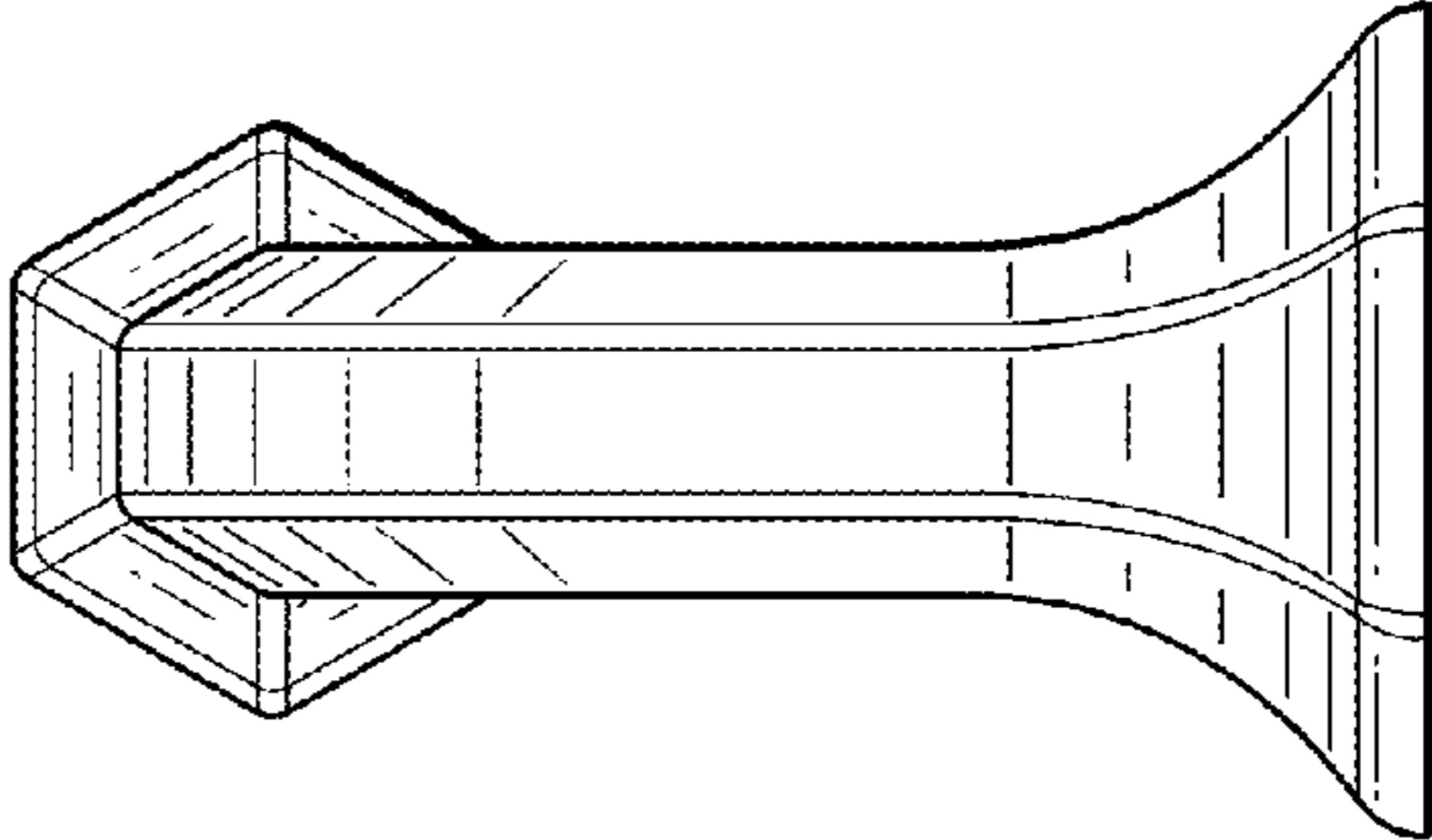


FIG. 3



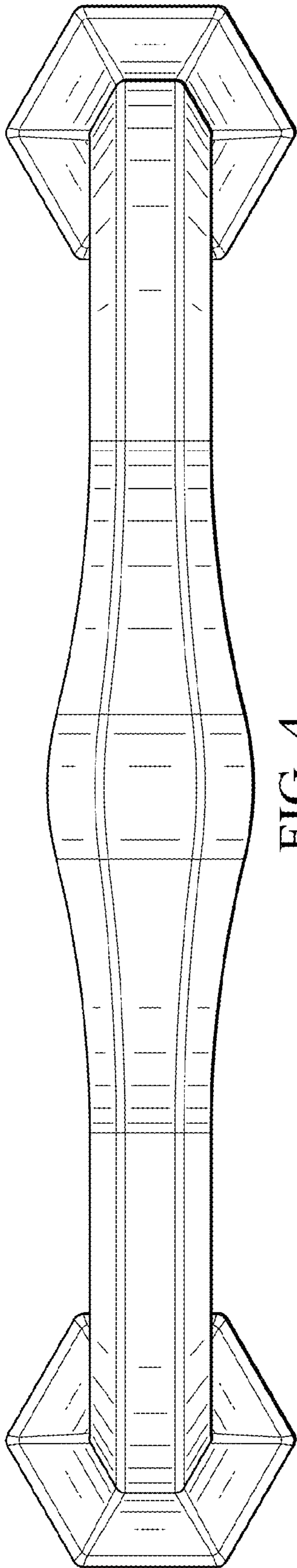


FIG. 4

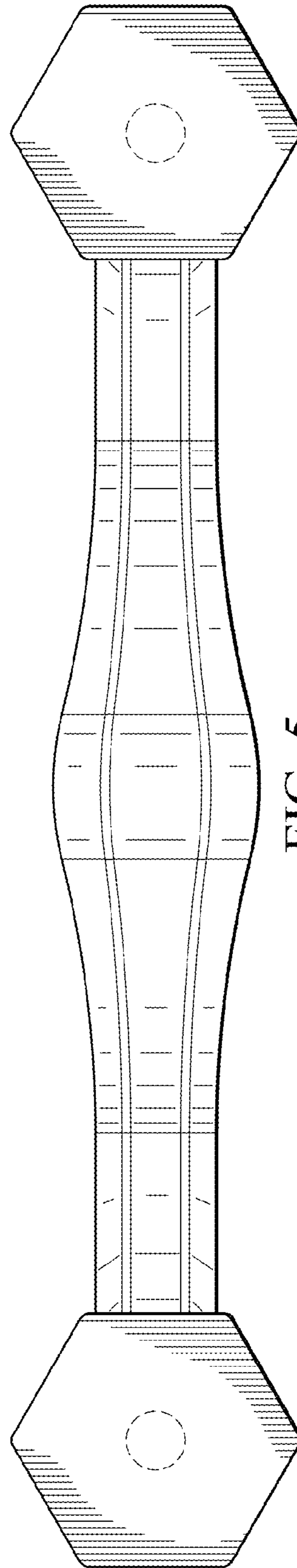


FIG. 5