



US00D763653S

(12) **United States Design Patent**
Horovitz et al.

(10) **Patent No.:** **US D763,653 S**
(45) **Date of Patent:** **** Aug. 16, 2016**

(54) **UTILITY KNIFE**

(71) Applicant: **Stanley Black & Decker, Inc.**, New Britain, CT (US)

(72) Inventors: **Nadin Daniel Horovitz**, Rehovot (IL);
Chao Lien Liu, Taichung (TW)

(73) Assignee: **Stanley Black & Decker Inc.**, New Britain, CT (US)

(**) Term: **14 Years**

(21) Appl. No.: **29/500,579**

(22) Filed: **Aug. 26, 2014**

(30) **Foreign Application Priority Data**

Mar. 11, 2014 (CN) 2014 3 0047068

(51) **LOC (10) Cl.** **08-03**

(52) **U.S. Cl.**
USPC **D8/99**

(58) **Field of Classification Search**
USPC D8/98, 99, 105, 107
CPC B26B 5/001; B26B 5/003; B26B 11/00;
B26B 1/08

See application file for complete search history.

(56) **References Cited**

U.S. PATENT DOCUMENTS

D398,829 S * 9/1998 Okada D8/99
D436,825 S * 1/2001 Chen D8/99

D453,896 S * 2/2002 Hirai D8/99
D499,948 S * 12/2004 Kondo et al. D8/99
D543,900 S * 6/2007 Lian D12/96
D560,462 S * 1/2008 Takamasa D8/98
D565,919 S * 4/2008 Kondo et al. D8/99
D596,479 S * 7/2009 Newman et al. D8/331
D596,915 S * 7/2009 Garcia et al. D8/99
D656,381 S * 3/2012 Watanabe D8/99
D731,282 S * 6/2015 Dahlberg et al. D8/99
D735,552 S * 8/2015 Hung D8/99

* cited by examiner

Primary Examiner — Phillip S Hyder

(74) *Attorney, Agent, or Firm* — Gabriel A. Haboubi

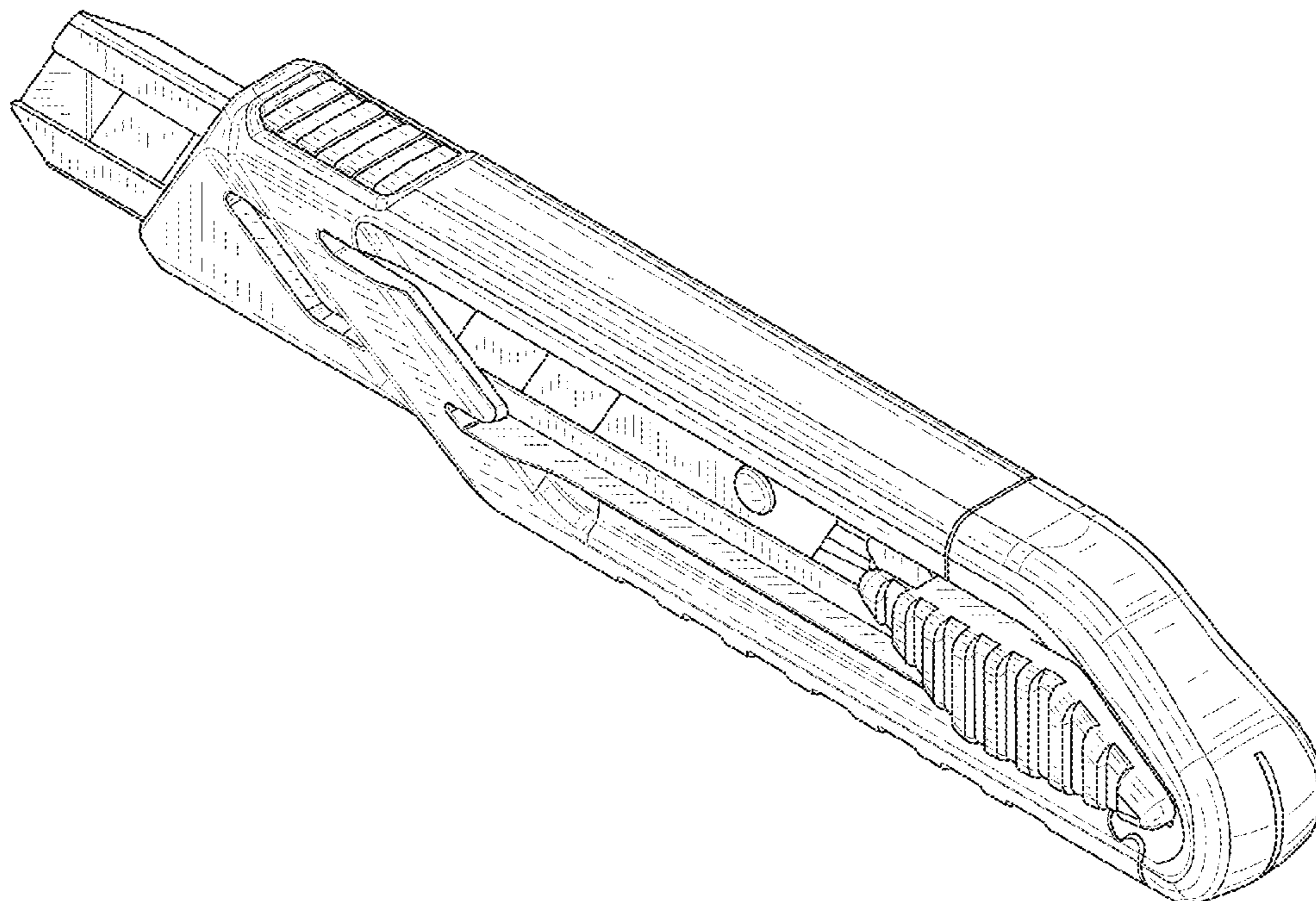
(57) **CLAIM**

The ornamental design for a utility knife, as shown and described.

DESCRIPTION

FIG. 1 is a front perspective view of our new design;
FIG. 2 is a front view thereof;
FIG. 3 is a rear view thereof;
FIG. 4 is a left side view thereof;
FIG. 5 is a right side view thereof;
FIG. 6 is a top view thereof;
FIG. 7 is a bottom view thereof; and,
FIG. 8 is a rear perspective view thereof.
The broken lines illustrate disclaimed portions of the utility knife and form no part of the claimed design.

1 Claim, 7 Drawing Sheets



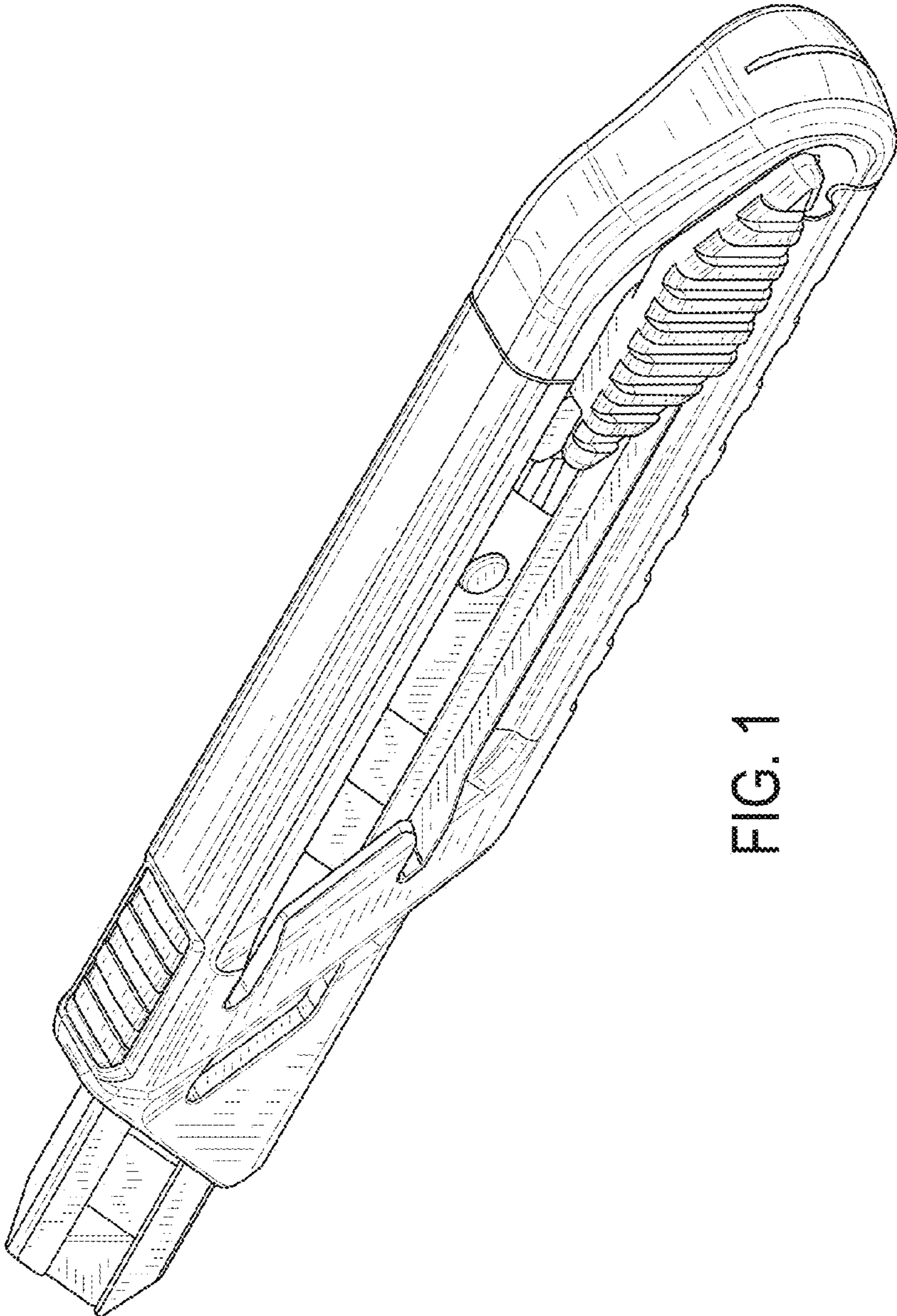


FIG. 1

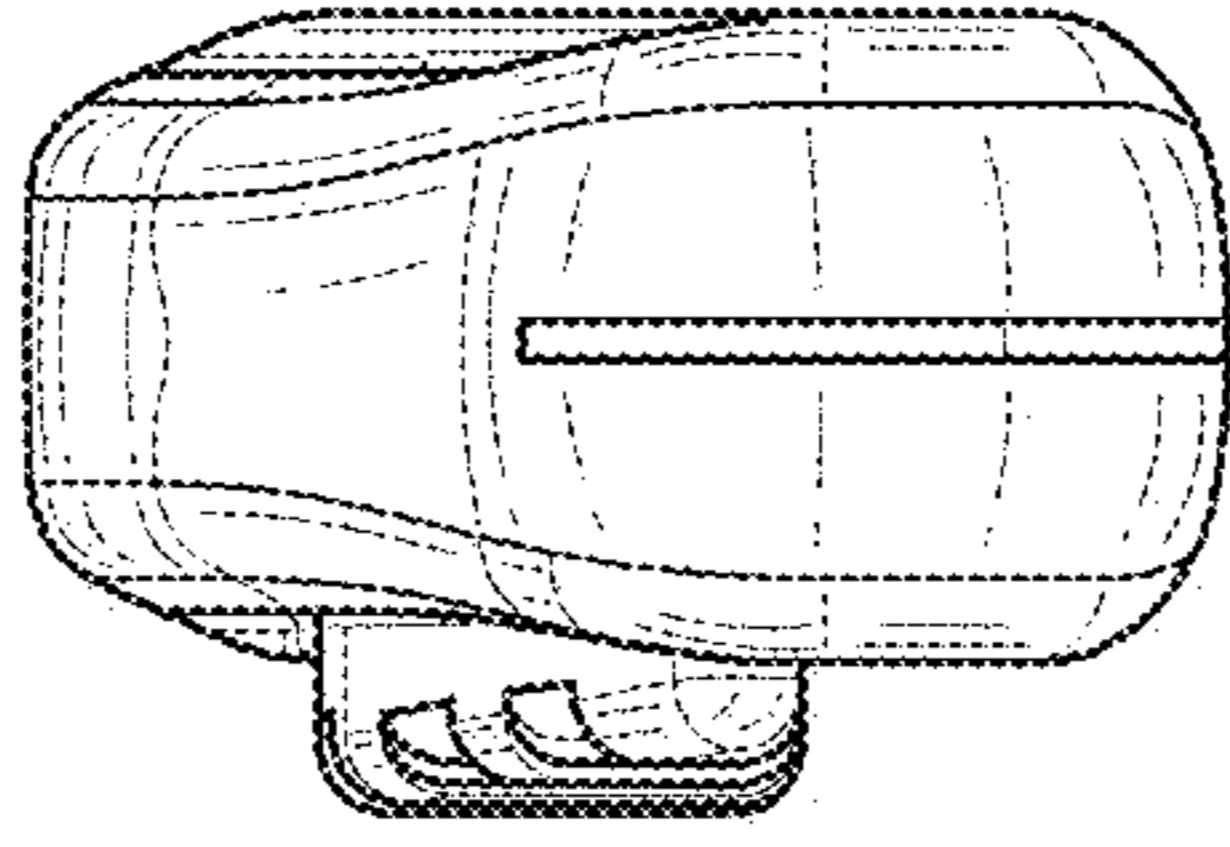


FIG. 3

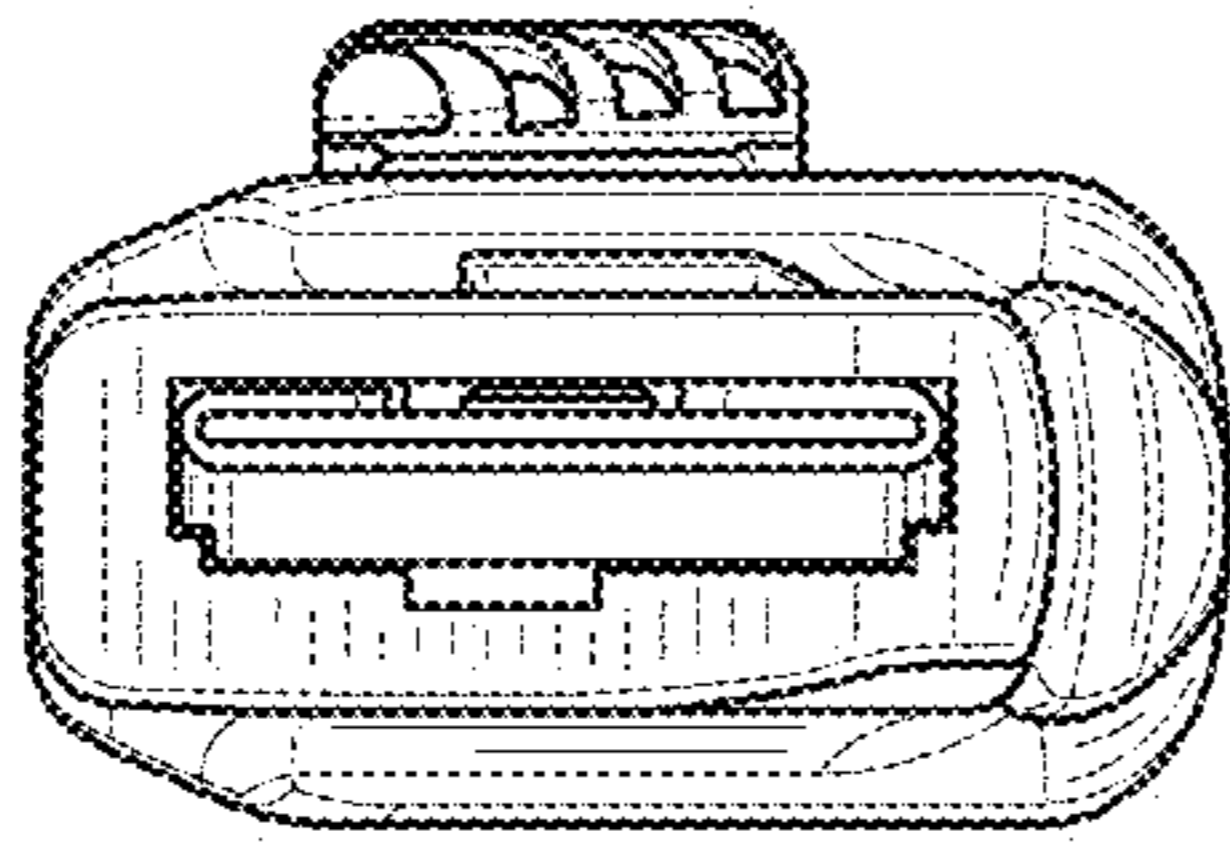


FIG. 2

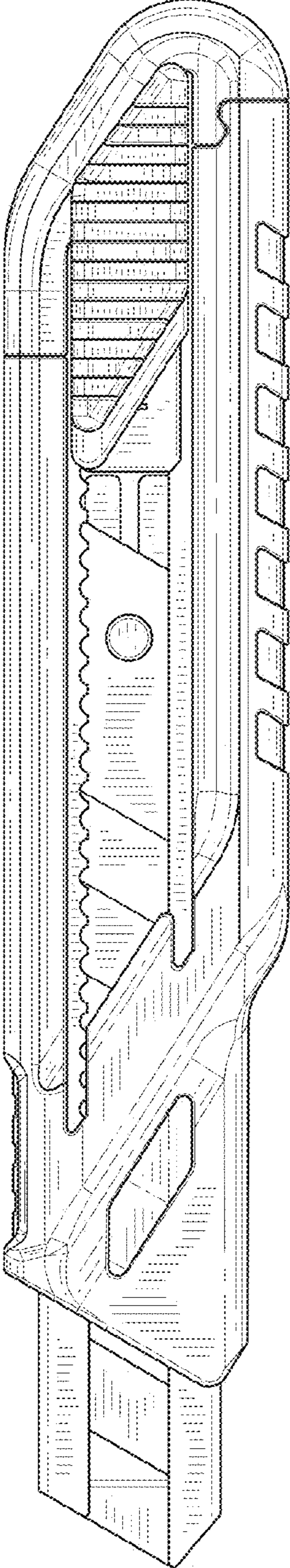


FIG. 4

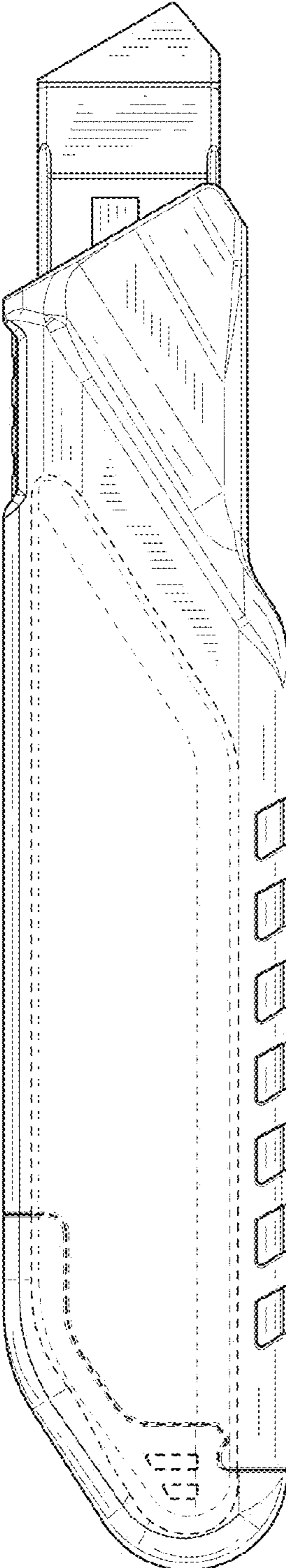


FIG. 5

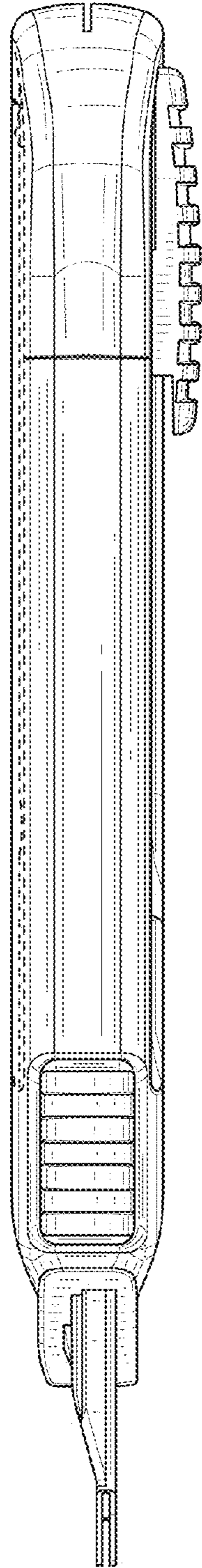


FIG. 6

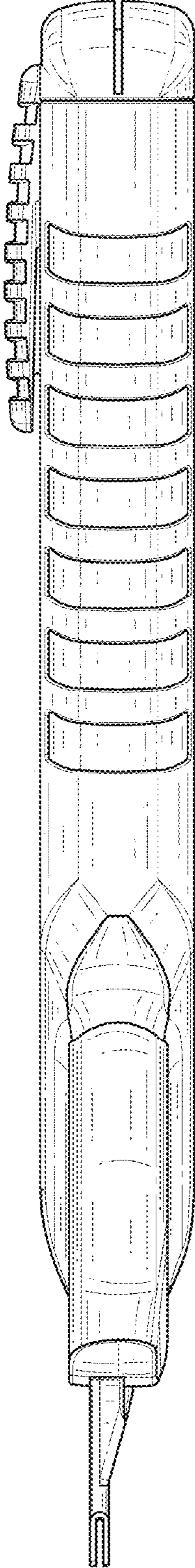


FIG. 7

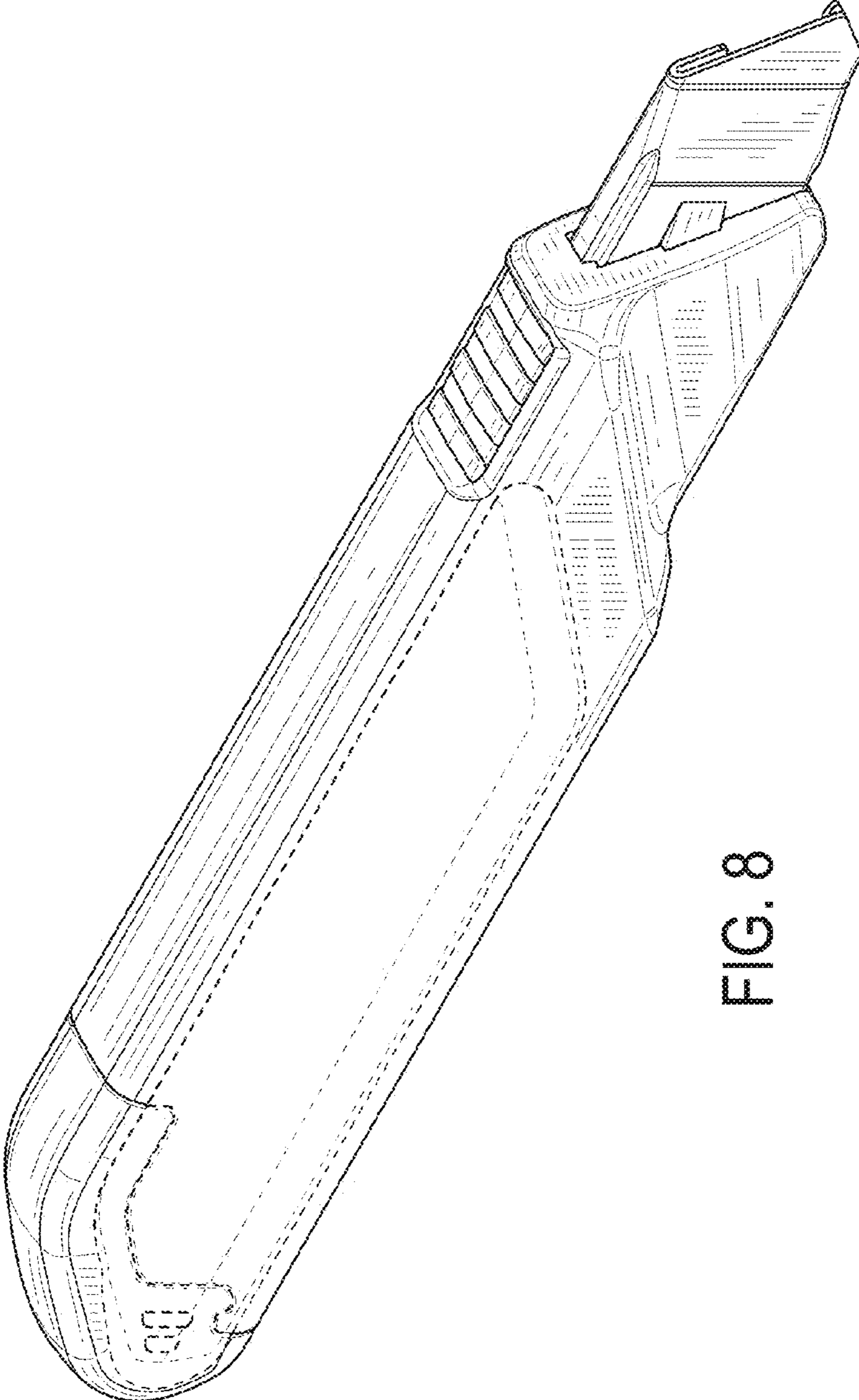


FIG. 8