



US00D763650S

(12) **United States Design Patent**
Severinson et al.

(10) **Patent No.:** **US D763,650 S**

(45) **Date of Patent:** **** Aug. 16, 2016**

(54) **SHARPENER**

(71) Applicant: **Zwilling J.A. Henckels AG**, Solingen (DE)

(72) Inventors: **Scott Severinson**, Hawthorne, NY (US);
Joanna Rosenberg, Hawthorne, NY (US)

(73) Assignee: **Zwilling J.A. Henckels AG**, Solingen (DE)

(**) Term: **14 Years**

(21) Appl. No.: **29/511,852**

(22) Filed: **Dec. 15, 2014**

(51) **LOC (10) Cl.** **08-05**

(52) **U.S. Cl.**
USPC **D8/93**

(58) **Field of Classification Search**
USPC D8/90-94, 105; 451/349, 461, 486,
451/552, 555-558
CPC B24B 3/54; B24B 3/546; B24D 15/08;
B24D 15/081; B24D 15/082; B24D 15/065
See application file for complete search history.

(56) **References Cited**

U.S. PATENT DOCUMENTS

| | | |
|-------------|---------|---------------|
| D116,704 S | 9/1939 | Conway et al. |
| D142,880 S | 11/1945 | Loucony |
| D145,803 S | 10/1946 | Jones |
| D162,768 S | 4/1951 | Anheuser |
| D173,204 S | 10/1954 | Hussar |
| D183,530 S | 9/1958 | Lamb |
| D241,504 S | 9/1976 | Krushe et al. |
| 4,502,254 A | 3/1985 | Carter |

(Continued)

Primary Examiner — Phillip S Hyder

(74) *Attorney, Agent, or Firm* — Mayback & Hoffman, P.A.;
Gregory L. Mayback

(57) **CLAIM**

The ornamental design for a sharpener, as shown and described.

DESCRIPTION

FIG. 1 is a left side elevational view of a knife sharpener showing our new design with a sharpener cover in a rear position;

FIG. 2 is a left side elevational view of a knife sharpener showing our new design with the sharpener cover removed; FIG. 3 is a right side elevational view of the knife sharpener of FIG. 1;

FIG. 4 is a right side elevational view of the knife sharpener of FIG. 1 with the sharpener coverd in a forward position;

FIG. 5 is a right side elevational view of the knife sharpener of FIG. 2;

FIG. 6 is a bottom plan view of the knife sharpener of FIG. 1;

FIG. 7 is a top plan view of the knife sharpener of FIG. 2;

FIG. 8 is a top plan view of the knife sharpener of FIG. 1;

FIG. 9 is an elevational view of the rear of the knife sharpener of FIG. 1;

FIG. 10 is an elevational view of the front of the knife sharpener of FIG. 1;

FIG. 11 is an elevational view of the front of the knife sharpener of FIG. 2;

FIG. 12 is a left side rear perspective view of the knife sharpener of FIG. 1;

FIG. 13 is a left side rear perspective view of the knife sharpener of FIG. 2;

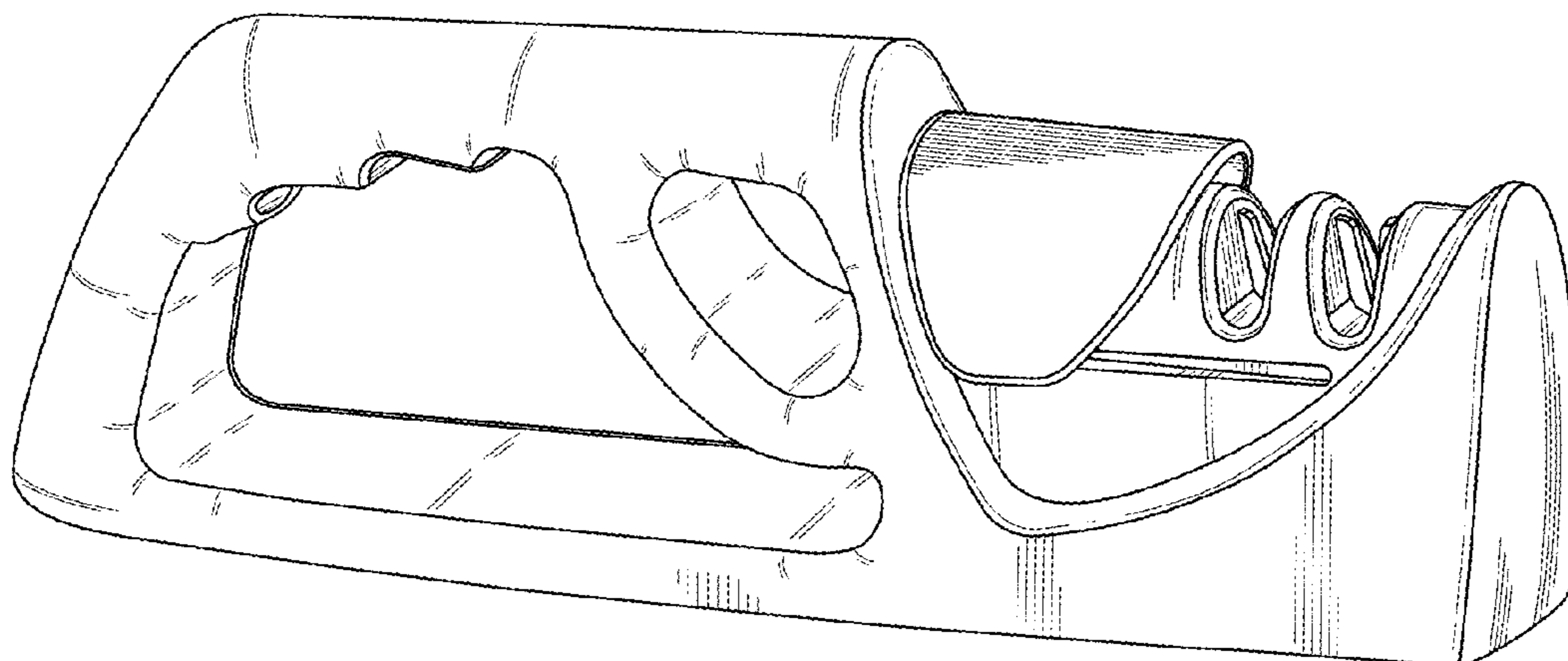
FIG. 14 is a right side front perspective view of the knife sharpener of FIG. 1;

FIG. 15 is a right side front perspective view of the knife sharpener of FIG. 2;

FIG. 16 is a top side perspective view the knife sharpener of FIG. 1; and,

FIG. 17 is a top side perspective view the knife sharpener of FIG. 2.

1 Claim, 6 Drawing Sheets



(56)

References Cited

U.S. PATENT DOCUMENTS

| | | | | | | |
|--------------|---------|-----------------|-----------------|---------|-------------------|-------------|
| D281,857 S | 12/1985 | Groves | D470,382 S | 2/2003 | Kurz | |
| D299,308 S | 1/1989 | Prindle | D473,777 S | 4/2003 | Thompson et al. | |
| D308,018 S | 5/1990 | Linden et al. | D481,285 S | 10/2003 | Moeller et al. | |
| D309,414 S | 7/1990 | Shimizu | D499,004 S | 11/2004 | Smith | |
| D309,415 S | 7/1990 | Shimizu | D500,439 S | 1/2005 | Rosenthal | |
| D315,663 S | 3/1991 | Dolbosco | 6,997,795 B2 | 2/2006 | Friel, Sr. | |
| D323,450 S | 1/1992 | Shimizu | D517,891 S | 3/2006 | Tsuchida | |
| 5,163,251 A | 11/1992 | Lee | D519,815 S | 5/2006 | Friel, Sr. et al. | |
| D332,210 S | 1/1993 | Linden | D525,509 S | 7/2006 | Weschenfelder | |
| D339,730 S | 9/1993 | Pigott | D526,876 S | 8/2006 | Smith | |
| D342,003 S | 12/1993 | Friel et al. | 7,235,004 B2 | 6/2007 | Friel, Sr. et al. | |
| D348,597 S | 7/1994 | Chi | D575,125 S | 8/2008 | Smith | |
| D357,395 S | 4/1995 | Friel | D575,130 S | 8/2008 | Smith | |
| 5,404,679 A | 4/1995 | Friel et al. | D578,581 S | 10/2008 | Smith | |
| 5,449,315 A | 9/1995 | Friel | D587,088 S | 2/2009 | Smith | |
| D365,740 S | 1/1996 | Smith | D587,550 S | 3/2009 | Smith | |
| D368,217 S | 3/1996 | Friel | D587,551 S | 3/2009 | Friel, Sr. et al. | |
| D372,181 S | 7/1996 | Kelley | D603,679 S | 11/2009 | Smith | |
| D375,241 S | 11/1996 | Pigott | D604,134 S | 11/2009 | Smith et al. | |
| 5,582,535 A | 12/1996 | Friel | D604,135 S | 11/2009 | Smith et al. | |
| 5,611,726 A | 3/1997 | Friel et al. | D624,799 S | 10/2010 | De Bretton | |
| D388,304 S | 12/1997 | Friel | D626,397 S | 11/2010 | Smith et al. | |
| D392,869 S | 3/1998 | Rieser | D629,273 S | 12/2010 | Friel, Sr. et al. | |
| D402,523 S | 12/1998 | Thomas | D640,116 S | 6/2011 | Smith et al. | |
| D410,185 S | 5/1999 | Huber | D640,523 S | 6/2011 | Stutz et al. | |
| 6,149,662 A | 11/2000 | Pugliesi et al. | D640,909 S | 7/2011 | Stutz et al. | |
| 6,402,608 B1 | 6/2002 | Pugliesi et al. | D673,833 S | 1/2013 | Kay | |
| | | | D680,846 S * | 4/2013 | Smith | D8/93 |
| | | | 2008/0171504 A1 | 7/2008 | Smith | |

* cited by examiner

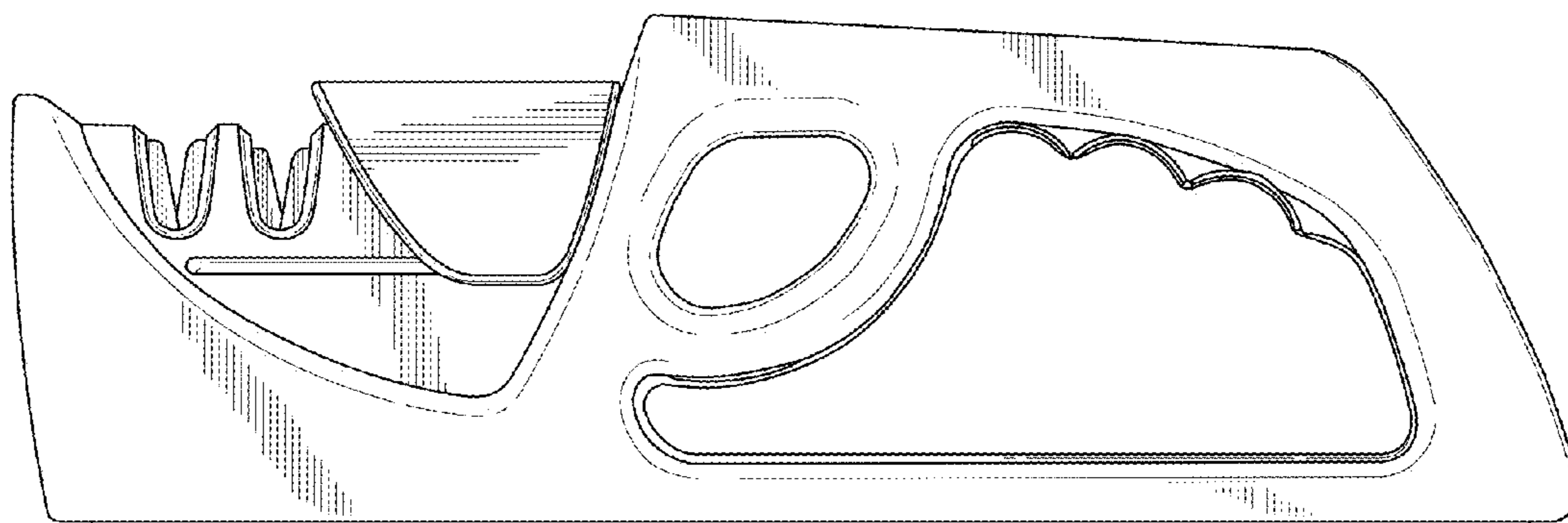


FIG. 1

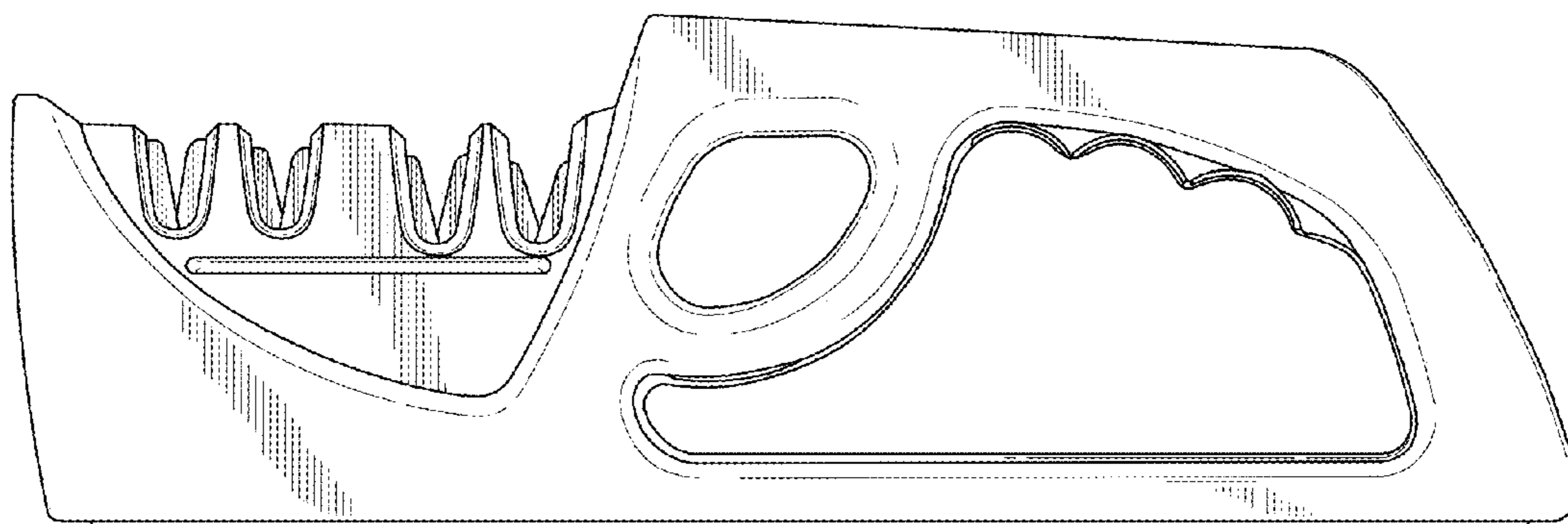


FIG. 2

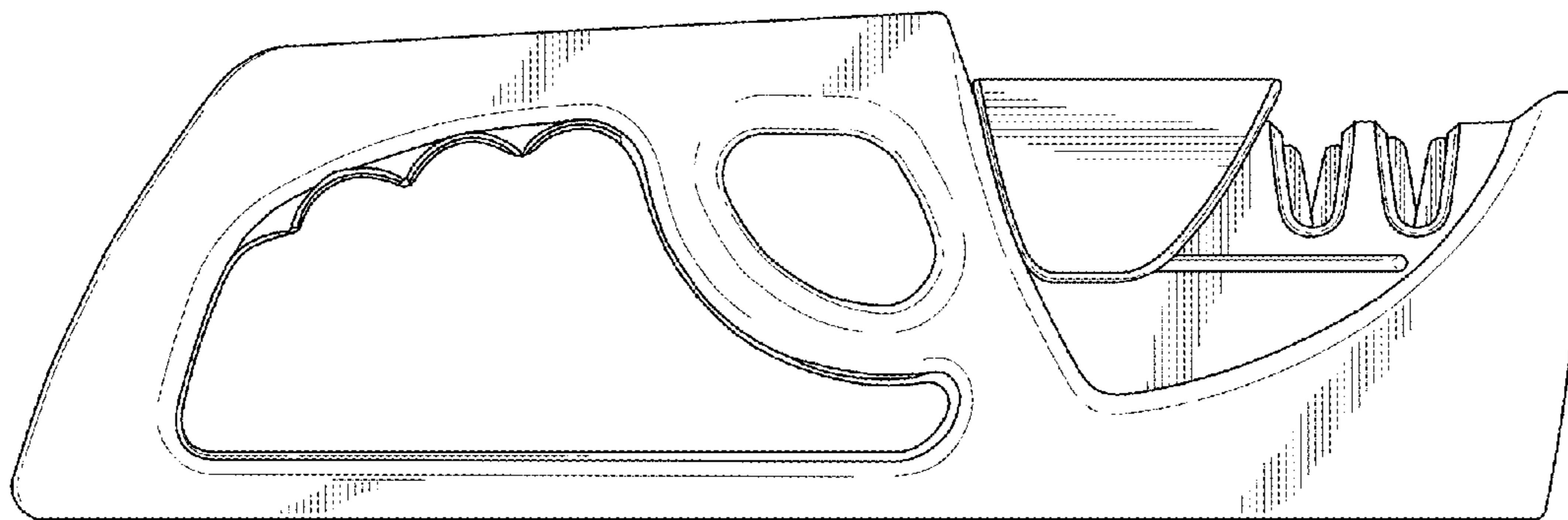


FIG. 3

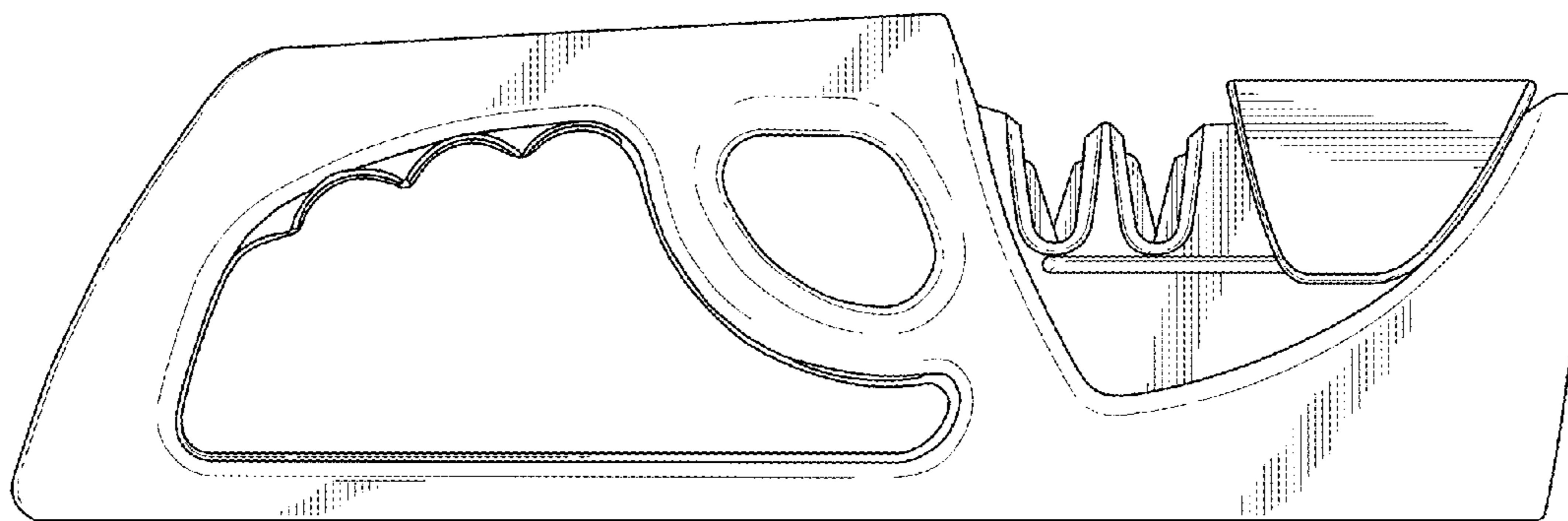


FIG. 4

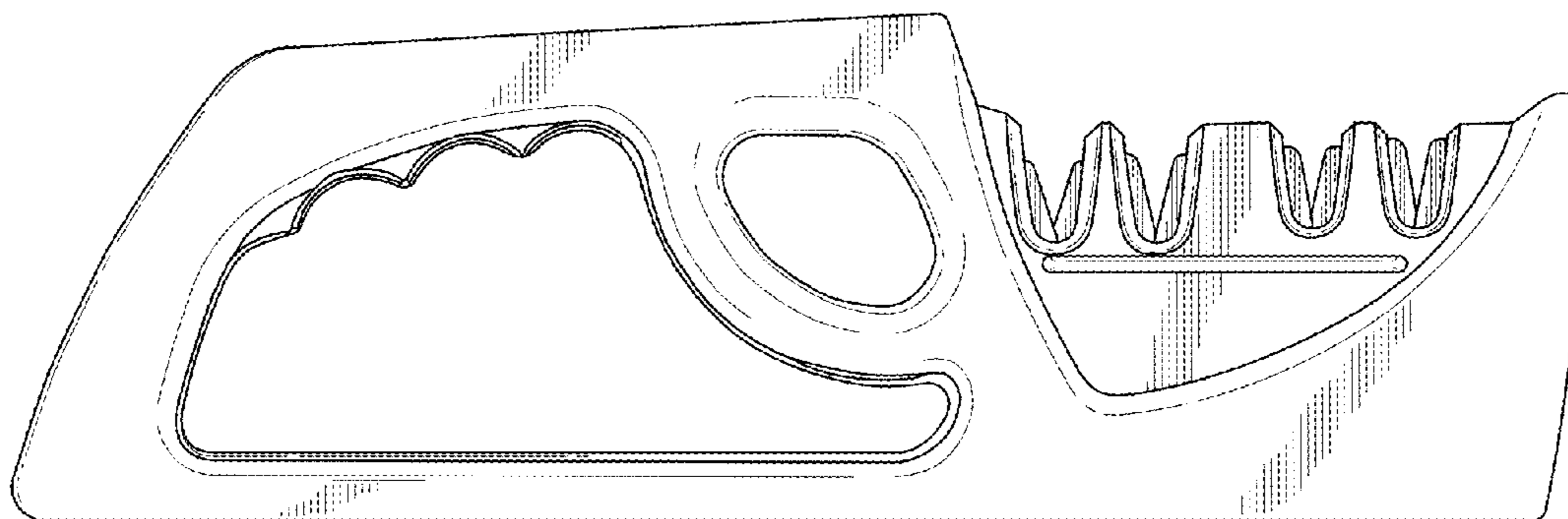


FIG. 5

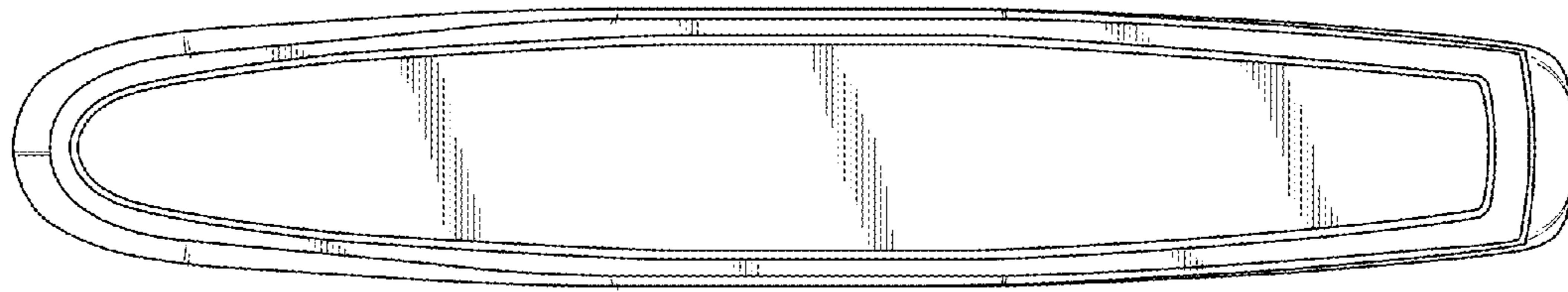


FIG. 6

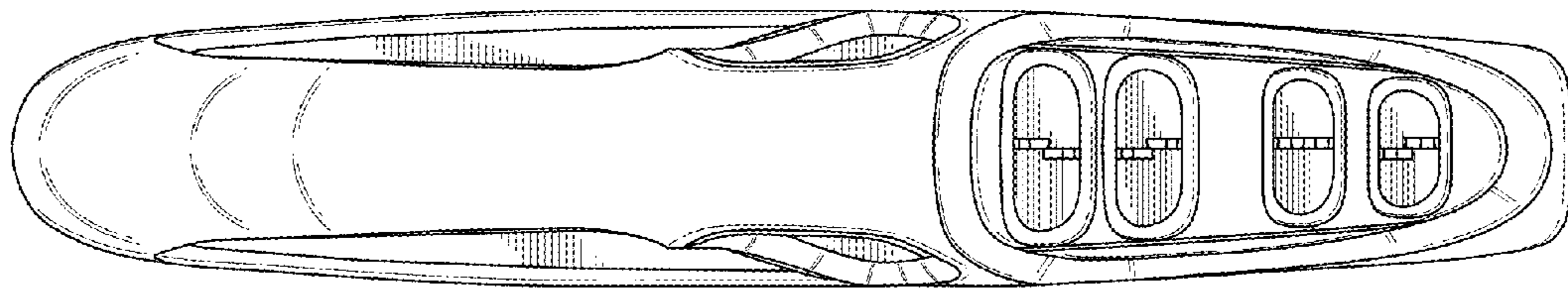


FIG. 7

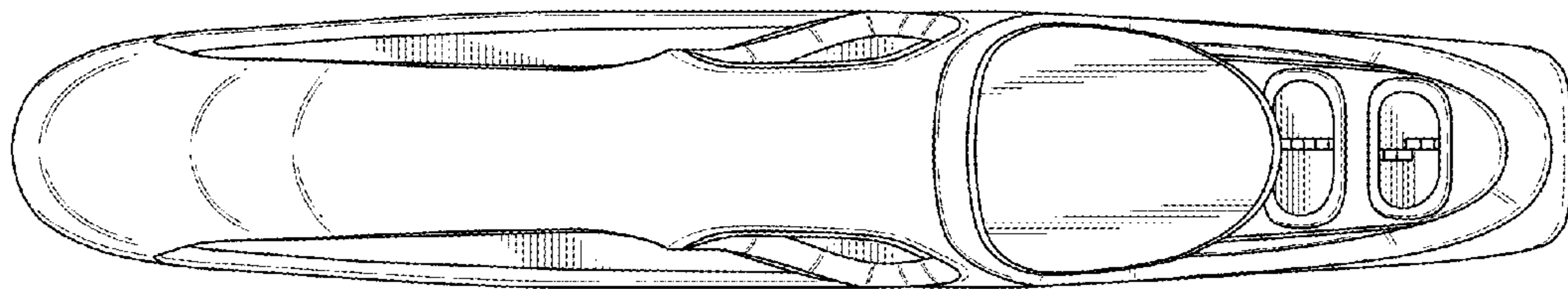


FIG. 8

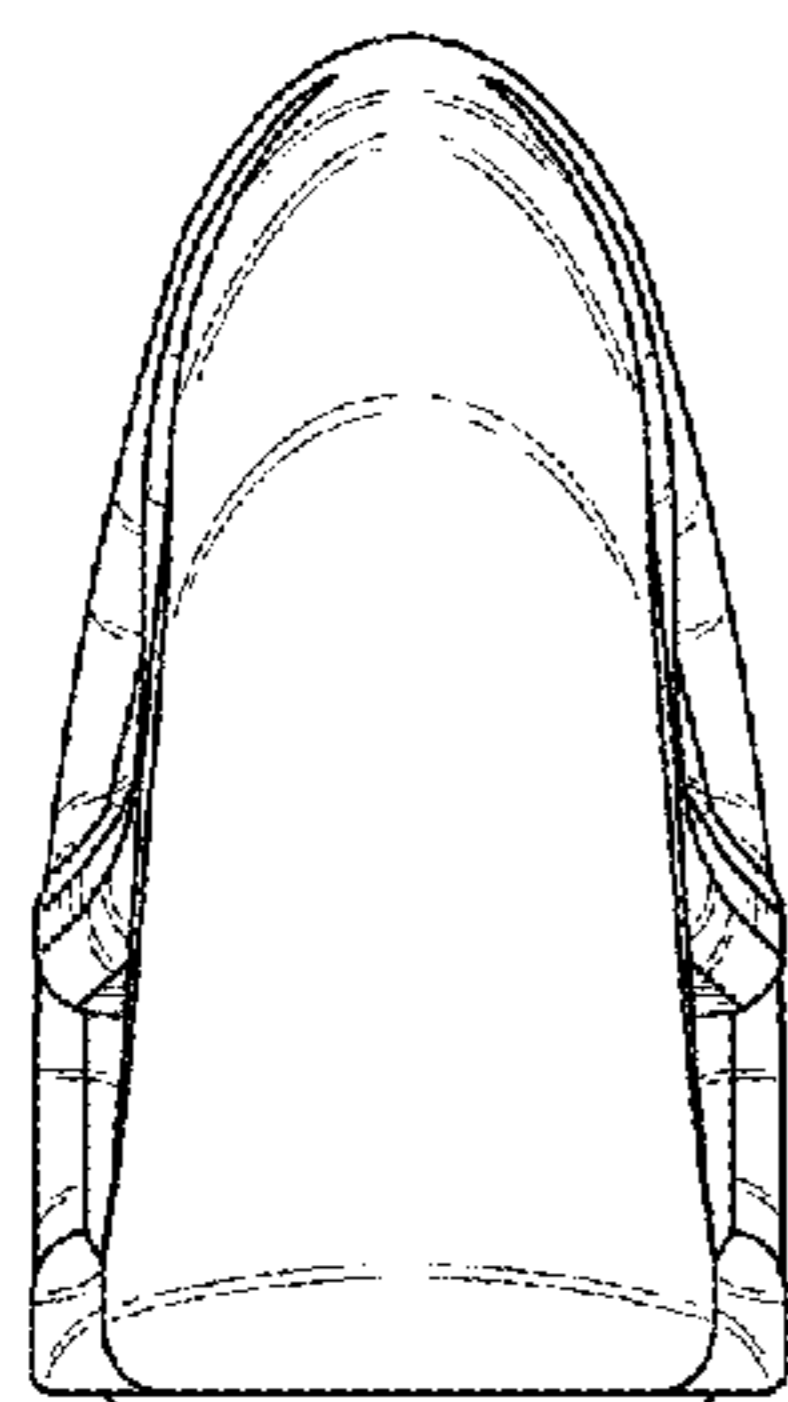


FIG. 9

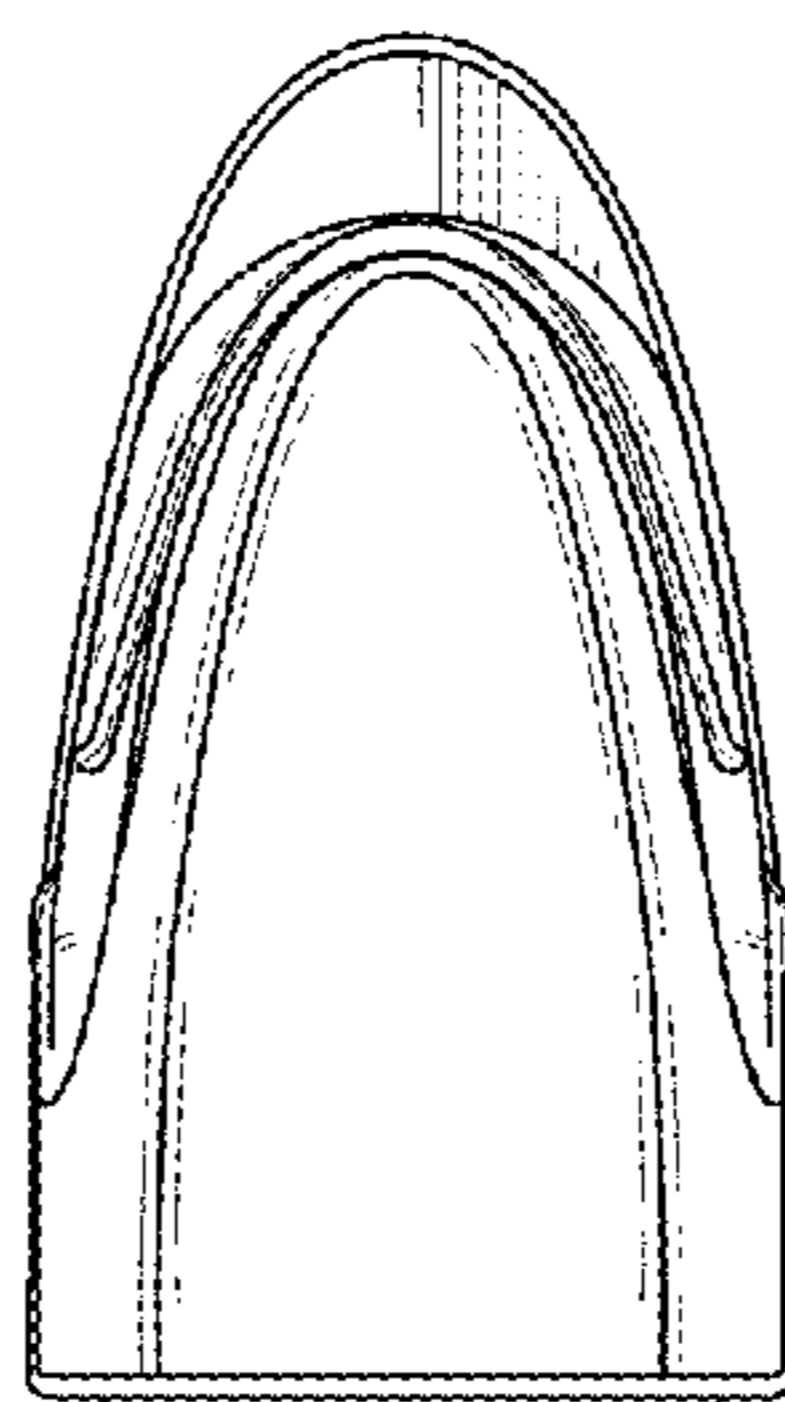


FIG. 10

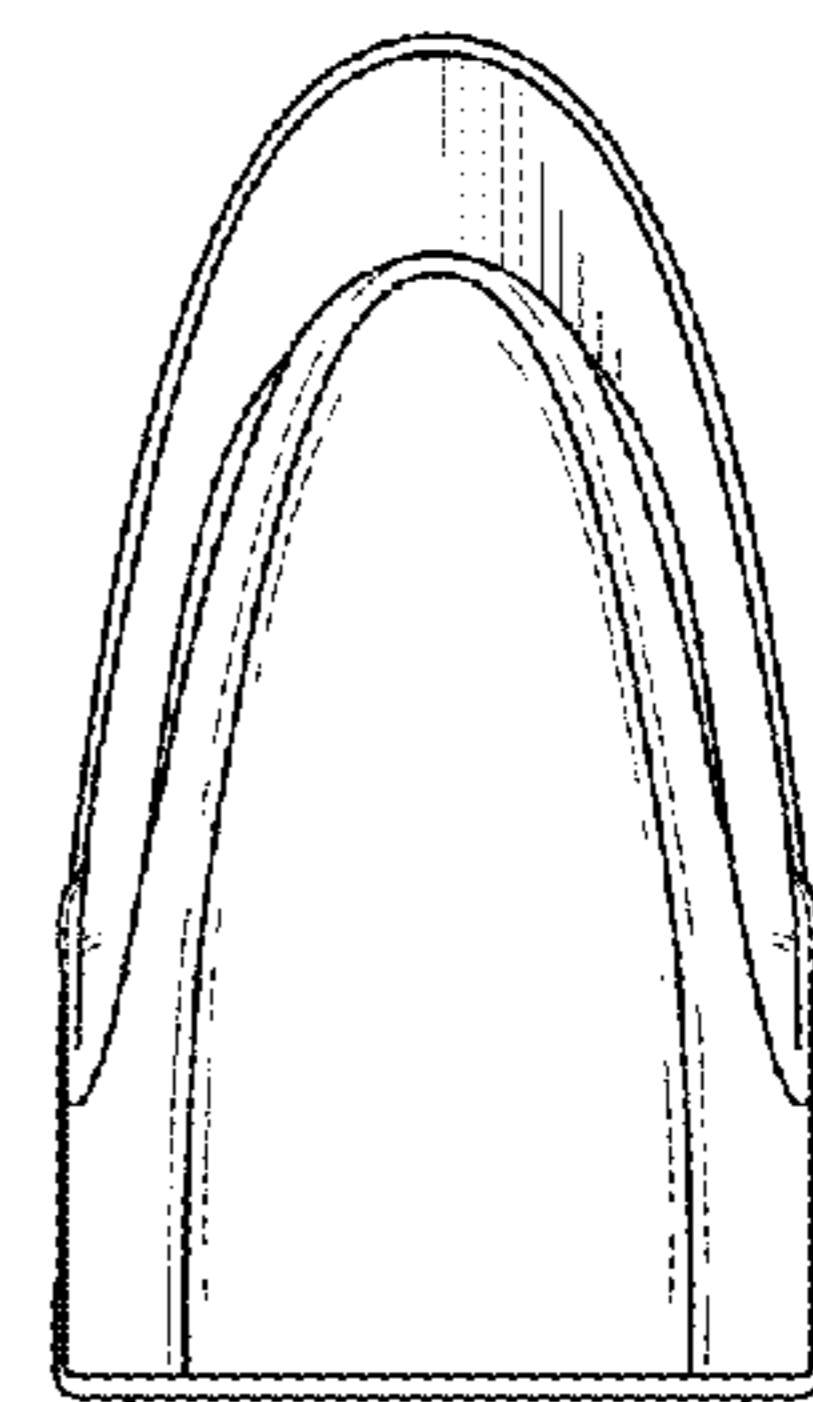


FIG. 11

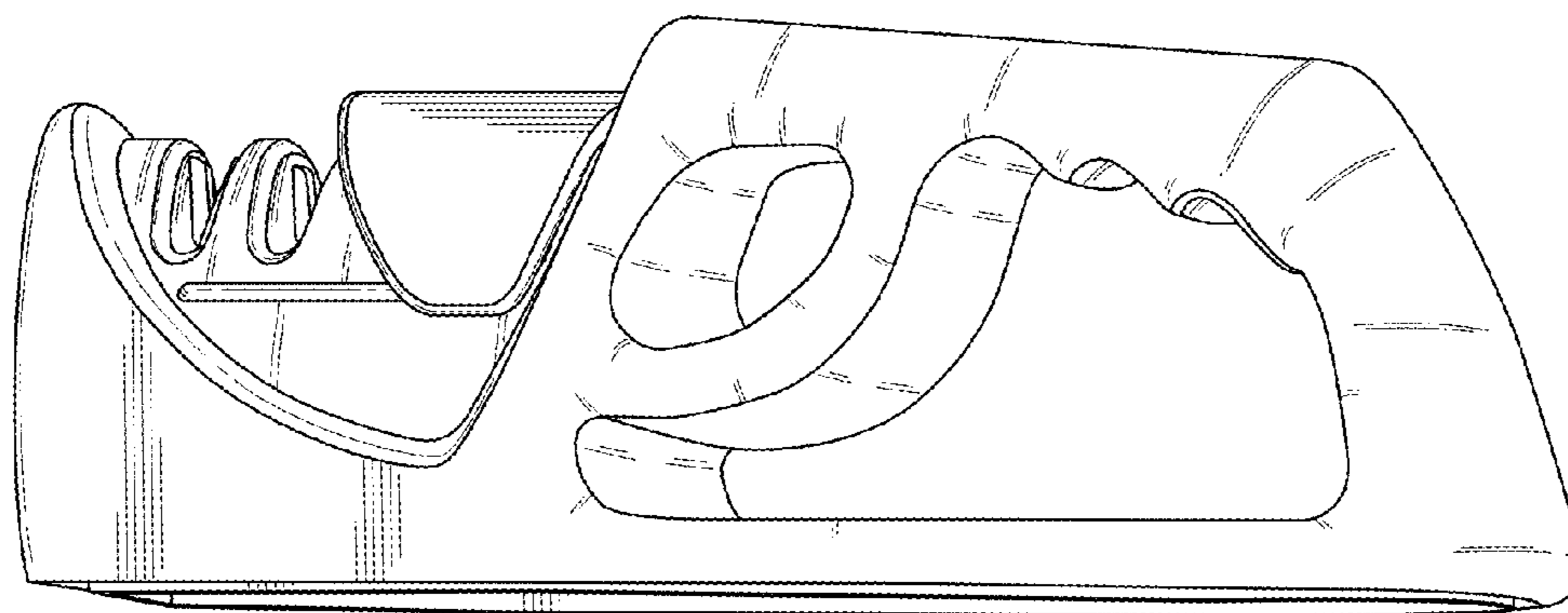


FIG. 12

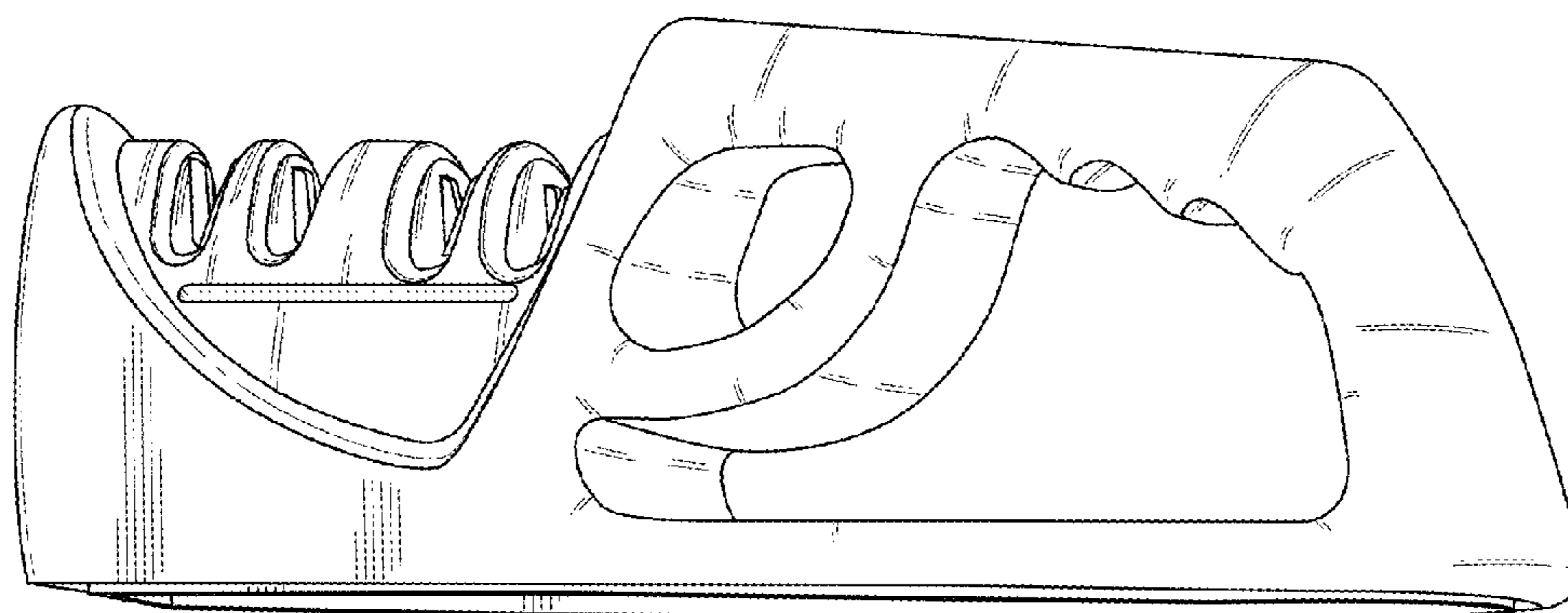


FIG. 13

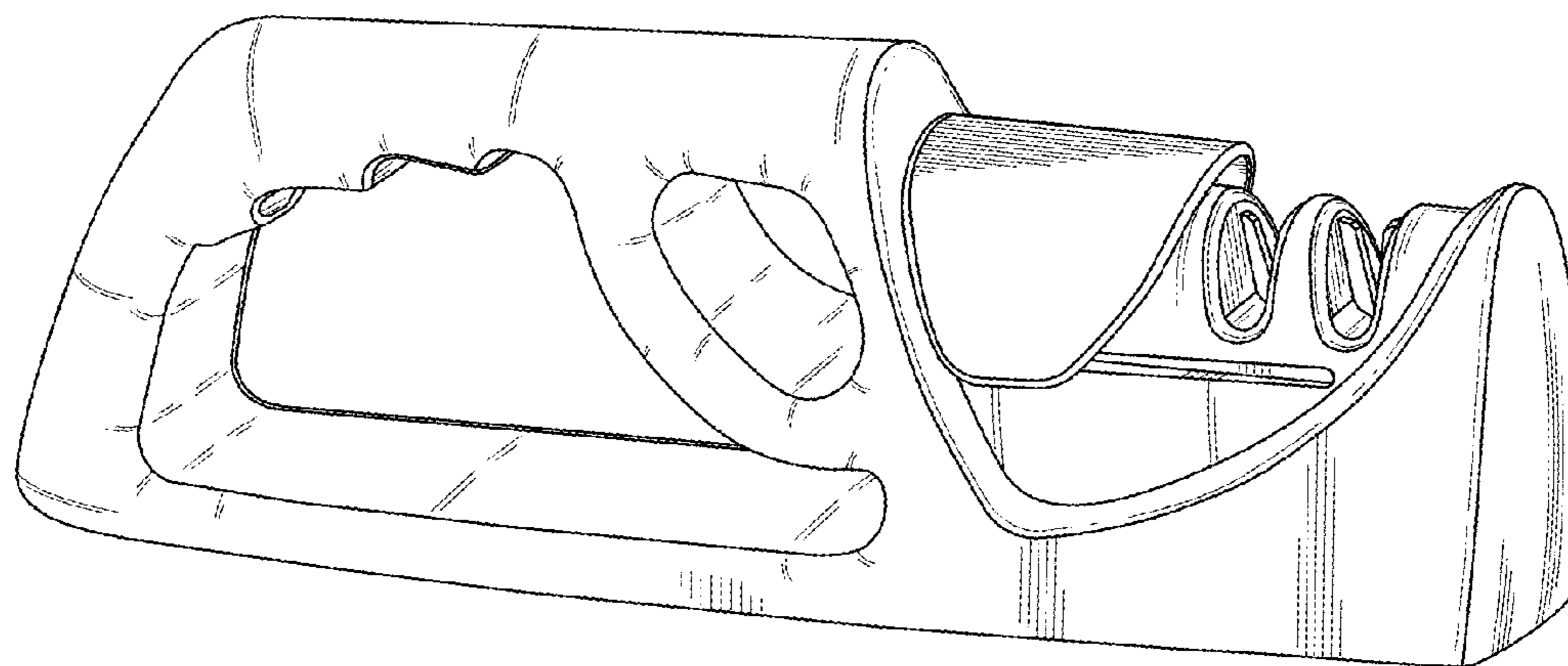


FIG. 14

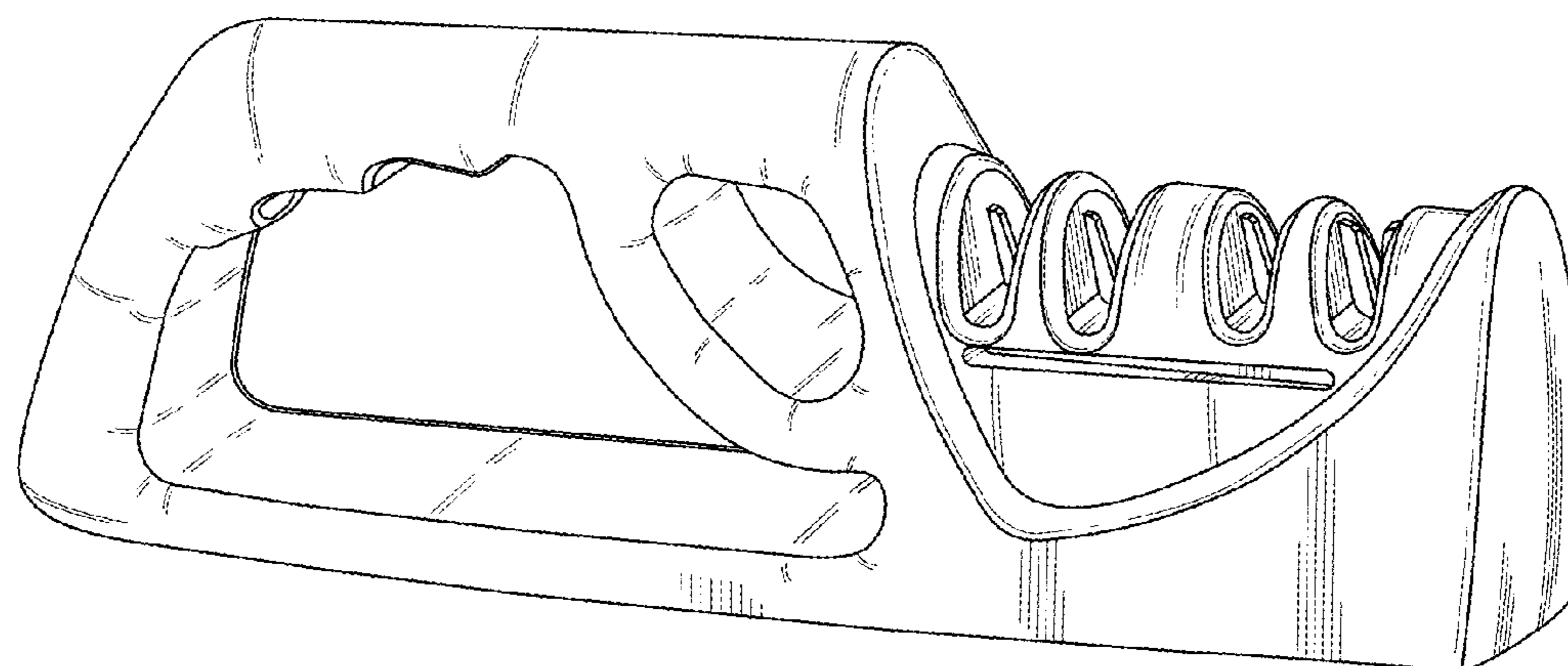


FIG. 15

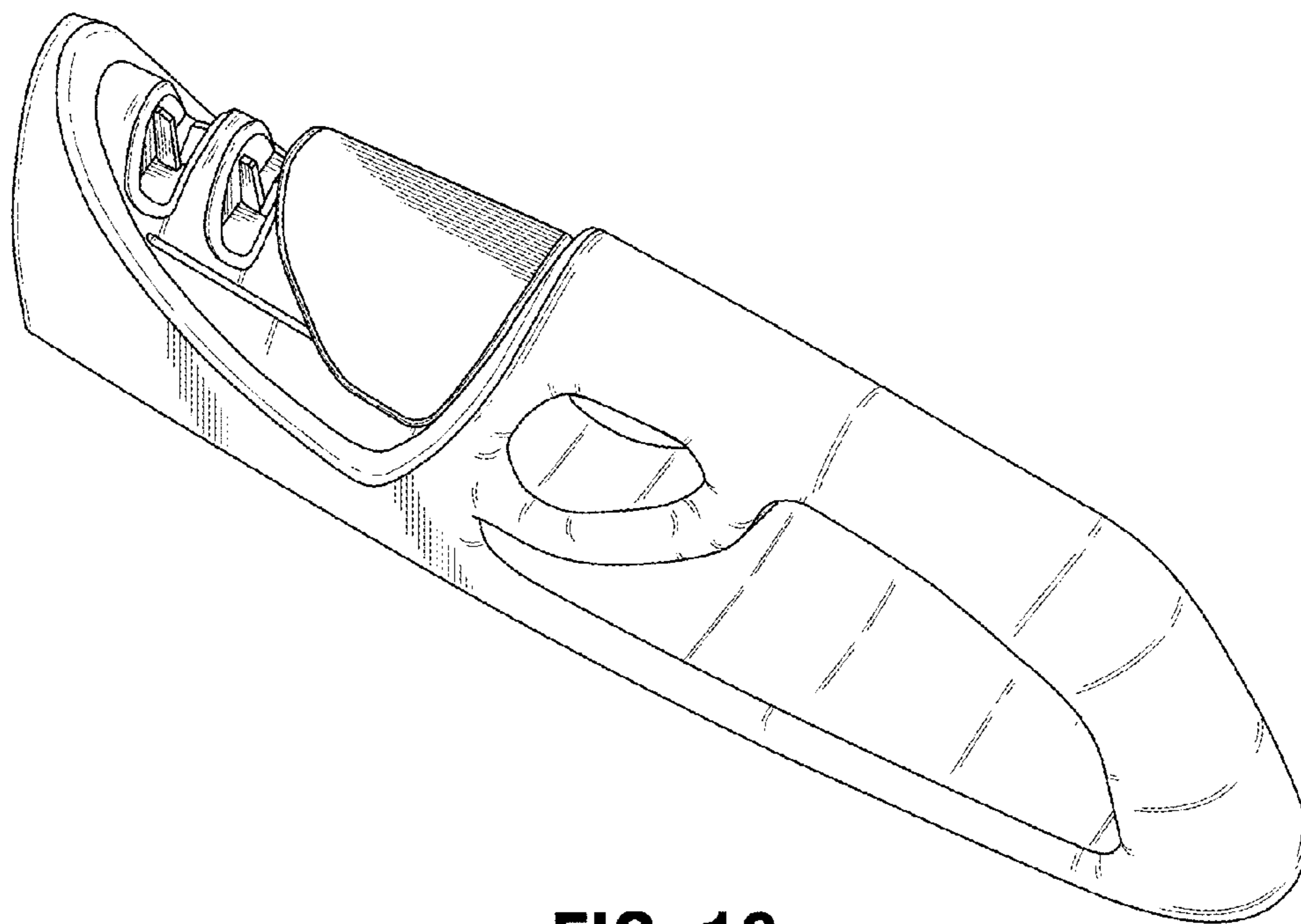


FIG. 16

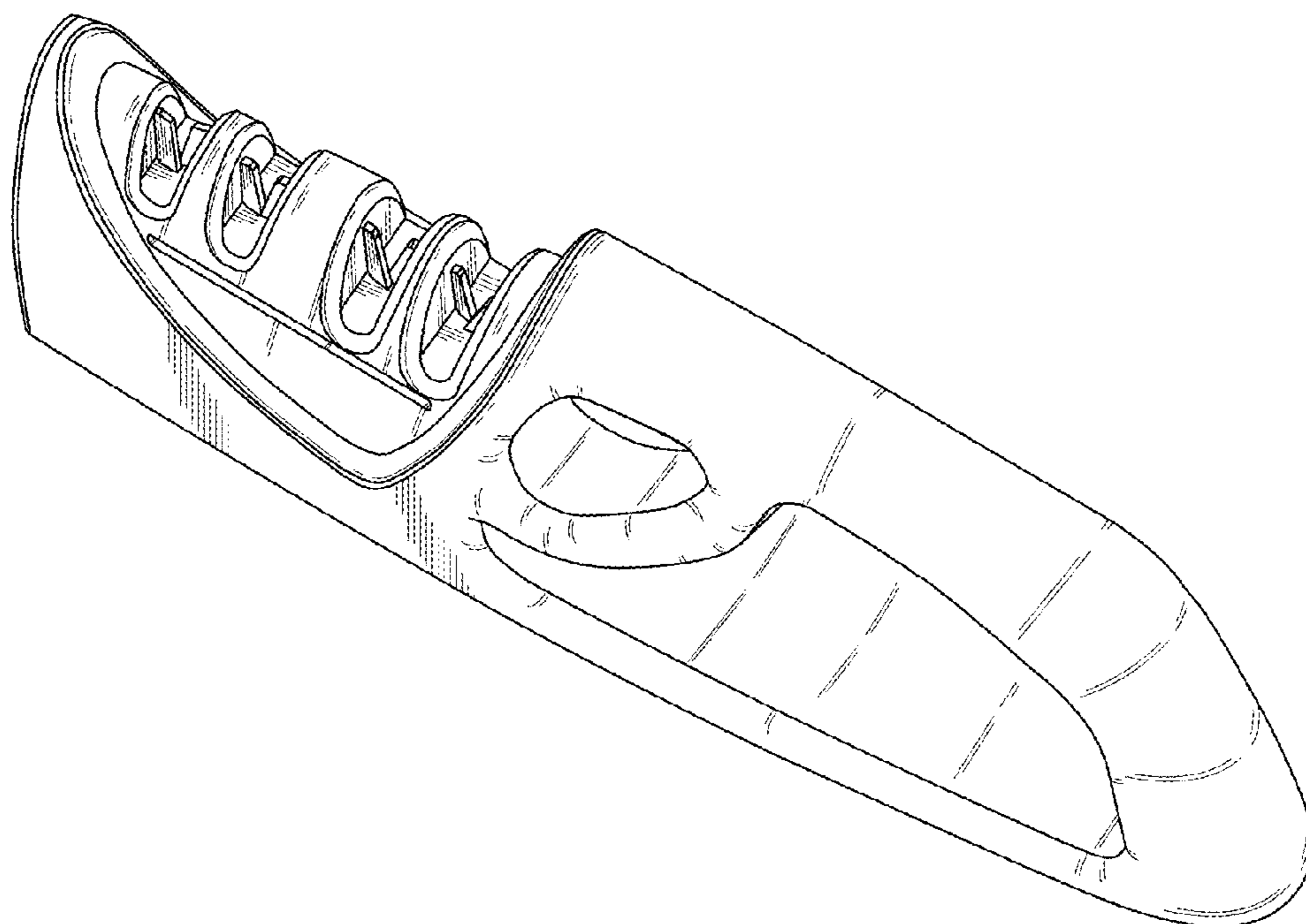


FIG. 17