



US00D763649S

(12) **United States Design Patent**  
**Stinson**

(10) **Patent No.:** **US D763,649 S**

(45) **Date of Patent:** **\*\* Aug. 16, 2016**

(54) **HAMMER HEAD**

(71) Applicant: **MADI, LLC**, Greenville, SC (US)

(72) Inventor: **Ralph Dudley Stinson**, Lutz, FL (US)

(73) Assignee: **MADI, LLC**, Greenville, SC (US)

(\*\*) Term: **14 Years**

(21) Appl. No.: **29/524,629**

(22) Filed: **Apr. 22, 2015**

(51) **LOC (10) Cl.** ..... **08-02**

(52) **U.S. Cl.**  
USPC ..... **D8/78; D8/77**

(58) **Field of Classification Search**  
USPC ..... D8/75, 76, 77, 78, 79, 80, 81, 14  
CPC ..... B25G 3/34; B25G 1/02; B25D 1/00;  
B25D 1/14; B25D 1/16; B25D 1/10  
See application file for complete search history.

(56) **References Cited**

**U.S. PATENT DOCUMENTS**

- D142,772 S \* 11/1945 Cline ..... D8/77
- 3,792,725 A \* 2/1974 Burgeson ..... B25G 3/34  
473/310
- 4,633,741 A \* 1/1987 Yang ..... B25G 1/01  
81/19
- D531,001 S \* 10/2006 Chen ..... D8/78

- D566,509 S \* 4/2008 Vanderbeek ..... D8/75
- D574,690 S \* 8/2008 Chen ..... D8/77
- D705,032 S \* 5/2014 Vazikas ..... D8/78

\* cited by examiner

*Primary Examiner* — Phillip S Hyder

(74) *Attorney, Agent, or Firm* — Trego, Hines & Ladenheim, PLLC; Brandon Trego; Jonathan Hines

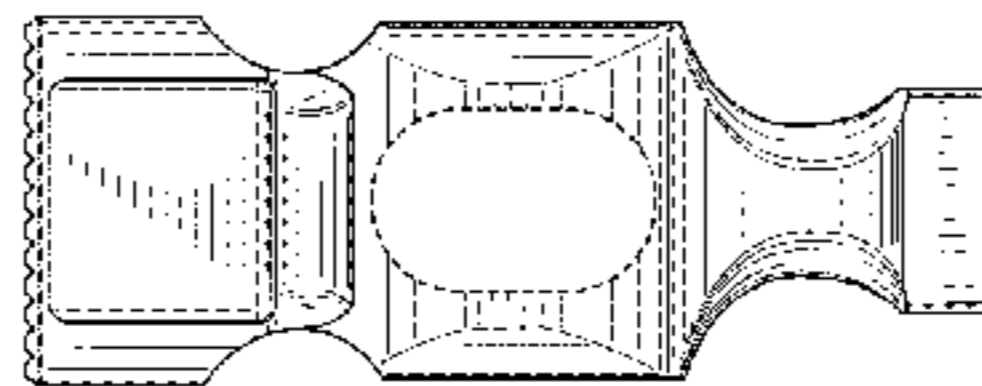
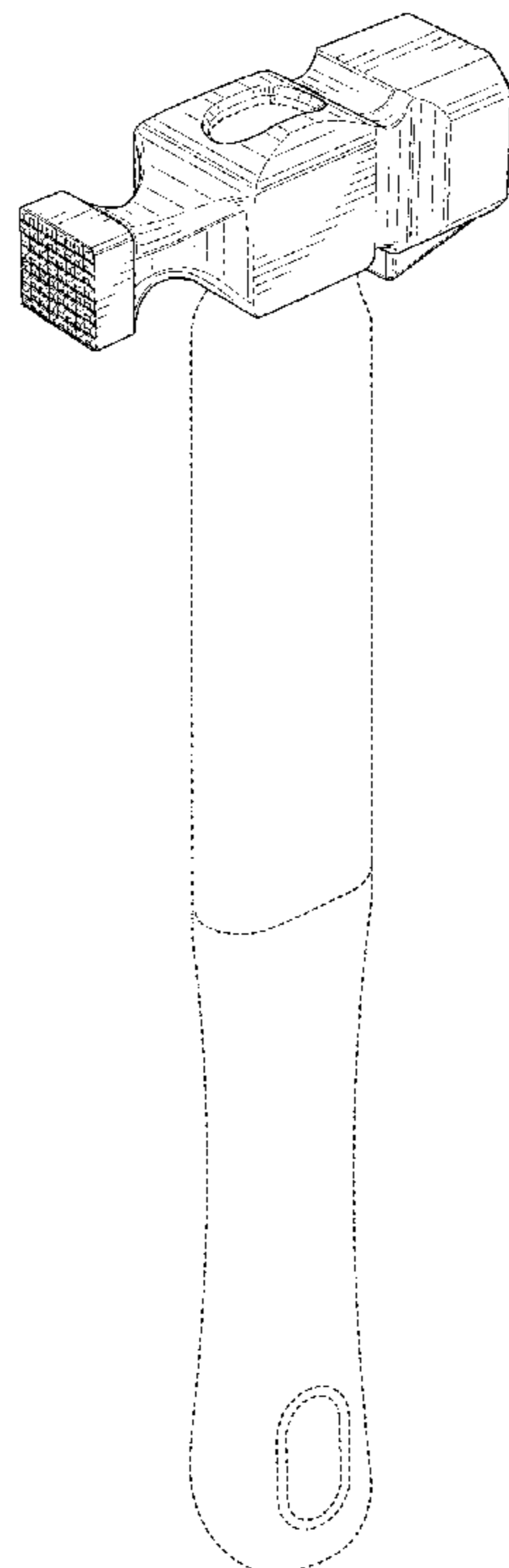
(57) **CLAIM**

I claim the ornamental design for a hammer head, as shown and described.

**DESCRIPTION**

FIG. 1 is a perspective view of a hammer, showing my design; FIG. 2 is a left side elevation of the hammer of FIG. 1; FIG. 3 is a right side elevation of the hammer of FIG. 1; FIG. 4 is a rear view of the hammer of FIG. 1; FIG. 5 is a front view of the hammer of FIG. 1; FIG. 6 is a top view of the hammer of FIG. 1; FIG. 7 is a bottom view of the hammer of FIG. 1; FIG. 8 is a perspective view of a hammer, showing my design; FIG. 9 is a left side elevation of the hammer of FIG. 8; FIG. 10 is a right side elevation of the hammer of FIG. 8; FIG. 11 is a rear view of the hammer of FIG. 8; FIG. 12 is a front view of the hammer of FIG. 8; FIG. 13 is a top view of the hammer of FIG. 8; and, FIG. 14 is a bottom view of the hammer of FIG. 8. The broken line showing of the handle is provided for purposes of environment and forms no part of the claimed design.

**1 Claim, 10 Drawing Sheets**



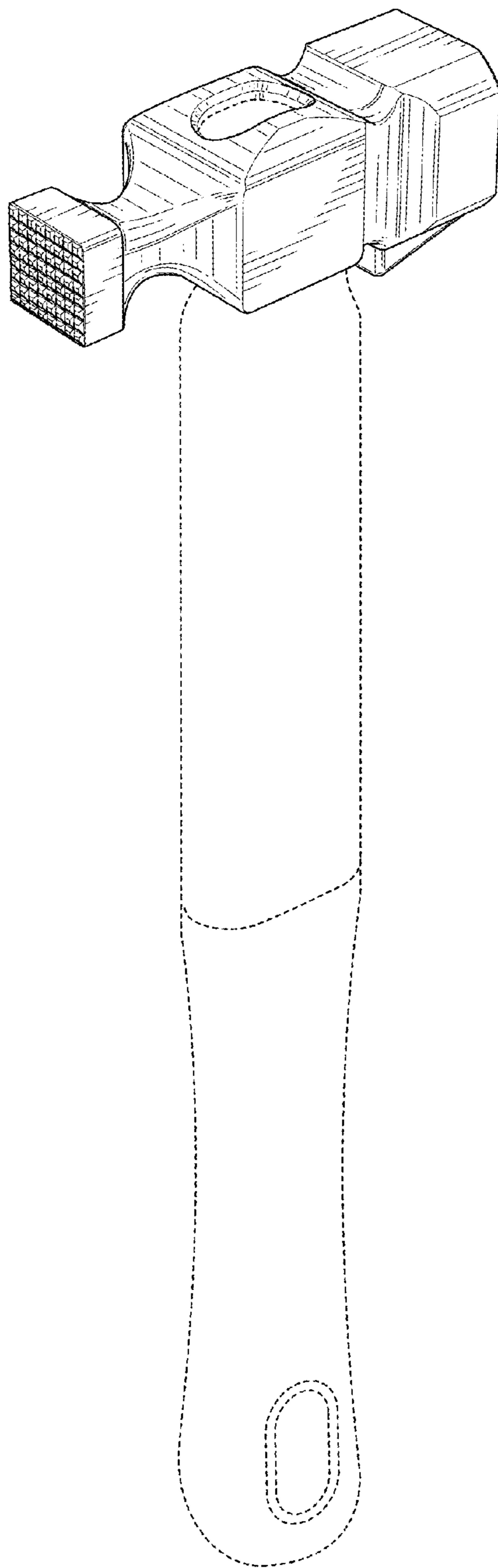


FIG. 1

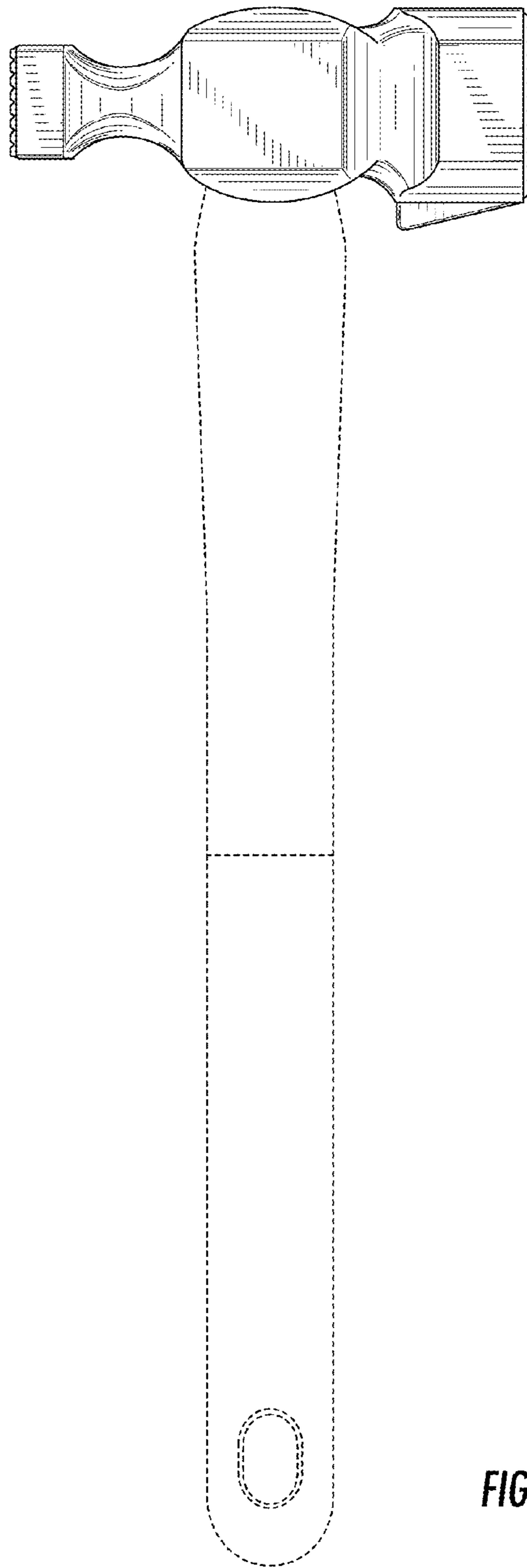


FIG. 2

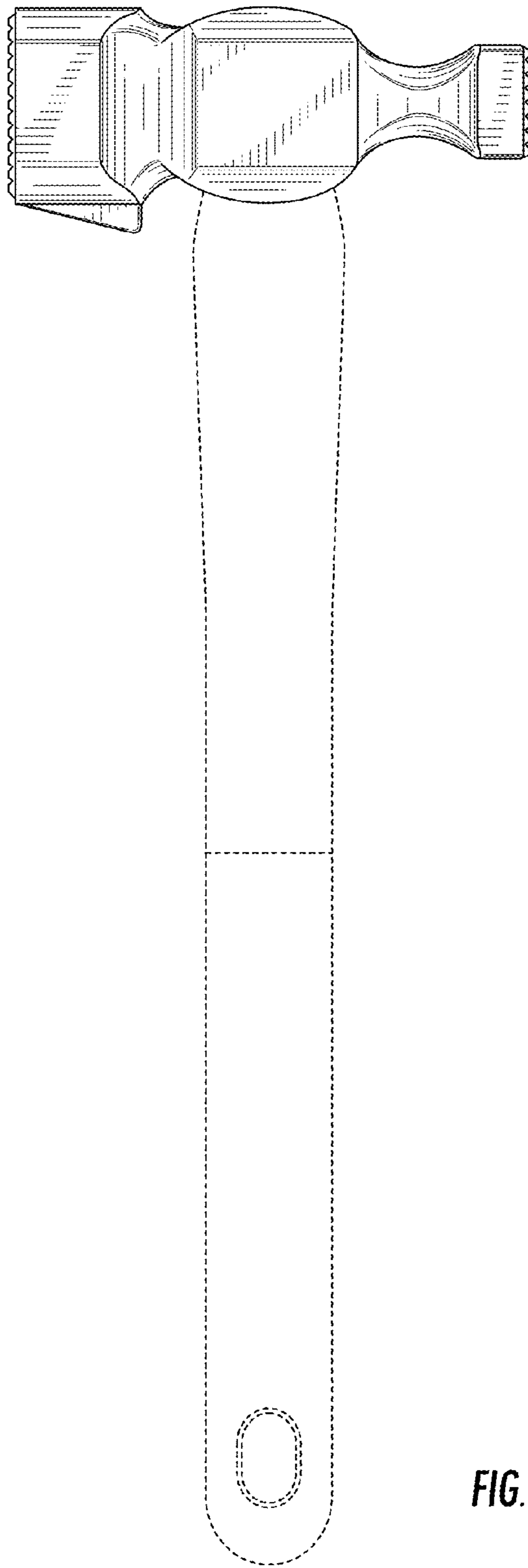
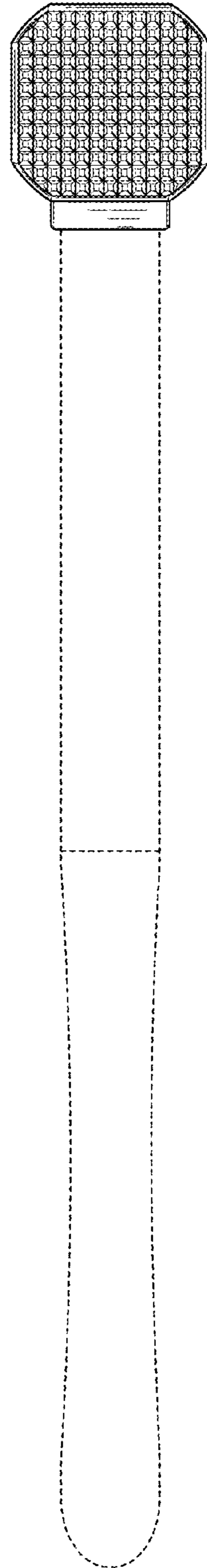
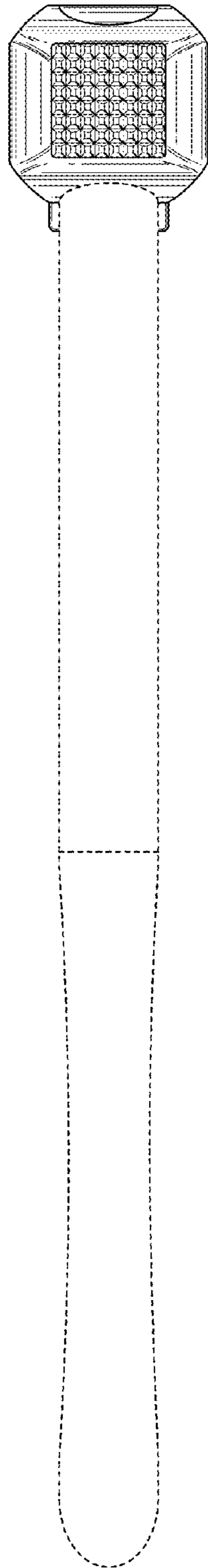
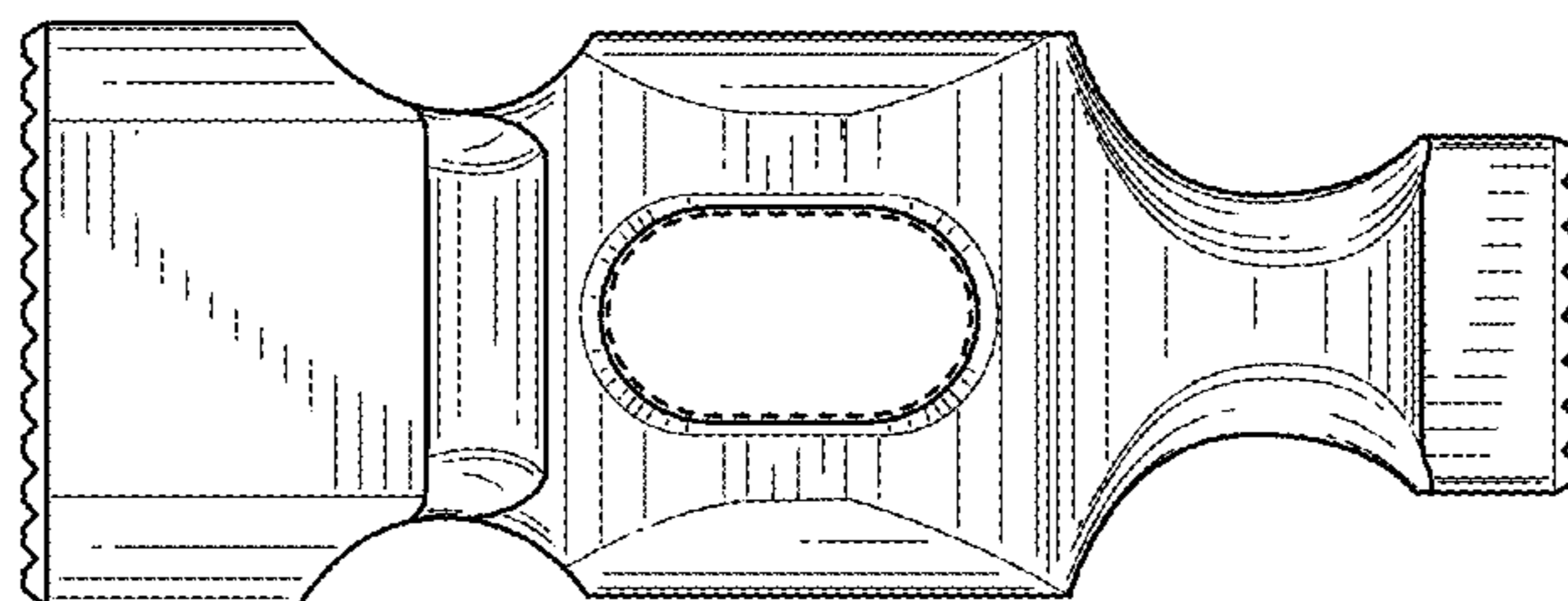
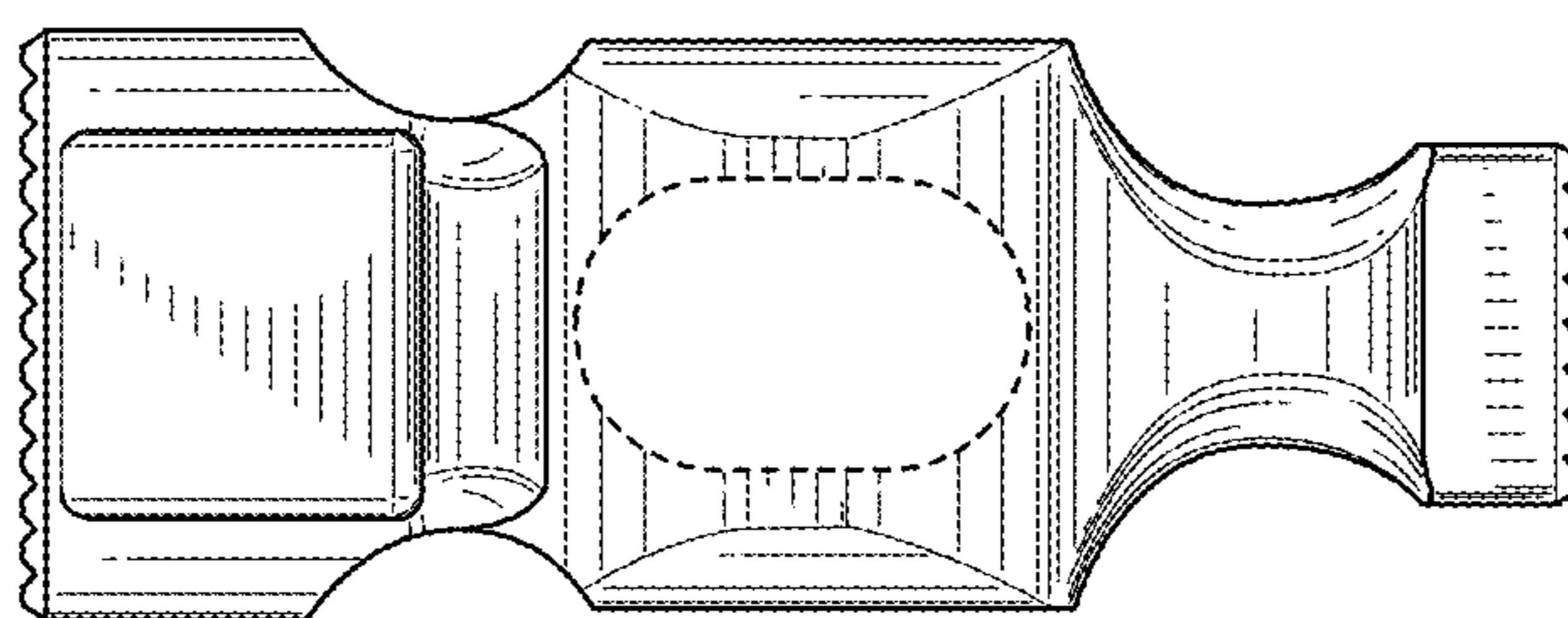


FIG. 3





**FIG. 6**



**FIG. 7**

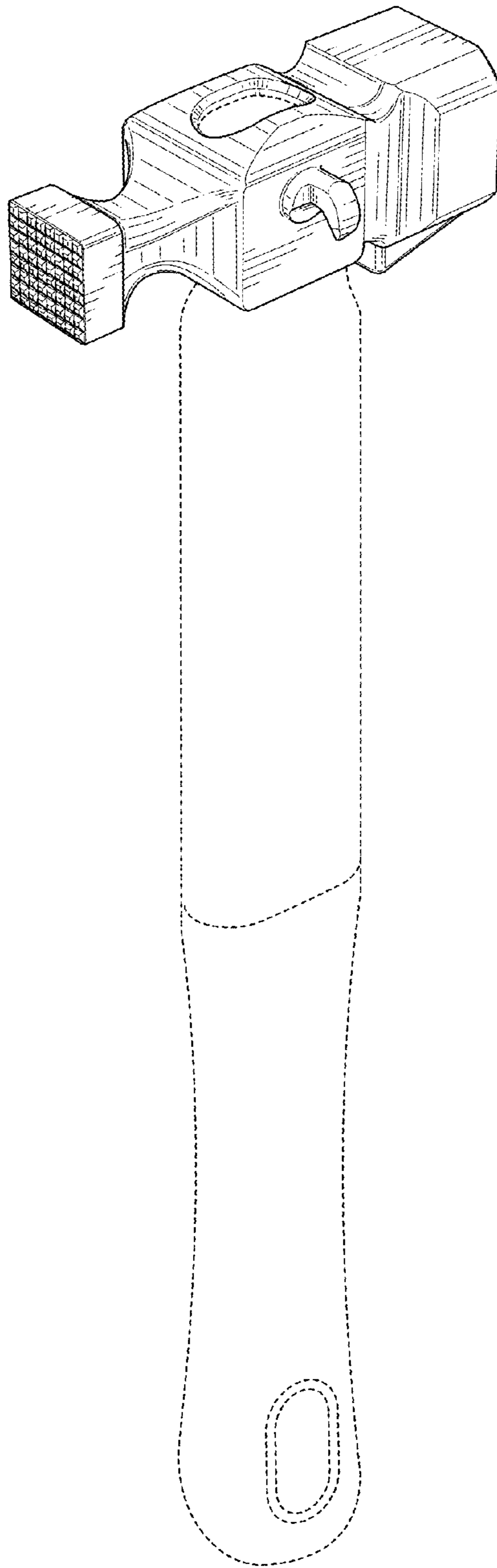


FIG. 8



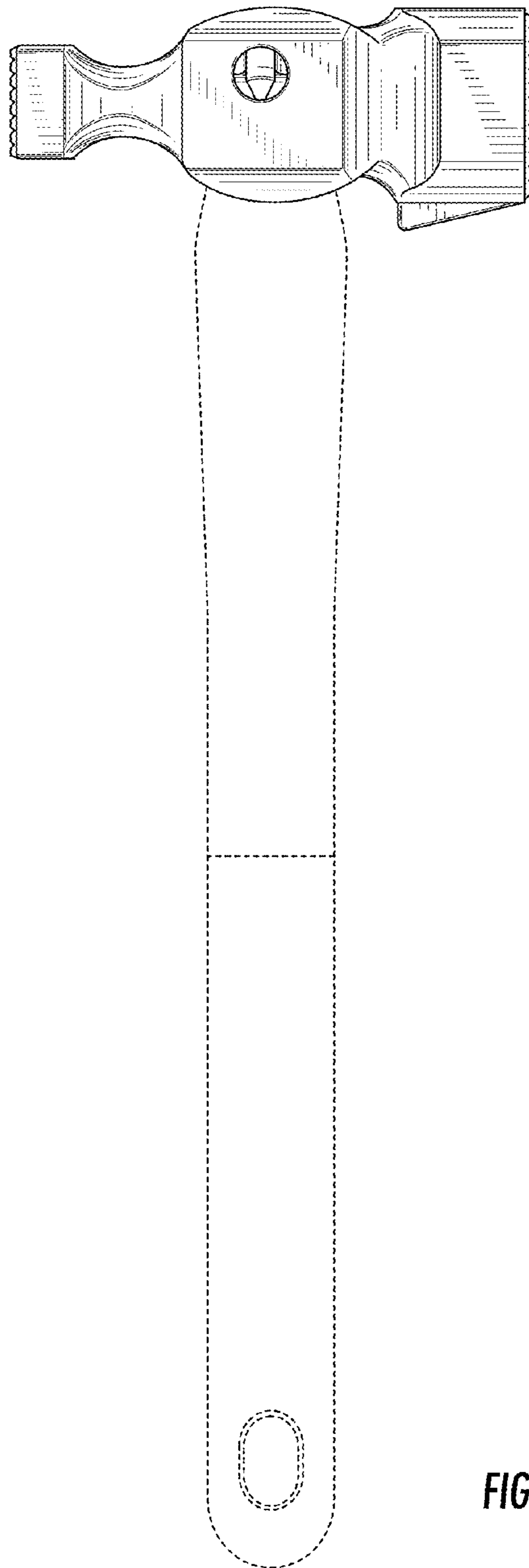


FIG. 9



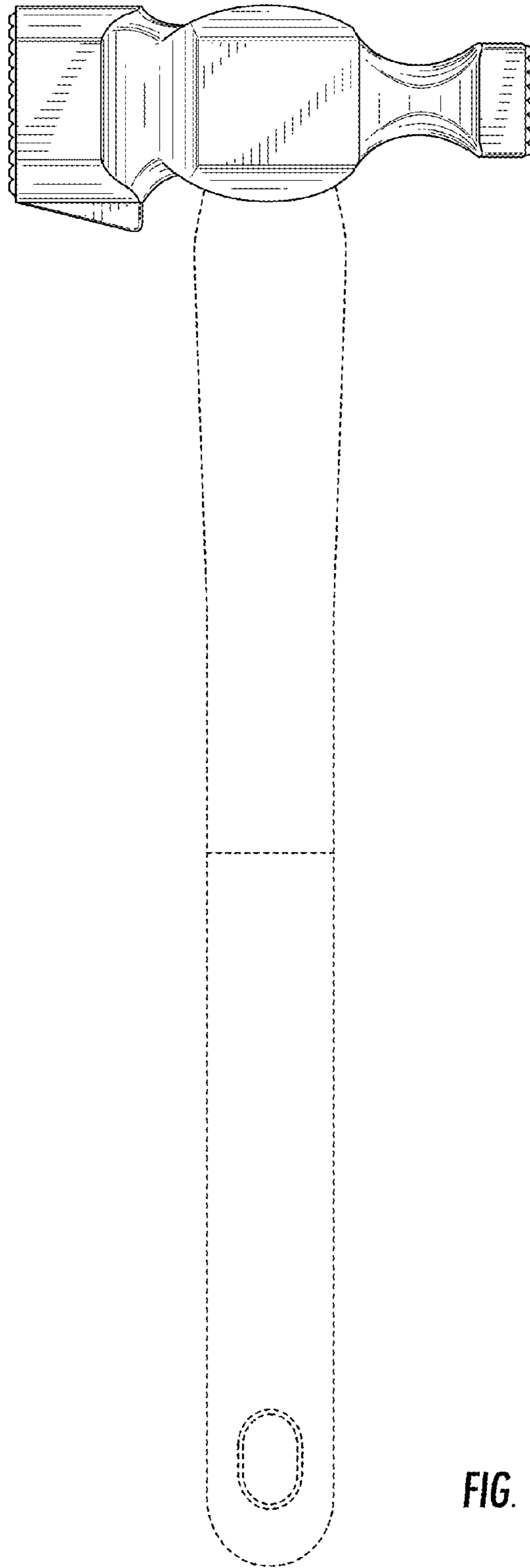
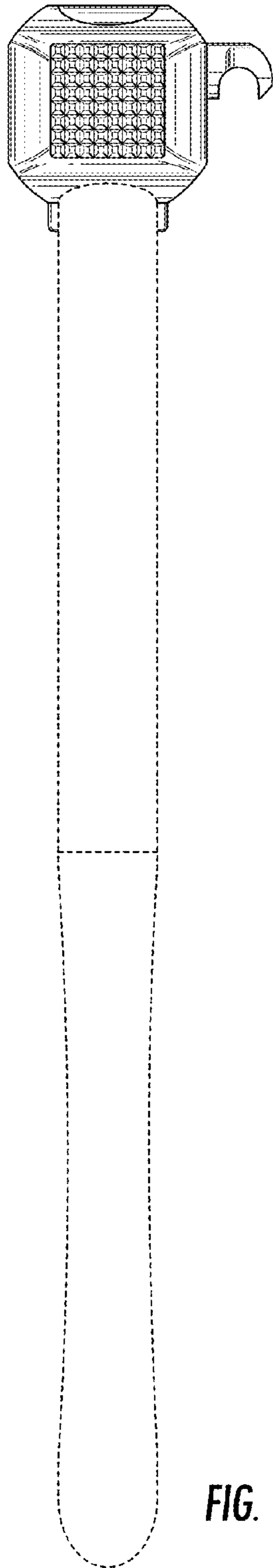
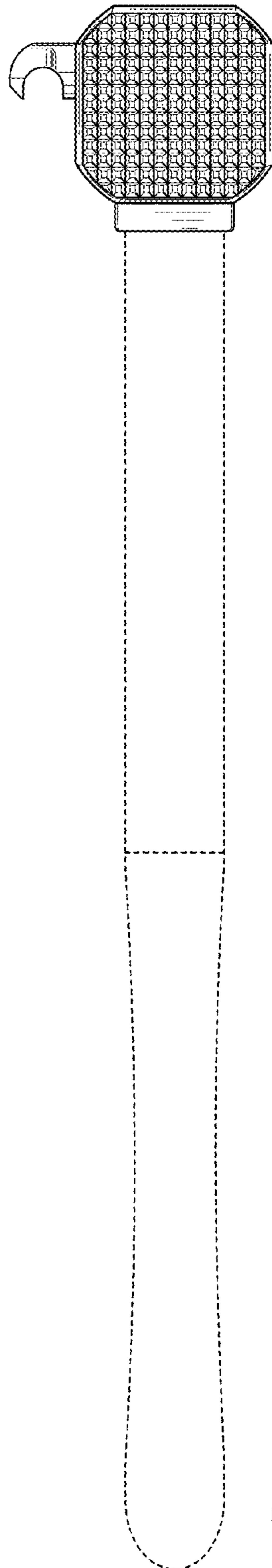


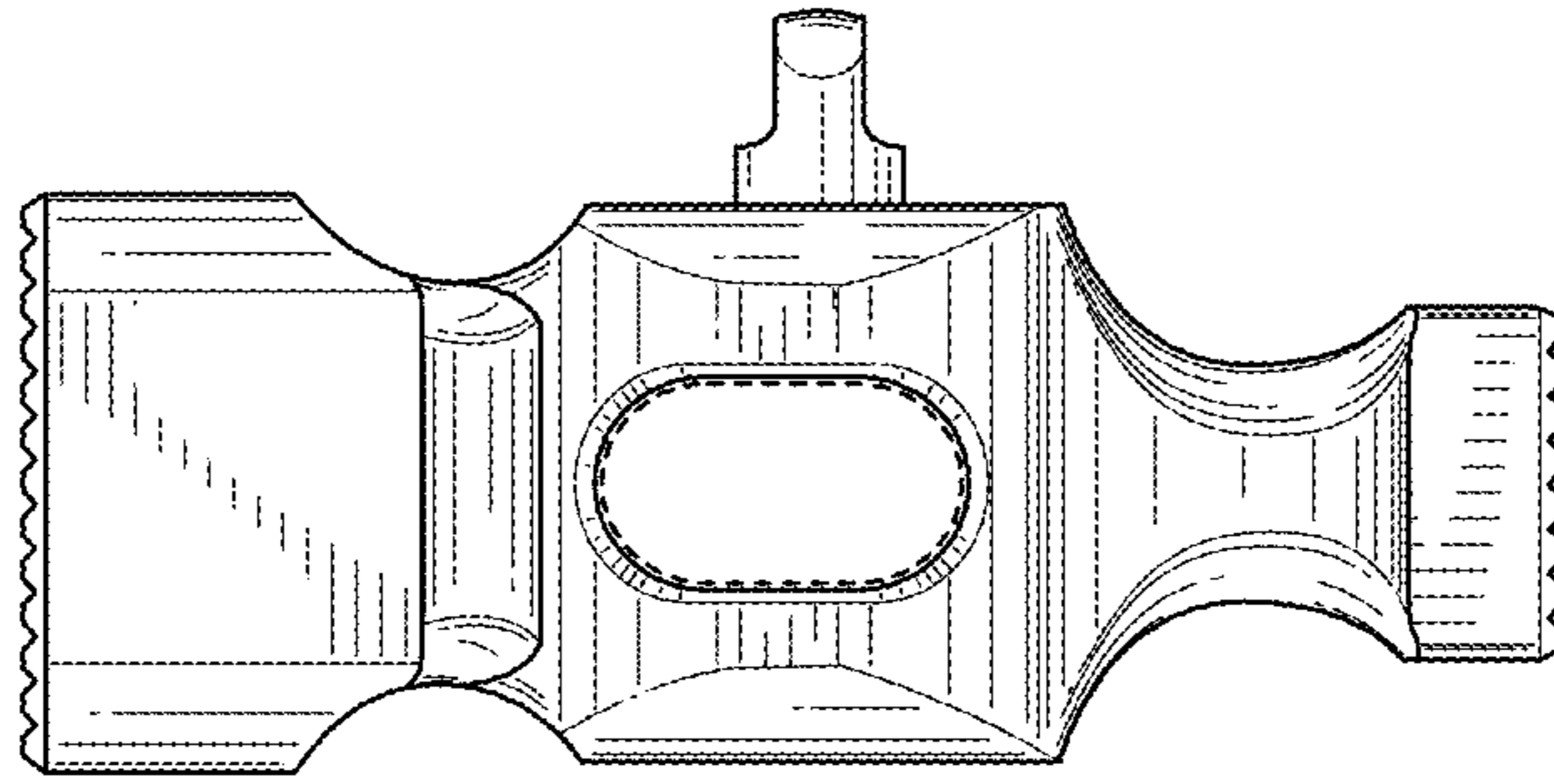
FIG. 10



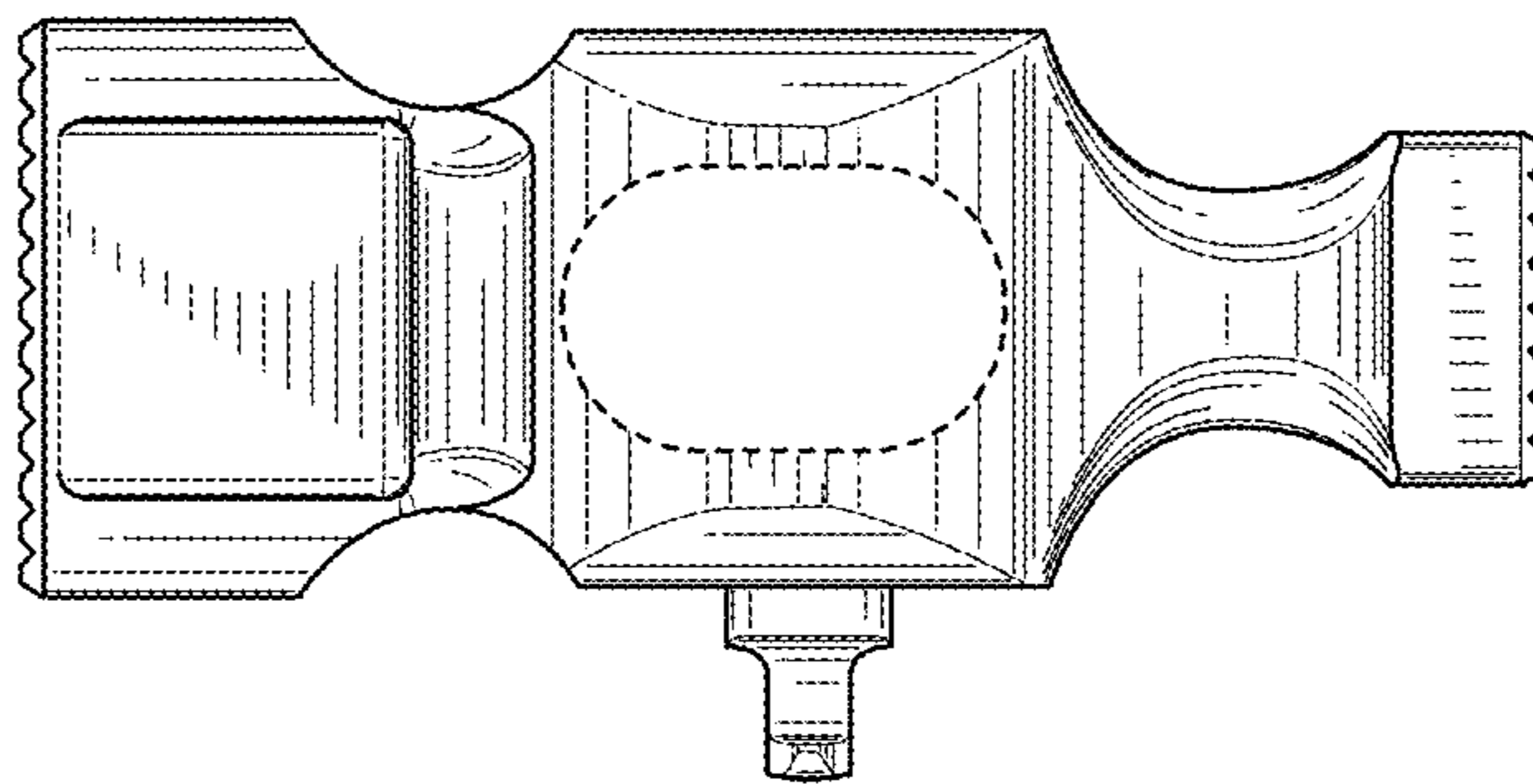
**FIG. 11**



**FIG. 12**



**FIG. 13**



**FIG. 14**