



US00D763647S

(12) **United States Design Patent**
Caglar

(10) **Patent No.:** **US D763,647 S**
(45) **Date of Patent:** **** Aug. 16, 2016**

- (54) **CUTTING TOOL HANDLE**
- (71) Applicant: **Stanley Black & Decker, Inc.**, New Britain, CT (US)
- (72) Inventor: **Tolga Caglar**, Middletown, CT (US)
- (73) Assignee: **Stanley Black & Decker Inc.**, New Britain, CT (US)
- (**) Term: **15 Years**
- (21) Appl. No.: **29/527,379**
- (22) Filed: **May 19, 2015**
- (51) **LOC (10) Cl.** **08-07**
- (52) **U.S. Cl.**
USPC **D8/57**
- (58) **Field of Classification Search**
USPC D8/4, 5, 51-60, 105, 107
CPC A61B 17/2909; A61B 17/3201; B26B 13/20; B26B 13/12; B23D 29/026
See application file for complete search history.

- D180,004 S * 4/1957 Anderson D8/57
- 2,801,468 A * 8/1957 Anderson B23D 29/026 30/254
- D302,645 S * 8/1989 Passage D8/57
- 5,074,046 A * 12/1991 Kolesky B23D 29/026 30/250
- 5,197,194 A * 3/1993 Sorensen B23D 29/026 30/254
- 6,018,875 A * 2/2000 Miranda B26B 29/04 30/233
- D451,355 S * 12/2001 Dean D8/57
- D711,712 S * 8/2014 Newcomb D8/57

* cited by examiner

Primary Examiner — Deanna L Pratt

(74) *Attorney, Agent, or Firm* — Gabriel A. Haboubi

(57) **CLAIM**

The ornamental design for a cutting tool handle, as shown and described.

DESCRIPTION

FIG. 1 is a perspective view of our new design.

FIG. 2 is a left side view thereof.

FIG. 3 is a right side view thereof.

FIG. 4 is a top view thereof.

FIG. 5 is a bottom view thereof.

FIG. 6 is a front view thereof; and,

FIG. 7 is a rear view thereof.

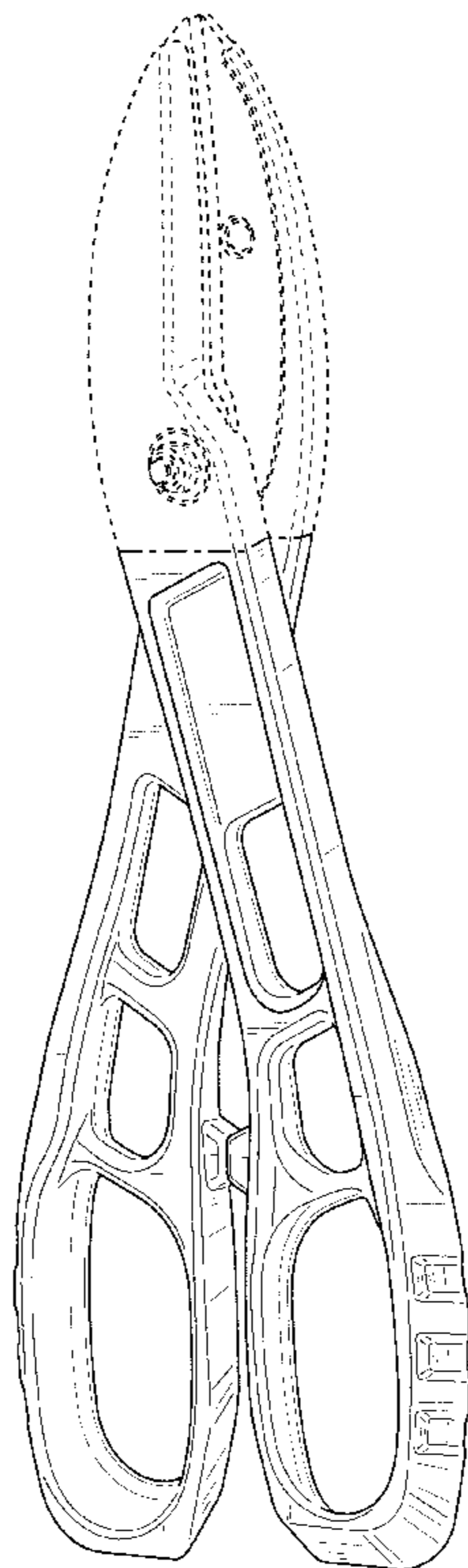
The unevenly-spaced broken lines illustrate the bounds of the claim and form no part thereof. The evenly-spaced broken lines illustrate portions of the cutting tool which form no part of the claimed design.

1 Claim, 5 Drawing Sheets

(56) **References Cited**

U.S. PATENT DOCUMENTS

- 2,078,585 A * 4/1937 Rauh B23D 29/026 30/254
- 2,343,527 A * 3/1944 Boyle B26B 13/20 30/256
- 2,680,294 A * 6/1954 Shoffner B23D 29/026 30/254



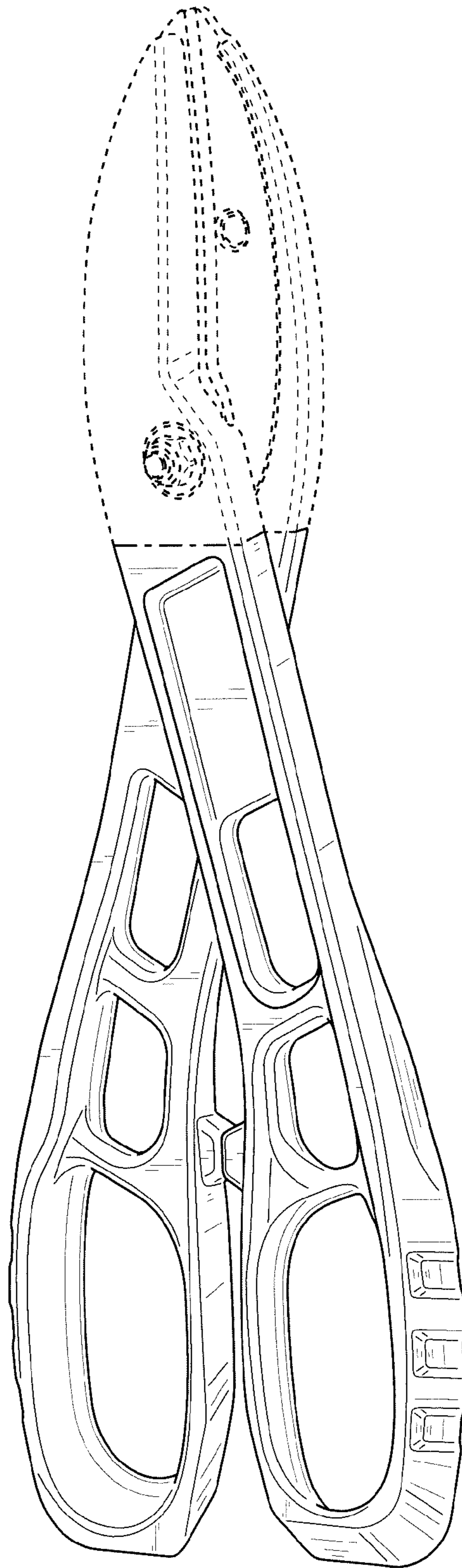


FIG. 1

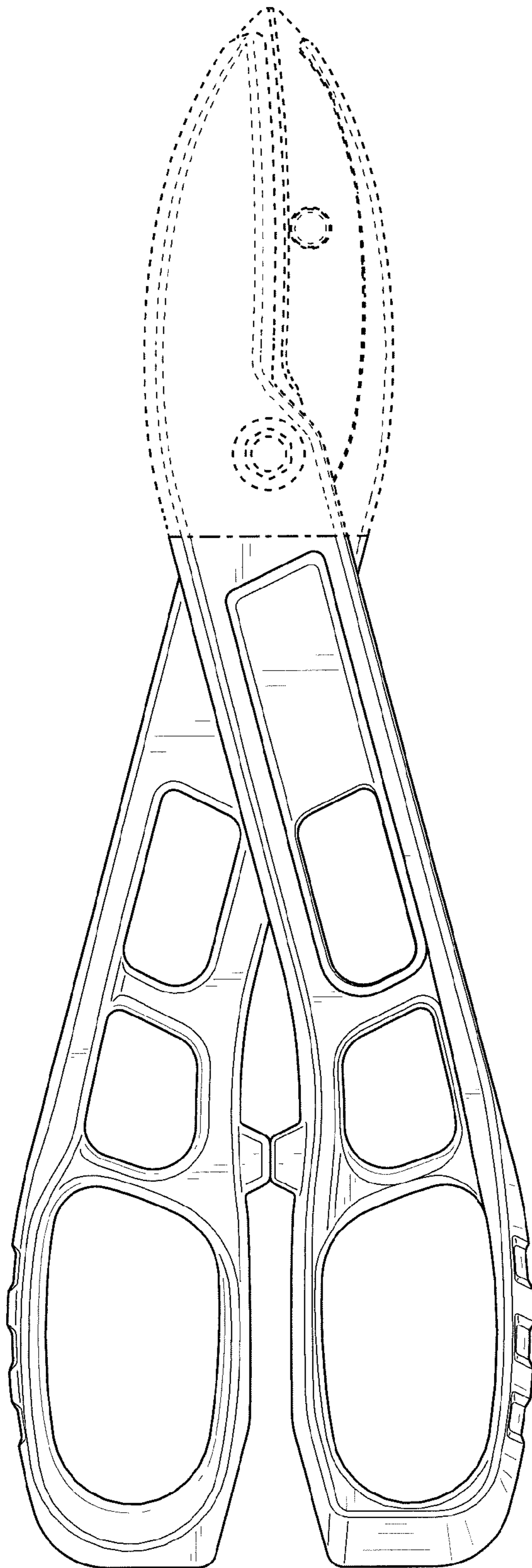


FIG. 2

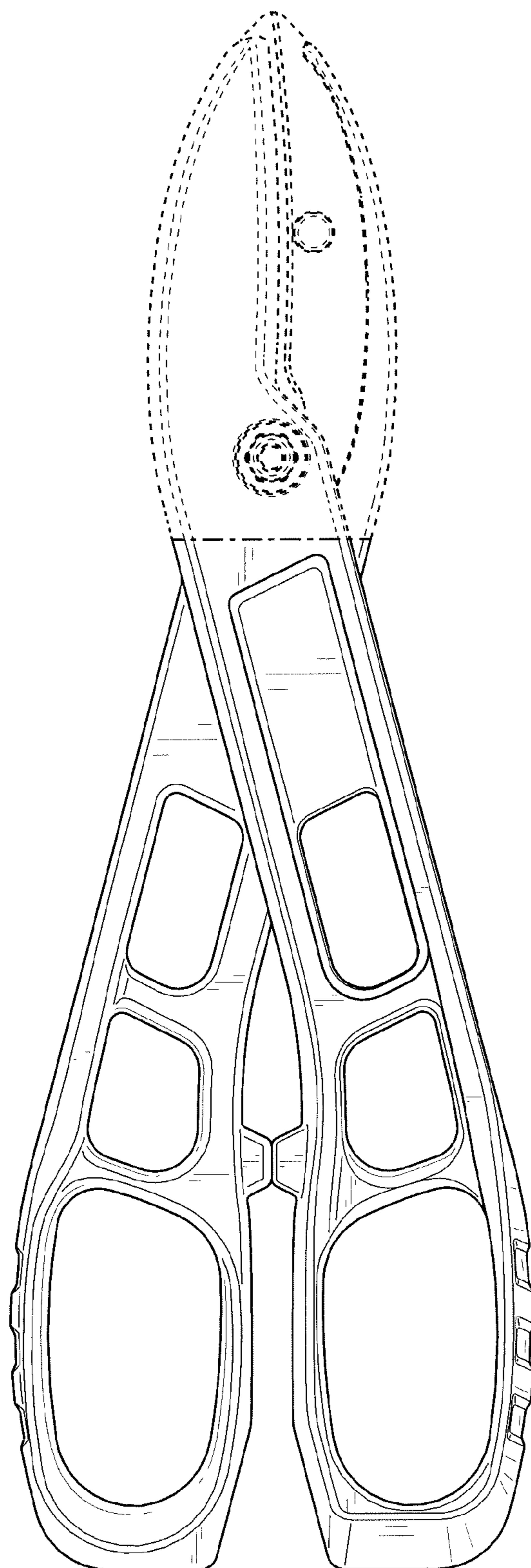


FIG. 3

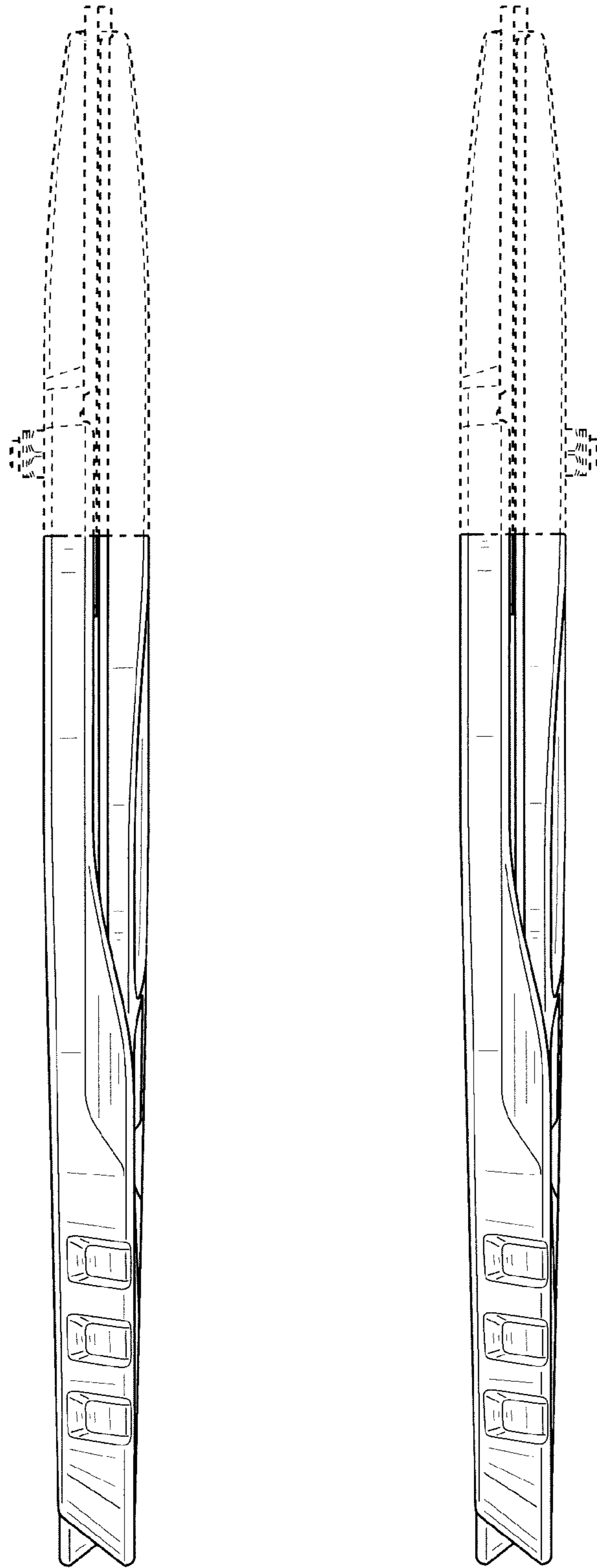


FIG. 4

FIG. 5

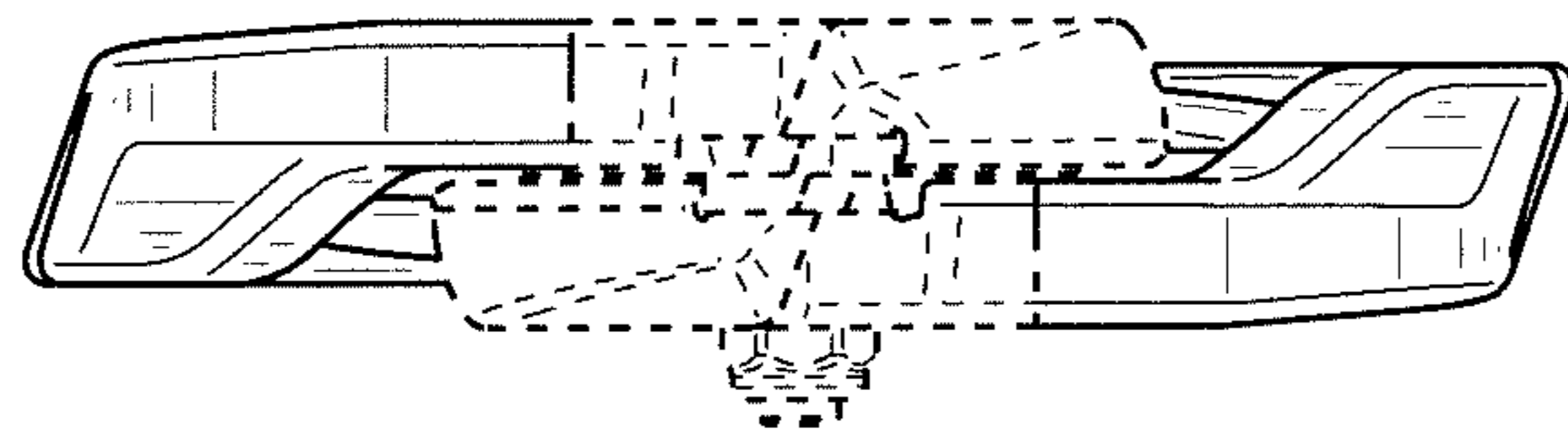


FIG. 6

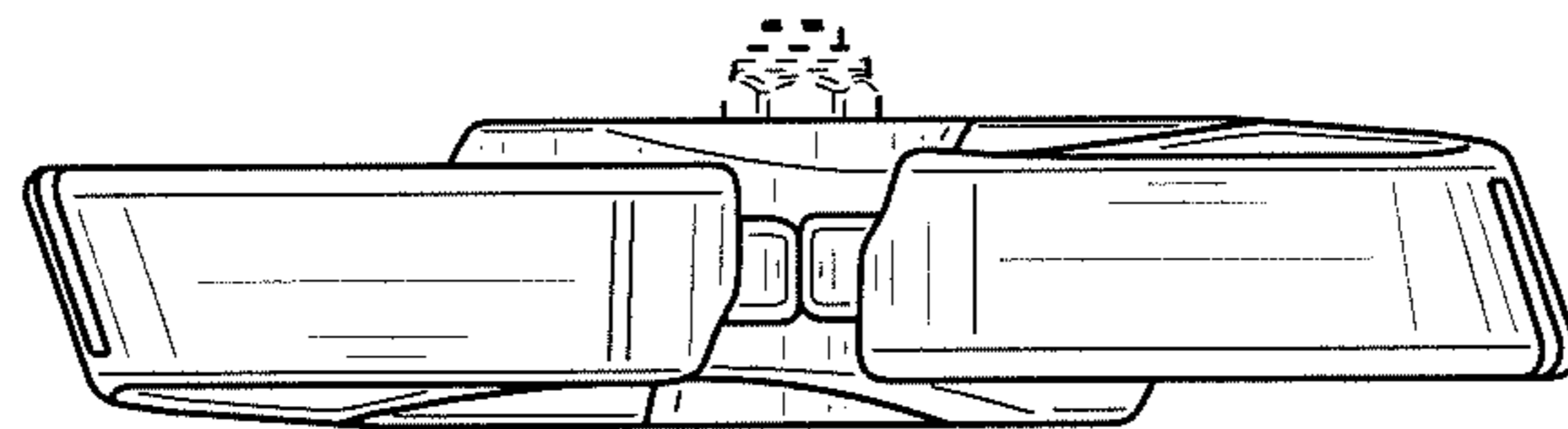


FIG. 7