

US00D763645S

(12) **United States Design Patent**
Rampling

(10) **Patent No.:** **US D763,645 S**

(45) **Date of Patent:** **** Aug. 16, 2016**

(54) **PLASTERING TOOL**

D297,801 S * 9/1988 Olsson D8/14
D298,300 S * 11/1988 Leray D32/49
D333,245 S * 2/1993 Griggs D8/45

(71) Applicant: **Scott Cutters Limited**, Marlow,
Buckinghamshire (GB)

(Continued)

(72) Inventor: **Scott Rampling**, Marlow (GB)

FOREIGN PATENT DOCUMENTS

(73) Assignee: **Scott Cutters Limited**, Marlow (GB)

EM 001786211-0001 7/2011
EM 002248591-0001 6/2013

(**) Term: **14 Years**

(Continued)

(21) Appl. No.: **29/508,790**

OTHER PUBLICATIONS

(22) Filed: **Nov. 11, 2014**

New SpeedSkim SF. Downloaded from <http://speedskim.co.uk/blog/breaking-news-the-new-speedskim-sf-is-finally-here/> on Jan. 10, 2016.*

(30) **Foreign Application Priority Data**

May 27, 2014 (EM) 002471797-0001

Primary Examiner — Philip S Hyder

(51) **LOC (10) Cl.** **08-05**

Assistant Examiner — Roselynn Cody

(52) **U.S. Cl.**

(74) *Attorney, Agent, or Firm* — Lewis Roca Rothgerber
Christie LLP

USPC **D8/45**

(58) **Field of Classification Search**

(57) **CLAIM**

USPC D8/14, 45; D32/40, 48, 49; 7/105;
15/236.01, 236.02, 245, 245.1; 30/169

The ornamental design for a plastering tool, as shown and
described.

CPC B05C 17/10; B25G 1/102; E04F 21/06;
E04F 21/162; E04F 21/163; E04F 21/165

DESCRIPTION

See application file for complete search history.

FIG. 1 is a front perspective view of the plastering tool;

FIG. 2 is a rear perspective view thereof;

FIG. 3 is a front view thereof;

FIG. 4 is a rear view thereof;

FIG. 5 is a top view thereof;

FIG. 6 is a bottom view thereof;

FIG. 7 is a left side view thereof; and,

FIG. 8 is a right side view thereof.

The diagonal broken lines in FIGS. 7 and 8 delineate the
boundary between claimed and unclaimed subject matter. All
other broken lines in the drawings are directed to portions of
the plastering tool that form no part of the claim.

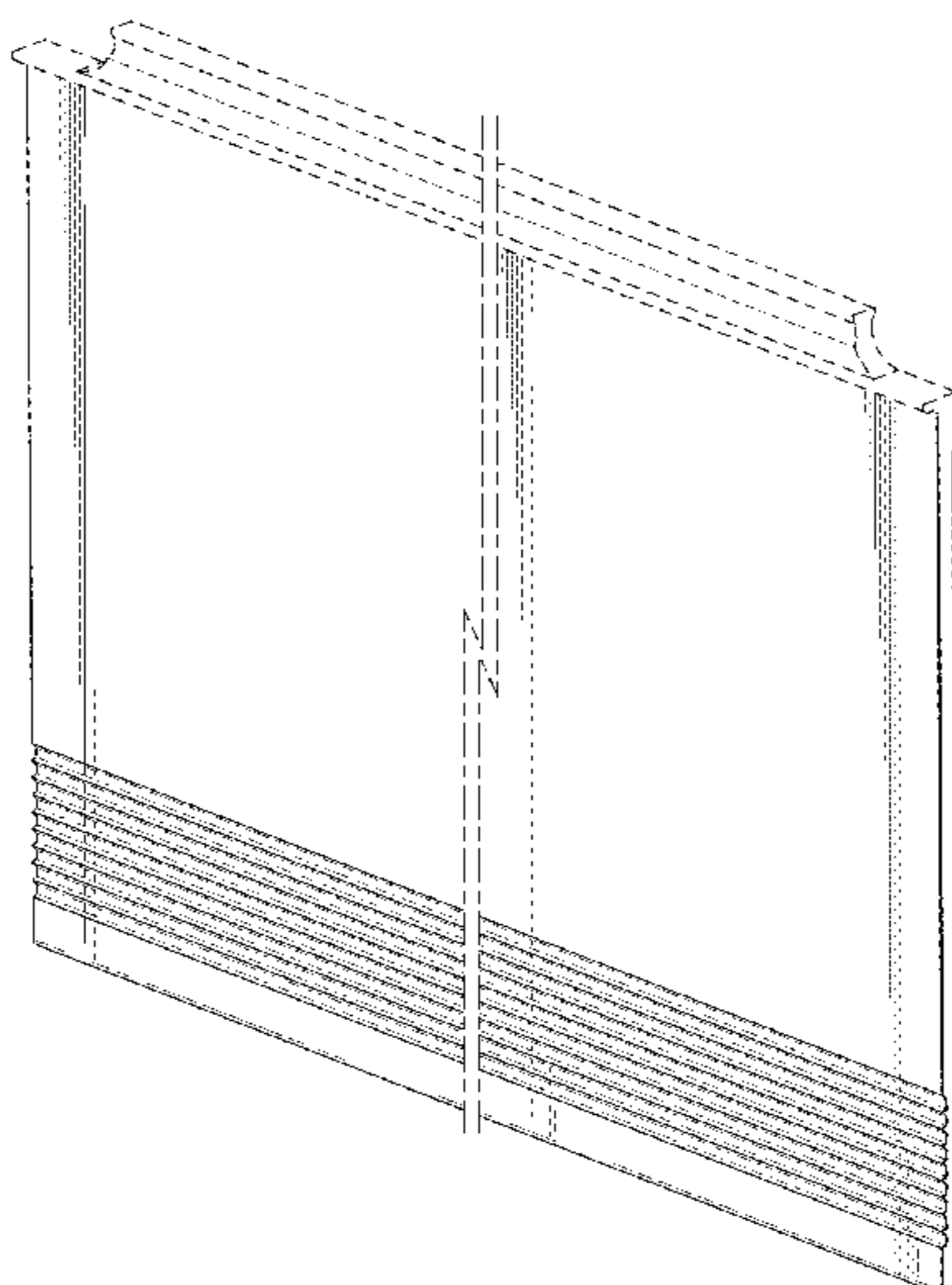
The plastering tool is shown with a symbolic break in its
length. The appearance of any portion of the article between
the break lines forms no part of the claimed design.

(56) **References Cited**

U.S. PATENT DOCUMENTS

D117,388 S * 10/1939 Woinarovicz D32/46
D157,904 S * 3/1950 Reusch D32/49
D169,837 S * 6/1953 Blander D32/46
D191,952 S * 12/1961 Whalen 15/235.4
3,069,713 A * 12/1962 Obraske E04F 21/06
15/235.4
D203,694 S * 2/1966 Gott D8/45
4,097,951 A * 7/1978 Hurtt B05C 17/10
15/144.1
D262,352 S * 12/1981 Fullerton 118/419
4,364,145 A * 12/1982 Jones A47L 1/06
15/236.02

1 Claim, 6 Drawing Sheets



(56)

References Cited

U.S. PATENT DOCUMENTS

D352,432 S * 11/1994 Monroe D32/41
5,850,663 A * 12/1998 Hardy A46B 5/02
15/143.1
D419,409 S * 1/2000 Stover, Jr. D8/45
D426,758 S * 6/2000 Mitchell D32/46
D428,315 S * 7/2000 Baker D8/14
6,606,758 B1 * 8/2003 Fridman E04F 21/162
15/235.6
7,458,127 B2 * 12/2008 Bruno A47L 13/022
15/143.1
8,800,112 B1 * 8/2014 Douglas B25G 3/32
16/421

D719,427 S * 12/2014 Hernandez D8/45
D735,545 S * 8/2015 Rampling D8/45
9,095,971 B1 * 8/2015 Douglas B25G 1/102
9,234,358 B2 * 1/2016 Harper E04F 21/16
2005/0072006 A1 * 4/2005 Lee E04F 21/165
30/169

FOREIGN PATENT DOCUMENTS

EM 002587485-0001 3/2014
WO WO 2013/001277 A2 1/2013
WO WO 2014/027177 A2 2/2014

* cited by examiner

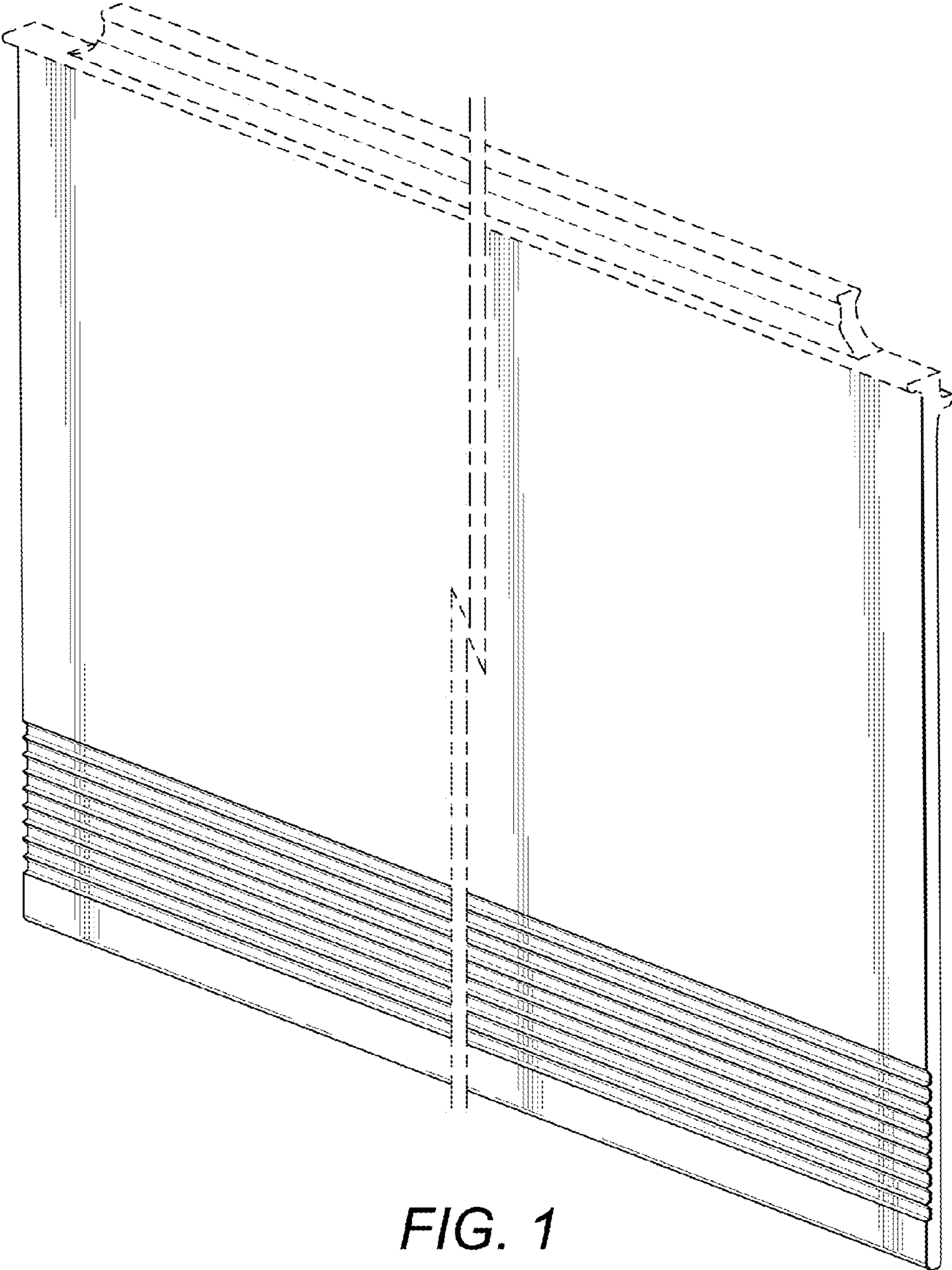


FIG. 1

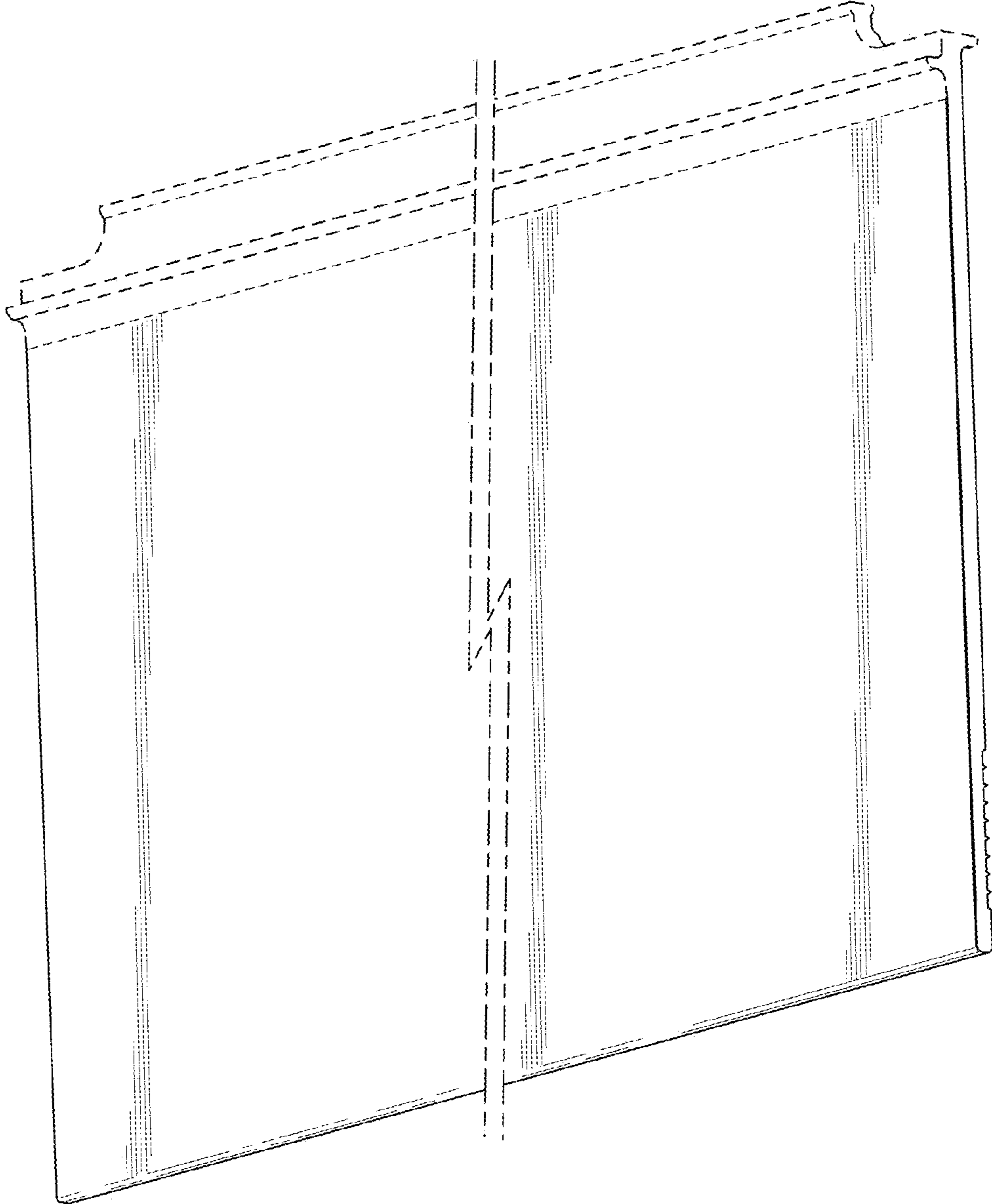


FIG. 2

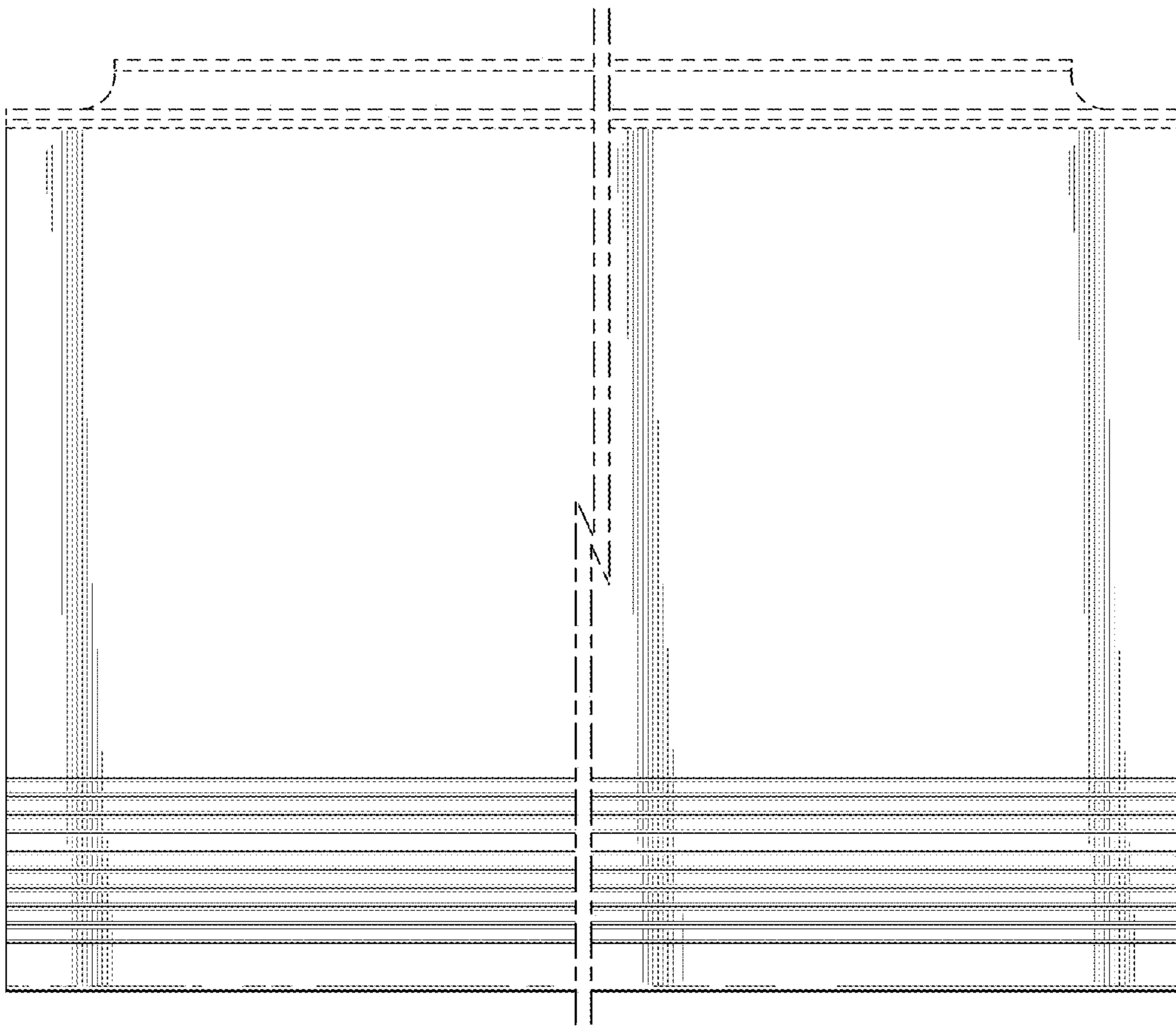


FIG. 3

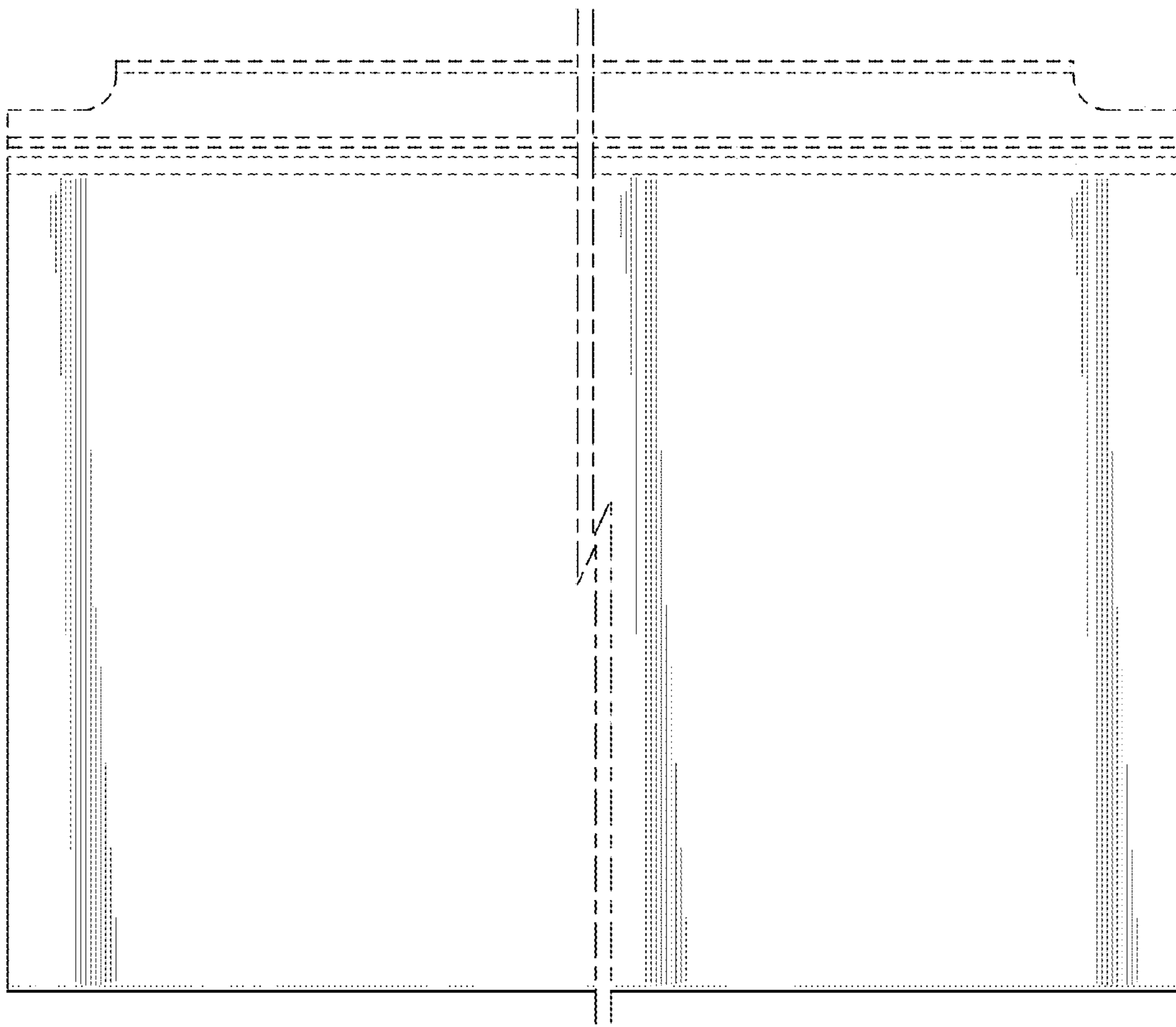


FIG. 4

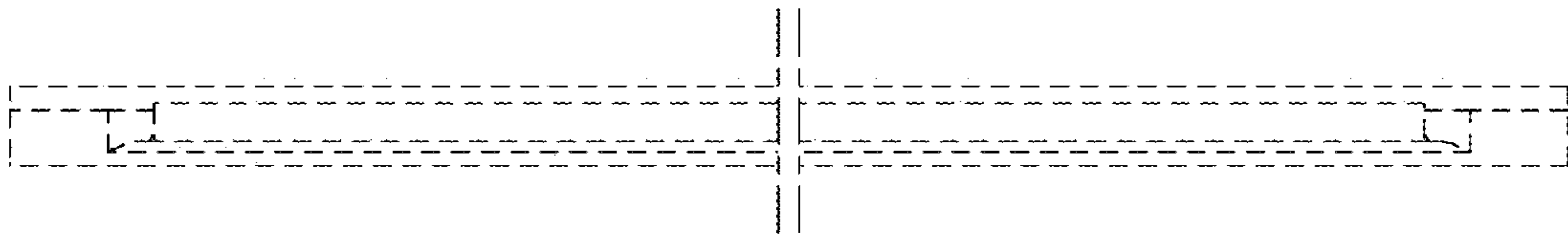


FIG. 5

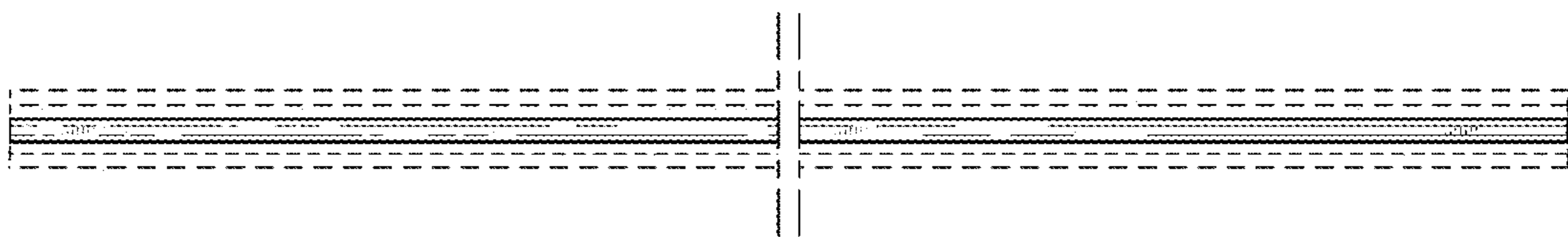


FIG. 6

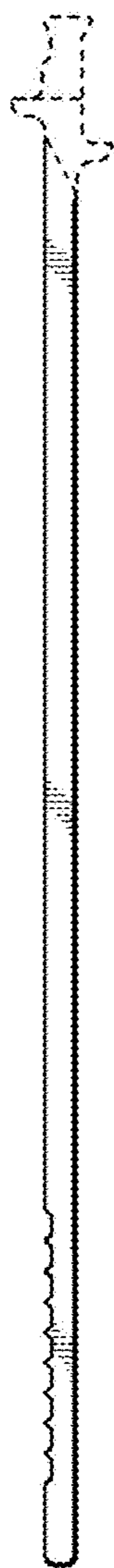


FIG. 7

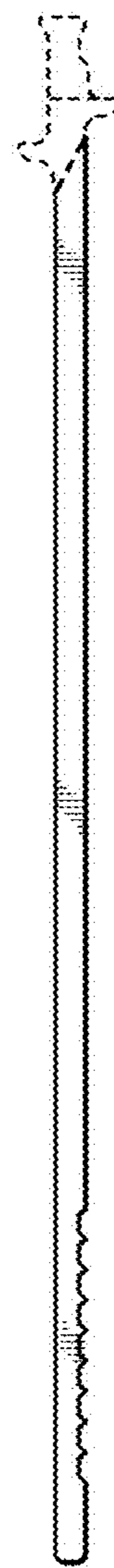


FIG. 8